

HAZ METAL
FIXING SYSTEMS

HMP-ALU-AG

SUB CHANNEL SYSTEM

Concept Drawings

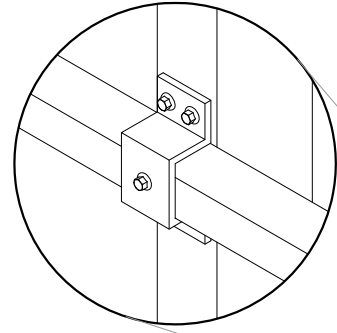
Series: HAZCD-HMP-ALU-AG-ST

Aluminum Support System For Rain
Screen Stone Cladding System with
Horizontal and Vertical Spanned Channels

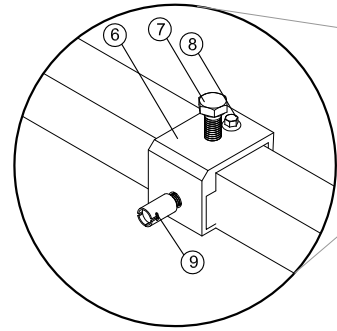


HMP-ALU-AG

SUB CHANNEL SYSTEM

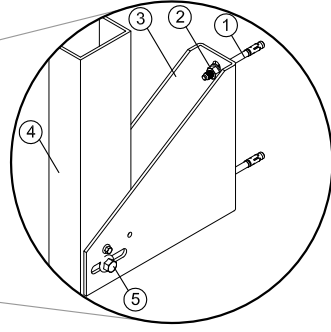


HCC-ALU Connection

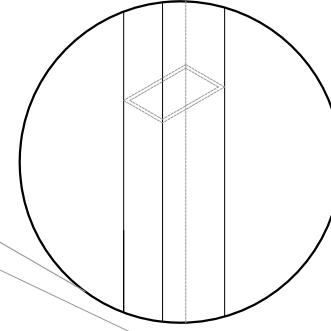


HM-AG-G Agraffe Support Bracket

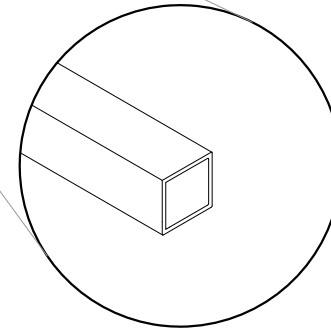
Legend	
1	Through Bolt
2	Round Washer
3	Anchor Body
4	Channel Support
5	Hex Bolt
6	Anchor Body
7	Adjustable Bolt
8	Screw-EJot
9	HAZ Super Bolt HB11
10	Channel Restraint Body



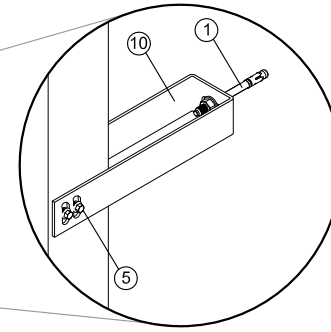
HCSP4-AL
Channel Support



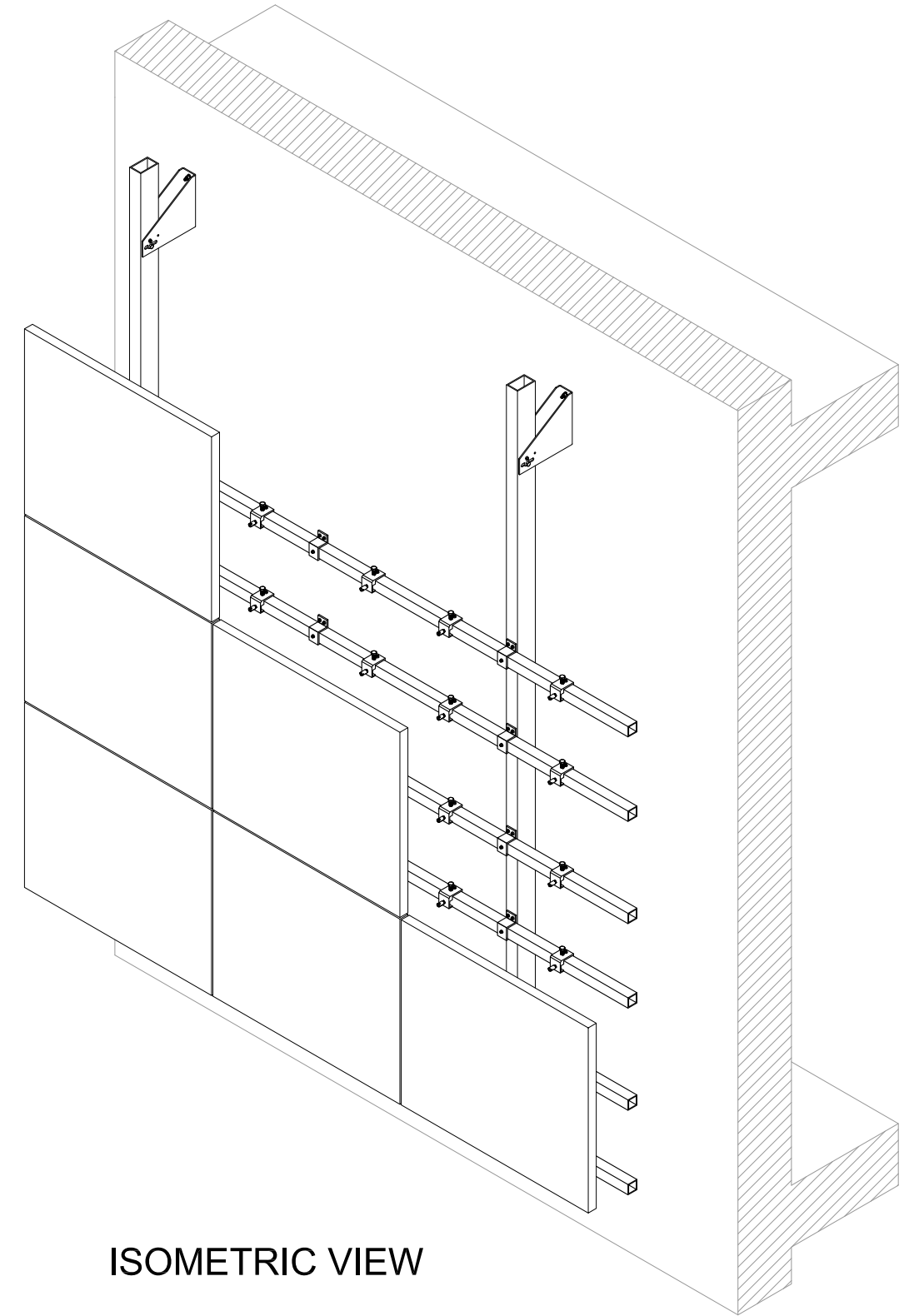
HMP-ALU-BV
Vertical Box channel



HMP-ALU-BV
Horizontal Box Channel



HCRS4-AL
Channel Restraint



ISOMETRIC VIEW



HAZ METAL Sanayi ve Ticaret A.S
PO Box 241 31200 Iskenderun / Turkey
Tel: +90 326 6262050 Faks: 6262045
info@hazmetal.com / www.hazmetal.com.

Title : Natural Stone Facade - Built-up Cavity Wall - HMP-ALU-AG

Drawing No. HAZCD-HMP-ALU-AG-ST-01

Series Concept Drawings - Natural Stone Fixing System - HMP-ALU Sub Channel System

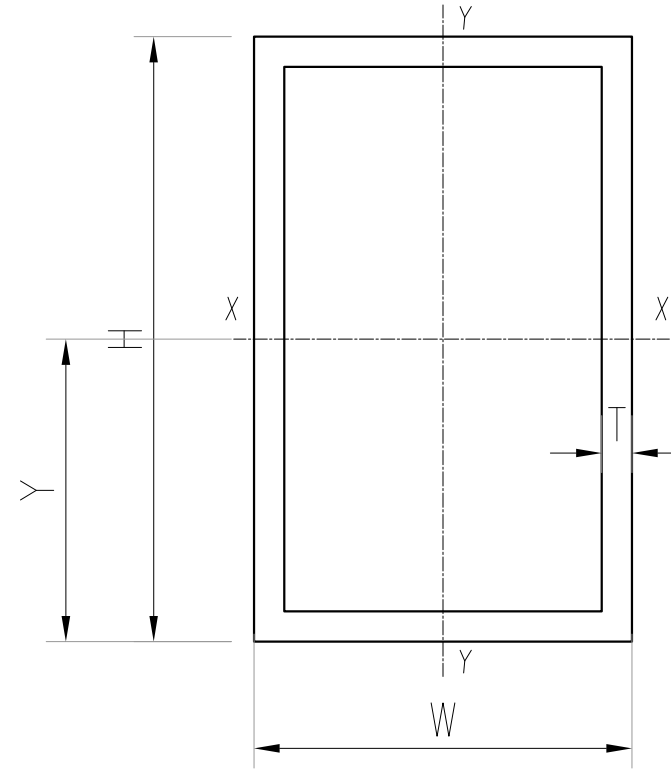
Revision	01	Scale	As Shown	Paper Size:	A3	Page :	1/16
----------	----	-------	----------	-------------	----	--------	------

HMP-ALU-BV

VERTICAL BOX CHANNEL



ISOMETRIC VIEW



Horizontal Section

Product Code	Technical Details								
	Dimensions			X-X Axis			Y-Y Axis		
	Thickness T(mm)	Width W(mm)	Height H(mm)	IXX (cm ⁴)	ZX (cm ³)	X (mm)	IYY (cm ⁴)	ZY (cm ³)	Y (mm)
HML-ALU-BV-60/50	3.00	60.00	50.00	32.26	10.75	25.00	24.17	9.66	30.00
HML-ALU-BV-80/50	4.00	80.00	50.00	82.70	20.67	25.00	38.88	15.55	40.00
HML-ALU-BV-100/50	4.00	100.00	50.00	144.13	28.83	25.00	47.37	18.95	50.00
HML-ALU-BV-120/50	5.00	120.00	50.00	276.33	46.05	25.00	66.33	26.53	60.00

- Material : Extruded Aluminum Grade 6063 T66 Mill finish and black anodizes.
- Tables above is prepared according to plain finish without drilled holes.
- Channels can be provided up to 6 meters length.

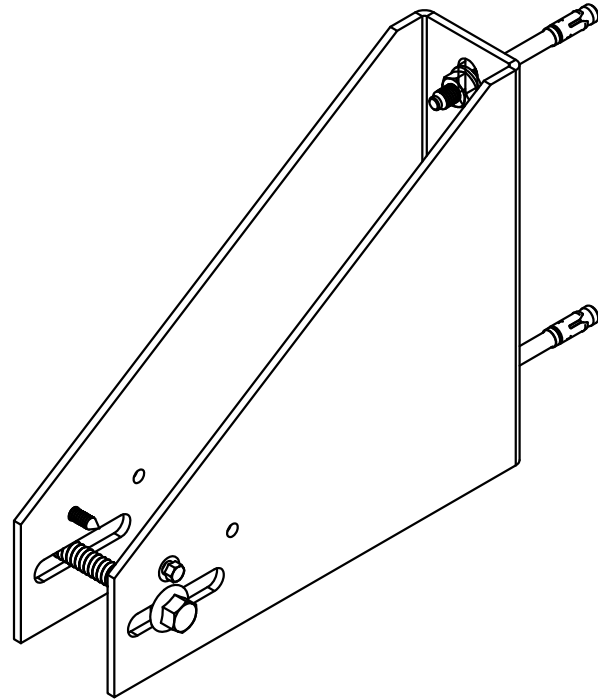


HAZ METAL Sanayi ve Ticaret A.S
 PO Box 241 31200 Iskenderun / Turkey
 Tel: +90 326 6262050 Faks: 6262045
 info@hazmetal.com / www.hazmetal.com.

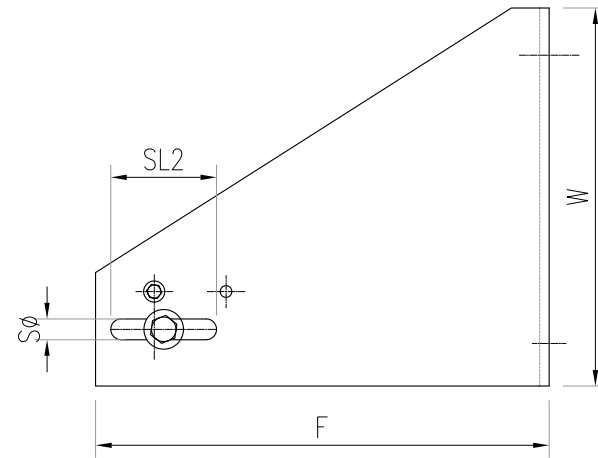
Title :		Natural Stone Facade - Built-up Cavity Wall - HML-ALU-RL Specification							
Drawing No.	HAZCD-HMP-ALU-AG-ST-02								
Series	Concept Drawings - Natural Stone Fixing System - HMP-ALU Sub Channel System								
Revision	01	Scale	As Shown	Paper Size:	A3	Page :	2/16		

HCSP4-AL

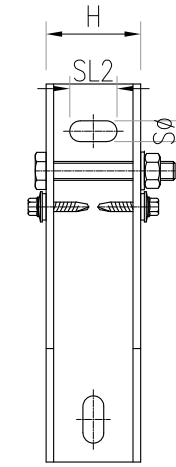
Channel Support



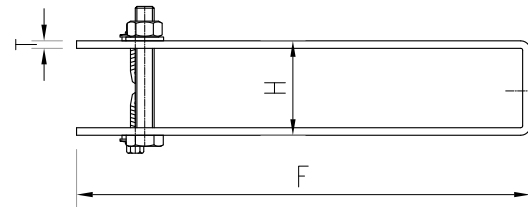
ISOMETRIC VIEW



Side View Scale 1:4



Elevation View Scale 1:4



Plan View Scale 1:4

Product Code	Technical Details						
	Width W(mm)	Height H(mm)	Forming F (mm)	Self tabbing screw	Expansion Bolt	Max. Load (N)	Max. Wind Load (N)
HCSP4-AL-100	50	175	100	M10 x 70	M10 x 90	2500	2000
HCSP4-AL-120	50	175	120				
HCSP4-AL-140	50	175	140				
HCSP4-AL-160	50	195	160				
HCSP4-AL-180	50	195	180				
HCSP4-AL-210	50	195	210				
HCSP4-AL-240	50	195	240				
HCSP4-AL-270	50	215	270				
HCSP4-AL-300	50	215	300				

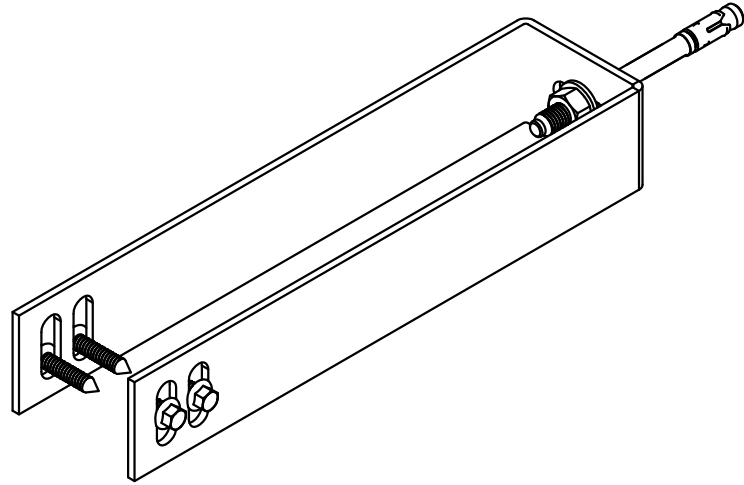


HAZ METAL Sanayi ve Ticaret A.S
 PO Box 241 31200 Iskenderun / Turkey
 Tel: +90 326 6262050 Faks: 6262045
 info@hazmetal.com / www.hazmetal.com.

Title : Natural Stone Facade - Built-up Cavity Wall - HMP-ALU-AG System - HCSP4-AL Specification							
Drawing No.		HAZCD-HMP-ALU-AG-ST-03					
Series		Concept Drawings - Natural Stone Fixing System - HMP-ALU Sub Channel System					
Revision		01	Scale	As Shown	Paper Size: A3	Page :	3/16

HCRS4-AL

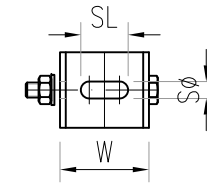
Channel Restraint



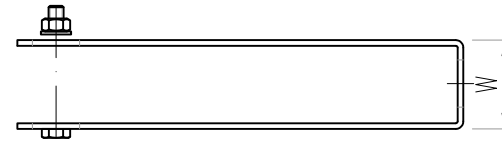
ISOMETRIC VIEW



Side View Scale 1:4



Elevation View Scale 1:4



Plan View Scale 1:4

Product Code	Technical Details								
	Thickness T(mm)	Width W(mm)	Height H(mm)	Forming F (mm)	Slot Hole Dia. S Ø(mm)	Slot Hole length SL(mm)	Hole Dia. SØ2(mm)	Slot Hole length SL2(mm)	Max. Wind Load (N)
HCRS4-AL-100	3	50	40	100	9	25	9	25	2000
HCRS4-AL-120	3	50	40	120	9	25	9	25	
HCRS4-AL-140	4	50	40	140	9	25	9	25	
HCRS4-AL-160	4	50	40	160	9	25	9	25	
HCRS4-AL-180	5	50	40	180	9	25	9	25	
HCRS4-AL-210	5	50	40	210	9	25	9	25	
HCRS4-AL-240	5	50	40	240	9	25	9	25	
HCRS4-AL-270	5	50	40	270	9	25	9	25	
HCRS4-AL-300	5	50	40	300	9	25	9	25	

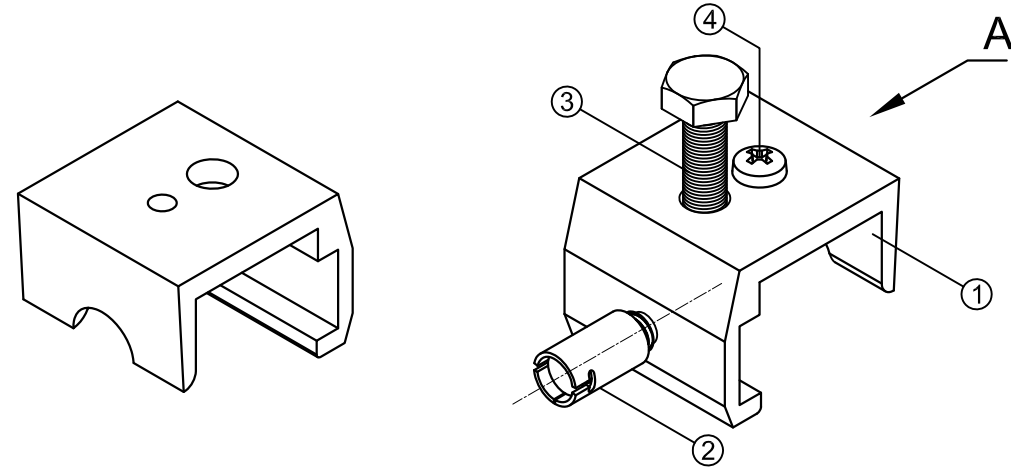


HAZ METAL Sanayi ve Ticaret A.S
 PO Box 241 31200 Iskenderun / Turkey
 Tel: +90 326 6262050 Faks: 6262045
 info@hazmetal.com / www.hazmetal.com.

Title : Natural Stone Facade - Built-up Cavity Wall - HMP-ALU-AG System- HCRS4-AL Specification					
Drawing No.	HAZCD-HMP-ALU-AG-ST-04				
Series	Concept Drawings - Natural Stone Fixing System - HMP-ALU Sub Channel System				
Revision	01	Scale	As Shown	Paper Size: A3	Page : 4/16

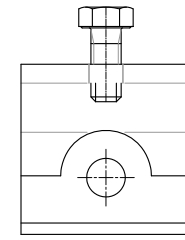
HM-AG-G

Agraffe Bracket

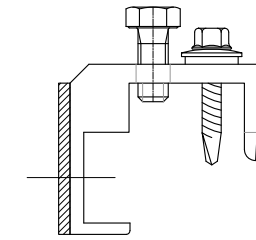


VIEW A

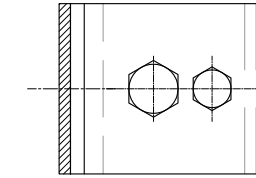
ISOMETRIC VIEW



Back View Scale 1:2



Side View Scale 1:2



Plan View Scale 1:2

Legend	
1	Agraffe 2 (5x40x44/33)
2	HB11- Super Bolt
3	Bolt (M8x25)
4	Self Drill Bolt (DIN 7504 (M6)

Product Code	Technical Details				
	Dimensions			Loads	
	Thickness T(mm)	Width W(mm)	Height H(mm)	Dead Load Capacity (N)	Wind Load Capacity (N)
HM-AG-G	Variable	45	45	400	316



Title : Natural Stone Facade - Built-up Cavity Wall - HMP-ALU-AG System- HM-AG-G Specification

Drawing No. HAZCD-HMP-ALU-AG-ST-05

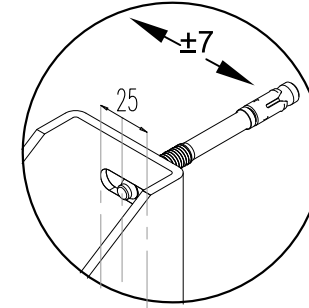
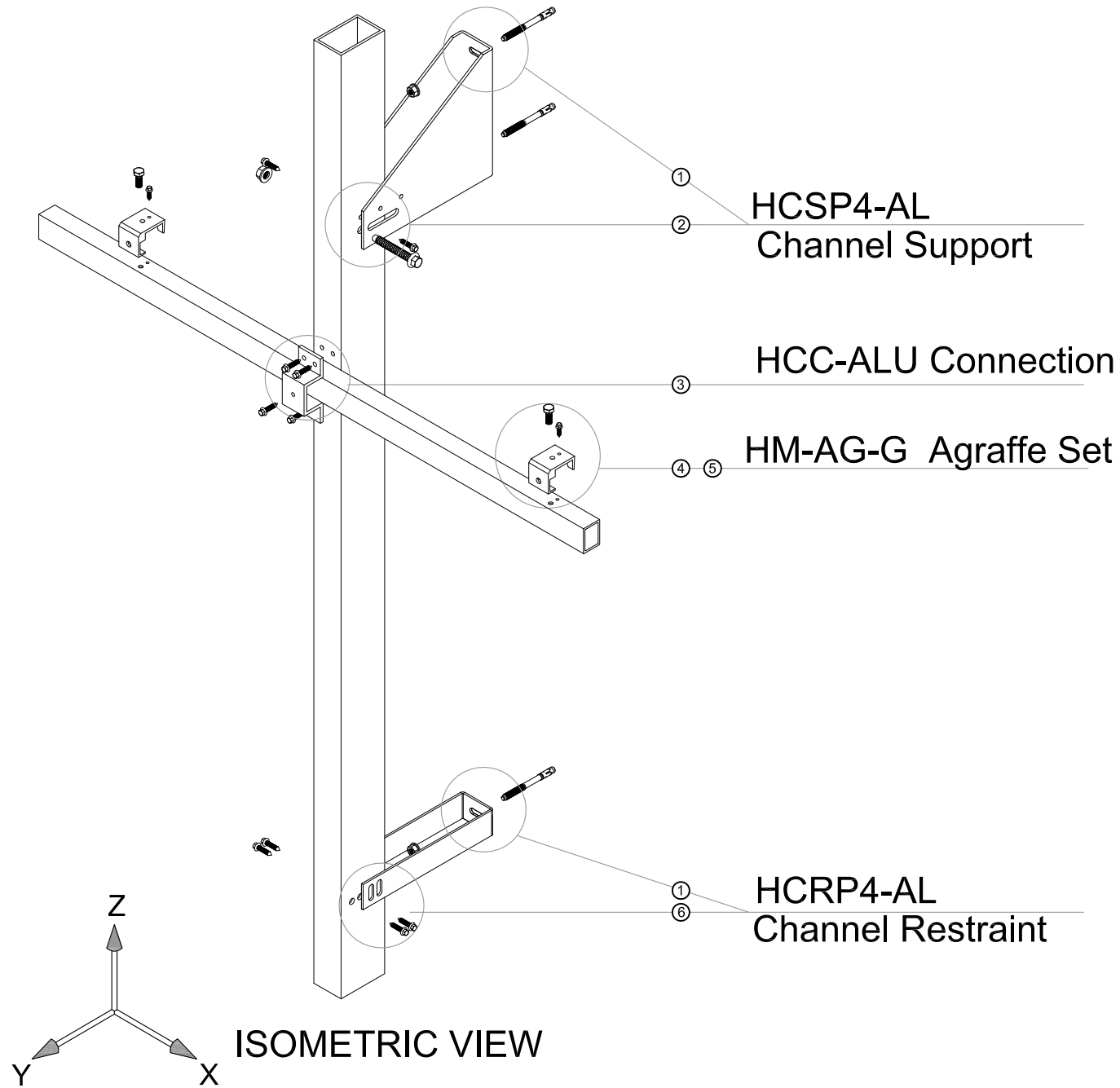
Series Concept Drawings - Natural Stone Fixing System - HMP-ALU Sub Channel System

Revision 01 Scale As Shown Paper Size: A3 Page : 5/16

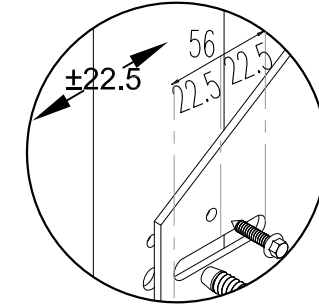
HAZ METAL Sanayi ve Ticaret A.S
PO Box 241 31200 Iskenderun / Turkey
Tel: +90 326 6262050 Faks: 6262045
info@hazmetal.com / www.hazmetal.com.

HMP-ALU-AG

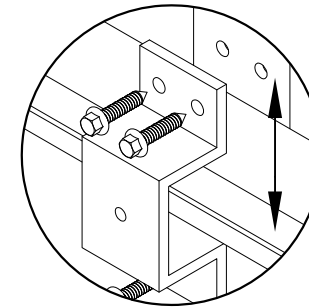
SUB CHANNEL SYSTEM



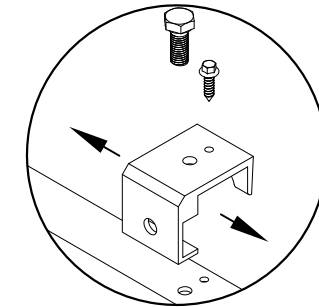
① The Adjustability on the X axis is Provided by Slotted hole ± 7 mm .



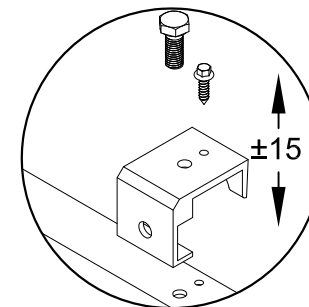
② The Adjustability on the Y axis for a projection is Provided by Slotted hole ± 22.5 mm .



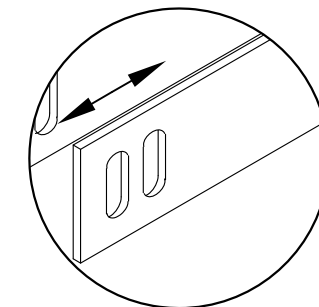
③ Adjustment of the Horizontal Channel Up and Down on the Z Axis is provided by drilling hole on Vertical Channel with Channel connection .



④ Adjustment of the Anchor Left and Right on the X Axis is provided by Sliding the Body Anchor along Horizontal Channel .



⑤ Adjustment of the Anchor Left and Right on the Z Axis is provided by rotating the adjustable Bolt ± 15 mm.



⑥ Adjustment of the Projection size on the Y Axis is provided by 2 slotted holes .

Note: For Further Dimension Refer to Each Items Details Drawings.

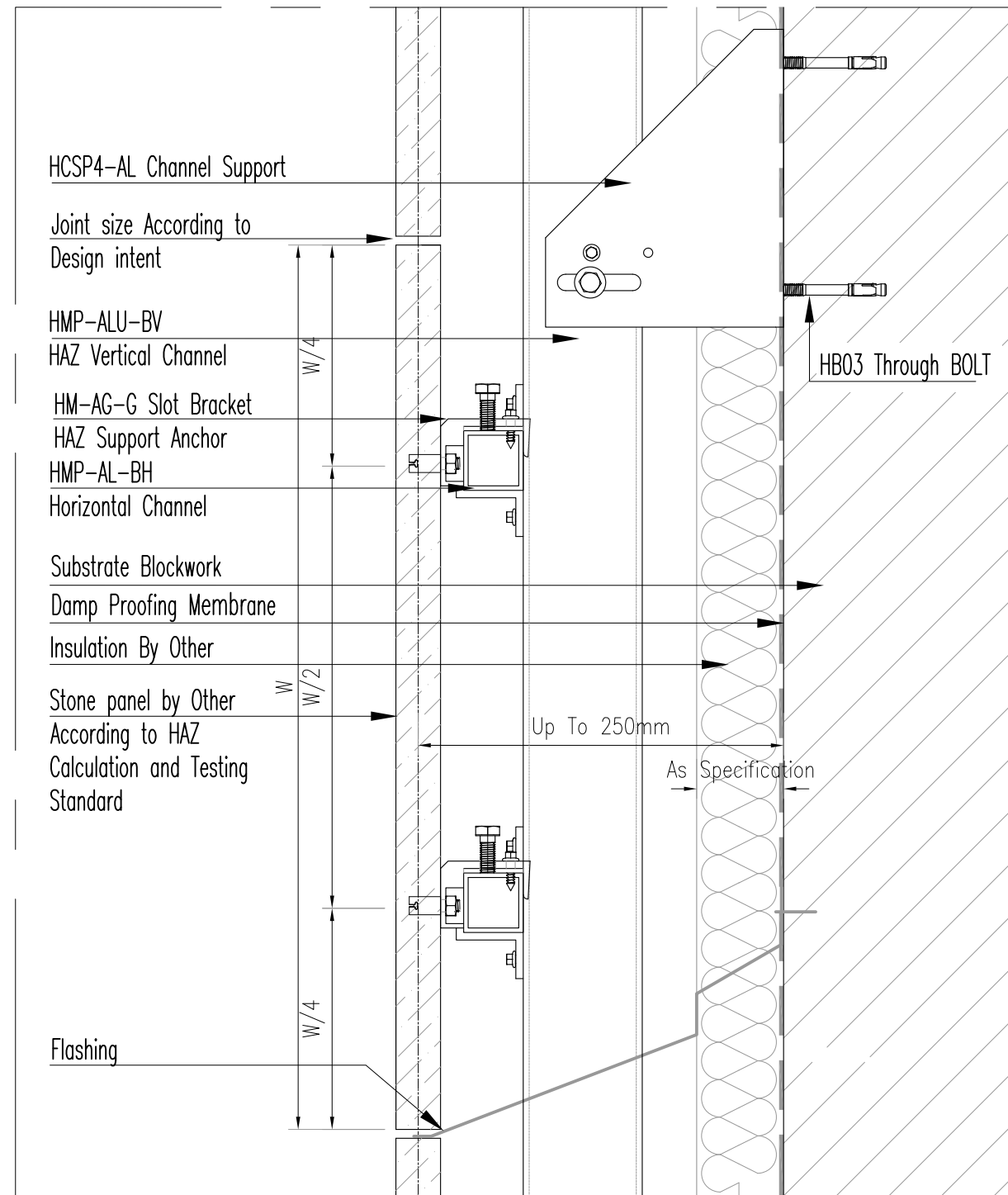


HAZ METAL Sanayi ve Ticaret A.S
PO Box 241 31200 Iskenderun / Turkey
Tel: +90 326 6262050 Faks: 6262045
info@hazmetal.com / www.hazmetal.com.

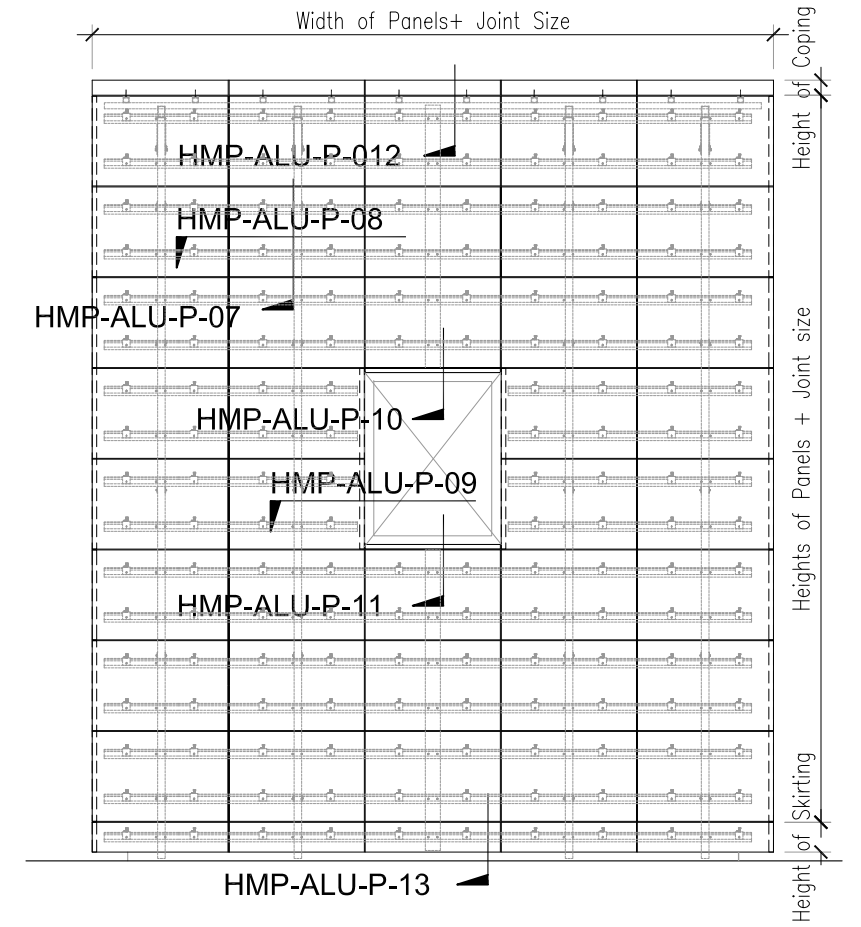
Title : Natural Stone Facade - Built-up Cavity Wall - HMP-ALU-AG System - Adjustability					
Drawing No.		HAZCD-HMP-ALU-AG-ST-05			
Series		Concept Drawings - Natural Stone Fixing System - HMP-ALU Sub Channel System			
Revision	01	Scale	As Shown	Paper Size: A3	Page : 6/16

HMP-ALU-AG

SUB CHANNEL SYSTEM



Vertical section Scale 1:4



Elevation Scale 1:50

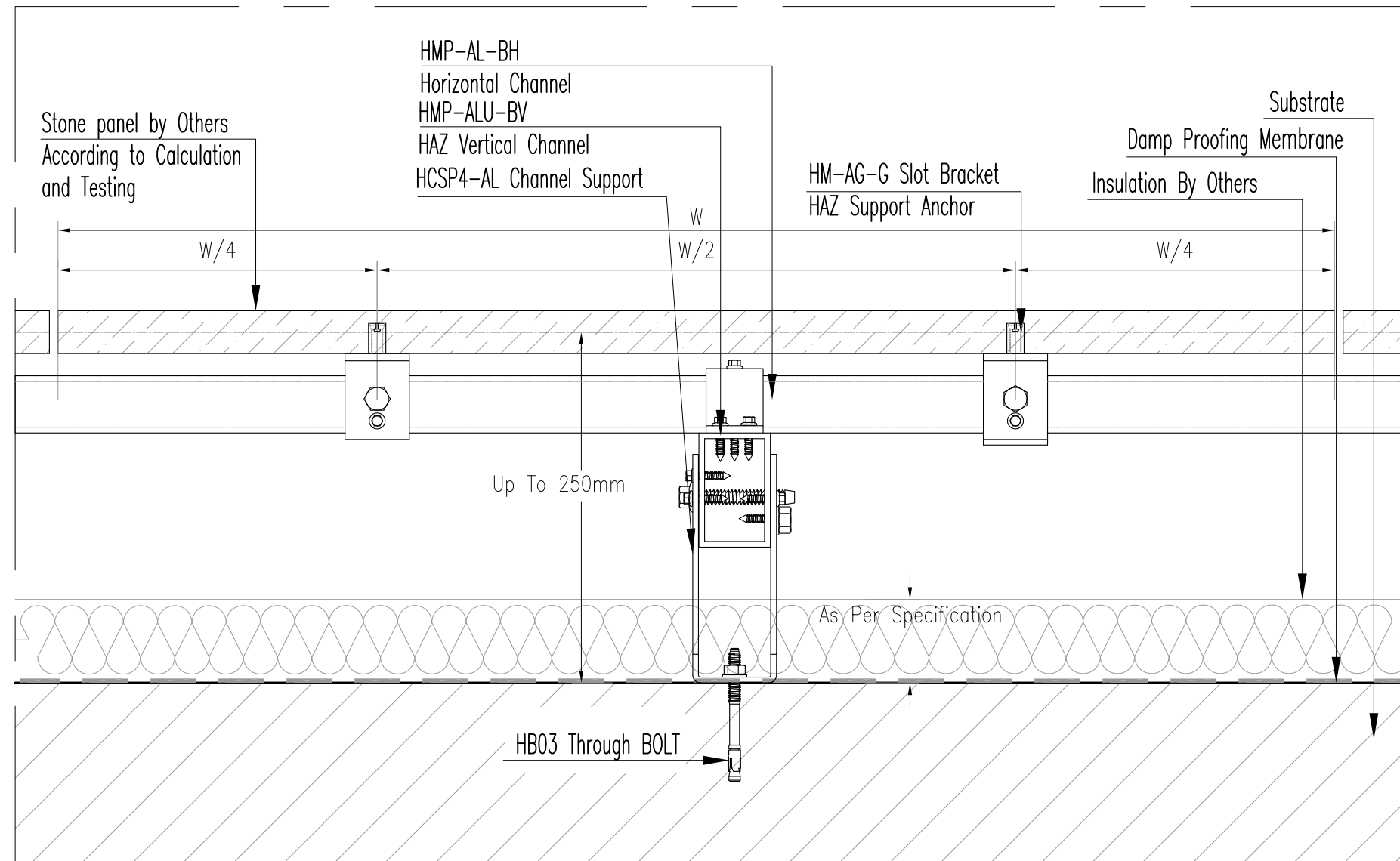


Title : Typical Stone Claddings - HMP-ALU-AG System - Vertical Section					
Drawing No.		HAZCD-HMP-ALU-AG-ST-07			
Series		Concept Drawings - Natural Stone Fixing System - HMP-ALU Sub Channel System			
Revision		01	Scale	As Shown	Paper Size: A3
					Page : 7/16

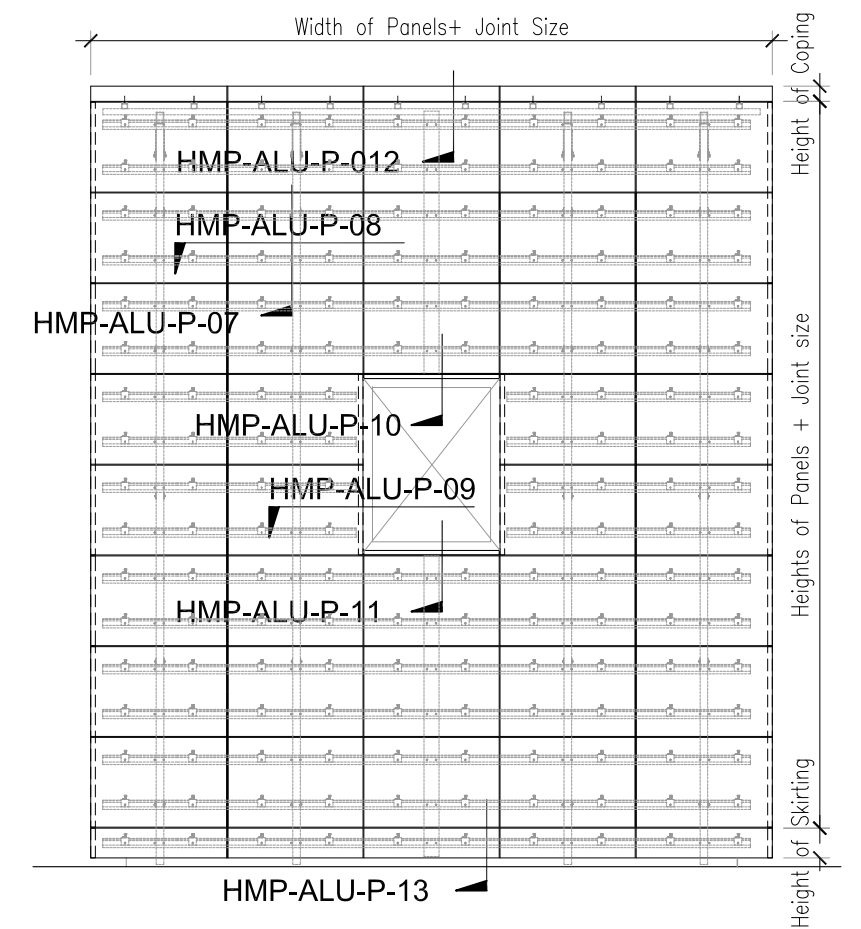
HAZ METAL Sanayi ve Ticaret A.S
 PO Box 241 31200 Iskenderun / Turkey
 Tel: +90 326 6262050 Faks: 6262045
 info@hazmetal.com / www.hazmetal.com.

HMP-ALU-AG

SUB CHANNEL SYSTEM



Horizontal section Scale 1:4



Elevation Scale 1:50



Title : HMP-ALU-AG System - Typical Stone Claddings - Horizontal Section

Drawing No. HAZCD-HMP-ALU-AG-ST-08

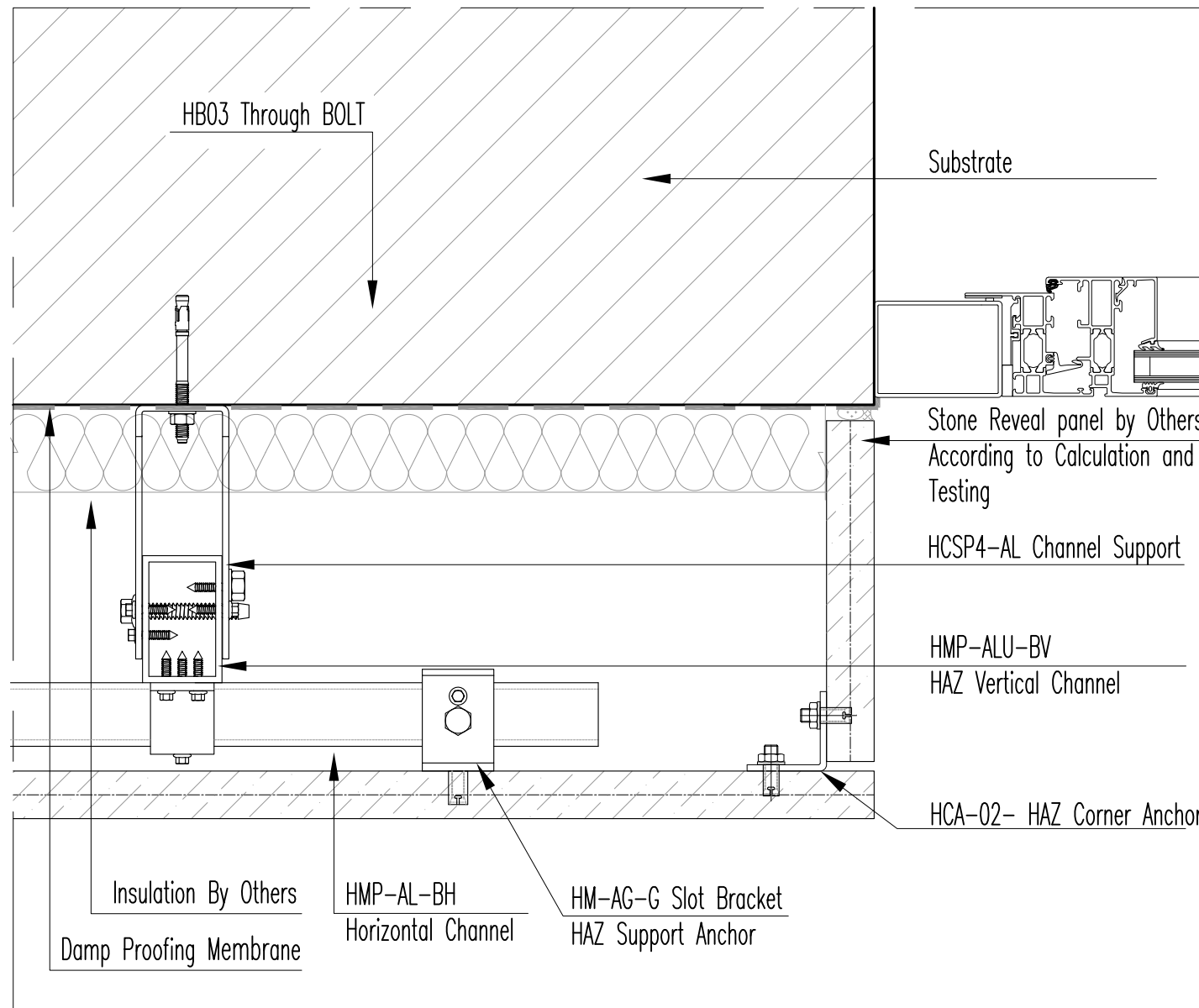
Series Concept Drawings - Natural Stone Fixing System - HMP-ALU Sub Channel System

Revision	01	Scale	As Shown	Paper Size:	A3	Page :	8/16
----------	----	-------	----------	-------------	----	--------	------

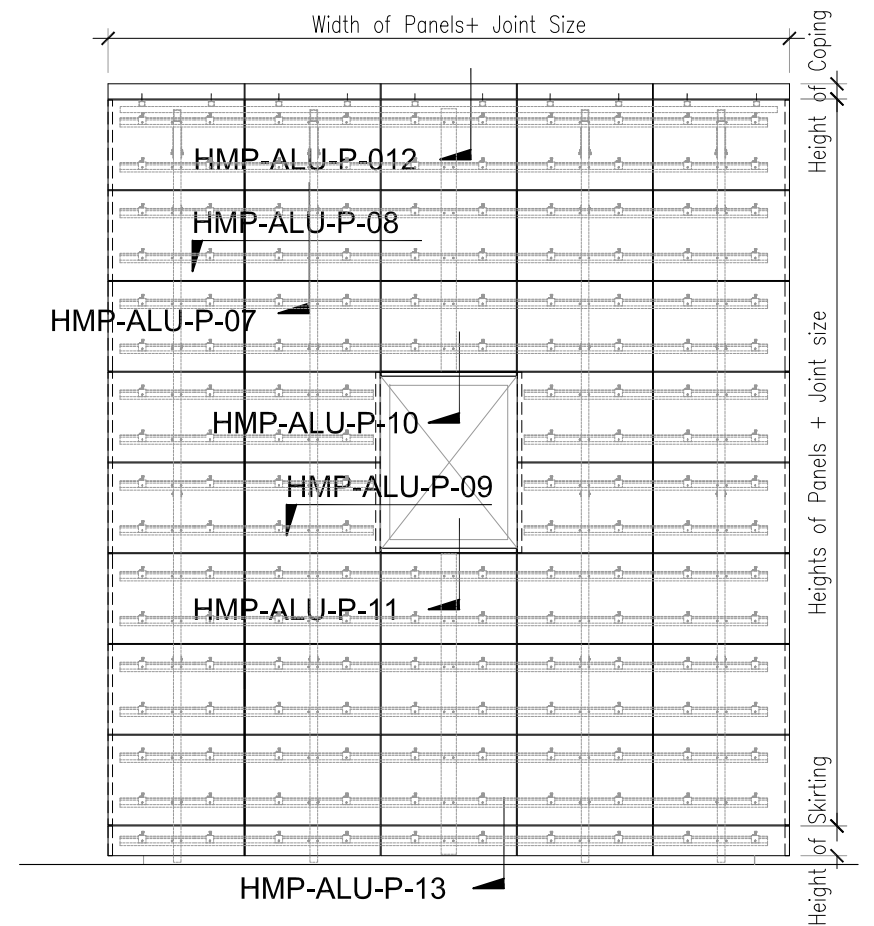
HAZ METAL Sanayi ve Ticaret A.S
 PO Box 241 31200 Iskenderun / Turkey
 Tel: +90 326 6262050 Faks: 6262045
 info@hazmetal.com / www.hazmetal.com.

HMP-ALU-AG

SUB CHANNEL SYSTEM



Horizontal section Scale 1:4



Elevation Scale 1:50



Title : HMP-ALU-AG System - Stone Reveal - Horizontal Section

Drawing No. HAZCD-HMP-ALU-AG-ST-09

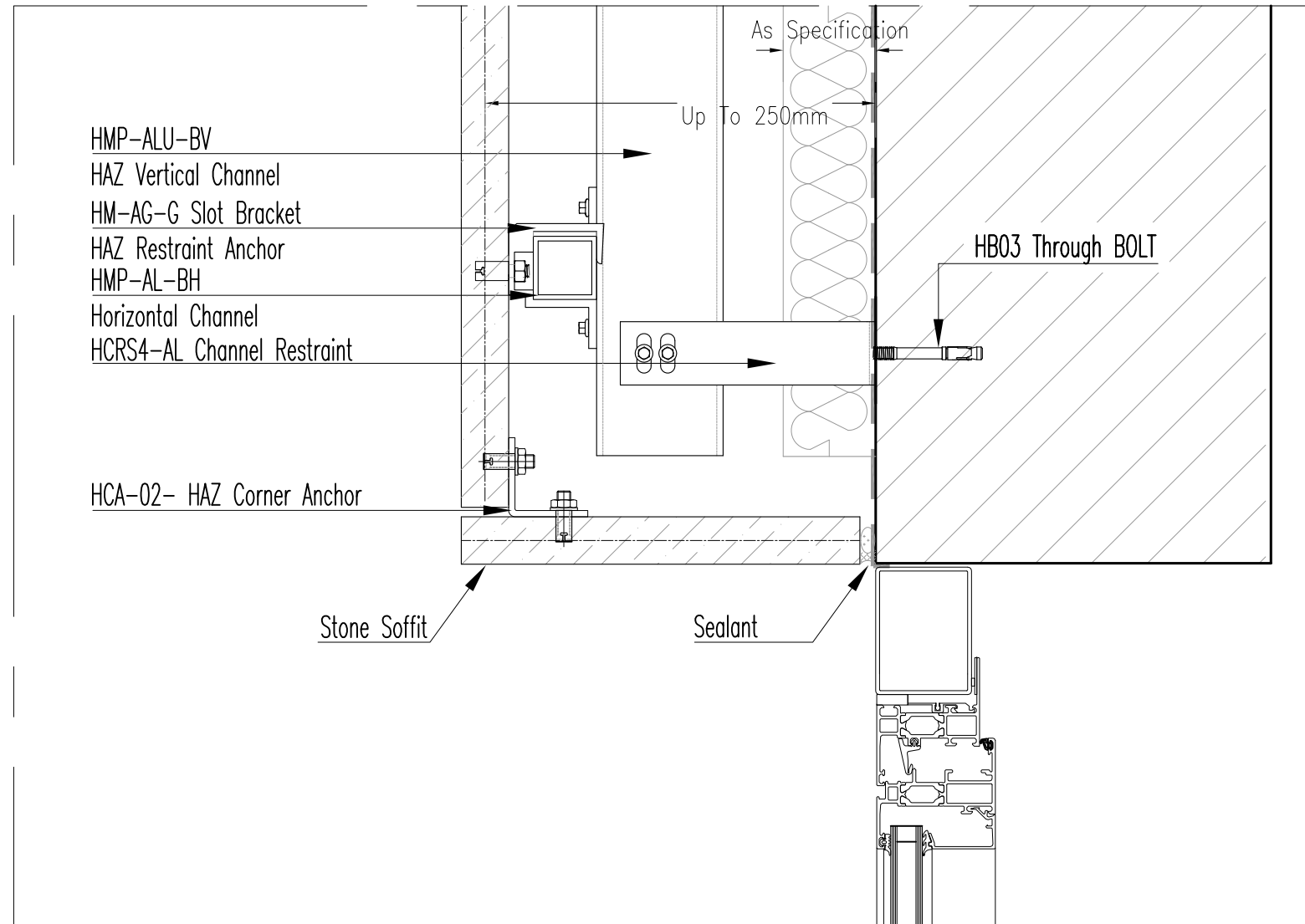
Series Concept Drawings - Natural Stone Fixing System - HMP-ALU Sub Channel System

Revision	01	Scale	As Shown	Paper Size:	A3	Page :	9/16
----------	----	-------	----------	-------------	----	--------	------

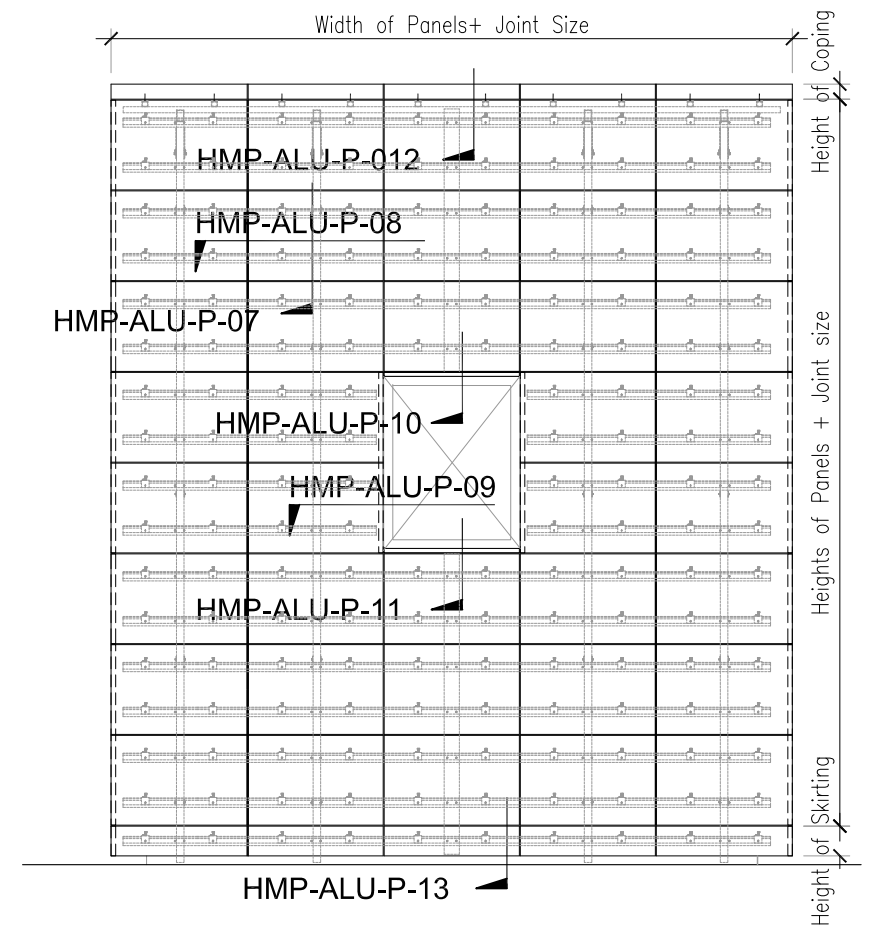
HAZ METAL Sanayi ve Ticaret A.S
 PO Box 241 31200 Iskenderun / Turkey
 Tel: +90 326 6262050 Faks: 6262045
 info@hazmetal.com / www.hazmetal.com.

HMP-ALU-AG

SUB CHANNEL SYSTEM



Vertical section Scale 1:4



Elevation Scale 1:50



Title : HMP-ALU-AG System - Stone Soffit - Vertical Section

Drawing No. HAZCD-HMP-ALU-AG-ST-10

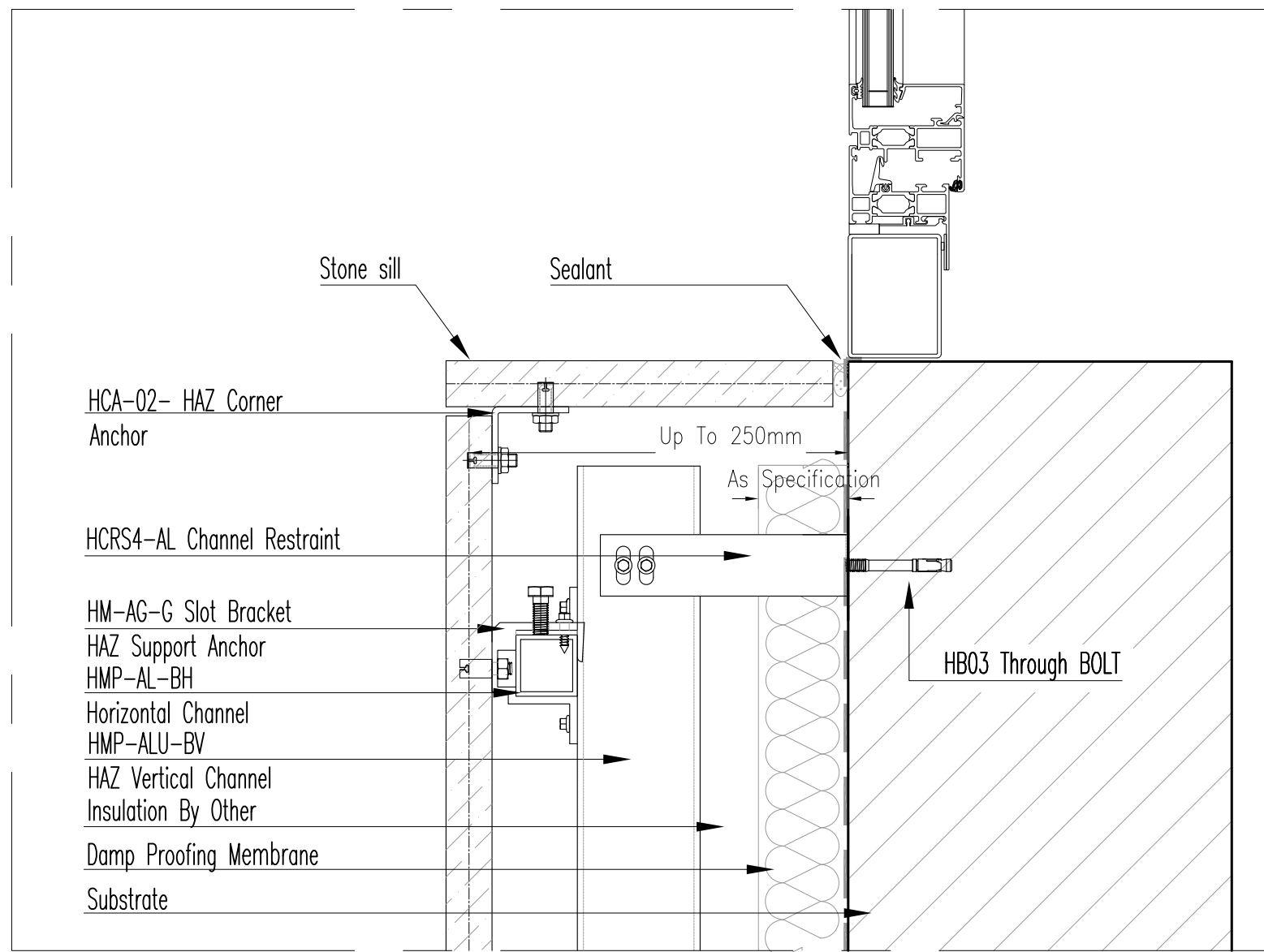
Series Concept Drawings - Natural Stone Fixing System - HMP-ALU Sub Channel System

Revision	01	Scale	As Shown	Paper Size:	A3	Page :	10/16
----------	----	-------	----------	-------------	----	--------	-------

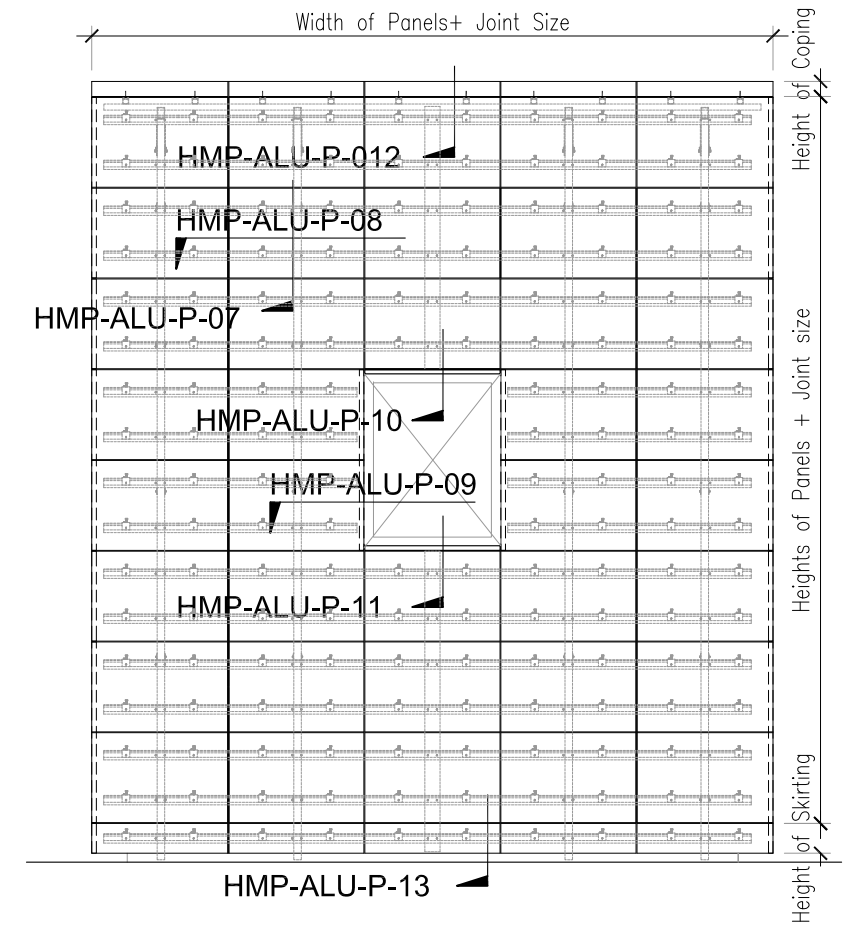
HAZ METAL Sanayi ve Ticaret A.S
 PO Box 241 31200 Iskenderun / Turkey
 Tel: +90 326 6262050 Faks: 6262045
 info@hazmetal.com / www.hazmetal.com.

HMP-ALU-AG

SUB CHANNEL SYSTEM



Vertical section Scale 1:4



Elevation Scale 1:50



Title : HMP-ALU-AG System - Stone Sill - Vertical Section

Drawing No. HAZCD-HMP-ALU-AG-ST-11

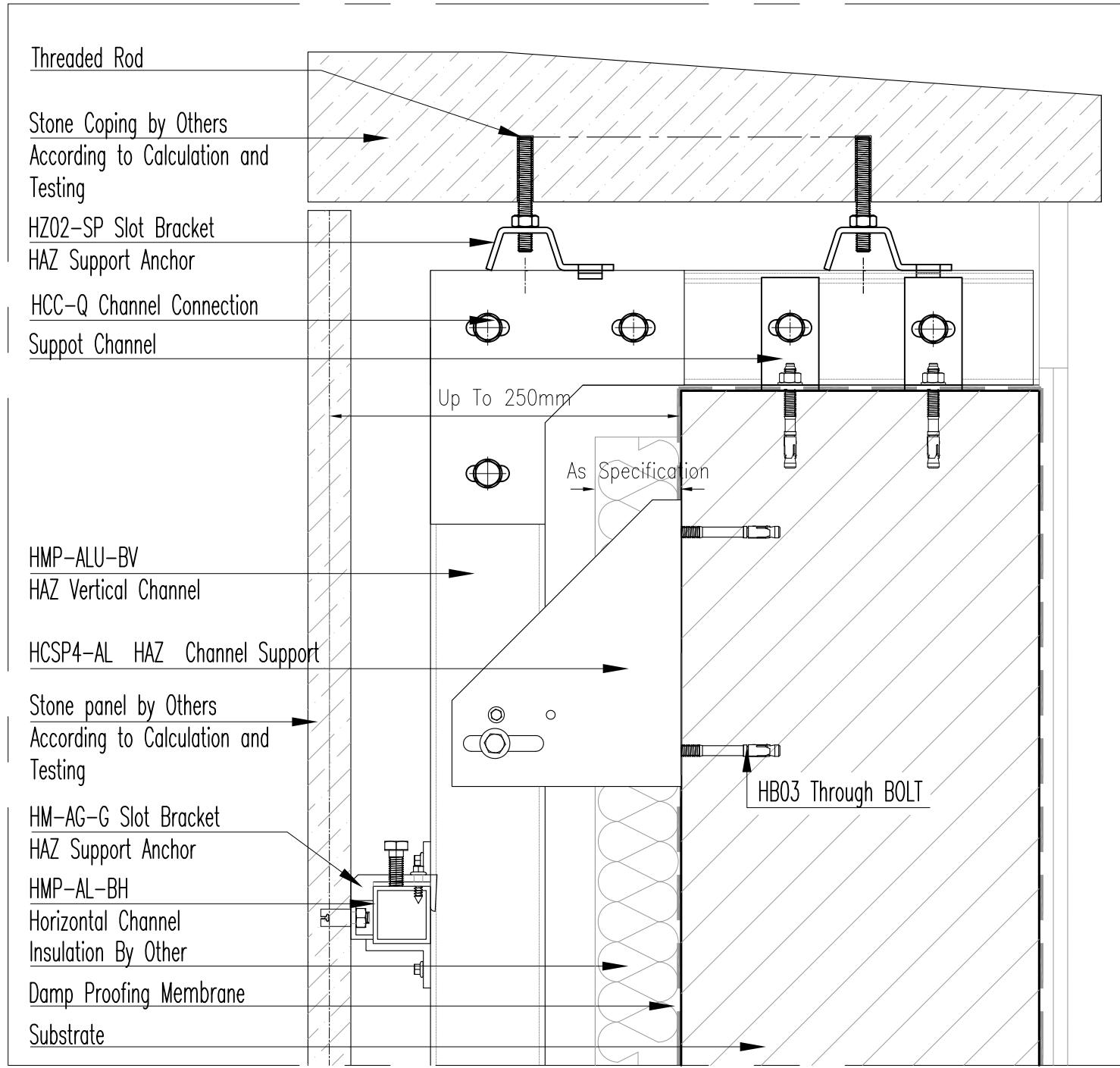
Series Concept Drawings - Natural Stone Fixing System - HMP-ALU Sub Channel System

Revision	01	Scale	As Shown	Paper Size: A3	Page :	11/16
----------	----	-------	----------	----------------	--------	-------

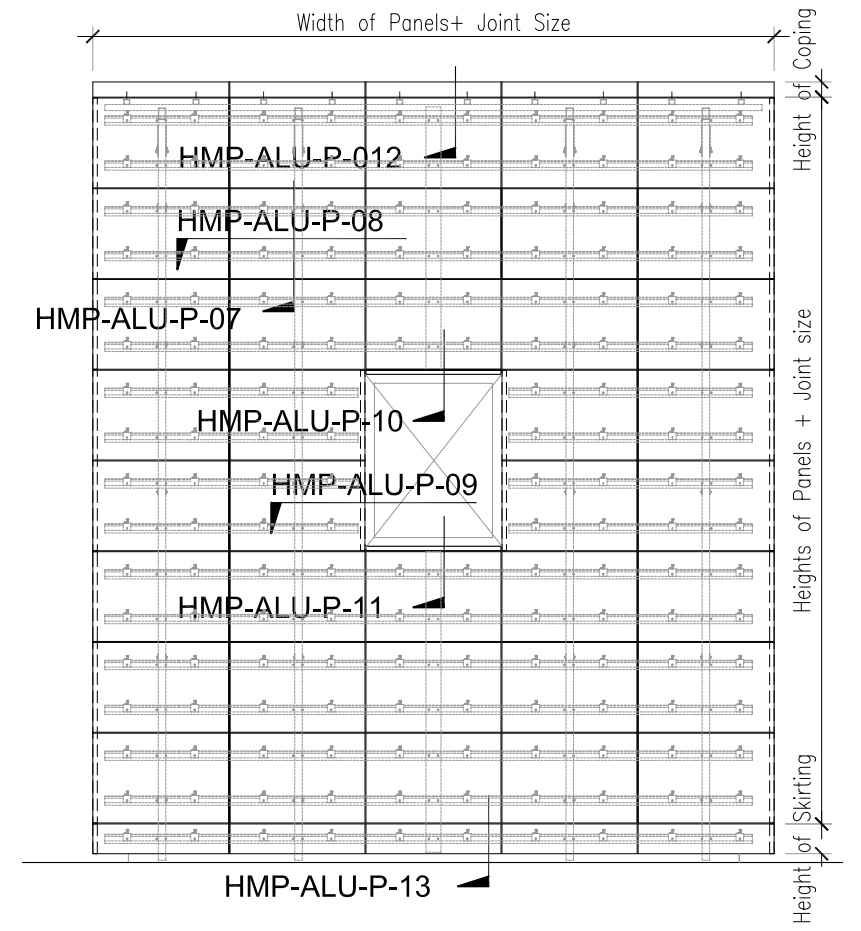
HAZ METAL Sanayi ve Ticaret A.S
 PO Box 241 31200 Iskenderun / Turkey
 Tel: +90 326 6262050 Faks: 6262045
 info@hazmetal.com / www.hazmetal.com.

HMP-ALU-AG

SUB CHANNEL SYSTEM



Vertical section Scale 1:4



Elevation Scale 1:50

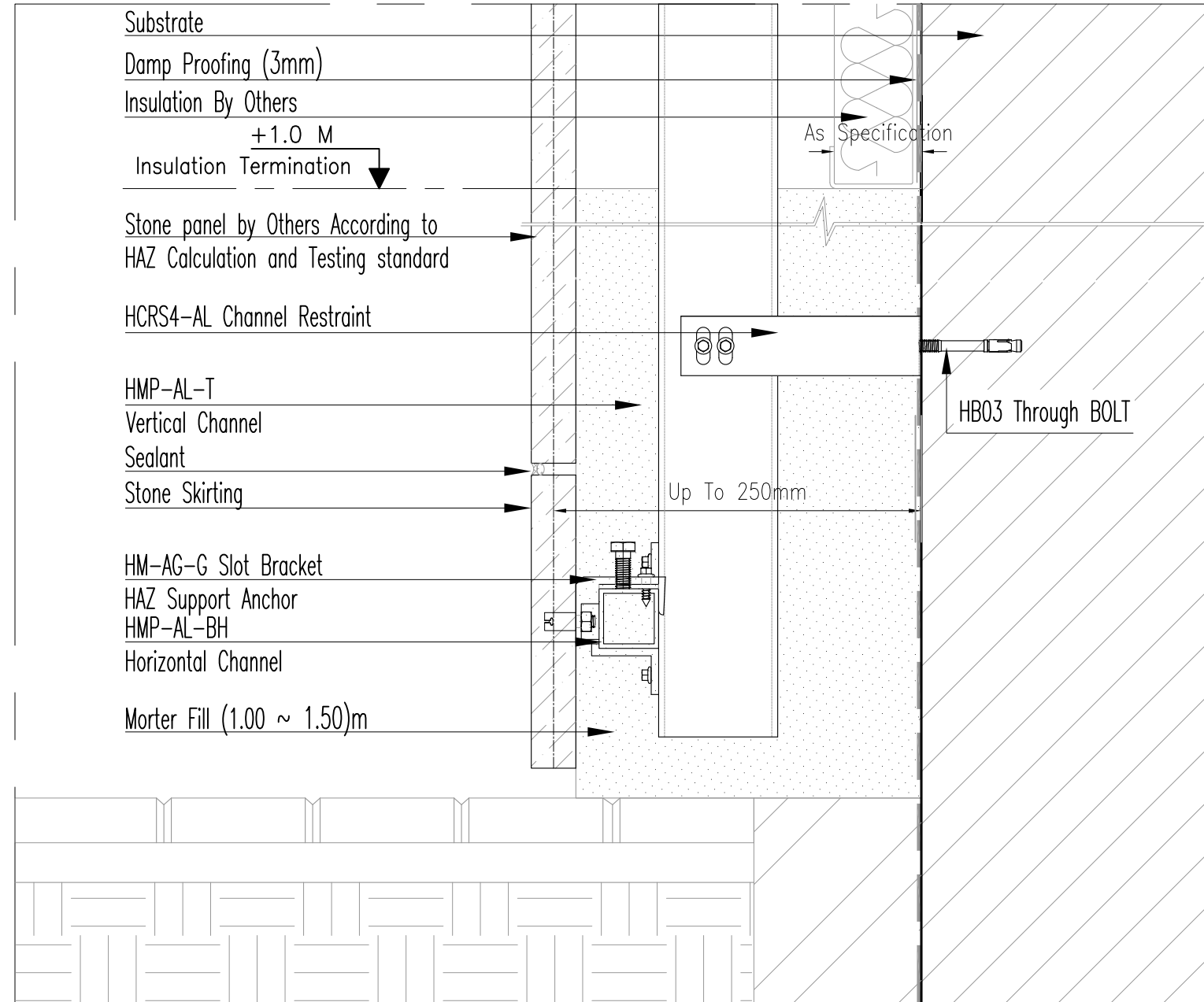


Title : HMP-ALU-AG System - Stone Coping - Vertical Section	
Drawing No.	HAZCD-HMP-ALU-AG-ST-12
Series	Concept Drawings - Natural Stone Fixing System - HMP-ALU Sub Channel System
Revision	01
Scale	As Shown
Paper Size:	A3
Page :	12/16

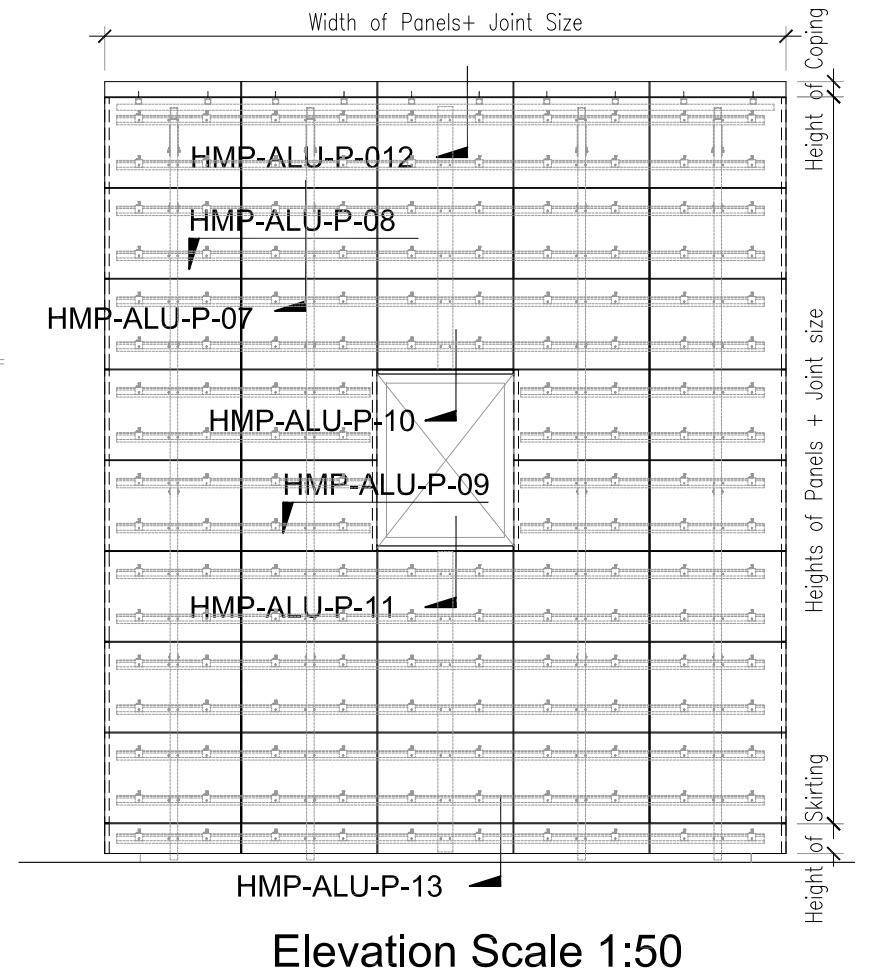
HAZ METAL Sanayi ve Ticaret A.S
 PO Box 241 31200 Iskenderun / Turkey
 Tel: +90 326 6262050 Faks: 6262045
 info@hazmetal.com / www.hazmetal.com.

HMP-ALU-AG

SUB CHANNEL SYSTEM



Vertical section Scale 1:4



Title : HMP-ALU-AG System - Stone Skirting - Vertical Section

Drawing No. HAZCD-HMP-ALU-AG-ST-13

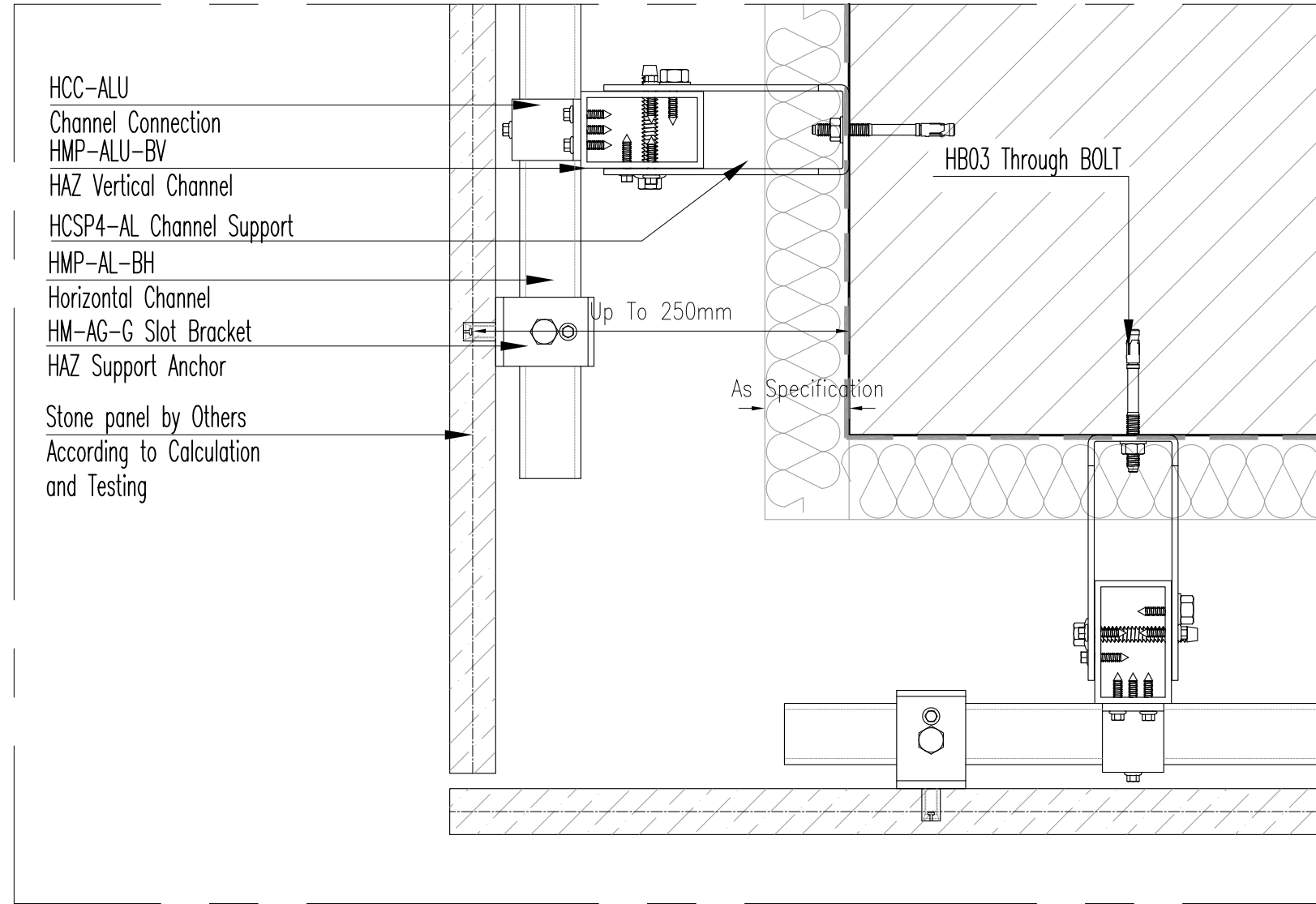
Series Concept Drawings - Natural Stone Fixing System - HMP-ALU Sub Channel System

Revision 01 Scale As Shown Paper Size: A3 Page : 13/16

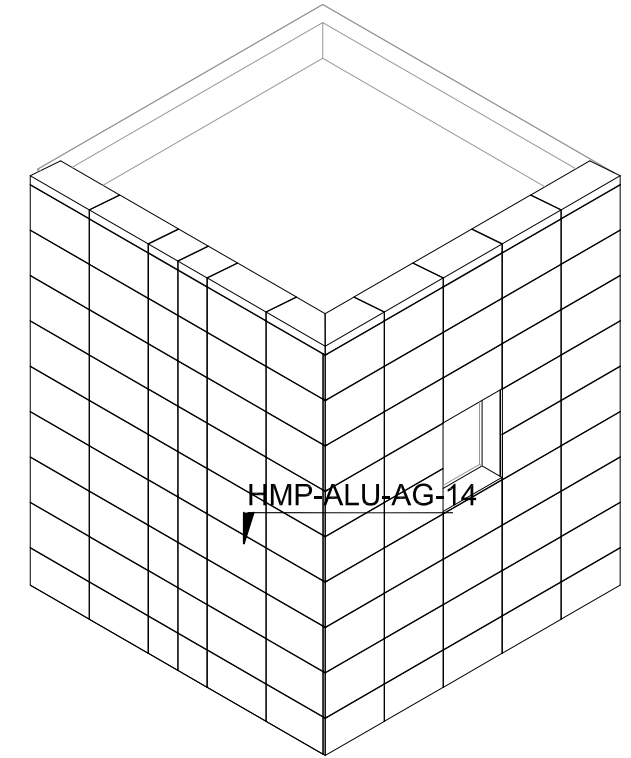
HAZ METAL Sanayi ve Ticaret A.S
PO Box 241 31200 Iskenderun / Turkey
Tel: +90 326 6262050 Faks: 6262045
info@hazmetal.com / www.hazmetal.com.

HMP-ALU-AG

SUB CHANNEL SYSTEM



Horizontal section Scale 1:4



Isometric Scale 1:100

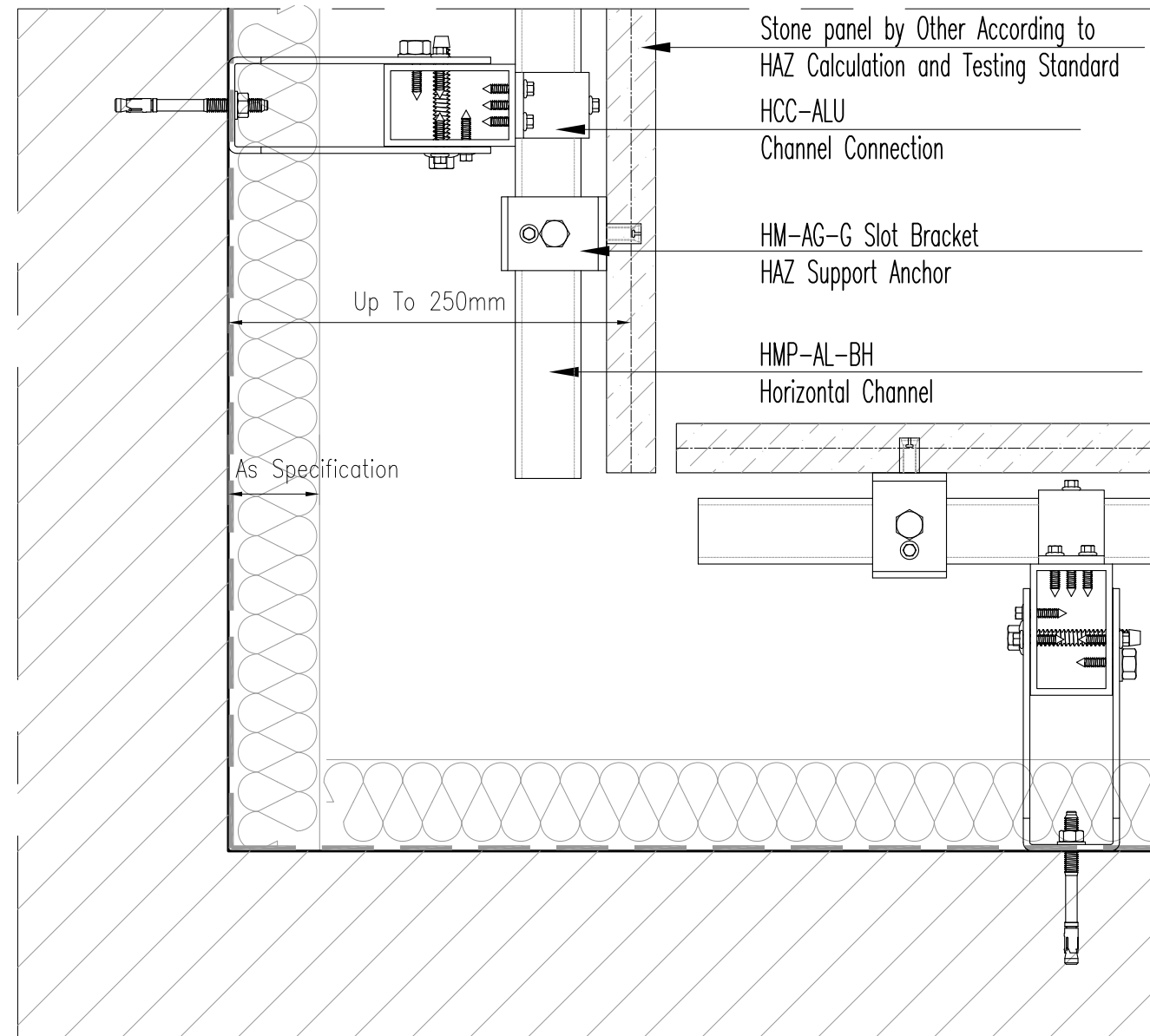


Title :		HMP-ALU-AG System - External Corner Stone Cladding - Horizontal Section					
Drawing No.		HAZCD-HMP-ALU-AG-ST-14					
Series		Concept Drawings - Natural Stone Fixing System - HMP-ALU Sub Channel System					
Revision		01	Scale	As Shown	Paper Size: A3	Page :	14/16

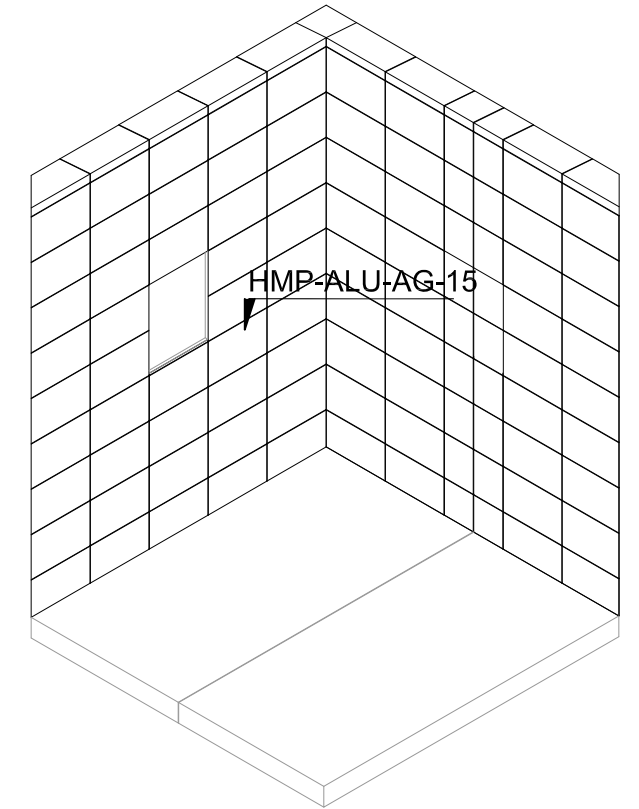
HAZ METAL Sanayi ve Ticaret A.S
 PO Box 241 31200 Iskenderun / Turkey
 Tel: +90 326 6262050 Faks: 6262045
 info@hazmetal.com / www.hazmetal.com.

HMP-ALU-AG

SUB CHANNEL SYSTEM



Horizontal section Scale 1:4



Isometric Scale 1:100

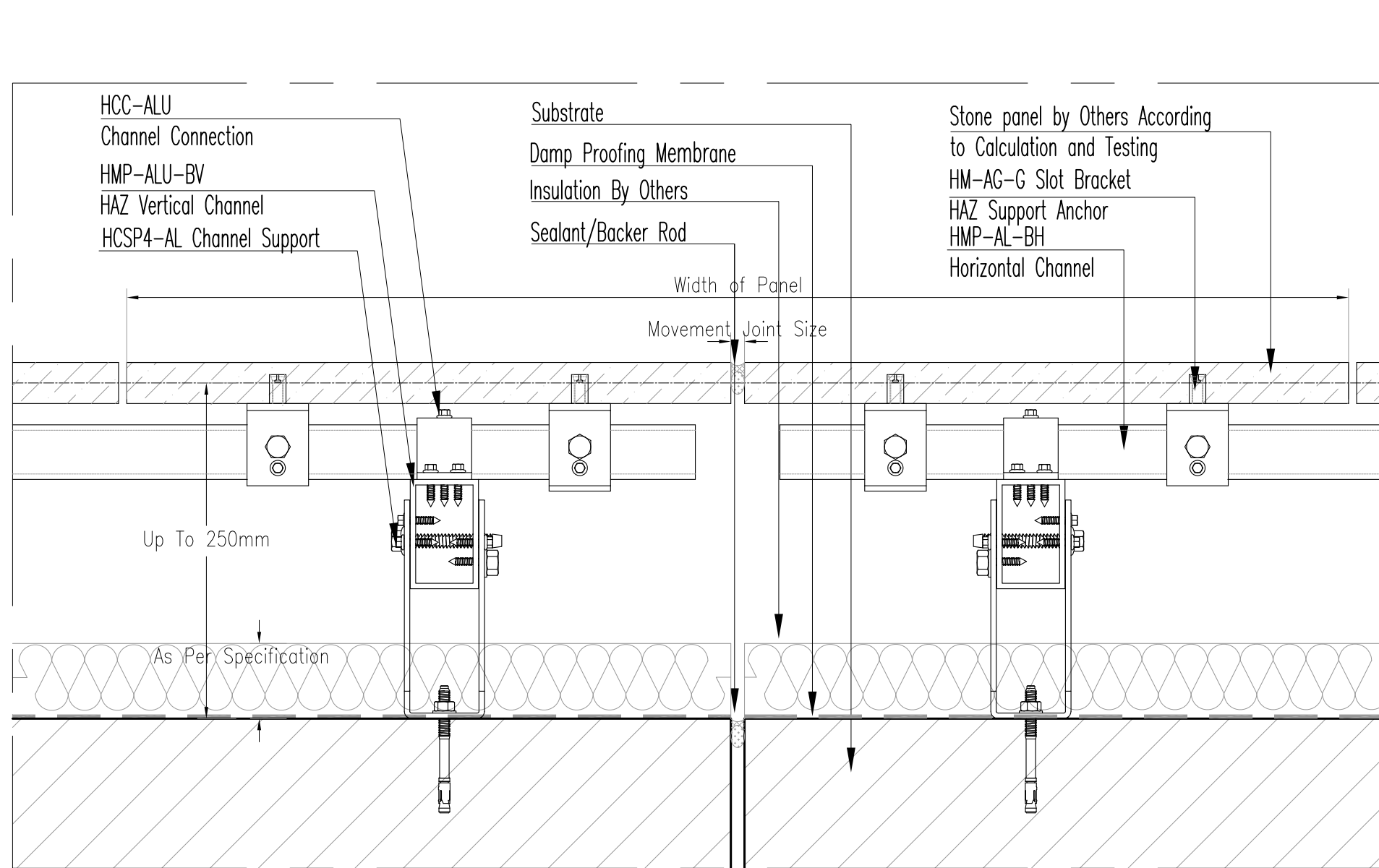


Title : HMP-ALU-AG System - Internal Corner Stone Cladding - Horizontal Section					
Drawing No.	HAZCD-HMP-ALU-AG-ST-15				
Series	Concept Drawings - Natural Stone Fixing System - HMP-ALU Sub Channel System				
Revision	01	Scale	As Shown	Paper Size: A3	Page : 15/16

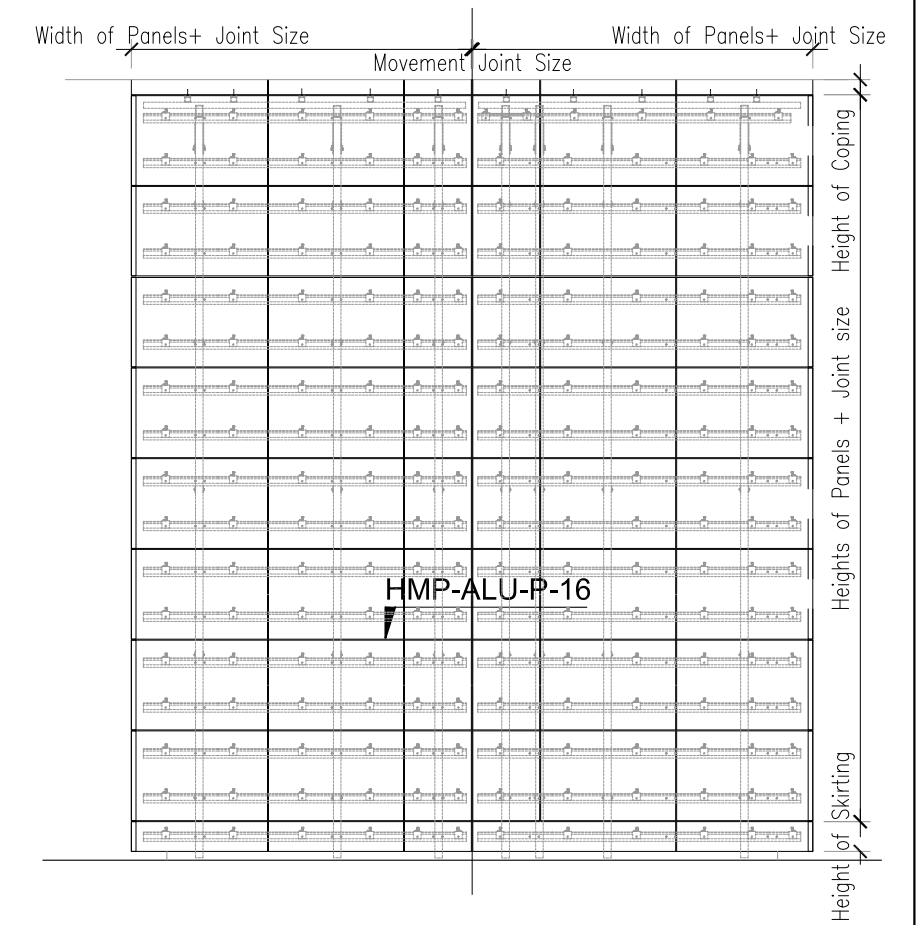
HAZ METAL Sanayi ve Ticaret A.S
 PO Box 241 31200 Iskenderun / Turkey
 Tel: +90 326 6262050 Faks: 6262045
 info@hazmetal.com / www.hazmetal.com.

HMP-ALU-AG

SUB CHANNEL SYSTEM



Horizontal section Scale 1:4



Variation on Typical Elevation
Scale 1:50



Title : Horizontal Joint Installation -HMP-ALU-AG System - Movement Joint - Horizontal Section					
Drawing No.		HAZCD-HMP-ALU-AG-ST-16			
Series		Concept Drawings - Natural Stone Fixing System - HMP-ALU Sub Channel System			
Revision		01	Scale	As Shown	Paper Size: A3
					Page : 16/16

HAZ METAL Sanayi ve Ticaret A.S
PO Box 241 31200 Iskenderun / Turkey
Tel: +90 326 6262050 Faks: 6262045
info@hazmetal.com / www.hazmetal.com.