

HAZ METAL
FIXING SYSTEMS

HMP-ALU-SP/H

SUB CHANNEL SYSTEM

Concept Drawings

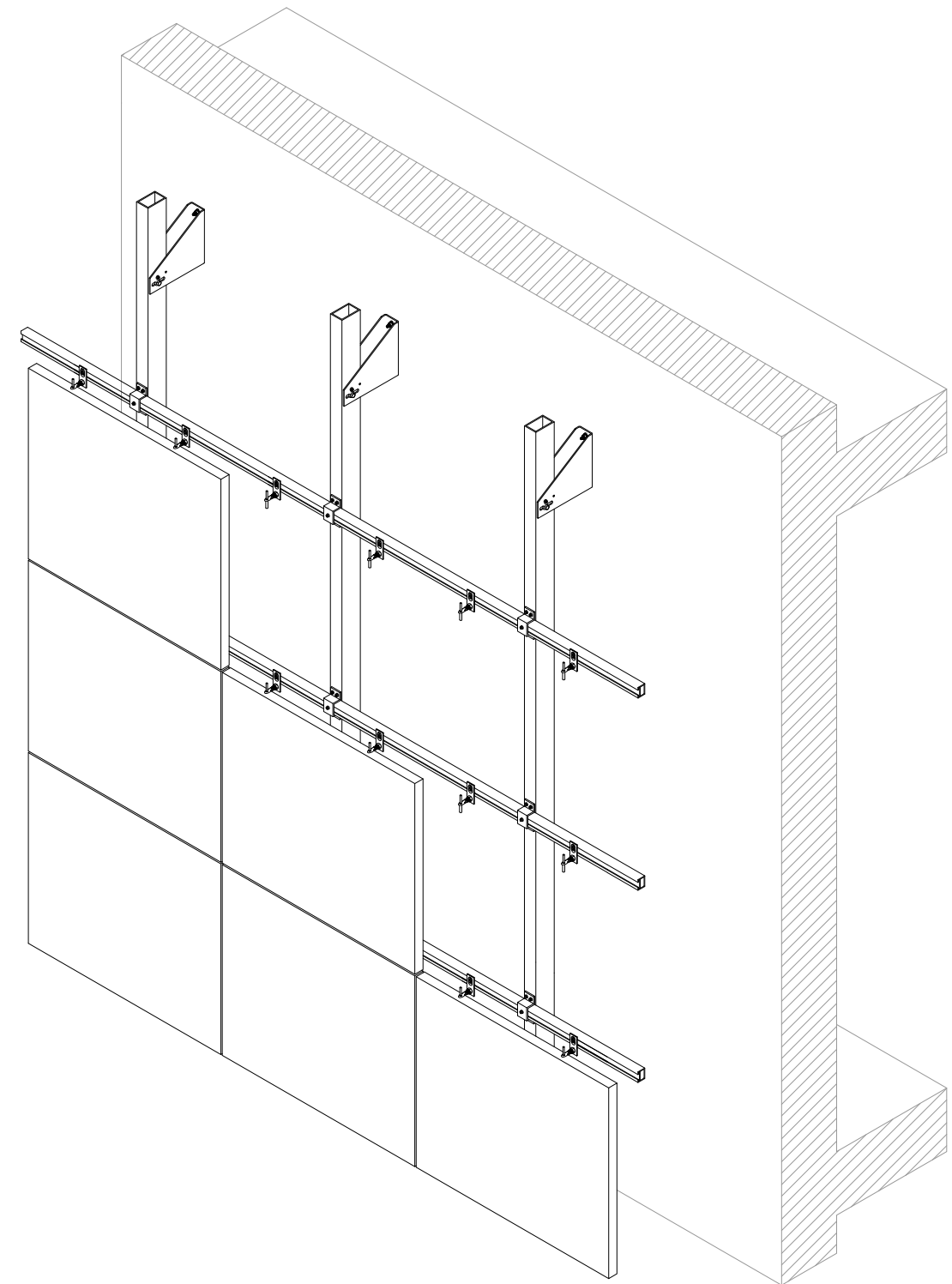
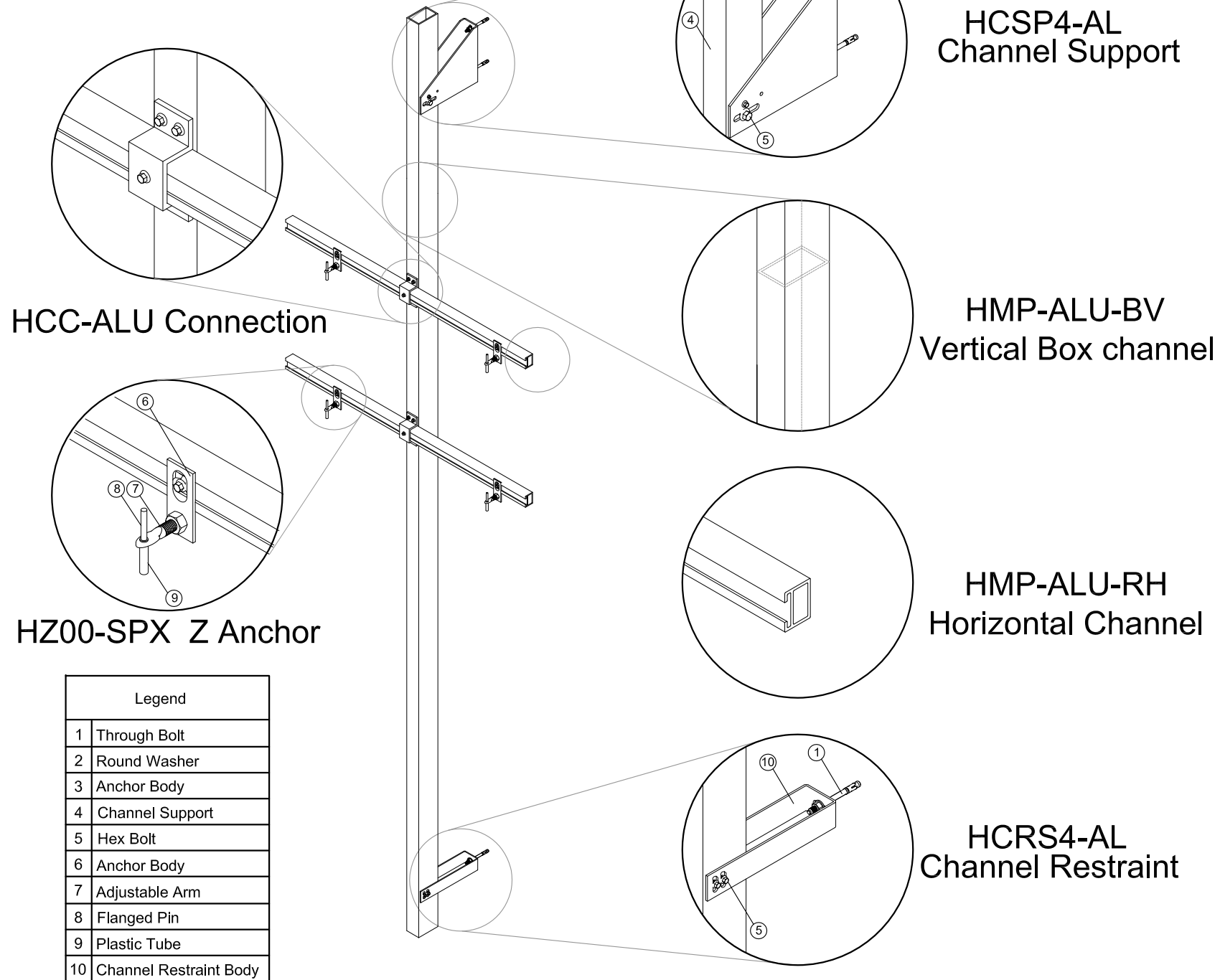
Series: HAZCD-HMP-ALU-SP/H-ST

Aluminum Support System For Rain
Screen Stone Cladding System for
Installation at Horizontal Joints



HMP-ALU-SP/H

SUB CHANNEL SYSTEM



ISOMETRIC VIEW

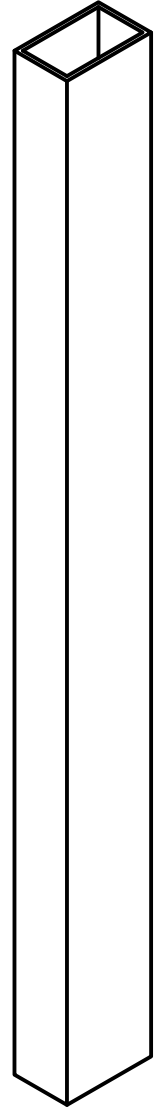


HAZ METAL Sanayi ve Ticaret A.S
 PO Box 241 31200 Iskenderun / Turkey
 Tel: +90 326 6262050 Faks: 6262045
 info@hazmetal.com / www.hazmetal.com.

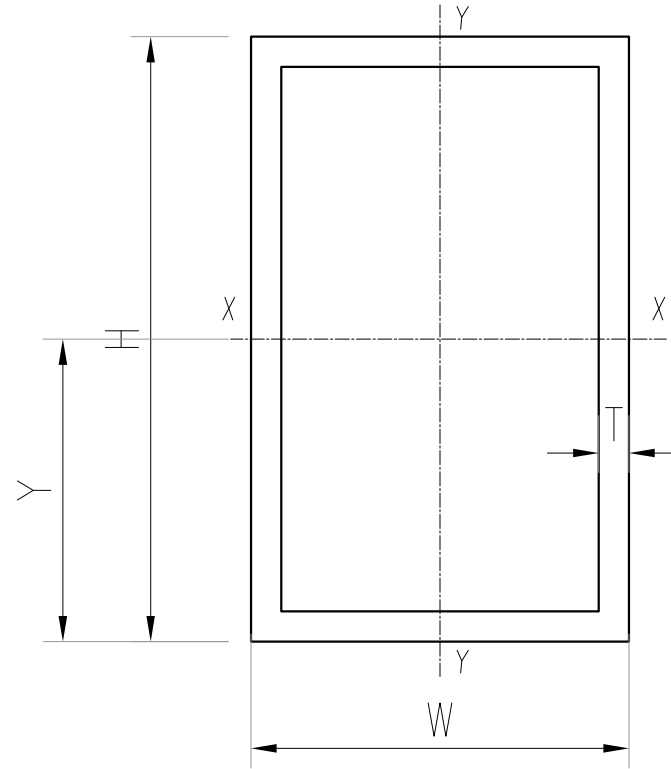
Title :	Natural Stone Facade - Built-up Cavity Wall - HMP-ALU-SP/H				
Drawing No.	HAZCD-HMP-ALU-SP/H-ST-01				
Series	Concept Drawings - Natural Stone Fixing System - HMP-ALU Sub Channel System				
Revision	01	Scale	As Shown	Paper Size: A3	Page : 1/16

HMP-ALU-BV

VERTICAL BOX CHANNEL



ISOMETRIC VIEW



Horizontal Section

Product Code	Technical Details								
	Dimensions			X-X Axis			Y-Y Axis		
	Thickness T(mm)	Width W(mm)	Height H(mm)	IXX (cm ⁴)	ZX (cm ³)	X (mm)	IYY (cm ⁴)	ZY (cm ³)	Y (mm)
HML-ALU-BV-60/50	3.00	60.00	50.00	32.26	10.75	25.00	24.17	9.66	30.00
HML-ALU-BV-80/50	4.00	80.00	50.00	82.70	20.67	25.00	38.88	15.55	40.00
HML-ALU-BV-100/50	4.00	100.00	50.00	144.13	28.83	25.00	47.37	18.95	50.00
HML-ALU-BV-120/50	5.00	120.00	50.00	276.33	46.05	25.00	66.33	26.53	60.00

- Material : Extruded Aluminum Grade 6063 T66 Mill finish and black anodizes.
- Tables above is prepared according to plain finish without drilled holes.
- Channels can be provided up to 6 meters length.

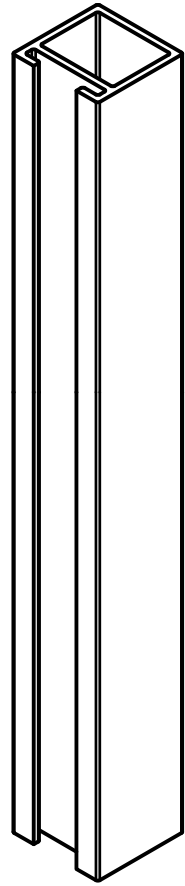


HAZ METAL Sanayi ve Ticaret A.S
 PO Box 241 31200 Iskenderun / Turkey
 Tel: +90 326 6262050 Faks: 6262045
 info@hazmetal.com / www.hazmetal.com.

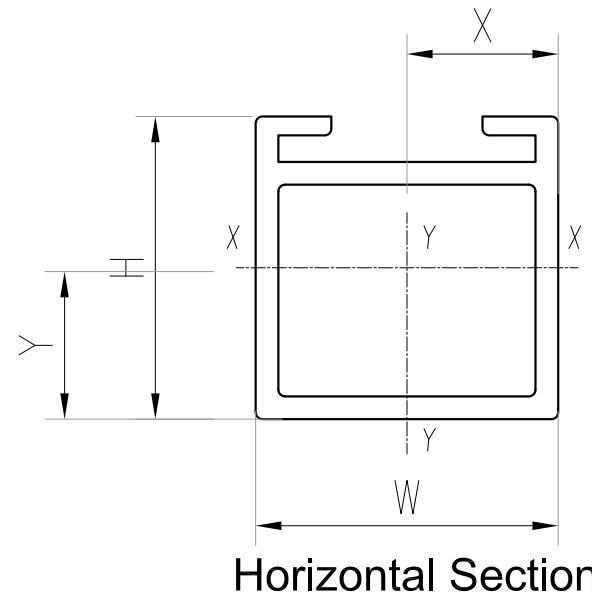
Title :	Natural Stone Facade - Built-up Cavity Wall - HML-ALU-RL Specification				
Drawing No.	HAZCD-HMP-ALU-SP/H-ST-02				
Series	Concept Drawings - Natural Stone Fixing System - HMP-ALU Sub Channel System				
Revision	01	Scale	As Shown	Paper Size: A3	Page : 2/16

HML-ALU-RL

SUB CHANNEL SYSTEM



ISOMETRIC VIEW



Horizontal Section

Product Code	Technical Details								
	Dimensions			X-X Axis			Y-Y Axis		
	Thickness T(mm)	Width W(mm)	Height H(mm)	IXX (cm ⁴)	ZX (cm ³)	X (mm)	IYY (cm ⁴)	ZY (cm ³)	Y (mm)
HML-ALU-RL-30	3.00	40.00	30.00	4.44	2.89	20.00	8.78	4.39	15.33
HML-ALU-RL-40	3.00	40.00	40.00	9.50	4.76	20.00	10.84	5.42	19.92
HML-ALU-RL-80	3.00	40.00	80.00	27.08	9.22	20.00	14.95	7.47	29.36

- Material : Extruded Aluminum Grade 6063 T66 Mill finish and black anodizes.
- Tables above is prepared according to plain finish without drilled holes.
- Channels can be provided up to 6 meters length.

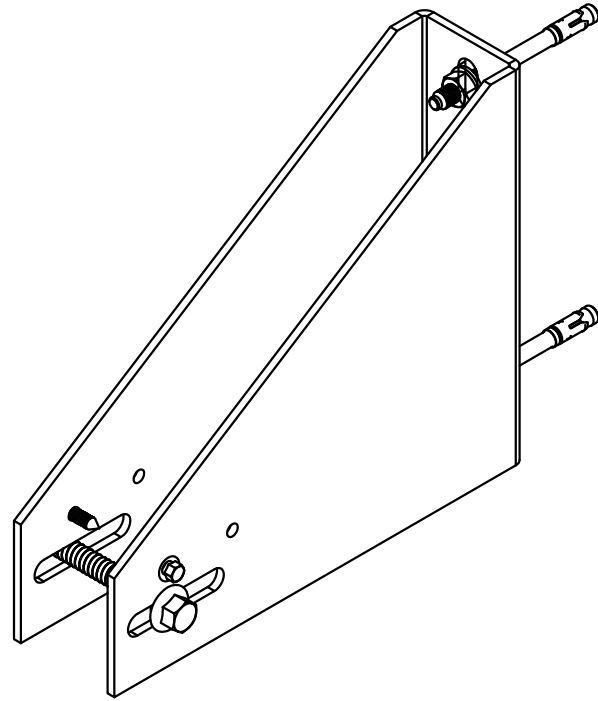


HAZ METAL Sanayi ve Ticaret A.S
 PO Box 241 31200 Iskenderun / Turkey
 Tel: +90 326 6262050 Faks: 6262045
 info@hazmetal.com / www.hazmetal.com.

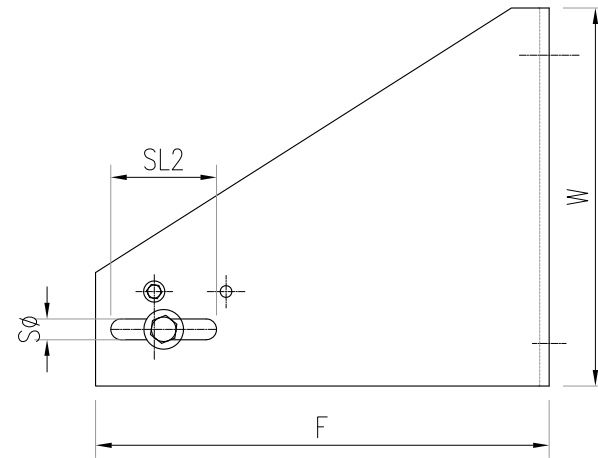
Title :		Natural Stone Facade - Built-up Cavity Wall - HML-ALU-RL Specification								
Drawing No.		HAZCD-HMP-ALU-SP/H-ST-03								
Series		Concept Drawings - Natural Stone Fixing System - HMP-ALU Sub Channel System								
Revision		01	Scale		As Shown	Paper Size:		A3	Page :	3/16

HCSP4-AL

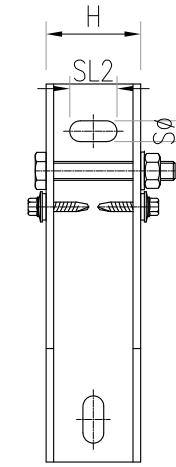
Channel Support



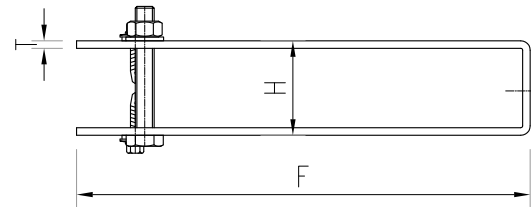
ISOMETRIC VIEW



Side View Scale 1:4



Elevation View Scale 1:4



Plan View Scale 1:4

Product Code	Technical Details						
	Width W(mm)	Height H(mm)	Forming F (mm)	Self tabbing screw	Expansion Bolt	Max. Load (N)	Max. Wind Load (N)
HCSP4-AL-100	50	175	100	M10 x 70	M10 x 90	2500	2000
HCSP4-AL-120	50	175	120				
HCSP4-AL-140	50	175	140				
HCSP4-AL-160	50	195	160				
HCSP4-AL-180	50	195	180				
HCSP4-AL-210	50	195	210				
HCSP4-AL-240	50	195	240				
HCSP4-AL-270	50	215	270				
HCSP4-AL-300	50	215	300				



HAZ METAL Sanayi ve Ticaret A.S
 PO Box 241 31200 Iskenderun / Turkey
 Tel: +90 326 6262050 Faks: 6262045
 info@hazmetal.com / www.hazmetal.com.

Title : Natural Stone Facade - Built-up Cavity Wall - HMP-ALU-SP/H System - HCSP4-AL Specification

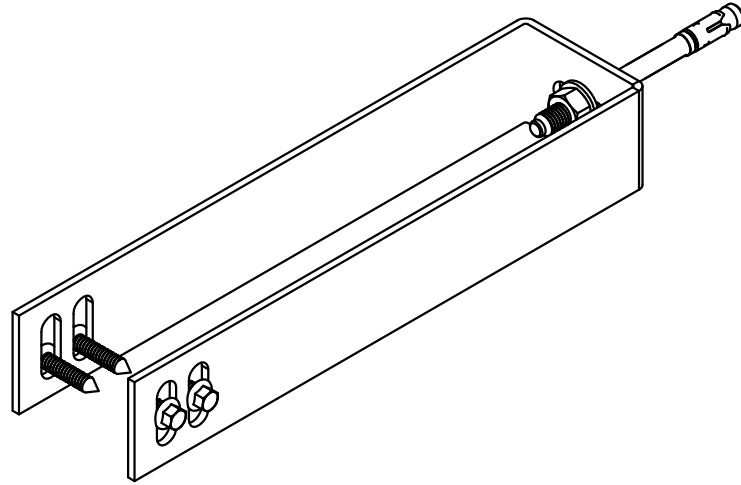
Drawing No. HAZCD-HMP-ALU-SP/H-ST-04

Series Concept Drawings - Natural Stone Fixing System - HMP-ALU Sub Channel System

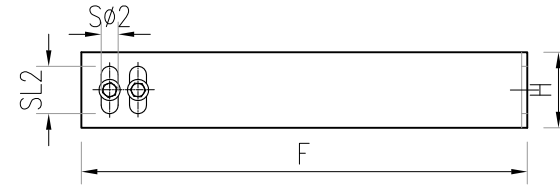
Revision 01 Scale As Shown Paper Size: A3 Page : 4/16

HCRS4-AL

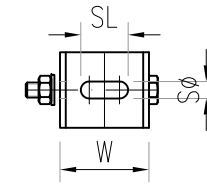
Channel Restraint



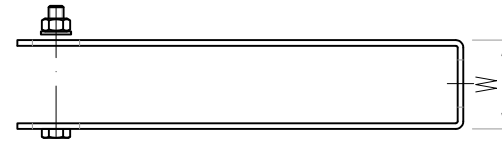
ISOMETRIC VIEW



Side View Scale 1:4



Elevation View Scale 1:4



Plan View Scale 1:4

Product Code	Technical Details								
	Thickness T(mm)	Width W(mm)	Height H(mm)	Forming F (mm)	Slot Hole Dia. S Ø(mm)	Slot Hole length SL(mm)	Hole Dia. SØ2(mm)	Slot Hole length SL2(mm)	Max. Wind Load (N)
HCRS4-AL-100	3	50	40	100	9	25	9	25	2000
HCRS4-AL-120	3	50	40	120	9	25	9	25	
HCRS4-AL-140	4	50	40	140	9	25	9	25	
HCRS4-AL-160	4	50	40	160	9	25	9	25	
HCRS4-AL-180	5	50	40	180	9	25	9	25	
HCRS4-AL-210	5	50	40	210	9	25	9	25	
HCRS4-AL-240	5	50	40	240	9	25	9	25	
HCRS4-AL-270	5	50	40	270	9	25	9	25	
HCRS4-AL-300	5	50	40	300	9	25	9	25	



HAZ METAL Sanayi ve Ticaret A.S
 PO Box 241 31200 Iskenderun / Turkey
 Tel: +90 326 6262050 Faks: 6262045
 info@hazmetal.com / www.hazmetal.com.

Title : Natural Stone Facade - Built-up Cavity Wall - HMP-ALU-SP/H System- HCRS4-AL Specification

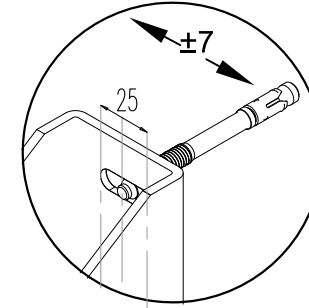
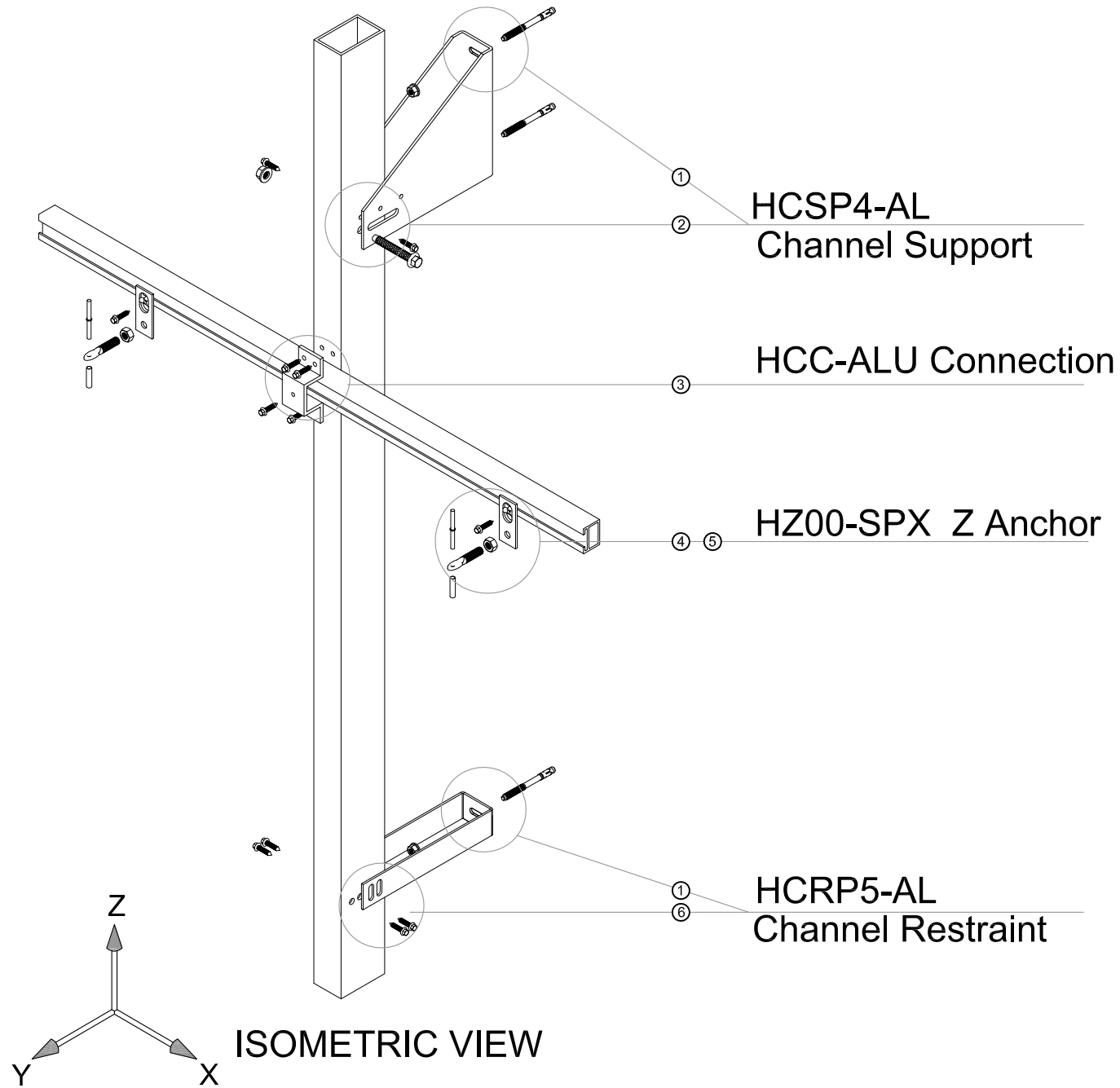
Drawing No. HAZCD-HMP-ALU-SP/H-ST-05

Series Concept Drawings - Natural Stone Fixing System - HMP-ALU Sub Channel System

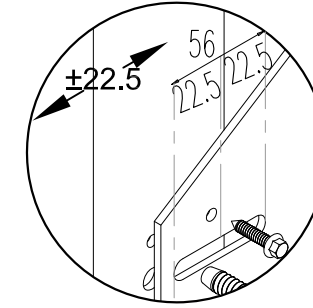
Revision 01 Scale As Shown Paper Size: A3 Page : 5/16

HMP-ALU-SP/H

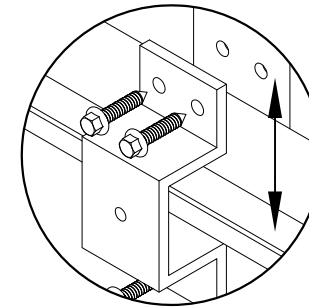
SUB CHANNEL SYSTEM



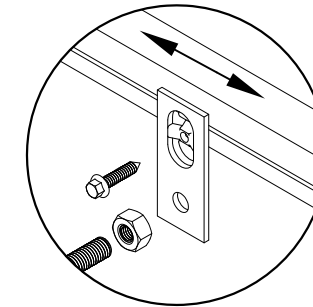
① The Adjustability on the X axis is Provided by Slotted hole ± 7 mm .



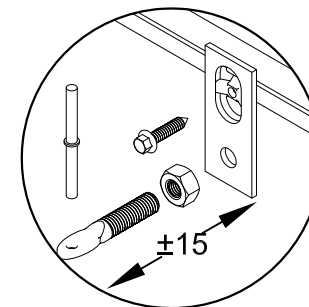
② The Adjustability on the Y axis for a projection is Provided by Slotted hole ± 22.5 mm .



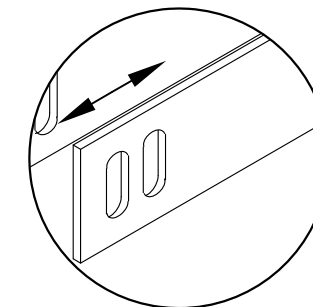
③ Adjustment of the Horizontal Channel Up and Down on the Z Axis is provided by drilling hole on Vertical Channel with Channel connection .



④ Adjustment of the Anchor Left and Right on the X Axis is provided by Sliding the Body Anchor along Horizontal Channel .



⑤ Adjustment of the Projection size on the Y Axis is provided by rotating the adjustable arm ± 15 mm.



⑥ Adjustment of the Projection size on the Y Axis is provided by 2 slotted holes .

Note: For Further Dimension Refer to Each Items Details Drawings.

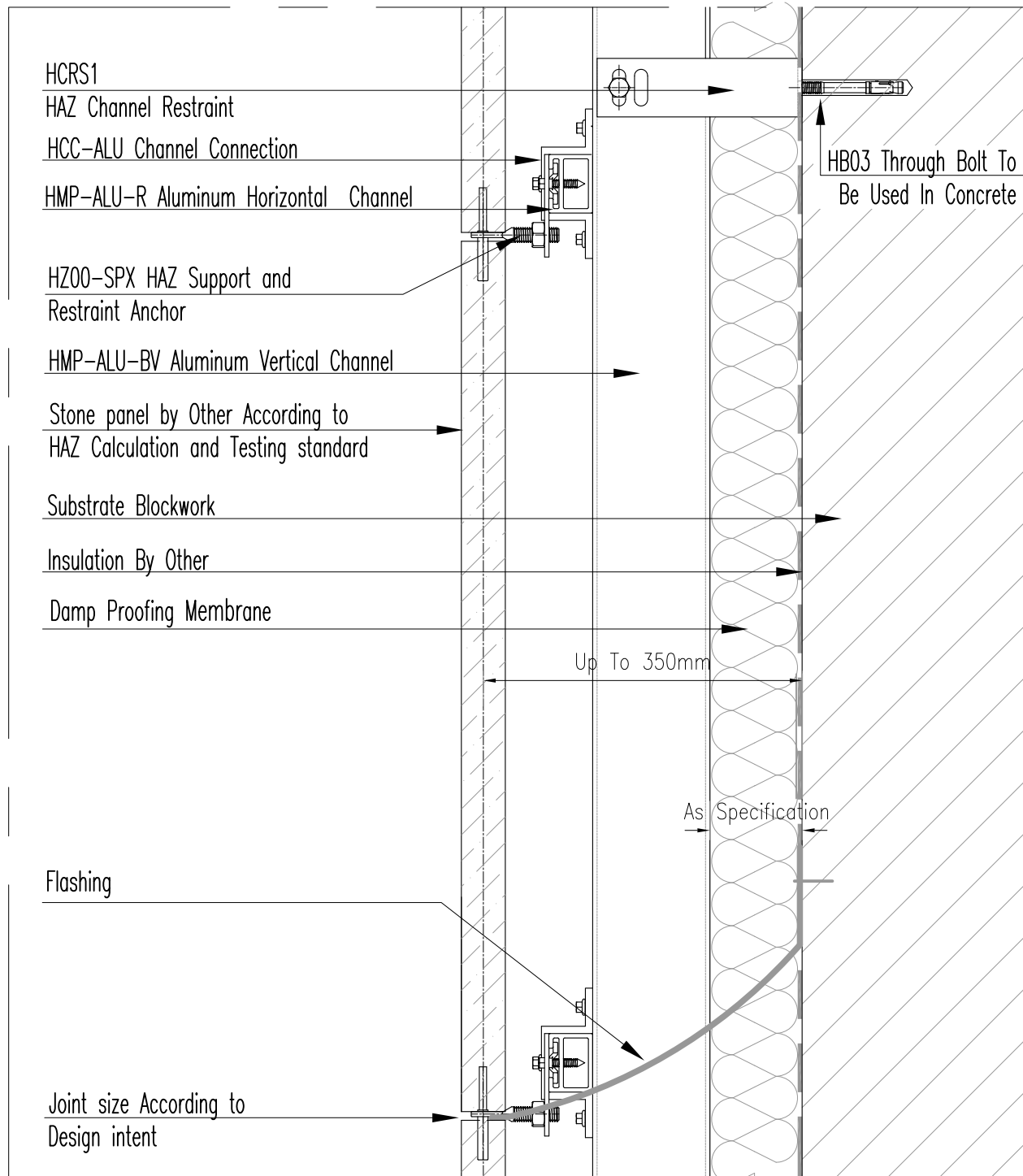


HAZ METAL Sanayi ve Ticaret A.S
PO Box 241 31200 Iskenderun / Turkey
Tel: +90 326 6262050 Faks: 6262045
info@hazmetal.com / www.hazmetal.com.

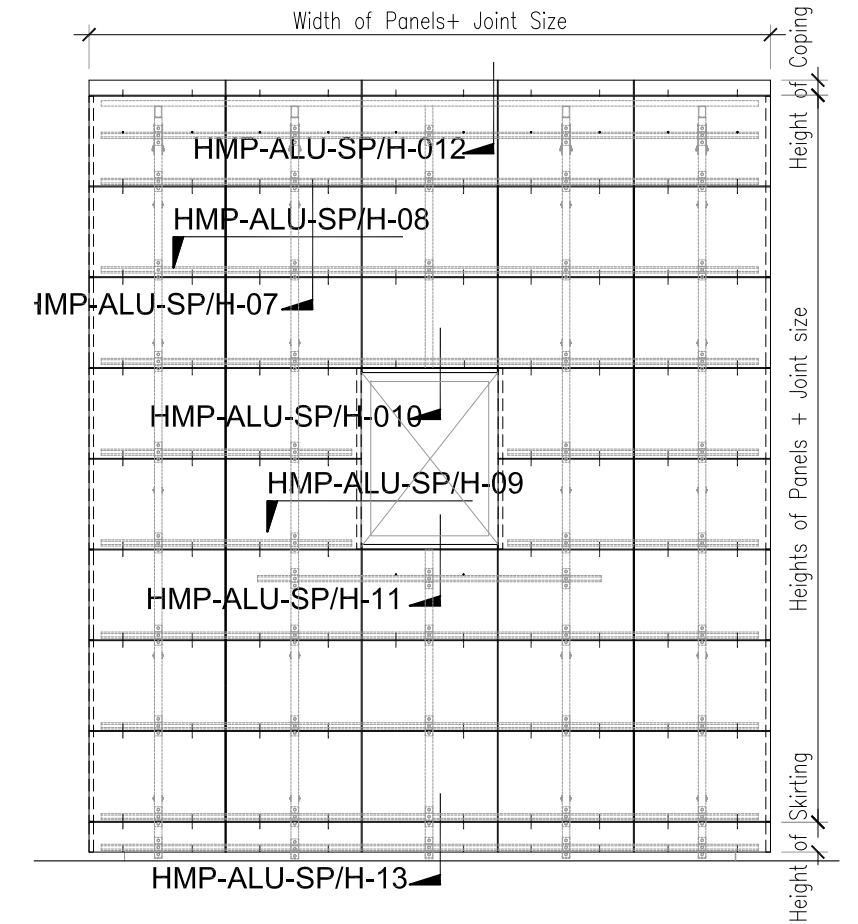
Title : Natural Stone Facade - Built-up Cavity Wall - HMP-ALU-SP/H System - Adjustability					
Drawing No.	HAZCD-HMP-ALU-SP/H-ST-06				
Series	Concept Drawings - Natural Stone Fixing System - HMP-ALU Sub Channel System				
Revision	01	Scale	As Shown	Paper Size: A3	Page : 6/16

HMP-ALU-SP/H

SUB CHANNEL SYSTEM



Vertical section Scale 1:4



Elevation Scale 1:50

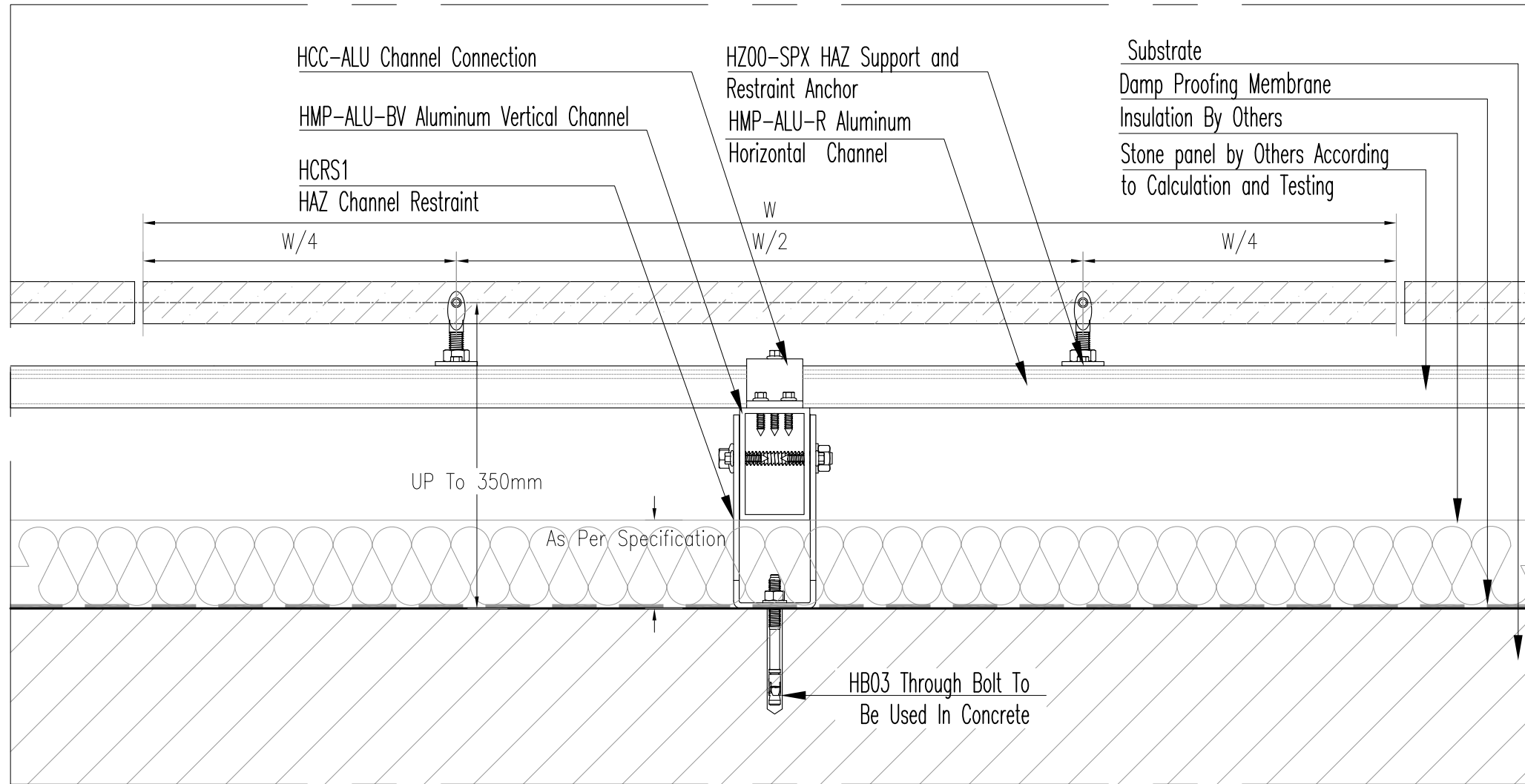


Title :		Typical Stone Claddings - HMP-ALU-SP/H System - Vertical Section			
Drawing No.		HAZCD-HMP-ALU-SP/H-ST-07			
Series		Concept Drawings - Natural Stone Fixing System - HMP-ALU Sub Channel System			
Revision	01	Scale	As Shown	Paper Size: A3	Page : 7/16

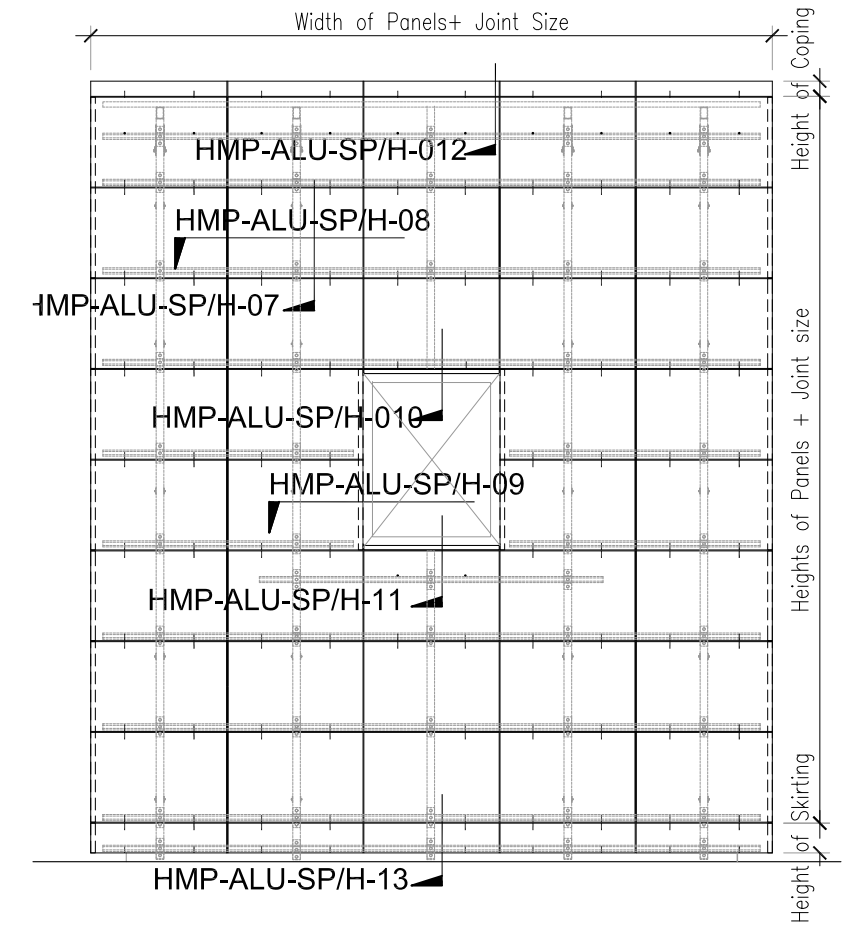
HAZ METAL Sanayi ve Ticaret A.S
 PO Box 241 31200 Iskenderun / Turkey
 Tel: +90 326 6262050 Faks: 6262045
 info@hazmetal.com / www.hazmetal.com.

HMP-ALU-SP/H

SUB CHANNEL SYSTEM



Horizontal section Scale 1:4



Elevation Scale 1:50

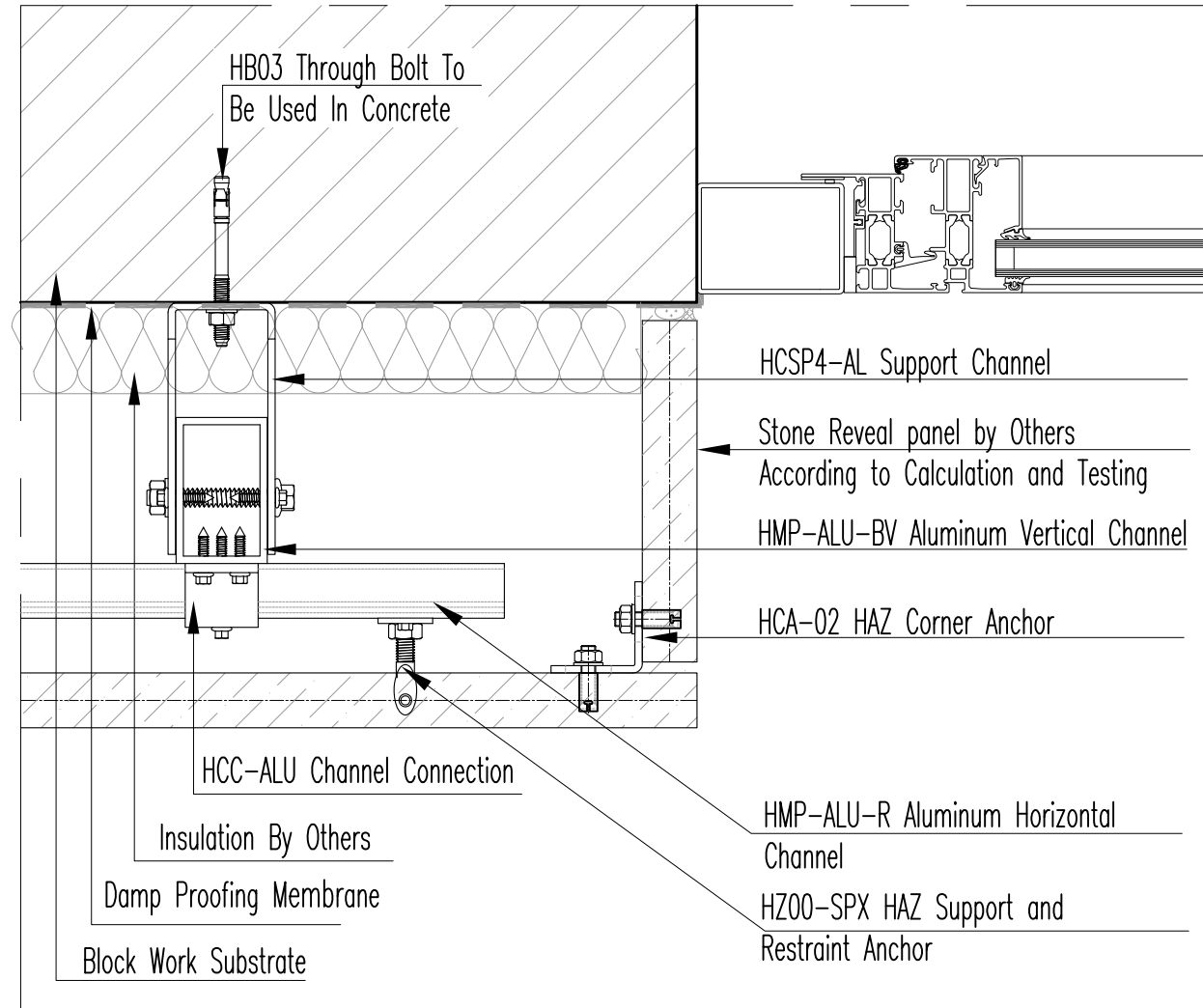


HAZ METAL Sanayi ve Ticaret A.S
 PO Box 241 31200 Iskenderun / Turkey
 Tel: +90 326 6262050 Faks: 6262045
 info@hazmetal.com / www.hazmetal.com.

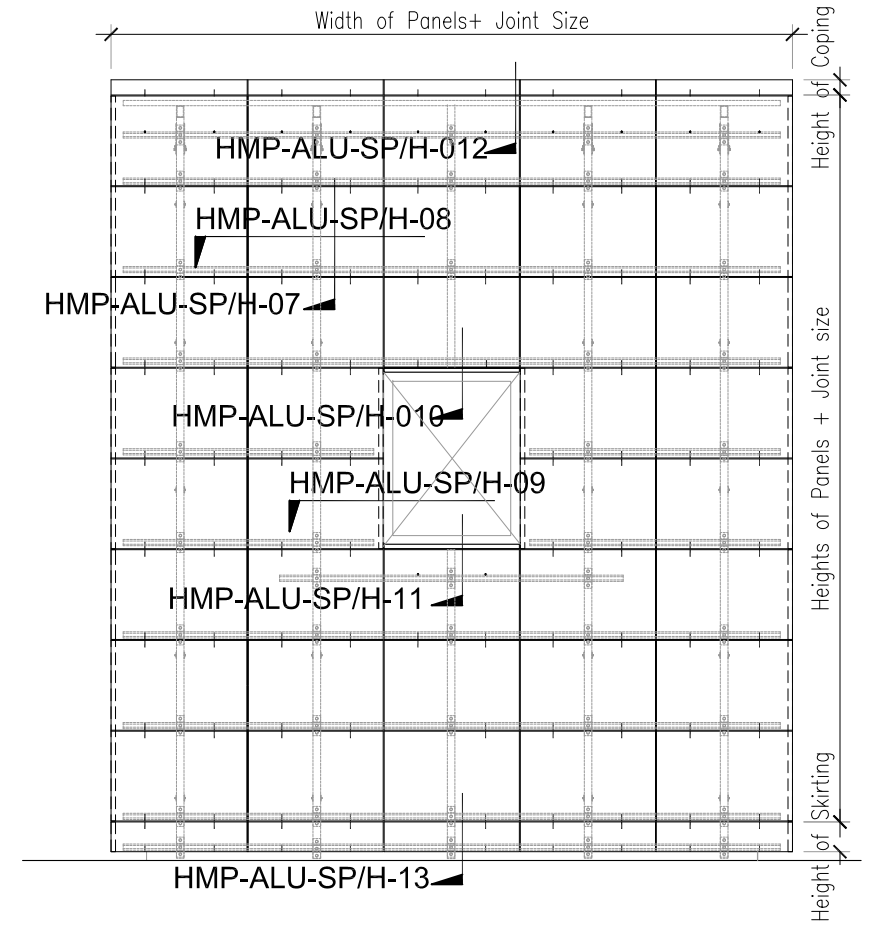
Title :		HMP-ALU-SP/H System - Typical Stone Claddings - Horizontal Section			
Drawing No.	HAZCD-HMP-ALU-SP/H-ST-08				
Series	Concept Drawings - Natural Stone Fixing System - HMP-ALU Sub Channel System				
Revision	01	Scale	As Shown	Paper Size: A3	Page : 8/16

HMP-ALU-SP/H

SUB CHANNEL SYSTEM



Horizontal section Scale 1:4



Elevation Scale 1:50

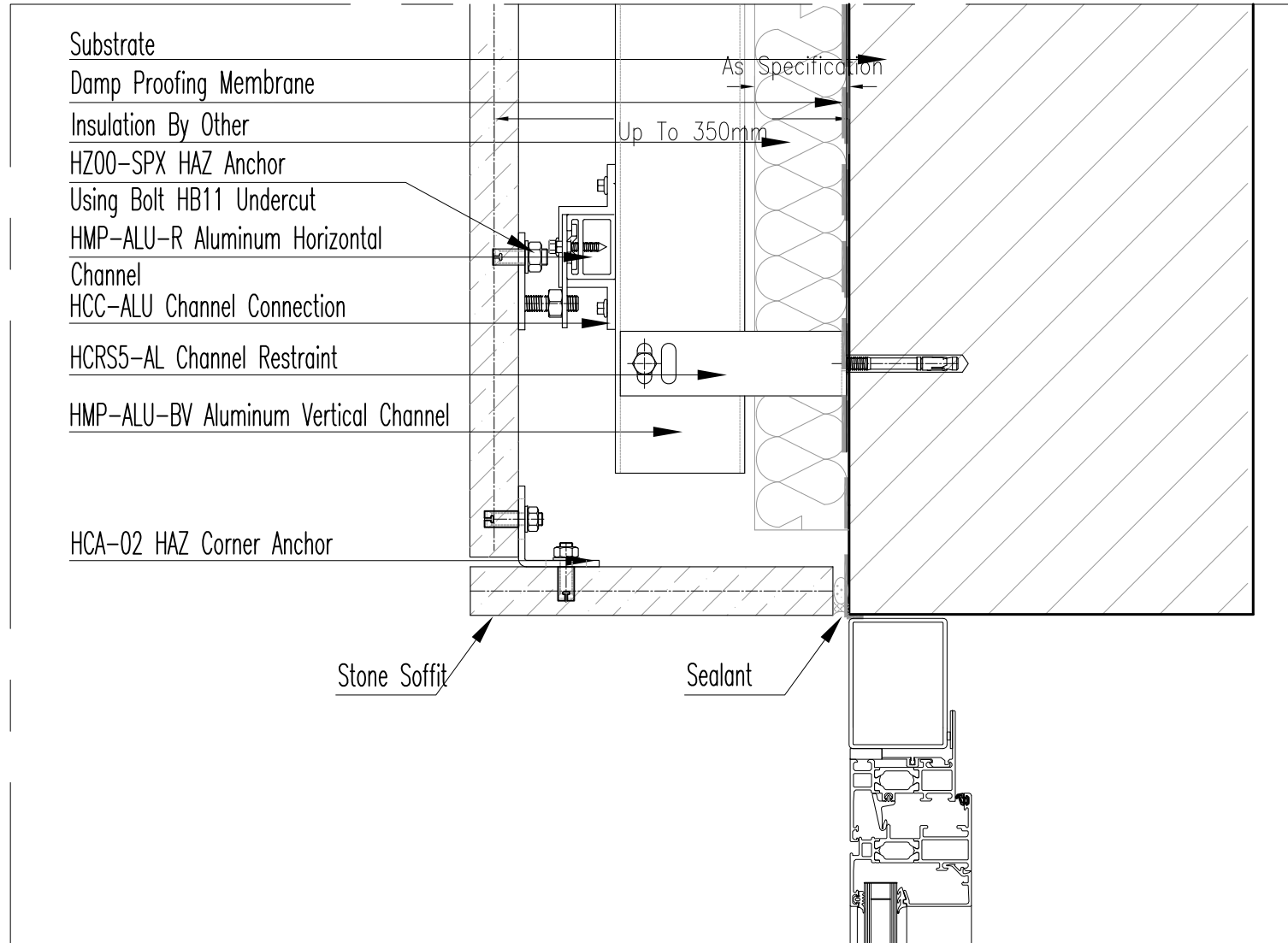


Title :		HMP-ALU-SP/H System - Stone Reveal - Horizontal Section			
Drawing No.	HAZCD-HMP-ALU-SP/H-ST-09				
Series	Concept Drawings - Natural Stone Fixing System - HMP-ALU Sub Channel System				
Revision	01	Scale	As Shown	Paper Size: A3	Page : 9/16

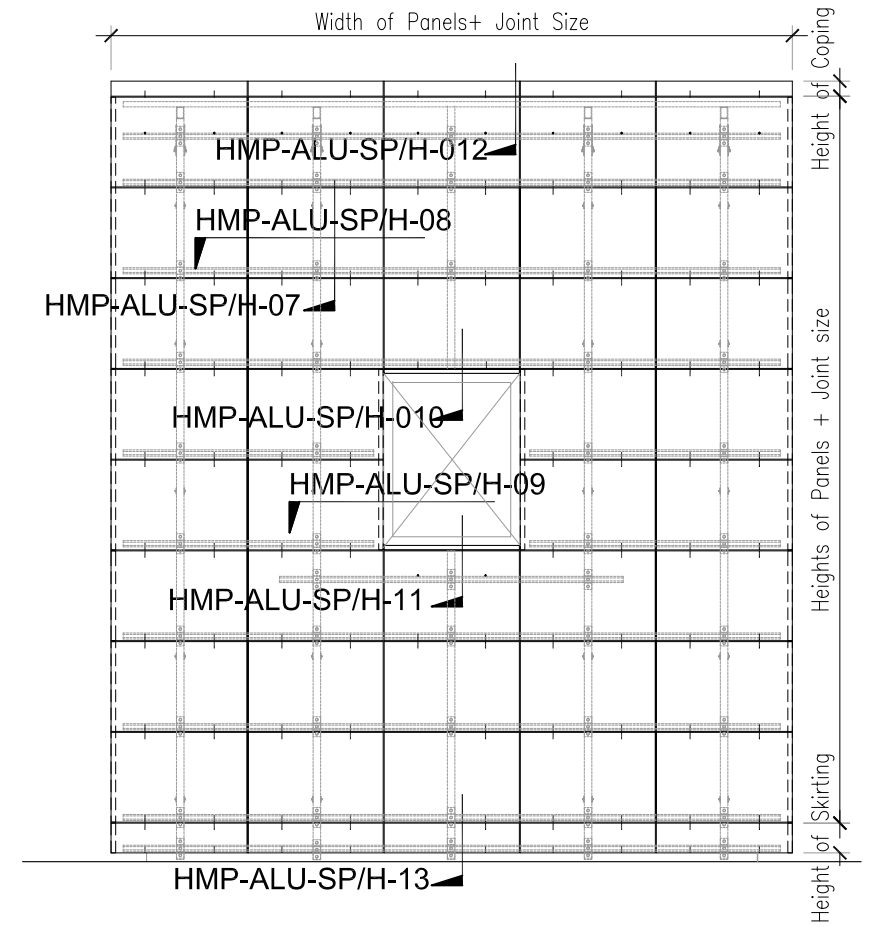
HAZ METAL Sanayi ve Ticaret A.S
 PO Box 241 31200 Iskenderun / Turkey
 Tel: +90 326 6262050 Faks: 6262045
 info@hazmetal.com / www.hazmetal.com.

HMP-ALU-SP/H

SUB CHANNEL SYSTEM



Vertical section Scale 1:4



Elevation Scale 1:50

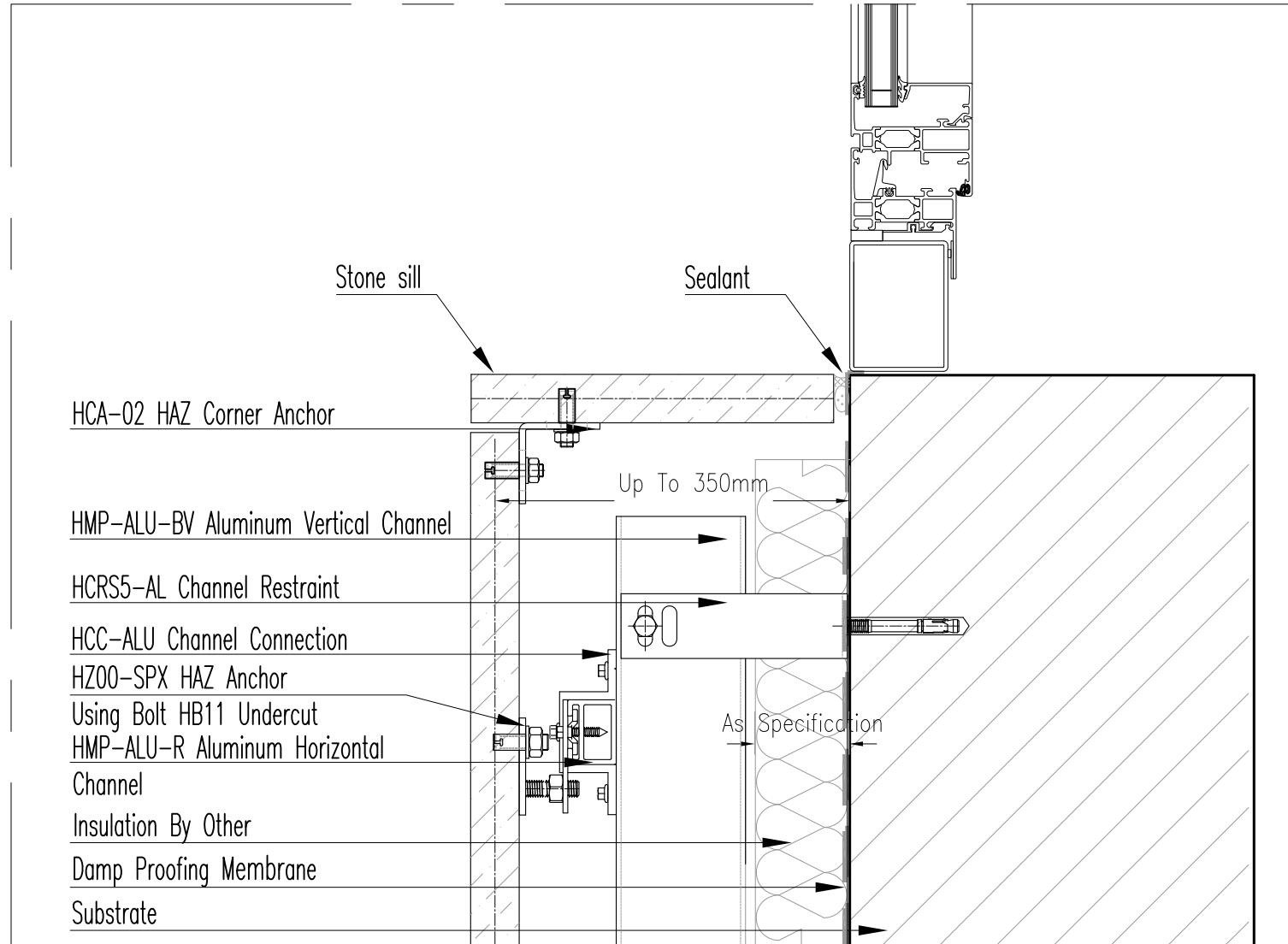


Title :		HMP-ALU-SP/H System -- Stone Soffit - Vertical Section			
Drawing No.		HAZCD-HMP-ALU-SP/H-ST-10			
Series		Concept Drawings - Natural Stone Fixing System - HMP-ALU Sub Channel System			
Revision		01	Scale	As Shown	Paper Size: A3
					Page : 10/16

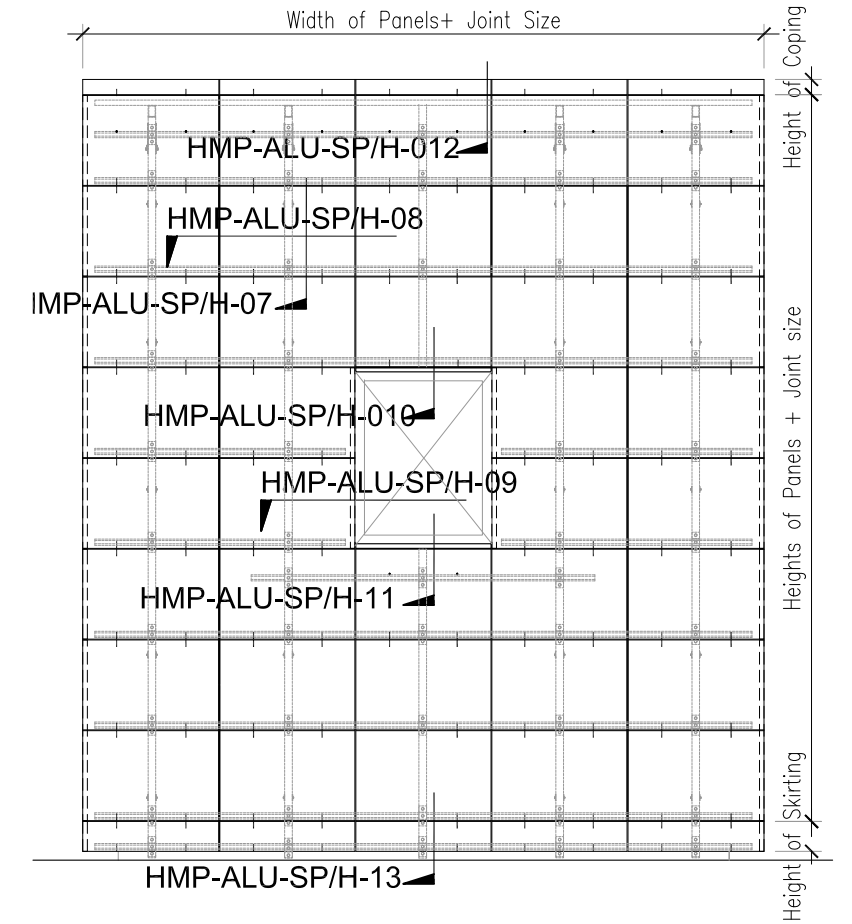
HAZ METAL Sanayi ve Ticaret A.S
 PO Box 241 31200 Iskenderun / Turkey
 Tel: +90 326 6262050 Faks: 6262045
 info@hazmetal.com / www.hazmetal.com.

HMP-ALU-SP/H

SUB CHANNEL SYSTEM



Vertical section Scale 1:4



Elevation Scale 1:50

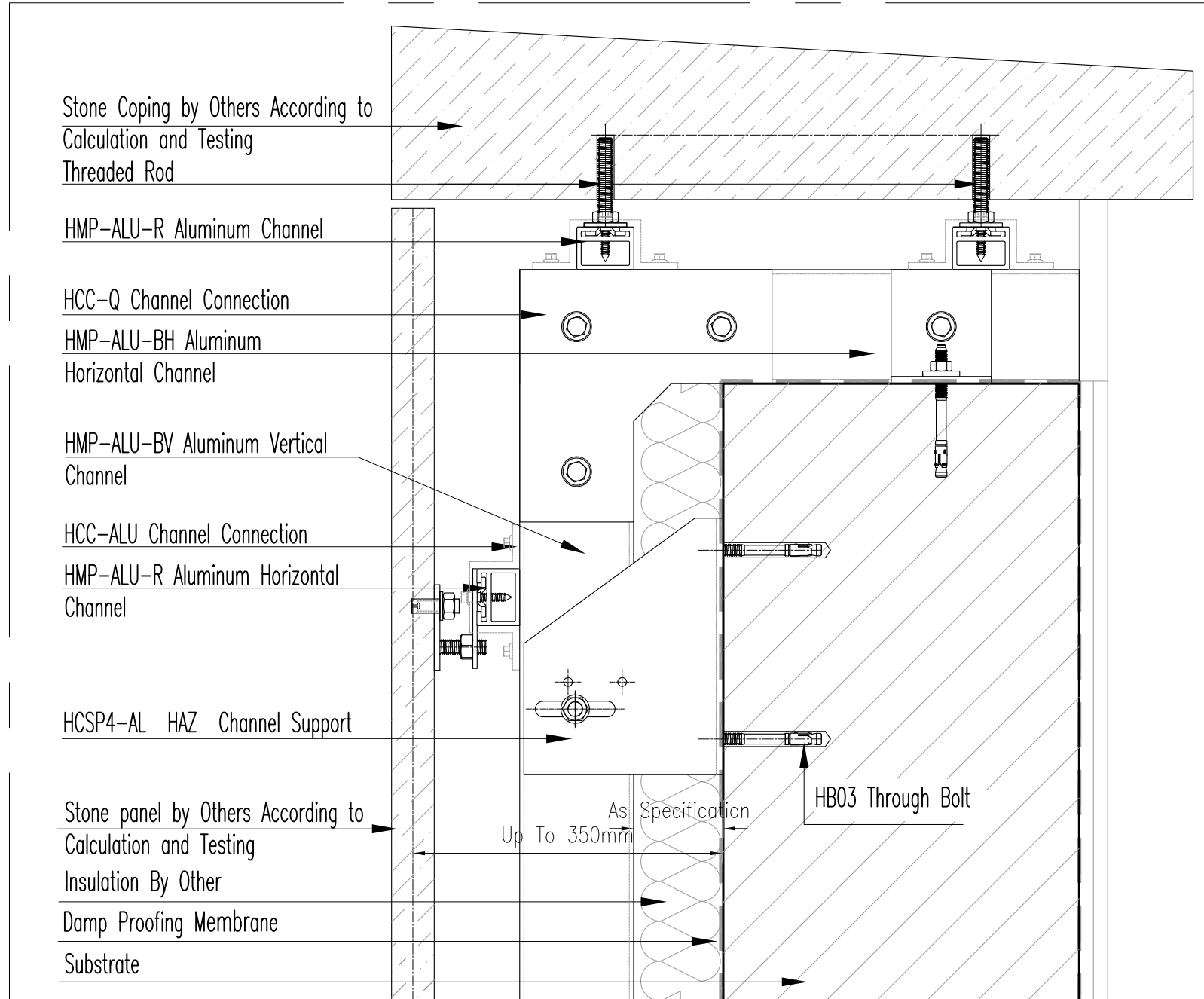


Title :		HMP-ALU-SP/H System - Stone Sill - Vertical Section			
Drawing No.	HAZCD-HMP-ALU-SP/H-ST-11				
Series	Concept Drawings - Natural Stone Fixing System - HMP-ALU Sub Channel System				
Revision	01	Scale	As Shown	Paper Size: A3	Page : 11/16

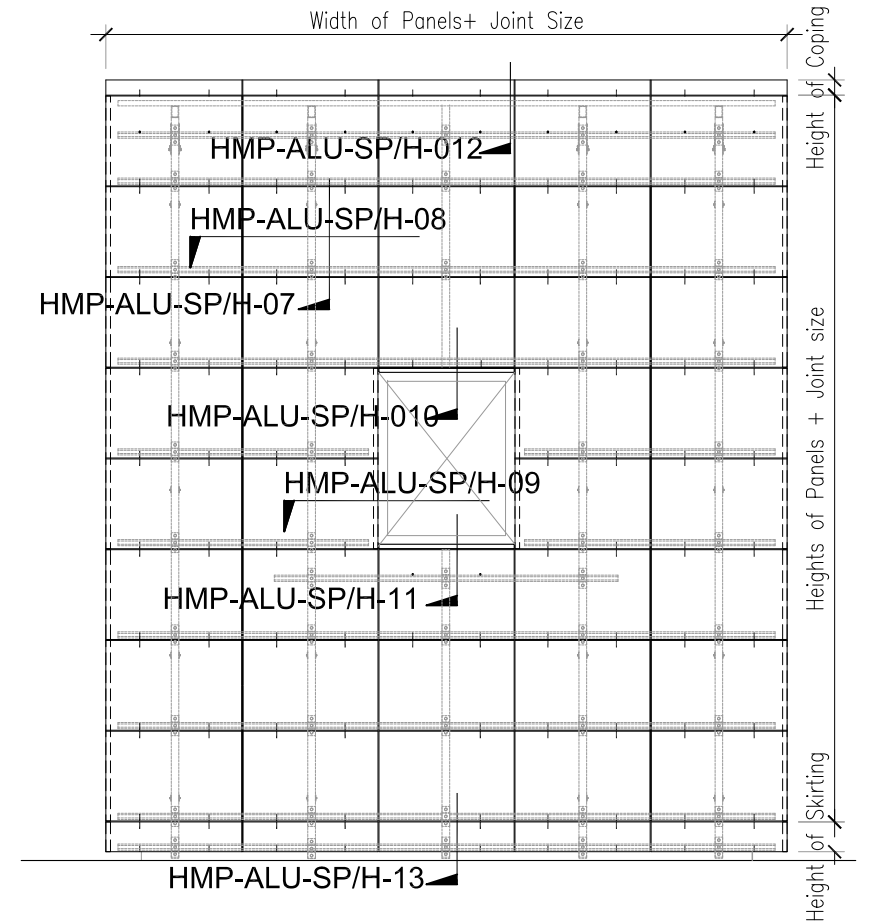
HAZ METAL Sanayi ve Ticaret A.S
 PO Box 241 31200 Iskenderun / Turkey
 Tel: +90 326 6262050 Faks: 6262045
 info@hazmetal.com / www.hazmetal.com.

HMP-ALU-SP/H

SUB CHANNEL SYSTEM



Vertical section Scale 1:4



Elevation Scale 1:50

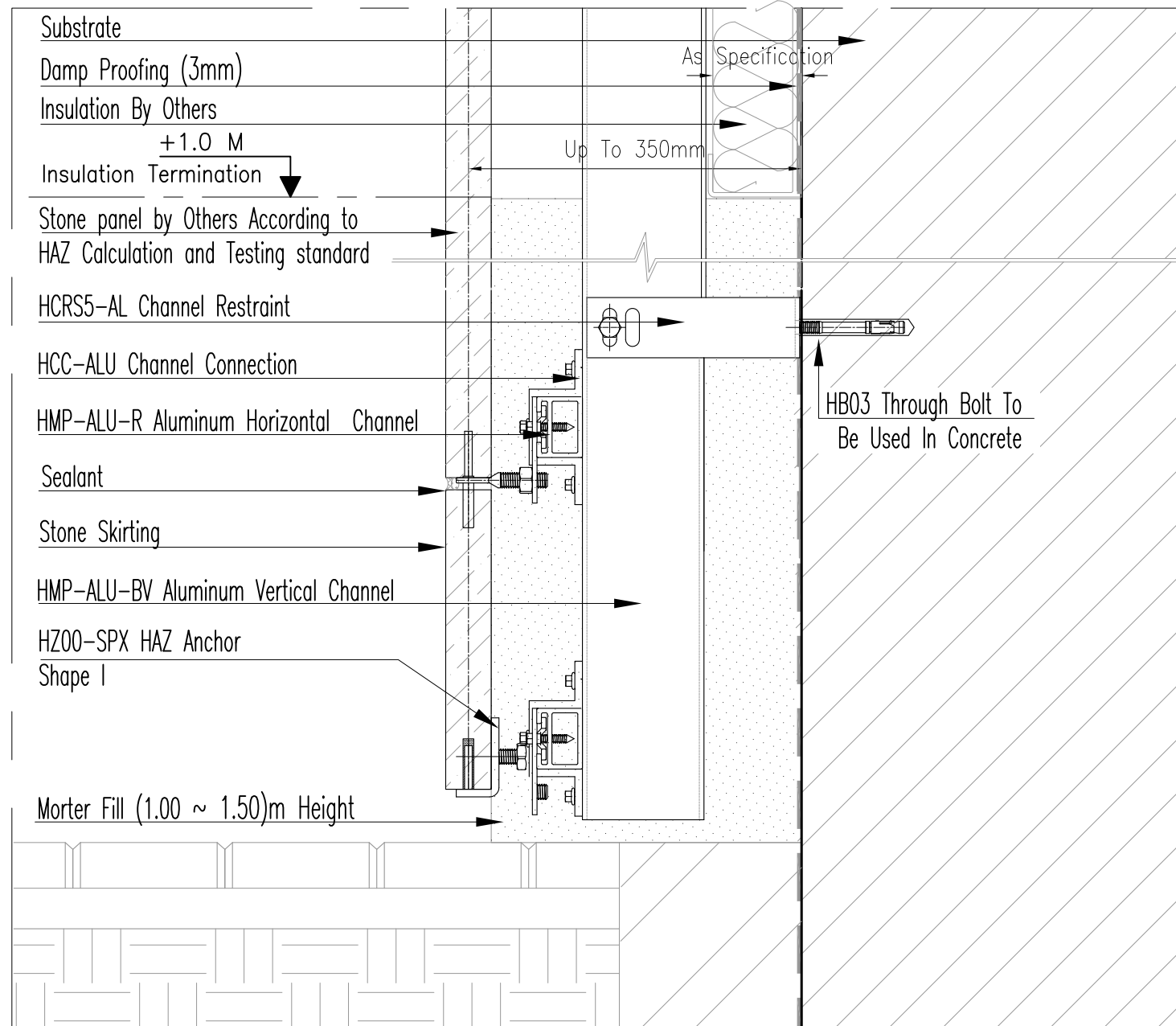


Title :		HMP-ALU-SP/H System - Stone Coping - Vertical Section			
Drawing No.		HAZCD-HMP-ALU-SP/H-ST-12			
Series		Concept Drawings - Natural Stone Fixing System - HMP-ALU Sub Channel System			
Revision		01	Scale	As Shown	Paper Size: A3
					Page : 12/16

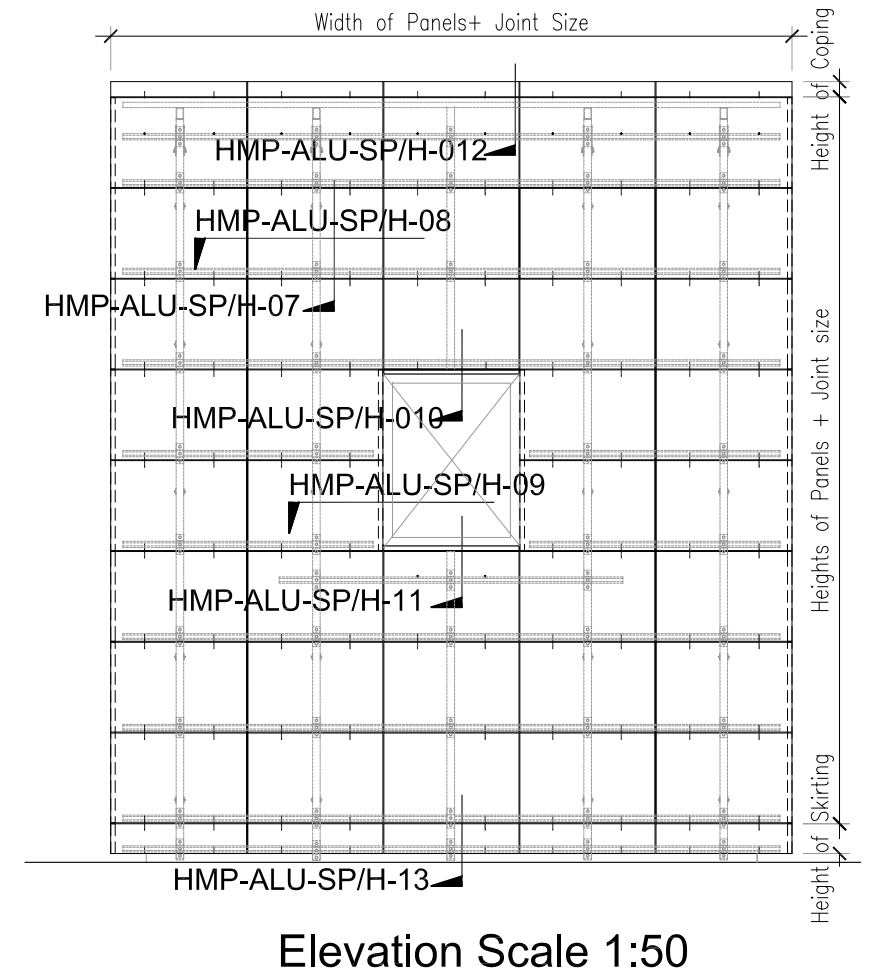
HAZ METAL Sanayi ve Ticaret A.S
 PO Box 241 31200 Iskenderun / Turkey
 Tel: +90 326 6262050 Faks: 6262045
 info@hazmetal.com / www.hazmetal.com.

HMP-ALU-SP/H

SUB CHANNEL SYSTEM



Vertical section Scale 1:4

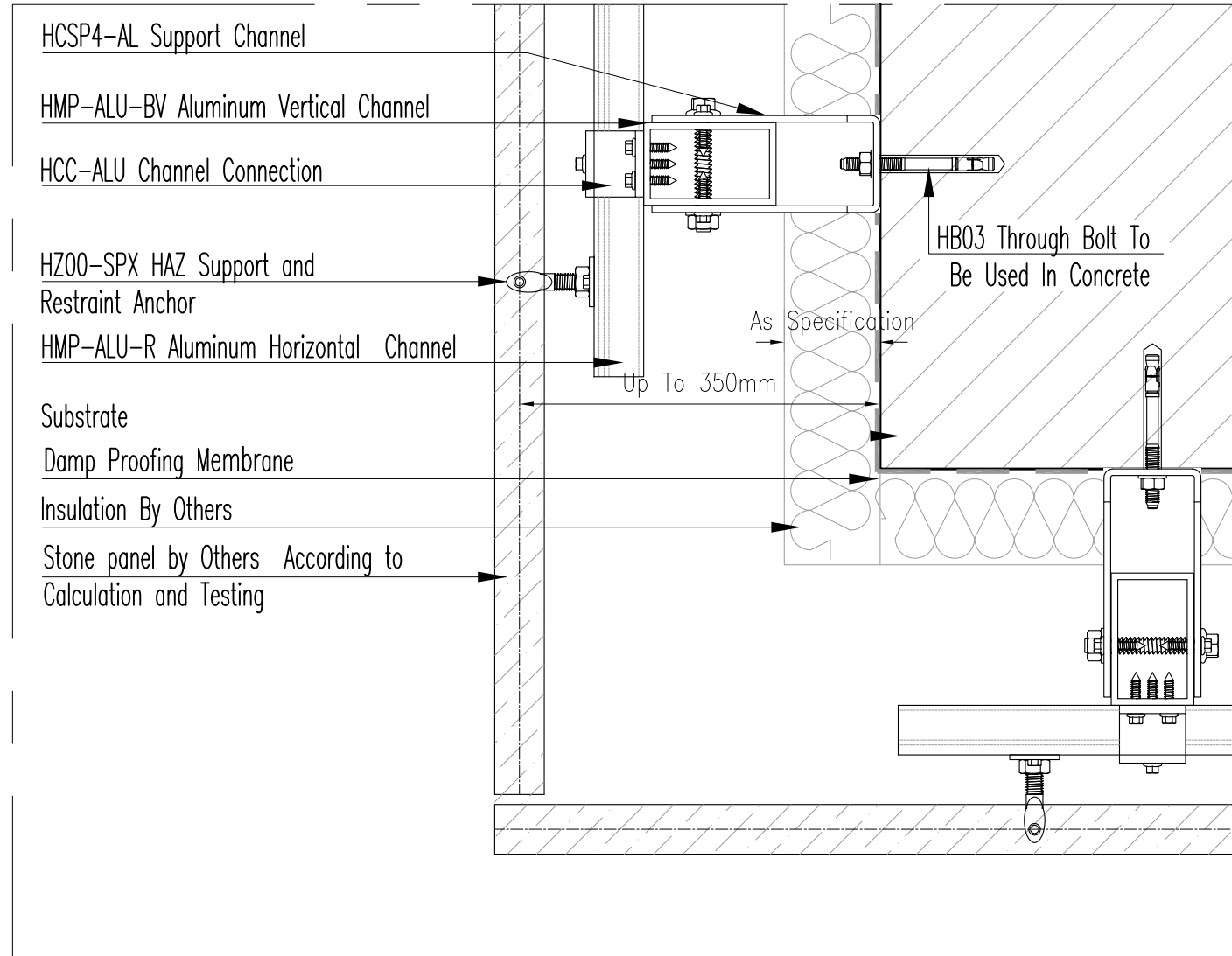


Title :		HMP-ALU-SP/H System - Stone Skirting - Vertical Section			
Drawing No.	HAZCD-HMP-ALU-SP/H-ST-13				
Series	Concept Drawings - Natural Stone Fixing System - HMP-ALU Sub Channel System				
Revision	01	Scale	As Shown	Paper Size: A3	Page : 13/16

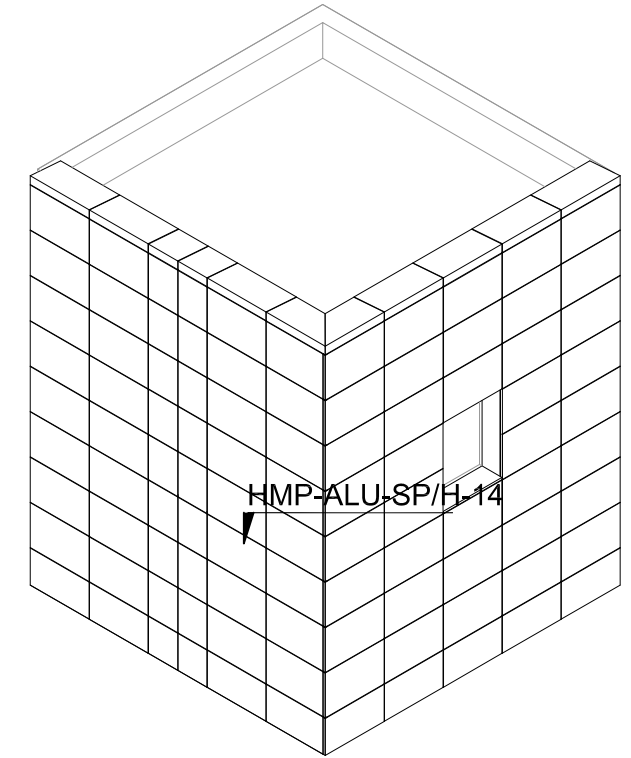
HAZ METAL Sanayi ve Ticaret A.S
 PO Box 241 31200 Iskenderun / Turkey
 Tel: +90 326 6262050 Faks: 6262045
 info@hazmetal.com / www.hazmetal.com.

HMP-ALU-SP/H

SUB CHANNEL SYSTEM



Horizontal section Scale 1:4



Isometric Scale 1:100

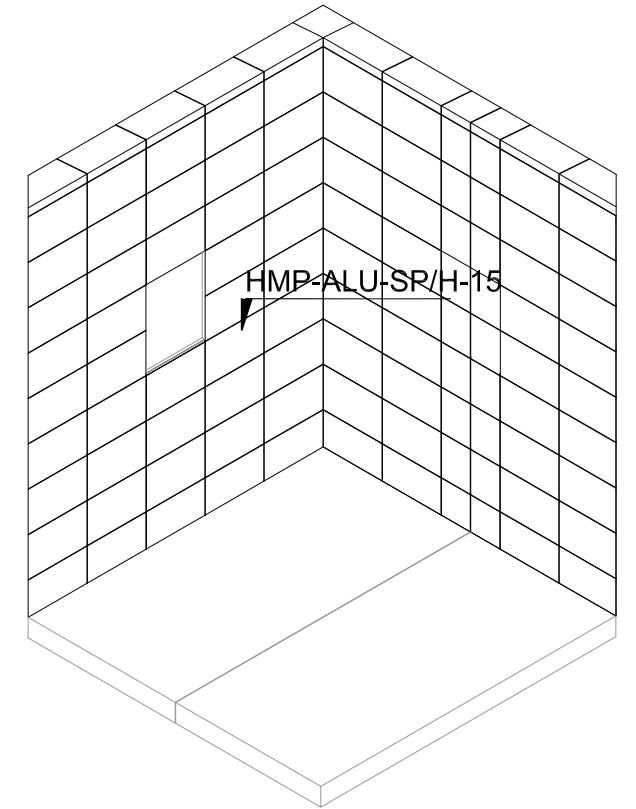
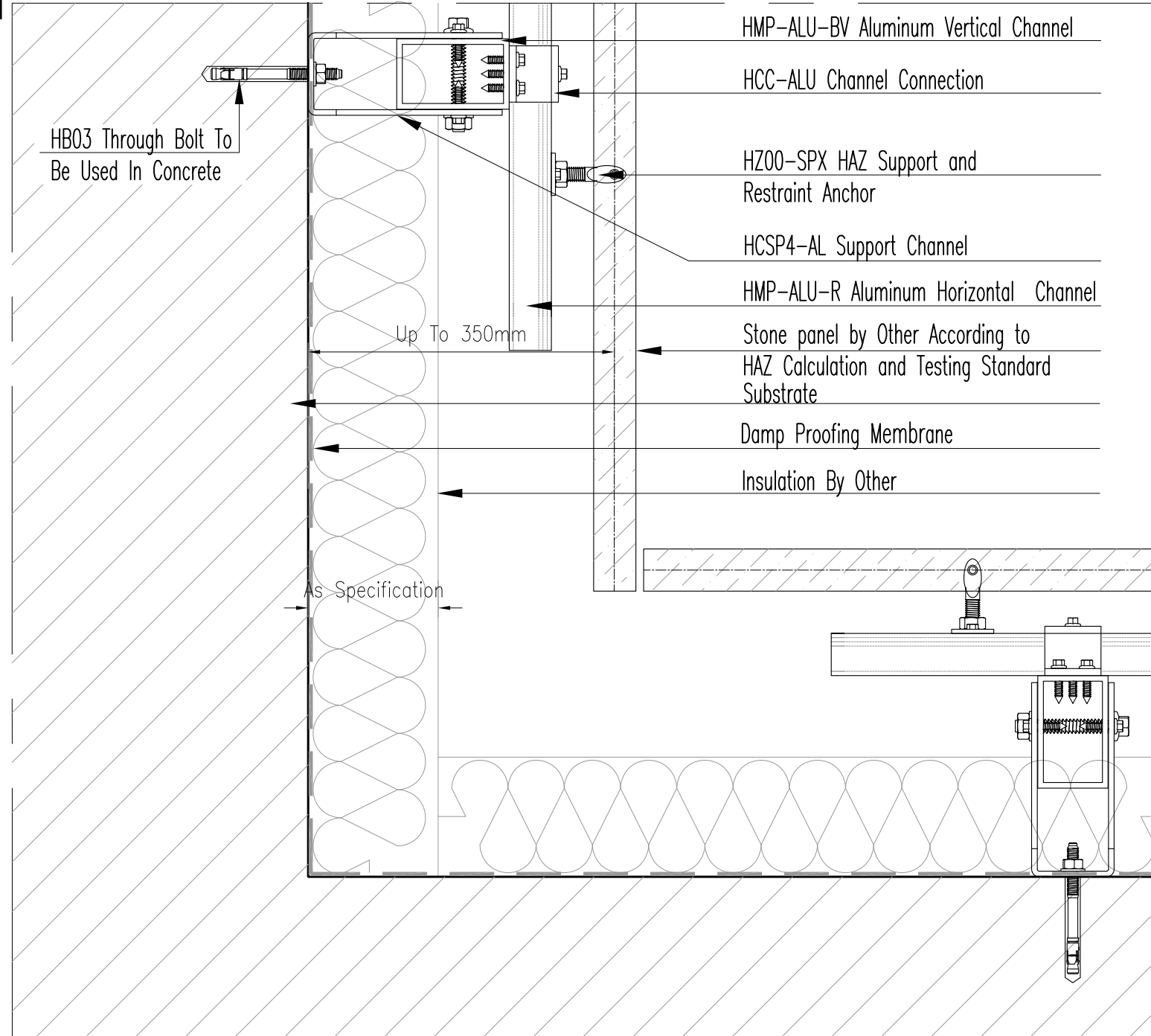


Title :		HMP-ALU-SP/H System - External Corner Stone Cladding - Horizontal Section			
Drawing No.		HAZCD-HMP-ALU-SP/H-ST-14			
Series		Concept Drawings - Natural Stone Fixing System - HMP-ALU Sub Channel System			
Revision		01	Scale	As Shown	Paper Size: A3
					Page : 14/16

HAZ METAL Sanayi ve Ticaret A.S
 PO Box 241 31200 Iskenderun / Turkey
 Tel: +90 326 6262050 Faks: 6262045
 info@hazmetal.com / www.hazmetal.com.

HMP-ALU-SP/H

SUB CHANNEL SYSTEM



Isometric Scale 1:100

Horizontal section Scale 1:4

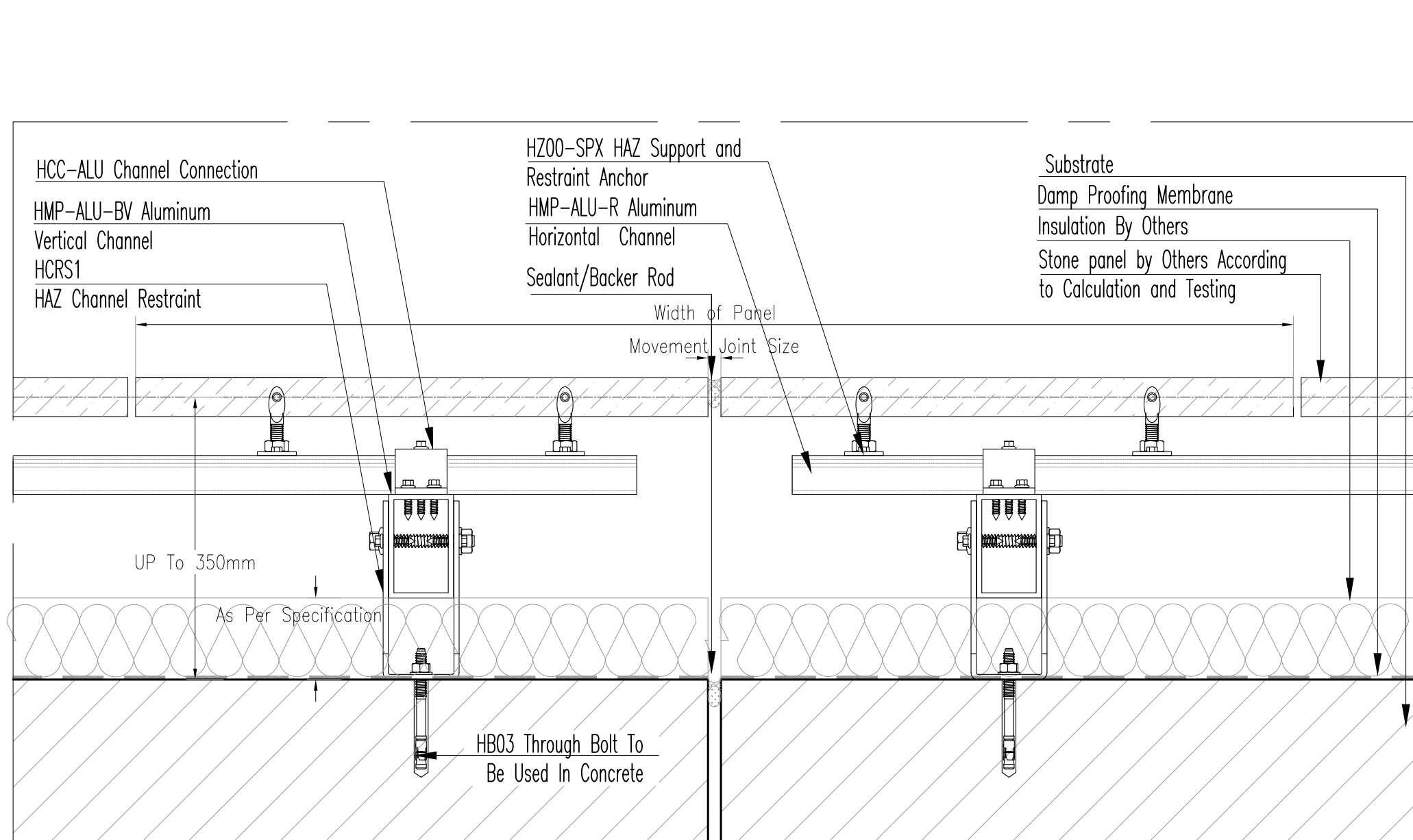


Title :		HMP-ALU-SP/H System - Internal Corner Stone Cladding - Horizontal Section			
Drawing No.	HAZCD-HMP-ALU-SP/H-ST-15				
Series	Concept Drawings - Natural Stone Fixing System - HMP-ALU Sub Channel System				
Revision	01	Scale	As Shown	Paper Size: A3	Page : 15/16

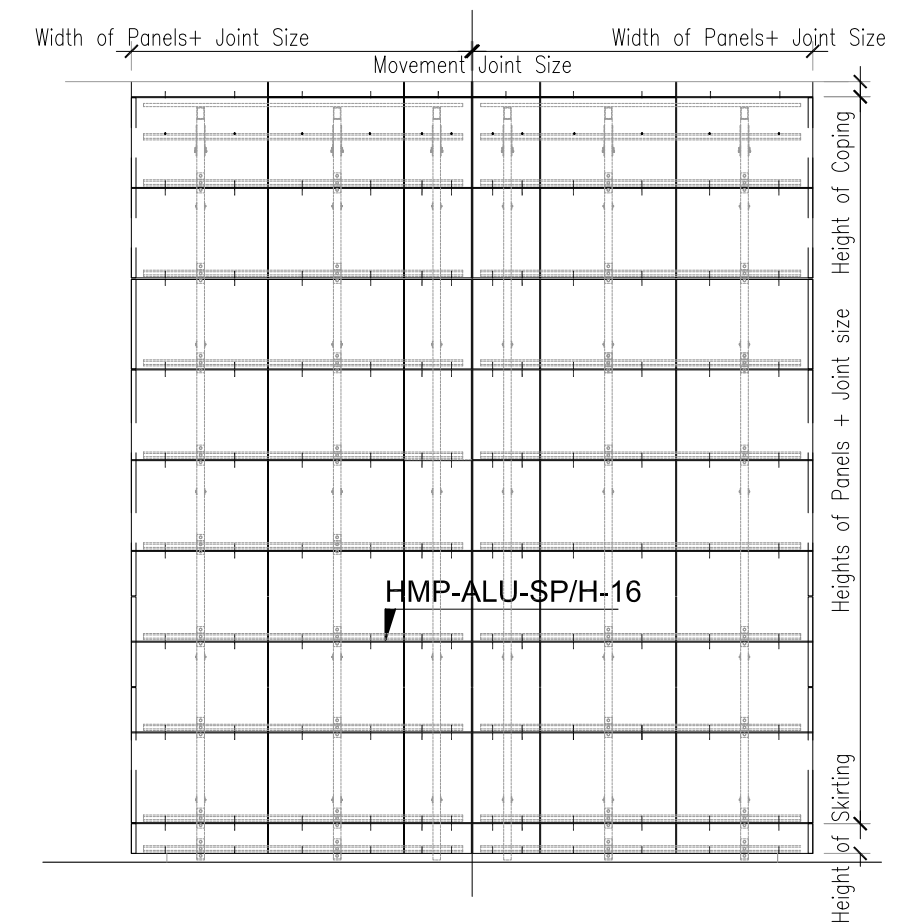
HAZ METAL Sanayi ve Ticaret A.S
 PO Box 241 31200 Iskenderun / Turkey
 Tel: +90 326 6262050 Faks: 6262045
 info@hazmetal.com / www.hazmetal.com.

HMP-ALU-SP/H

SUB CHANNEL SYSTEM



Horizontal section Scale 1:4



Variation on Typical Elevation
Scale 1:50



Title :		Horizontal Joint Installation -HMP-ALU-SP/H System - Movement Joint - Horizontal Section			
Drawing No.	HAZCD-HMP-ALU-SP/H-ST-16				
Series	Concept Drawings - Natural Stone Fixing System - HMP-ALU Sub Channel System				
Revision	01	Scale	As Shown	Paper Size: A3	Page : 16/16

HAZ METAL Sanayi ve Ticaret A.S
PO Box 241 31200 Iskenderun / Turkey
Tel: +90 326 6262050 Faks: 6262045
info@hazmetal.com / www.hazmetal.com.