

HAZ METAL
FIXING SYSTEMS

HMP-ALU-SP

SUB CHANNEL SYSTEM

Concept Drawings

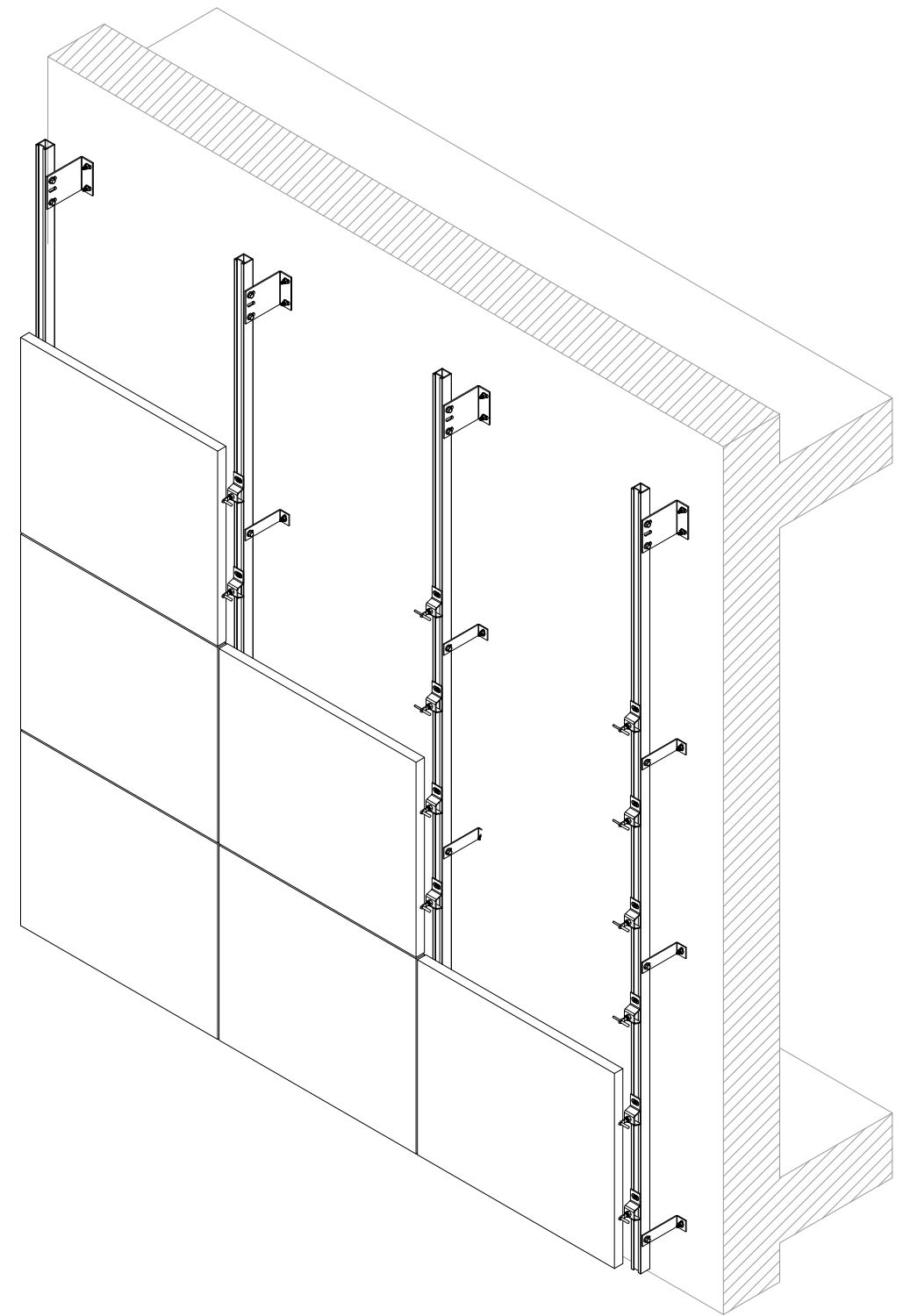
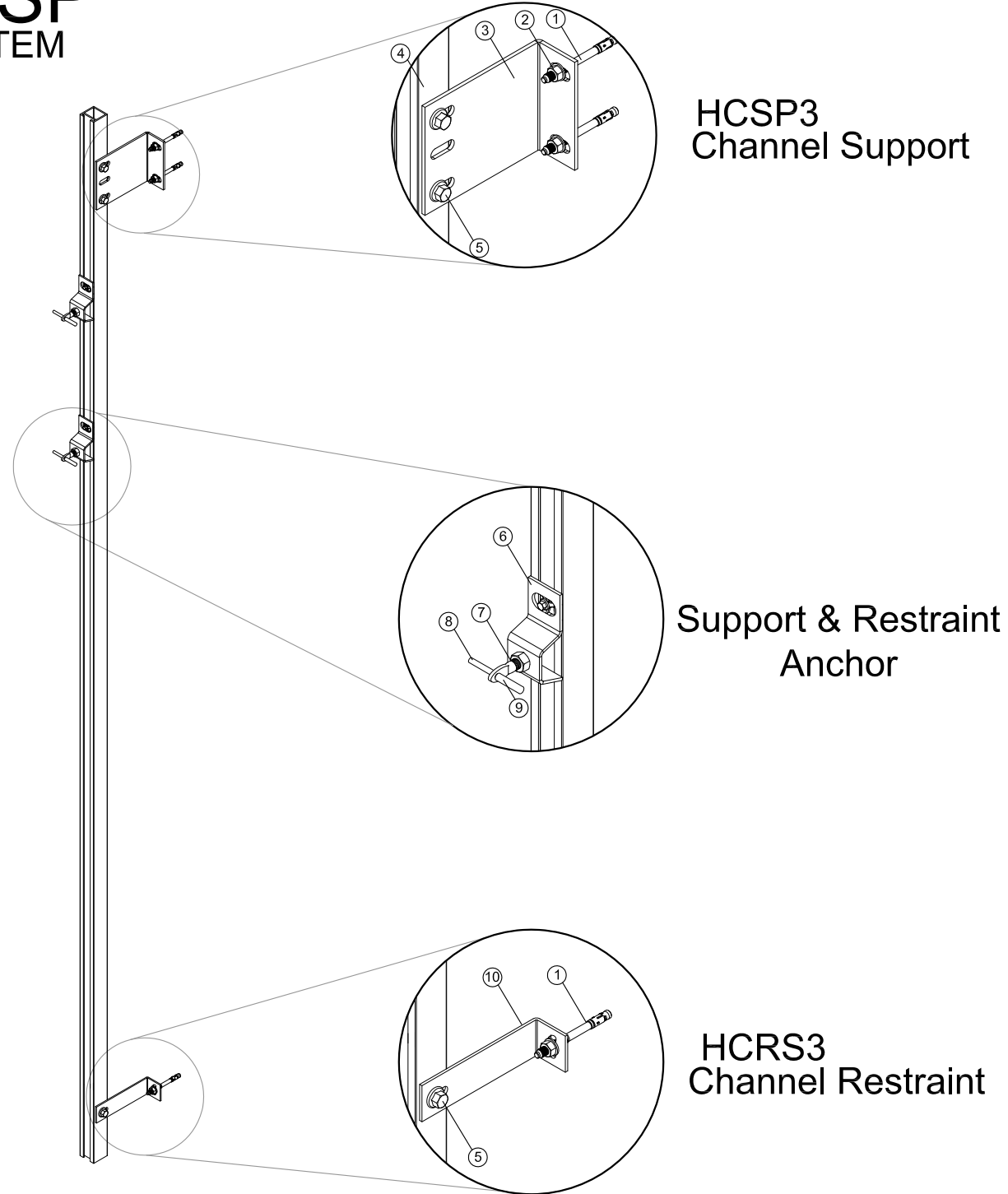
Series: HAZCD-HMP-ALU-SP-ST

Aluminum Support System For Rain
Screen Stone Cladding System for
Installation at Vertical Joints



HMP-ALU-SP

SUB CHANNEL SYSTEM



ISOMETRIC VIEW

Legend	
1	Through Bolt
2	Round Washer
3	Anchor Body
4	Channel Support
5	Hex Bolt
6	Anchor Body
7	Adjustable Arm
8	Flanged Pin
9	Plastic Tube
10	Channel Restraint Body

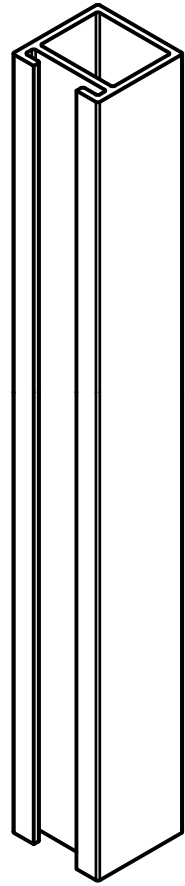


Title :		Natural Stone Facade - Built-up Cavity Wall - HMP-ALU-SP Vertical Joint installation			
Drawing No.		HAZCD-HMP-ALU-SP-ST-01			
Series		Concept Drawings - Natural Stone Fixing System - HMP-ALU Sub Channel System			
Revision	01	Scale	As Shown	Paper Size: A3	Page : 1/16

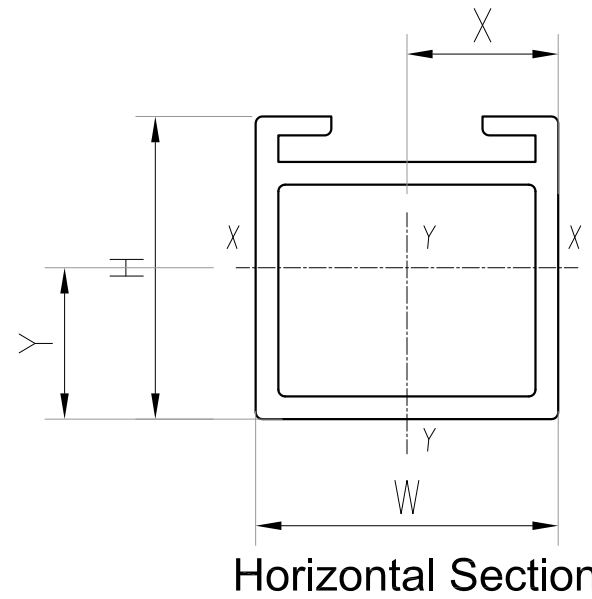
HAZ METAL Sanayi ve Ticaret A.S
 PO Box 241 31200 Iskenderun / Turkey
 Tel: +90 326 6262050 Faks: 6262045
 info@hazmetal.com / www.hazmetal.com.

HML-ALU-R

SUB CHANNEL SYSTEM



ISOMETRIC VIEW



Product Code	Technical Details								
	Dimensions			X-X Axis			Y-Y Axis		
	Thickness T(mm)	Width W(mm)	Height H(mm)	IXX (cm4)	ZX (cm3)	X (mm)	IYY (cm4)	ZY (cm3)	Y (mm)
HML-ALU-R-30	3.00	40.00	30.00	4.44	2.89	20.00	8.78	4.39	15.33
HML-ALU-R-40	3.00	40.00	40.00	9.50	4.76	20.00	10.84	5.42	19.92
HML-ALU-R-80	3.00	40.00	80.00	27.08	9.22	20.00	14.95	7.47	29.36

- Material : Extruded Aluminum Grade 6063 T66 Mill finish and black anodizes.
- Tables above is prepared according to plain finish without drilled holes.
- Channels can be provided up to 6 meters length.

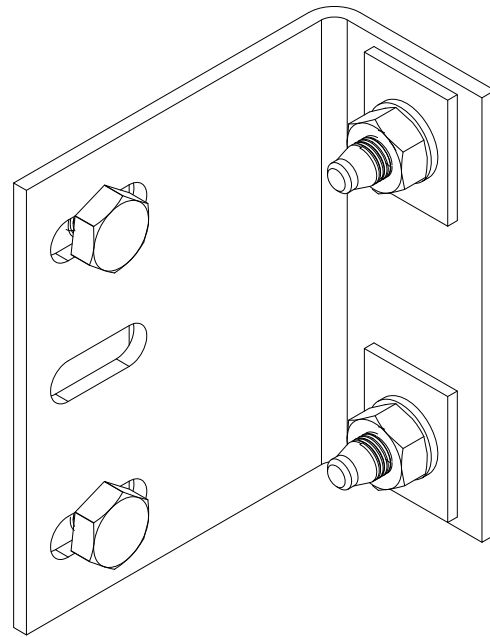


Title :		Natural Stone Facade - Built-up Cavity Wall - HML-ALU-R Specification								
Drawing No.		HAZCD-HMP-ALU-SP-ST-02								
Series		Concept Drawings - Natural Stone Fixing System - HMP-ALU Sub Channel System								
Revision		01	Scale		As Shown	Paper Size:		A3	Page :	2/16

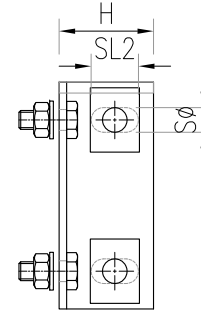
HAZ METAL Sanayi ve Ticaret A.S
 PO Box 241 31200 Iskenderun / Turkey
 Tel: +90 326 6262050 Faks: 6262045
 info@hazmetal.com / www.hazmetal.com.

HCSP3

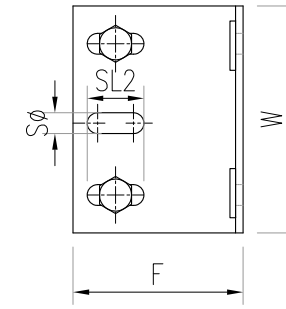
Channel Support



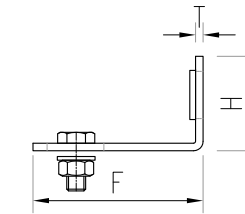
ISOMETRIC VIEW



Elevation View Scale 1:4



Side View Scale 1:4



Plan View Scale 1:4

Product Code	Technical Details							
	Thickness T(mm)	Width W(mm)	Height H(mm)	Forming F (mm)	Slot Hole Dia. S Ø(mm)	Slot Hole length SL(mm)	Hole Dia. Ø(mm)	Slot Hole length SL2(mm)
HCSP3-70	3	120	50	70	11	25	11	30
HCSP3-90	3	120	50	90	11	25	11	30
HCSP3-110	4	120	50	110	11	25	11	30
HCSP3-130	4	120	50	130	11	25	11	30
HCSP3-150	5	120	50	150	11	25	11	30
HCSP3-170	5	120	50	170	11	25	11	30
HCSP3-190	5	120	50	190	11	25	11	30
HCSP3-210	5	120	60	210	11	25	11	30
HCSP3-230	5	120	60	230	11	25	11	30



Title : Natural Stone Facade - Built-up Cavity Wall - HMP-ALU-SP System - HCSP3 Specification

Drawing No. HAZCD-HMP-ALU-SP-ST-03

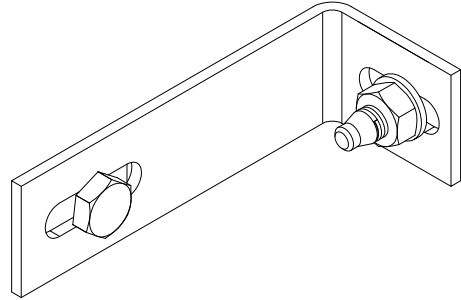
Series Concept Drawings - Natural Stone Fixing System - HMP-ALU Sub Channel System

Revision 01 Scale As Shown Paper Size: A3 Page : 3/16

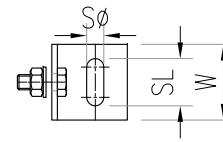
HAZ METAL Sanayi ve Ticaret A.S
PO Box 241 31200 Iskenderun / Turkey
Tel: +90 326 6262050 Faks: 6262045
info@hazmetal.com / www.hazmetal.com.

HCRS3

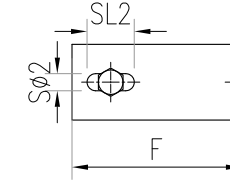
Channel Restraint



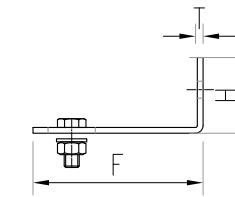
ISOMETRIC VIEW



Elevation View Scale 1:4



Side View Scale 1:4



Plan View Scale 1:4

Product Code	Technical Details							
	Thickness T(mm)	Width W(mm)	Height H(mm)	Forming F (mm)	Slot Hole Dia. S Ø(mm)	Slot Hole length SL(mm)	Hole Dia. Ø(mm)	Slot Hole length SL2(mm)
HCRS3-100	3	120	50	70	11	25	11	30
HCRS3-120	3	120	50	90	11	25	11	30
HCRS3-140	4	120	50	110	11	25	11	30
HCRS3-160	4	120	50	130	11	25	11	30
HCRS3-180	5	120	50	150	11	25	11	30
HCRS3-210	5	120	50	170	11	25	11	30
HCRS3-240	5	120	50	190	11	25	11	30
HCRS3-270	5	120	60	210	11	25	11	30
HCRS3-300	5	120	60	230	11	25	11	30

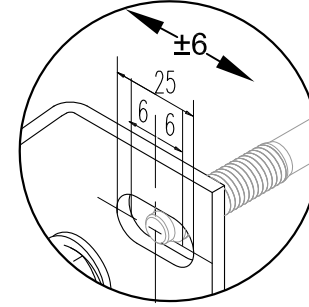
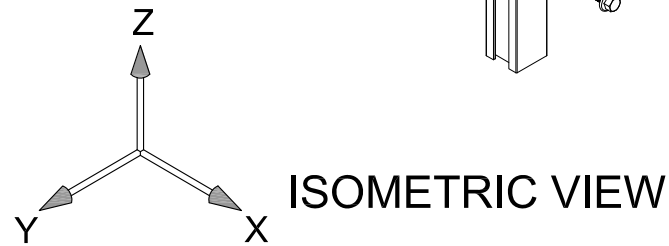
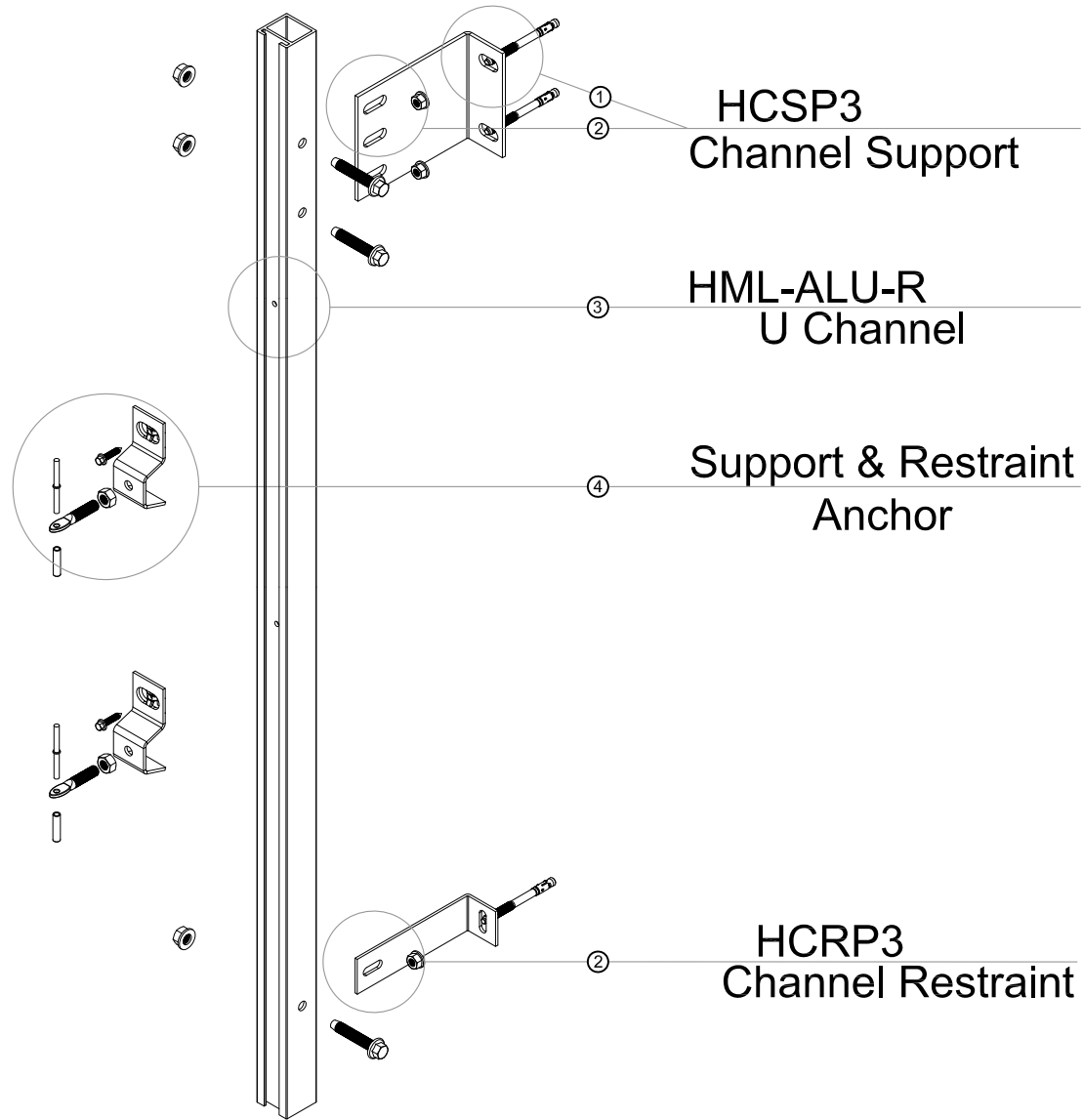


HAZ METAL Sanayi ve Ticaret A.S
 PO Box 241 31200 Iskenderun / Turkey
 Tel: +90 326 6262050 Faks: 6262045
 info@hazmetal.com / www.hazmetal.com.

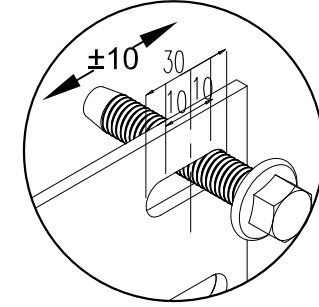
Title :		Natural Stone Facade - Built-up Cavity Wall - HMP-ALU-SP System- HCRS3 Specification					
Drawing No.	HAZCD-HMP-ALU-SP-ST-04						
Series	Concept Drawings - Natural Stone Fixing System - HMP-ALU Sub Channel System						
Revision	01	Scale	As Shown	Paper Size:	A3	Page :	4/16

HMP-ALU-SP

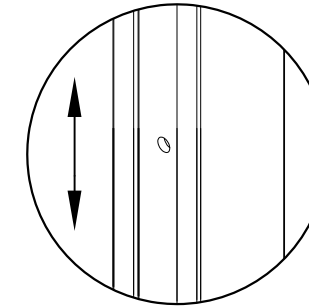
SUB CHANNEL SYSTEM



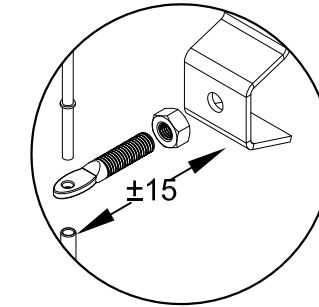
① The Adjustability on the X axis is Provided by Slotted hole ± 6 mm .



② The Adjustability on the Y axis is Provided by Slotted hole ± 10 mm .



③ Adjustment of the anchor Up and Down on the Z Axis is provided by slotted Channel.



④ Adjustment of the Projection size on the Y Axis is provided by rotating the adjustable arm ± 15 mm.

Note: For Further Dimension Refer to Each Items Details Drawings.

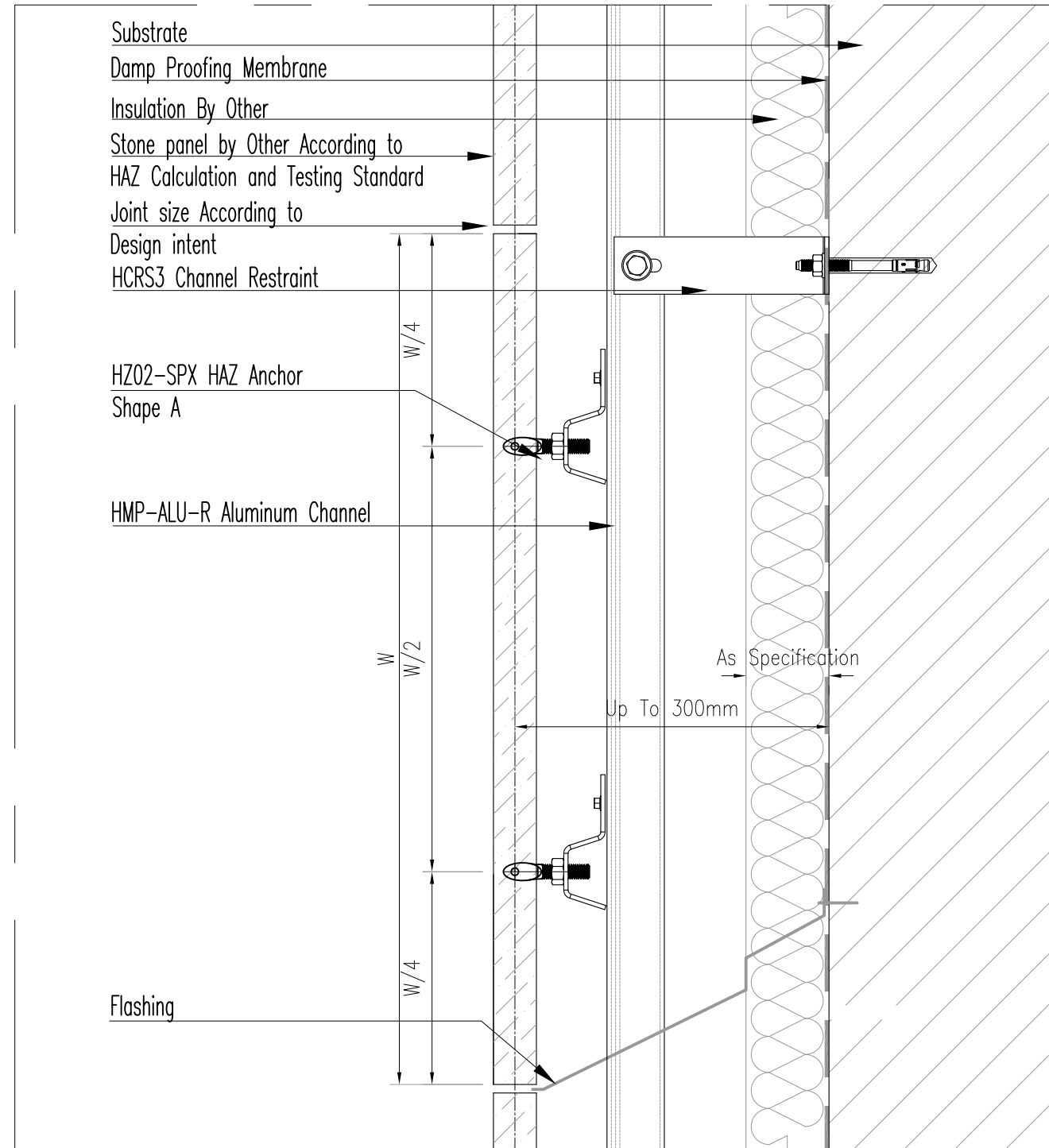


HAZ METAL Sanayi ve Ticaret A.S
PO Box 241 31200 Iskenderun / Turkey
Tel: +90 326 6262050 Faks: 6262045
info@hazmetal.com / www.hazmetal.com.

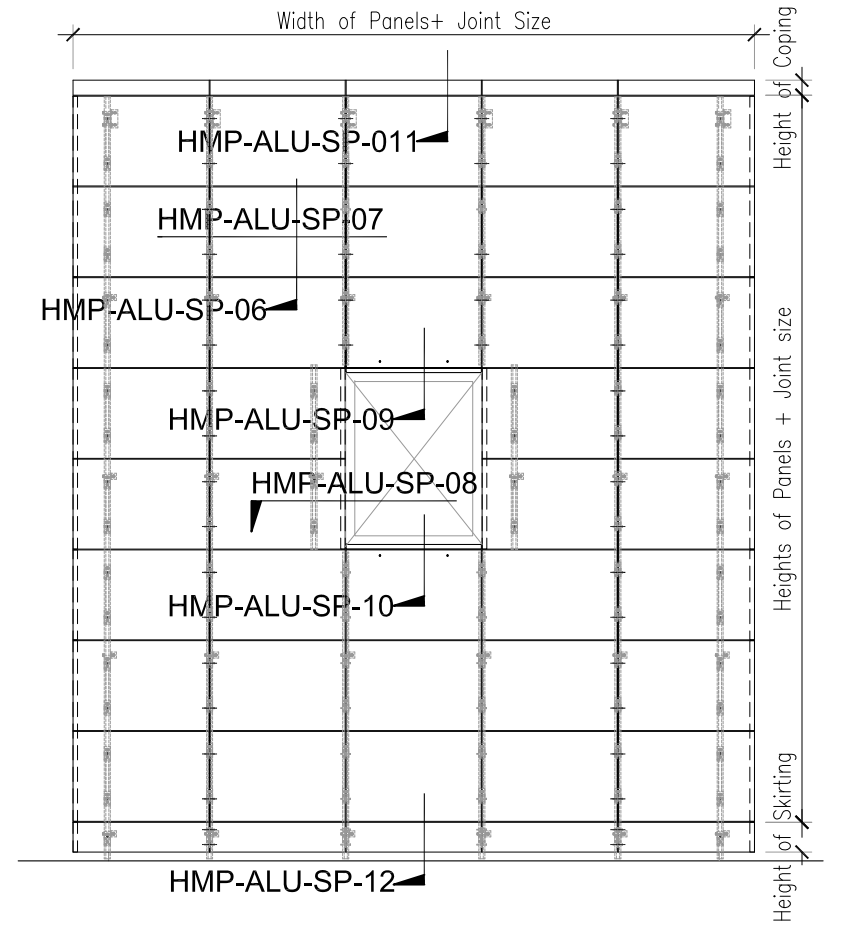
Title : Natural Stone Facade - Built-up Cavity Wall - HMP-ALU-SP System - Adjustability					
Drawing No.	HAZCD-HMP-ALU-SP-ST-05				
Series	Concept Drawings - Natural Stone Fixing System - HMP-ALU Sub Channel System				
Revision	01	Scale	As Shown	Paper Size: A3	Page : 5/16

HMP-ALU-SP

SUB CHANNEL SYSTEM



Vertical section Scale 1:4



Elevation Scale 1:50

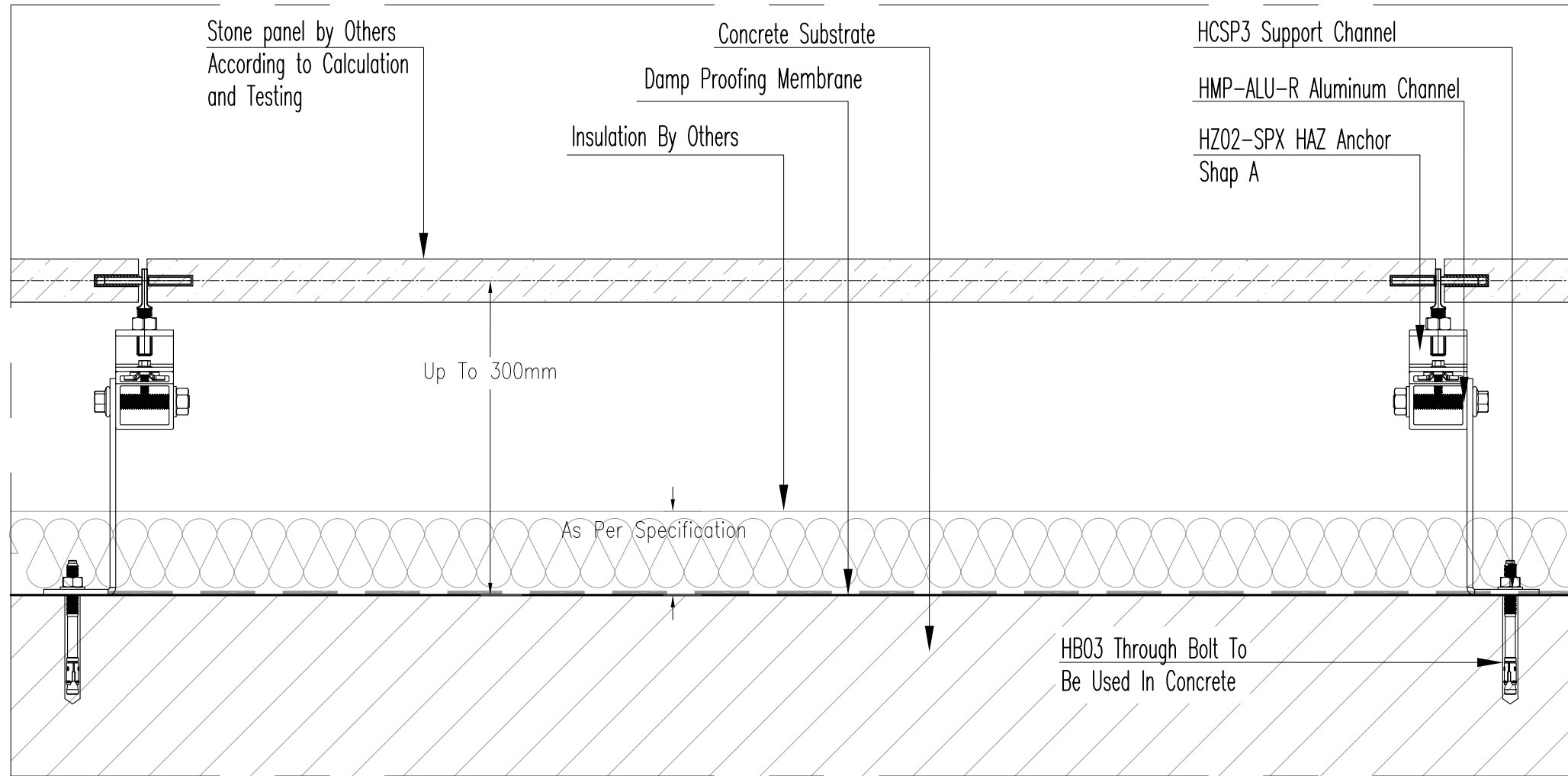


Title :		Vertical Joint Installation - Typical Stone Claddings - HMP-ALU-SP System - Vertical Section			
Drawing No.		HAZCD-HMP-ALU-SP-ST-06			
Series		Concept Drawings - Natural Stone Fixing System - HMP-ALU Sub Channel System			
Revision	01	Scale	As Shown	Paper Size: A3	Page : 6/16

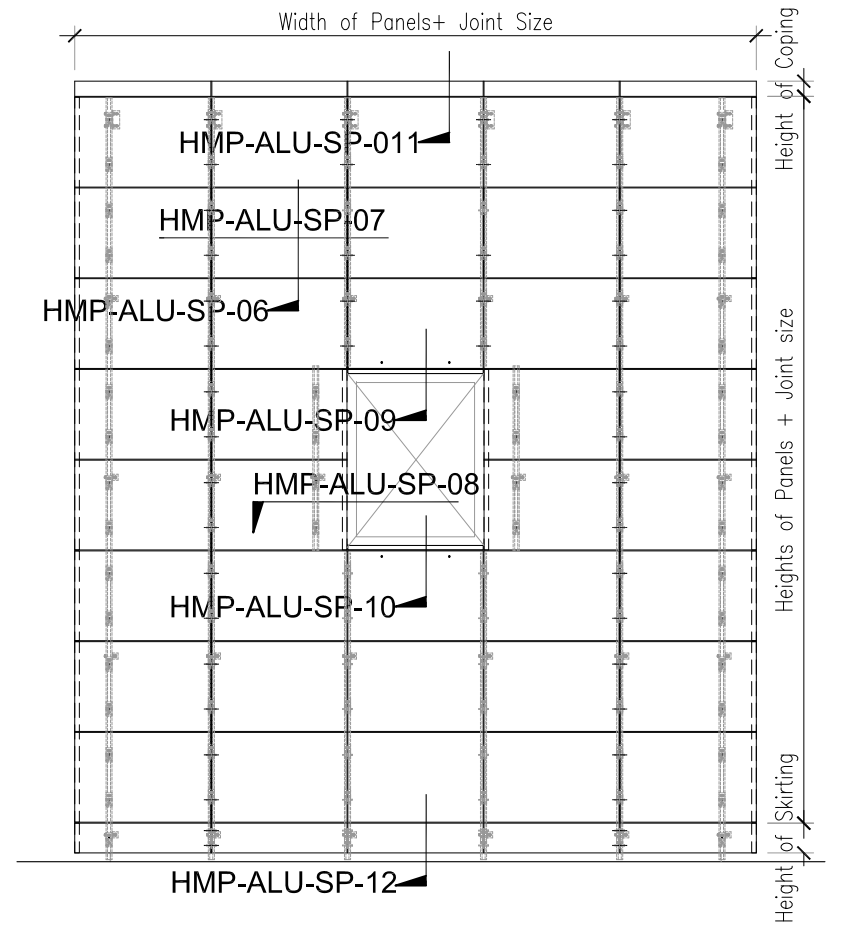
HAZ METAL Sanayi ve Ticaret A.S
PO Box 241 31200 Iskenderun / Turkey
Tel: +90 326 6262050 Faks: 6262045
info@hazmetal.com / www.hazmetal.com.

HMP-ALU-SP

SUB CHANNEL SYSTEM



Horizontal section Scale 1:4



Elevation Scale 1:50

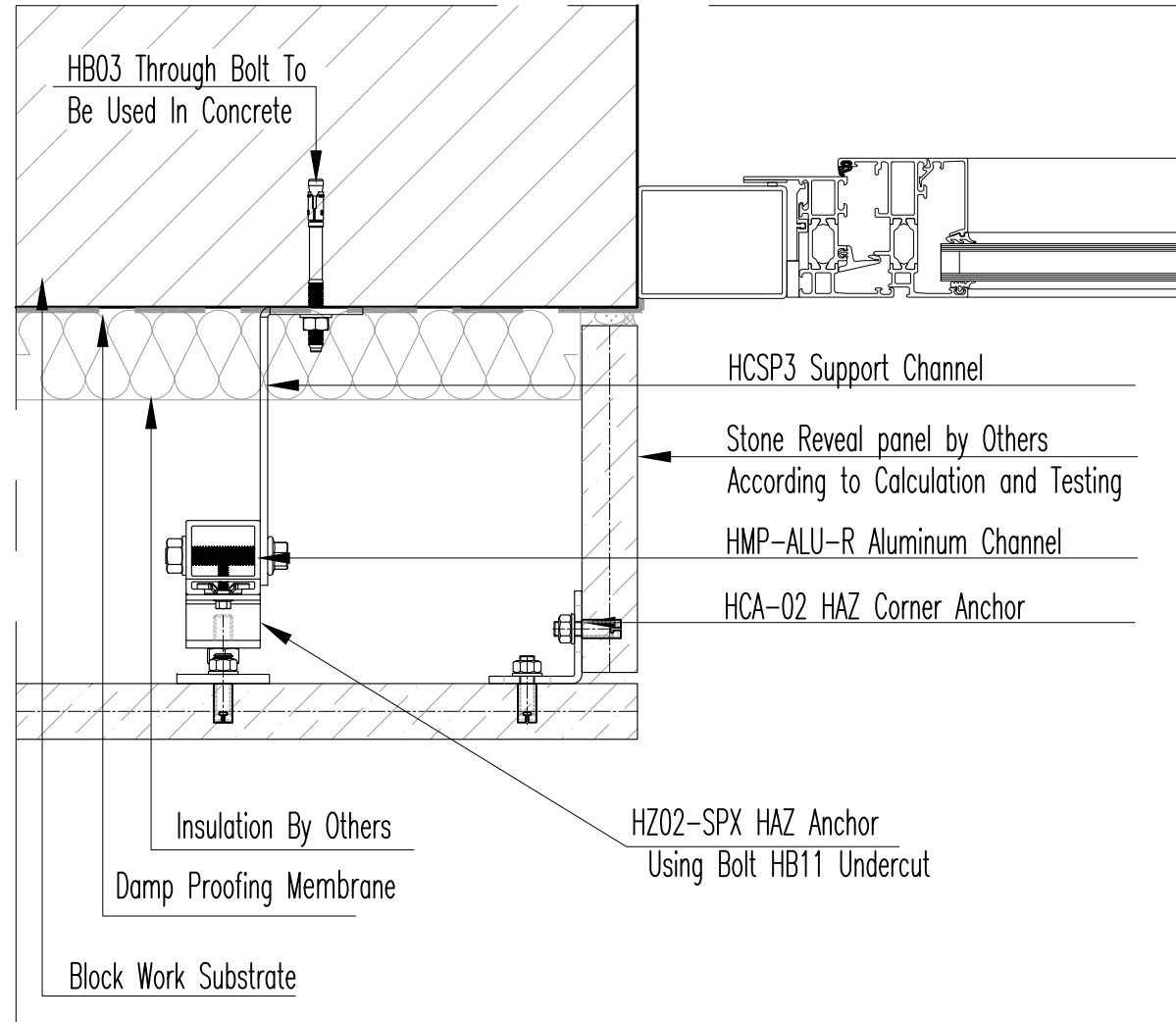


Title :		Vertical Joint Installation - HMP-ALU-SP System - Typical Stone Claddings - Horizontal Section			
Drawing No.		HAZCD-HMP-ALU-SP-ST-07			
Series		Concept Drawings - Natural Stone Fixing System - HMP-ALU Sub Channel System			
Revision		01	Scale	As Shown	Paper Size: A3
					Page : 7/16

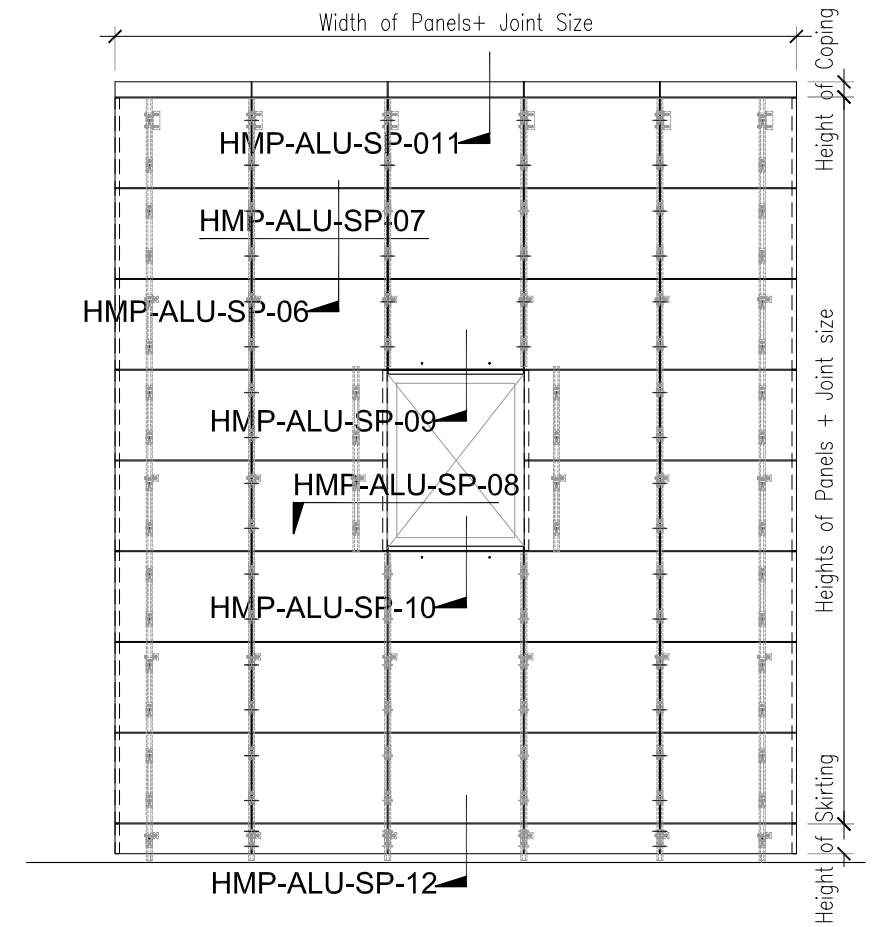
HAZ METAL Sanayi ve Ticaret A.S
PO Box 241 31200 Iskenderun / Turkey
Tel: +90 326 6262050 Faks: 6262045
info@hazmetal.com / www.hazmetal.com.

HMP-ALU-SP

SUB CHANNEL SYSTEM



Horizontal section Scale 1:4



Elevation Scale 1:50

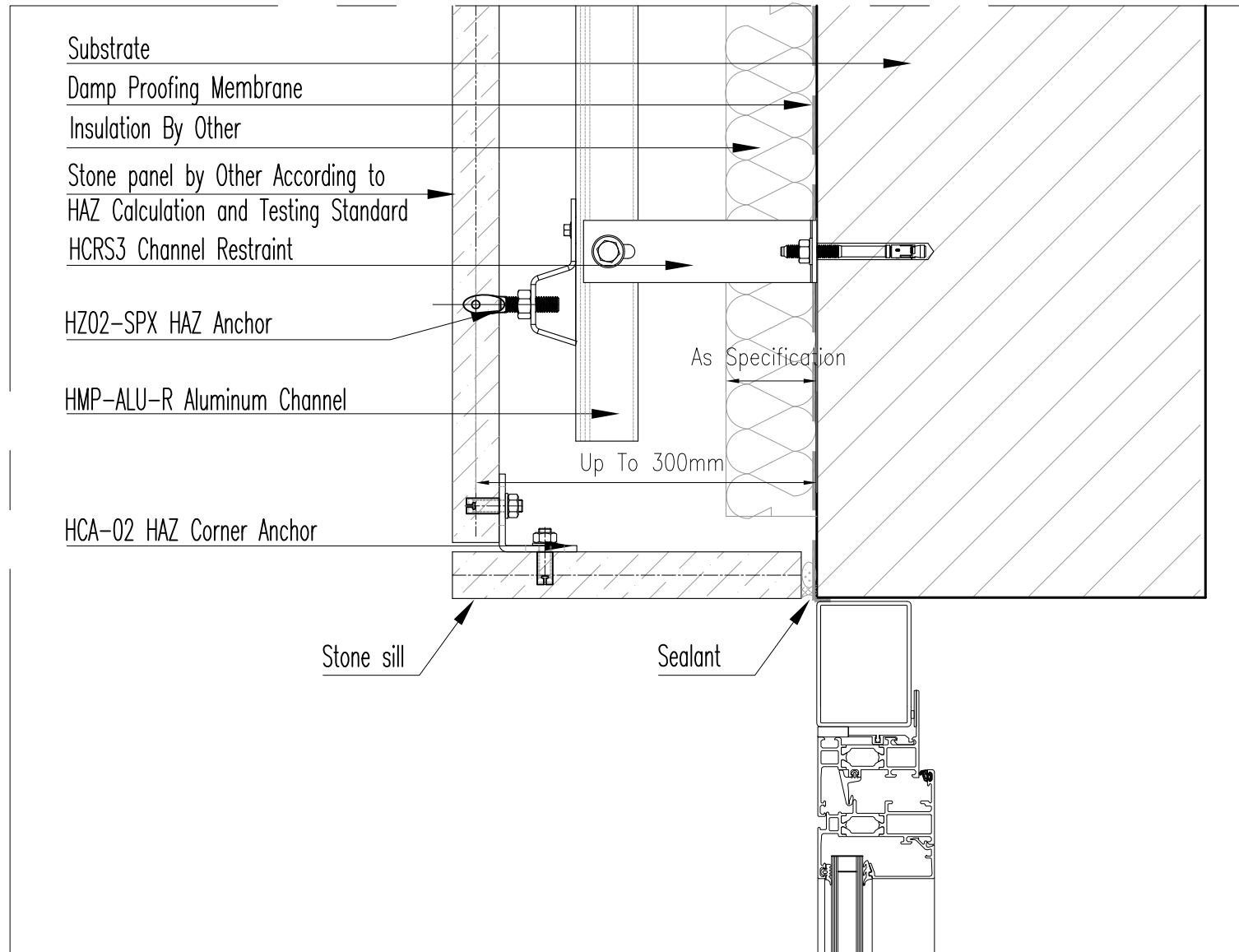


Title :		HMP-ALU-SP System - Stone Reveal - Horizontal Section			
Drawing No.		HAZCD-HMP-ALU-SP-ST-08			
Series		Concept Drawings - Natural Stone Fixing System - HMP-ALU Sub Channel System			
Revision		01	Scale	As Shown	Paper Size: A3
					Page : 8/16

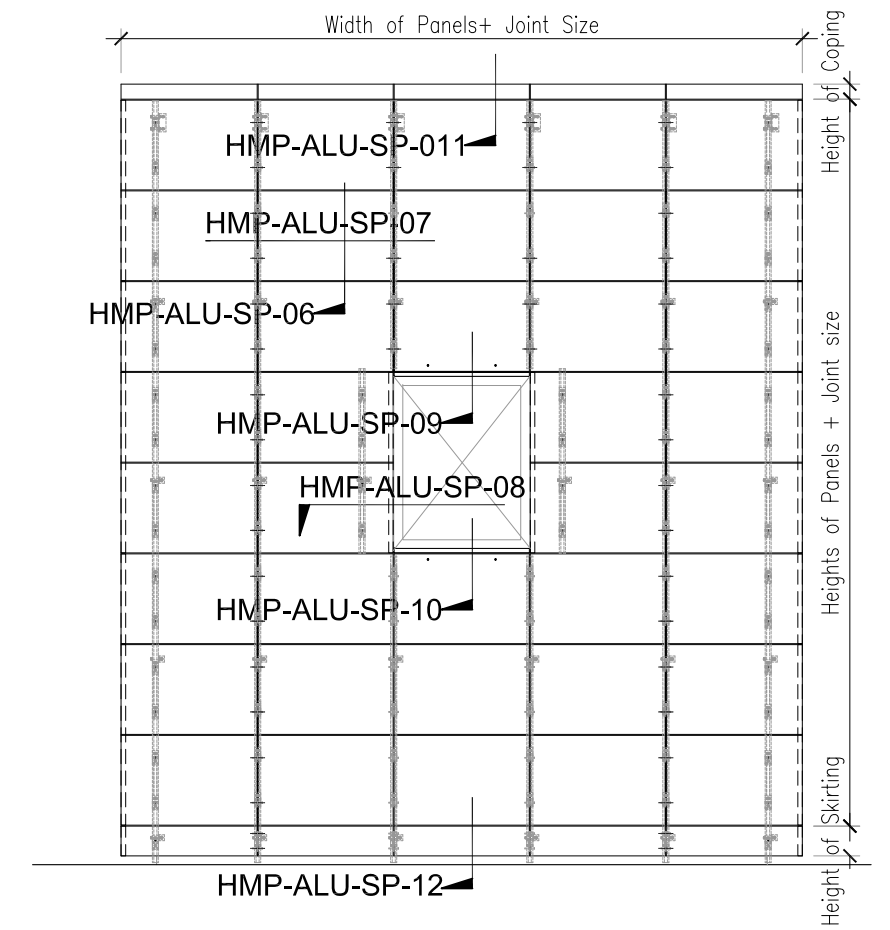
HAZ METAL Sanayi ve Ticaret A.S
 PO Box 241 31200 Iskenderun / Turkey
 Tel: +90 326 6262050 Faks: 6262045
 info@hazmetal.com / www.hazmetal.com.

HMP-ALU-SP

SUB CHANNEL SYSTEM



Vertical section Scale 1:4



Elevation Scale 1:50

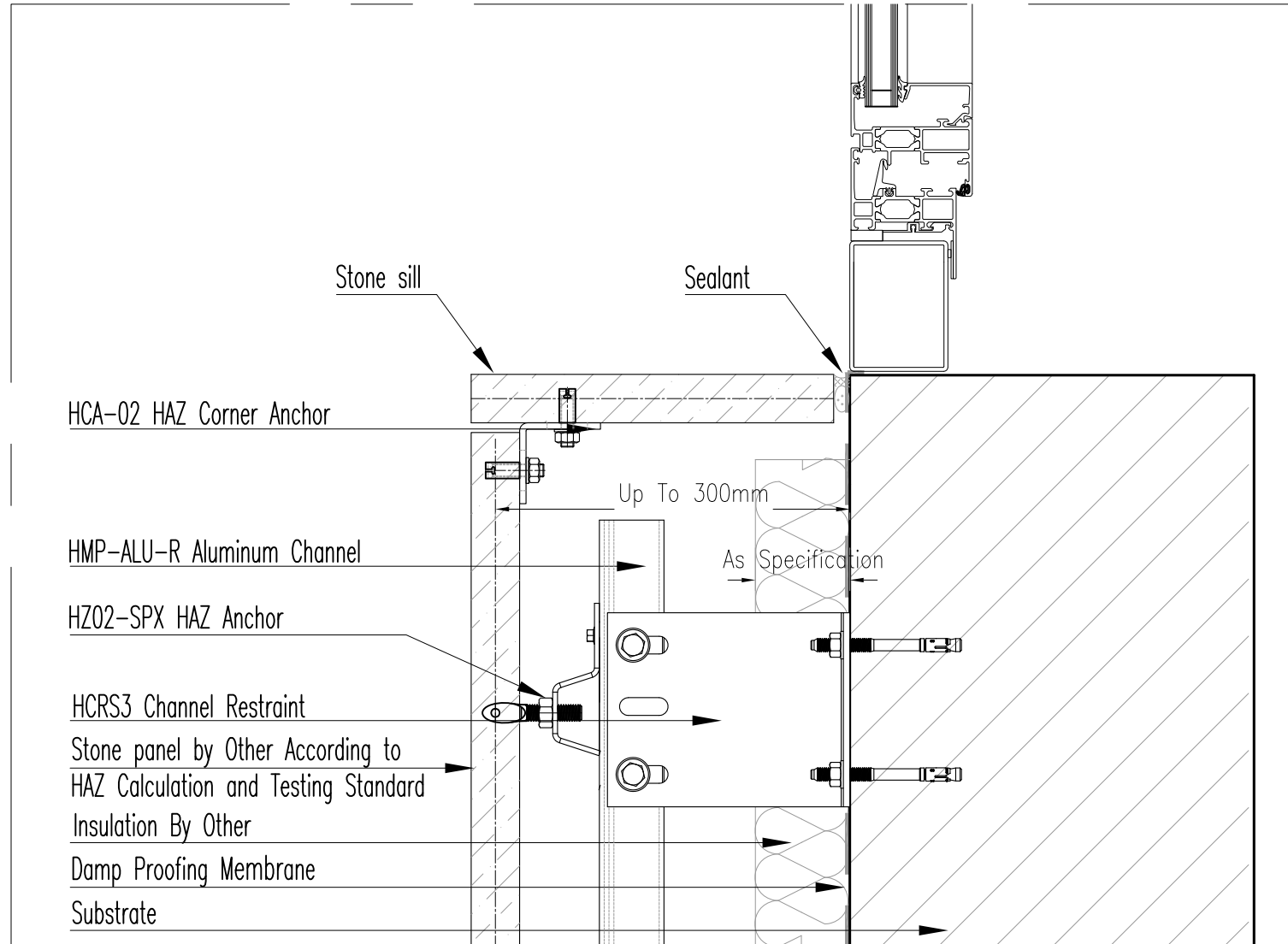


Title :		Vertical Joint Installation - HMP-ALU-SP System -- Stone Soffit - Vertical Section			
Drawing No.		HAZCD-HMP-ALU-SP-ST-09			
Series		Concept Drawings - Natural Stone Fixing System - HMP-ALU Sub Channel System			
Revision		01	Scale	As Shown	Paper Size: A3
					Page : 9/16

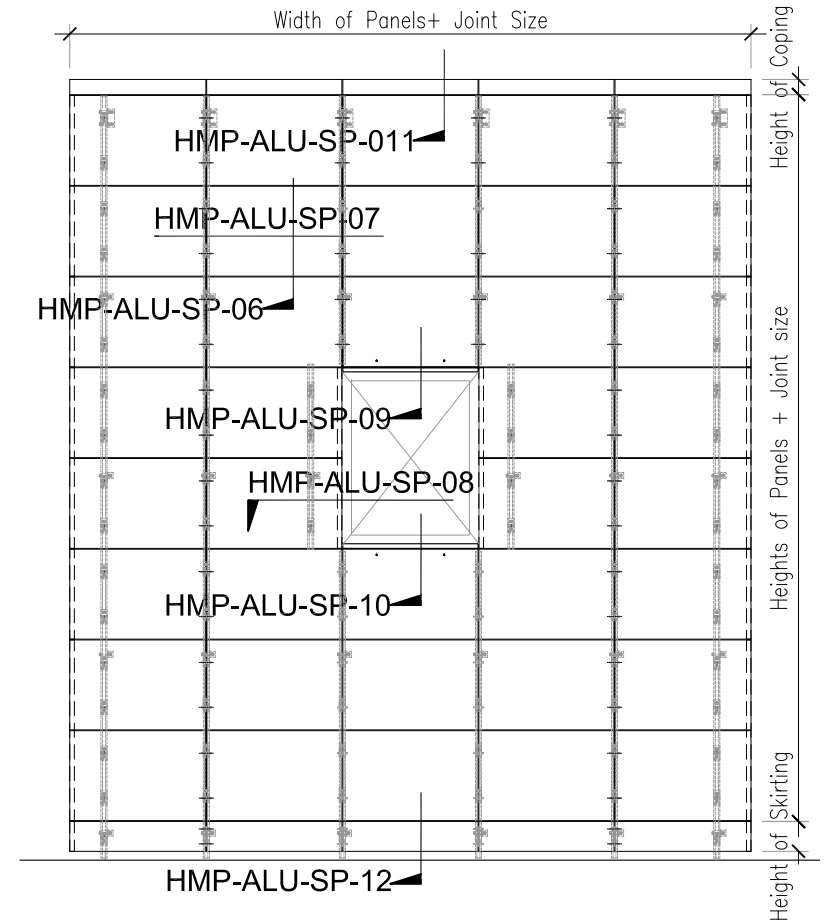
HAZ METAL Sanayi ve Ticaret A.S
 PO Box 241 31200 Iskenderun / Turkey
 Tel: +90 326 6262050 Faks: 6262045
 info@hazmetal.com / www.hazmetal.com.

HMP-ALU-SP

SUB CHANNEL SYSTEM



Vertical section Scale 1:4



Elevation Scale 1:50

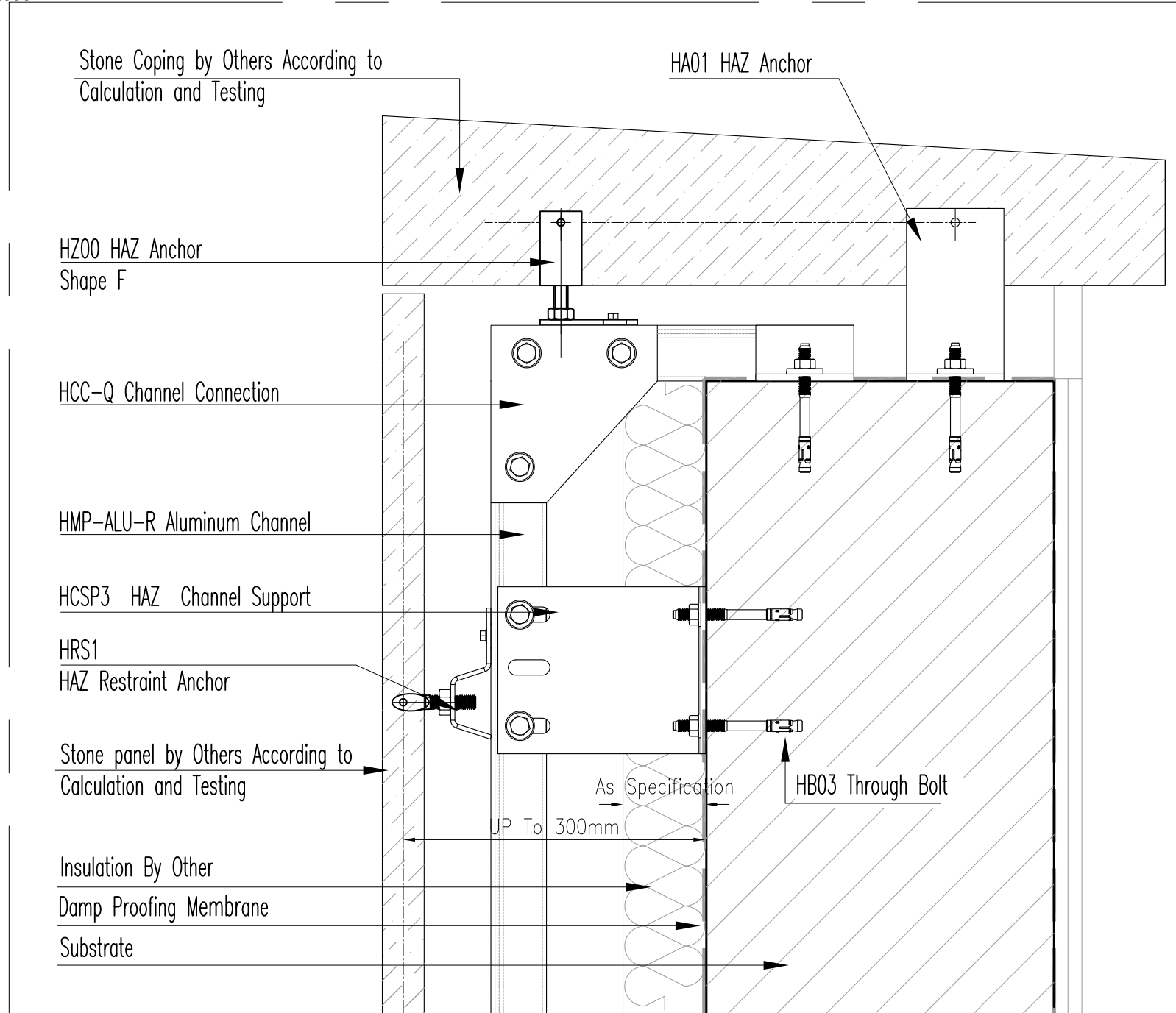


Title :		Vertical Joint Installation -- HMP-ALU-SP System - Stone Sill - Vertical Section			
Drawing No.		HAZCD-HMP-ALU-SP-ST-10			
Series		Concept Drawings - Natural Stone Fixing System - HMP-ALU Sub Channel System			
Revision		01	Scale	As Shown	Paper Size: A3
					Page : 10/16

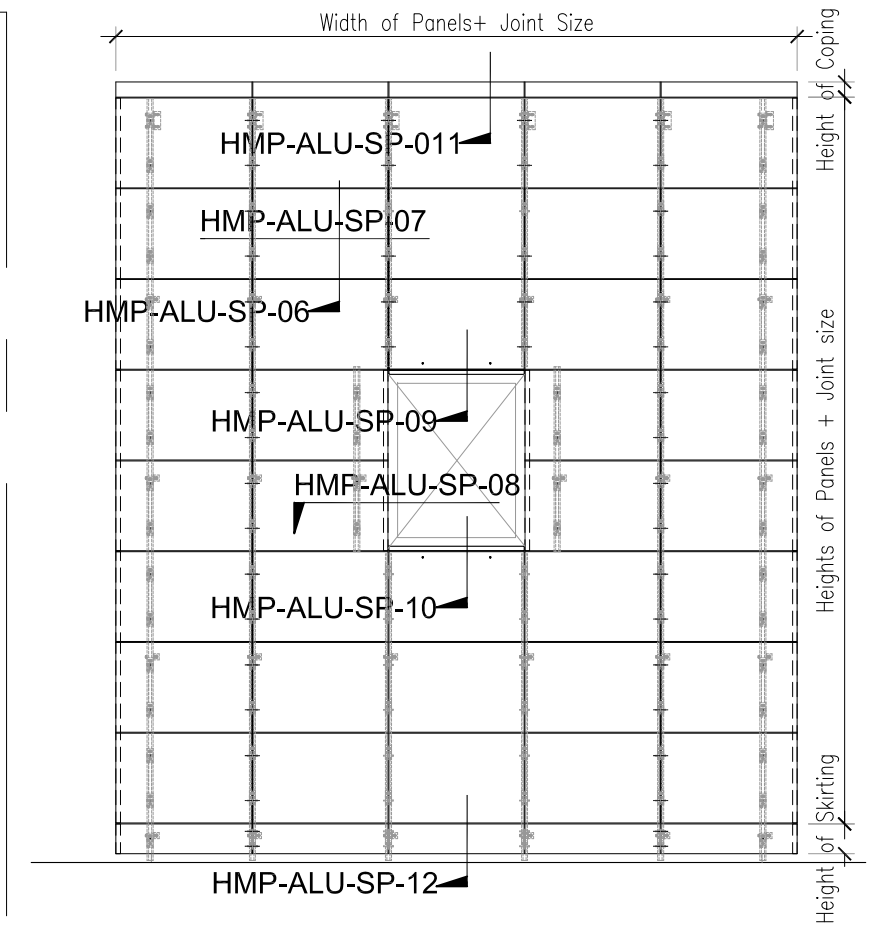
HAZ METAL Sanayi ve Ticaret A.S
 PO Box 241 31200 Iskenderun / Turkey
 Tel: +90 326 6262050 Faks: 6262045
 info@hazmetal.com / www.hazmetal.com.

HMP-ALU-SP

SUB CHANNEL SYSTEM



Vertical section Scale 1:4



Elevation Scale 1:50

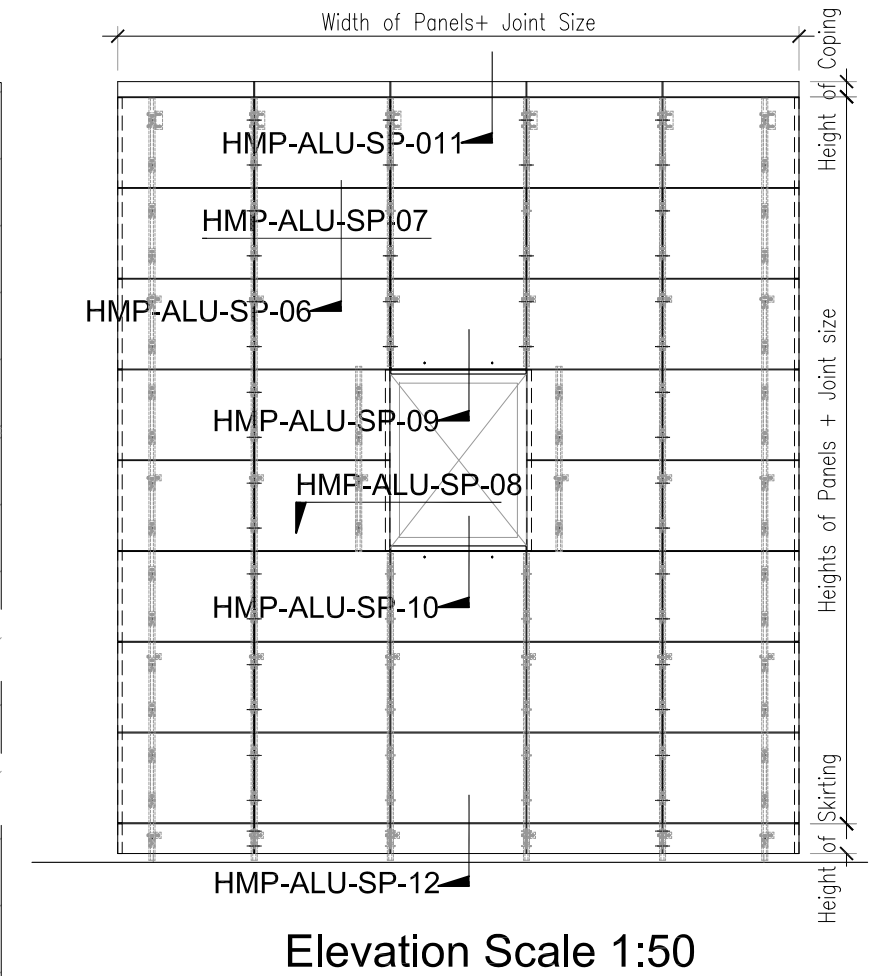
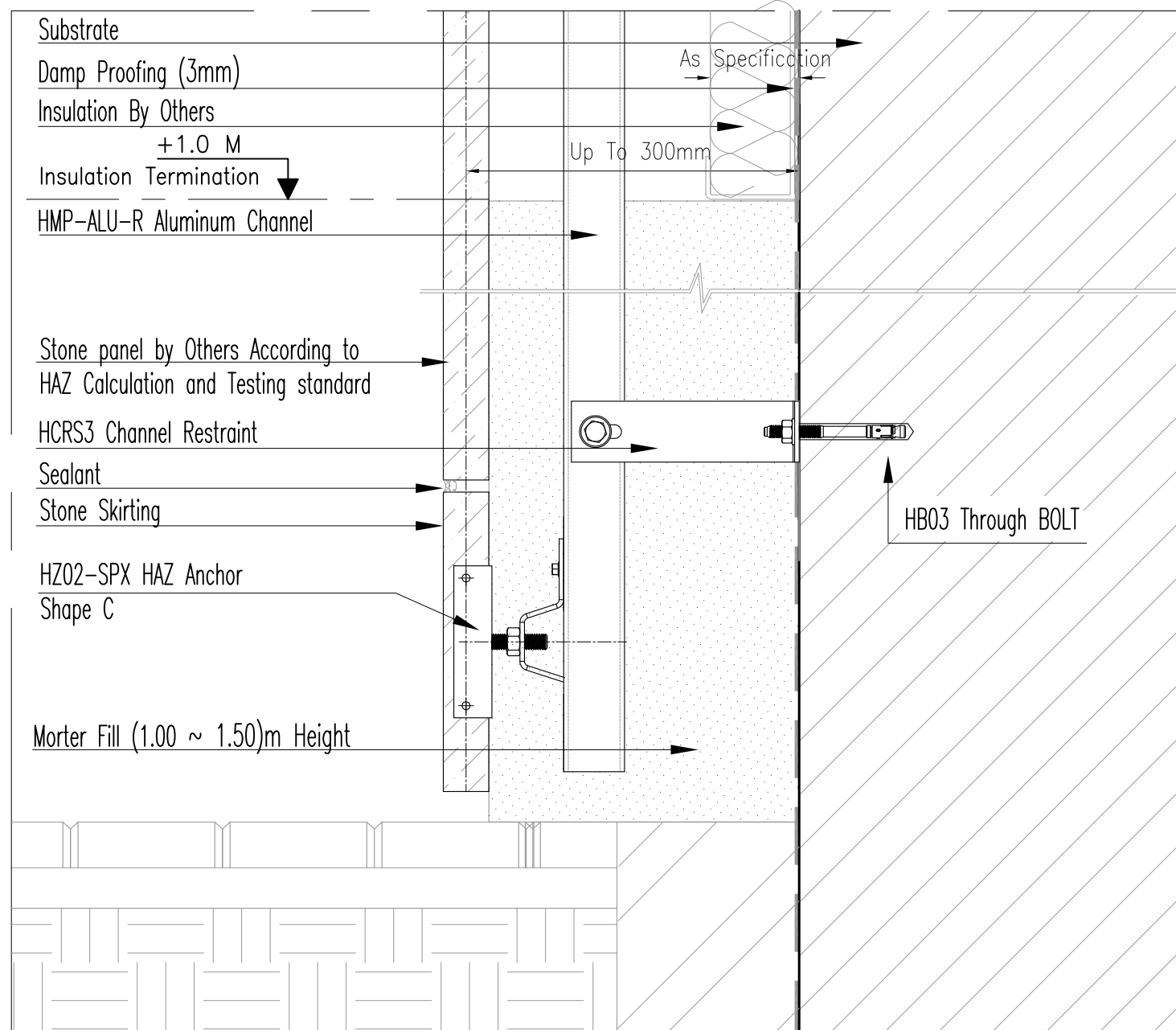


Title :		Vertical Joint Installation -HMP-ALU-SP System - Stone Coping - Vertical Section			
Drawing No.		HAZCD-HMP-ALU-SP-ST-11			
Series		Concept Drawings - Natural Stone Fixing System - HMP-ALU Sub Channel System			
Revision	01	Scale	As Shown	Paper Size: A3	Page : 11/16

HAZ METAL Sanayi ve Ticaret A.S
 PO Box 241 31200 Iskenderun / Turkey
 Tel: +90 326 6262050 Faks: 6262045
 info@hazmetal.com / www.hazmetal.com.

HMP-ALU-SP

SUB CHANNEL SYSTEM



Vertical section Scale 1:4

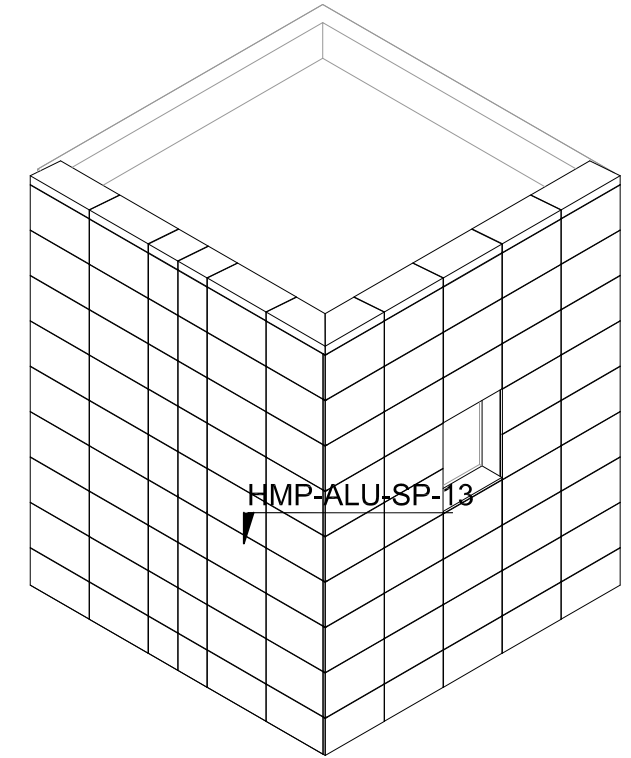
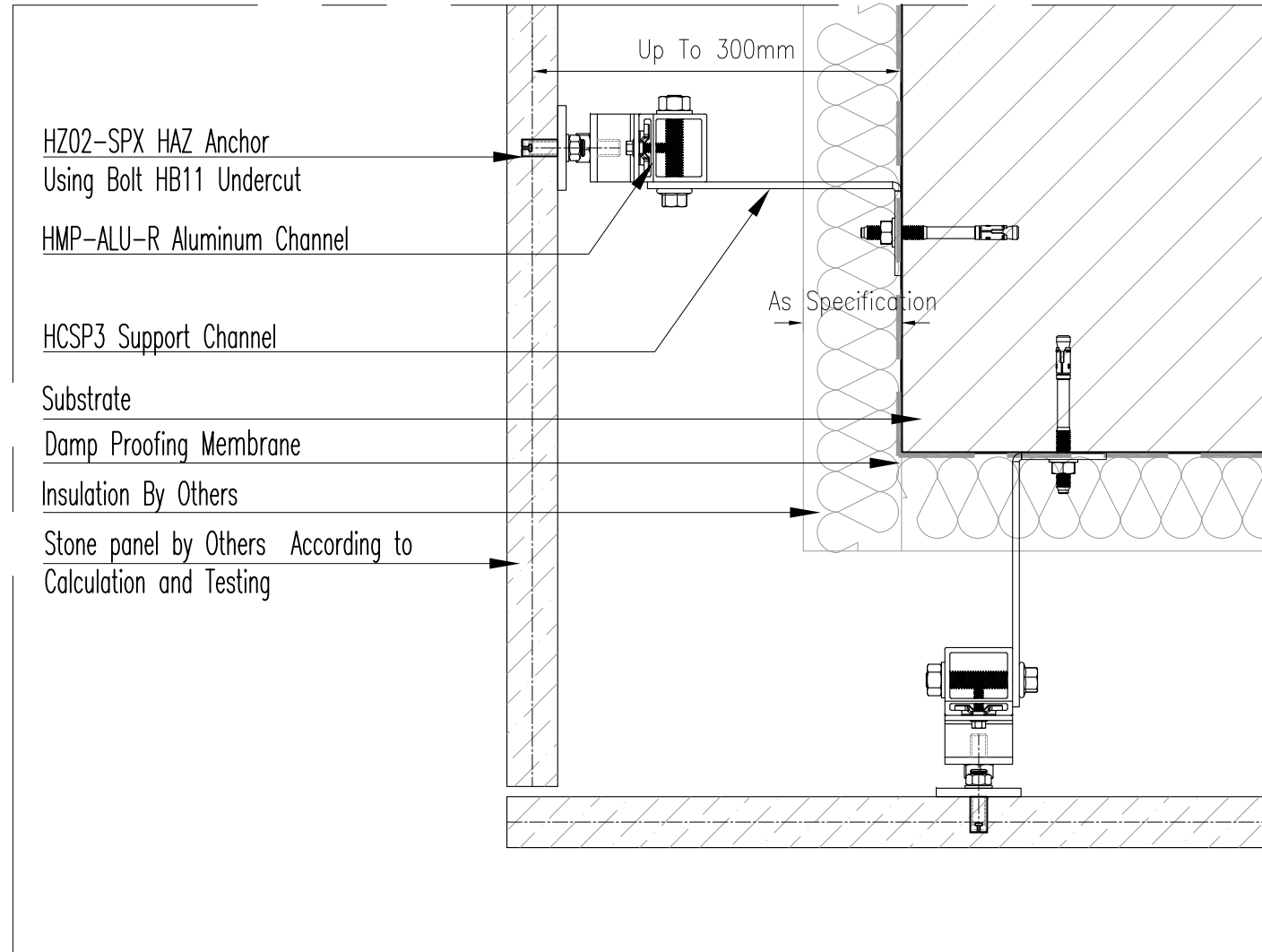


Title :		Vertical Joint Installation - HMP-ALU-SP System - Stone Skirting - Vertical Section			
Drawing No.		HAZCD-HMP-ALU-SP-ST-12			
Series		Concept Drawings - Natural Stone Fixing System - HMP-ALU Sub Channel System			
Revision		01	Scale	As Shown	Paper Size: A3
					Page : 12/16

HAZ METAL Sanayi ve Ticaret A.S
 PO Box 241 31200 Iskenderun / Turkey
 Tel: +90 326 6262050 Faks: 6262045
 info@hazmetal.com / www.hazmetal.com.

HMP-ALU-SP

SUB CHANNEL SYSTEM



Isometric Scale 1:100

Horizontal section Scale 1:4

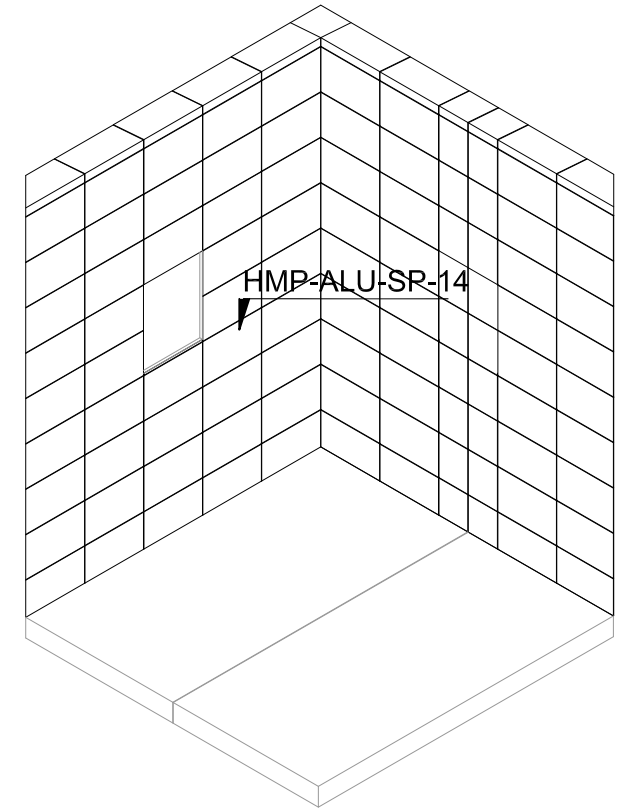
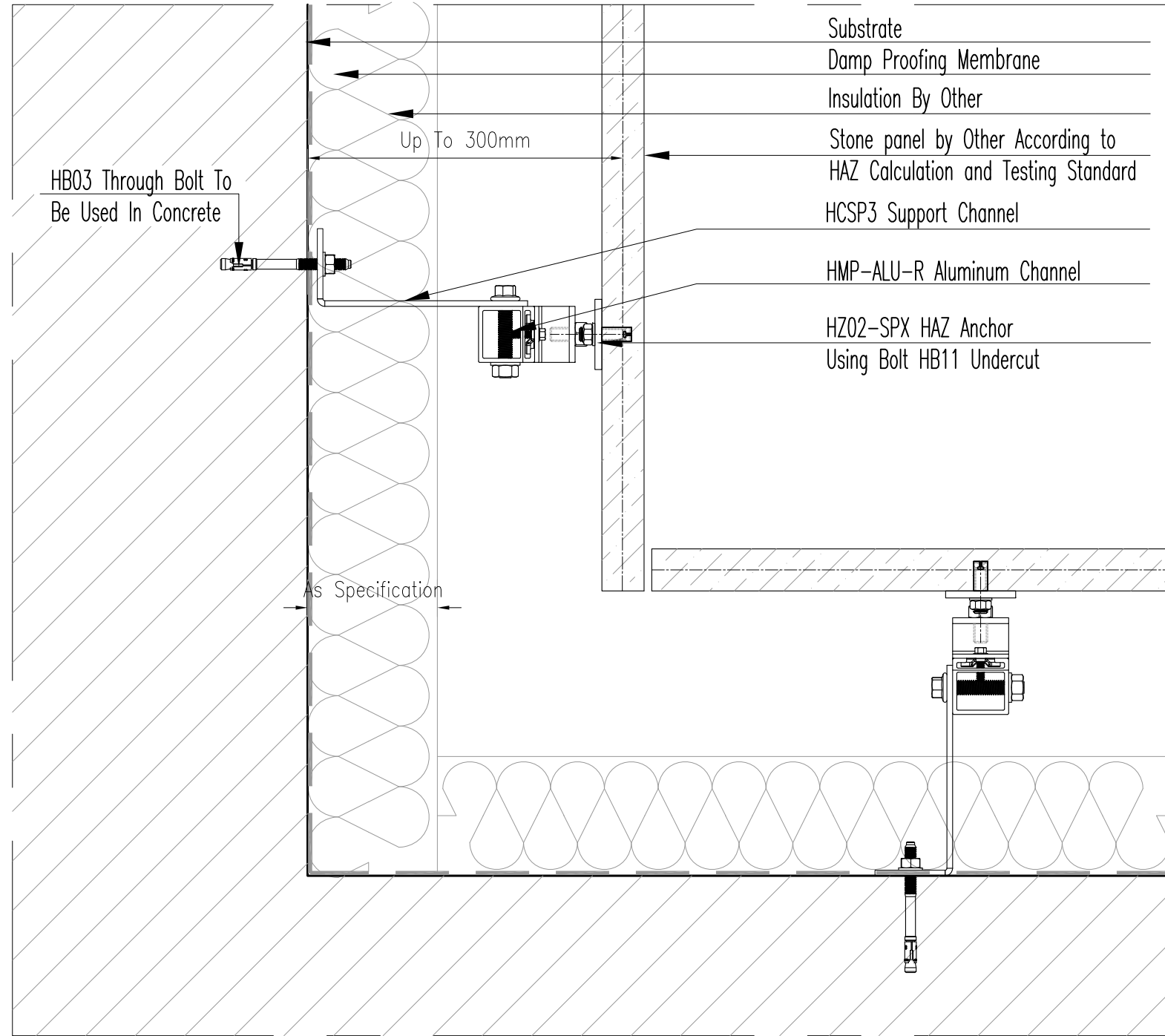


Title :		HMP-ALU-SP System - External Corner Stone Cladding - Horizontal Section			
Drawing No.		HAZCD-HMP-ALU-SP-ST-13			
Series		Concept Drawings - Natural Stone Fixing System - HMP-ALU Sub Channel System			
Revision		01	Scale	As Shown	Paper Size: A3
					Page : 13/16

HAZ METAL Sanayi ve Ticaret A.S
 PO Box 241 31200 Iskenderun / Turkey
 Tel: +90 326 6262050 Faks: 6262045
 info@hazmetal.com / www.hazmetal.com.

HMP-ALU-SP

SUB CHANNEL SYSTEM



Isometric Scale 1:100

Horizontal section Scale 1:4

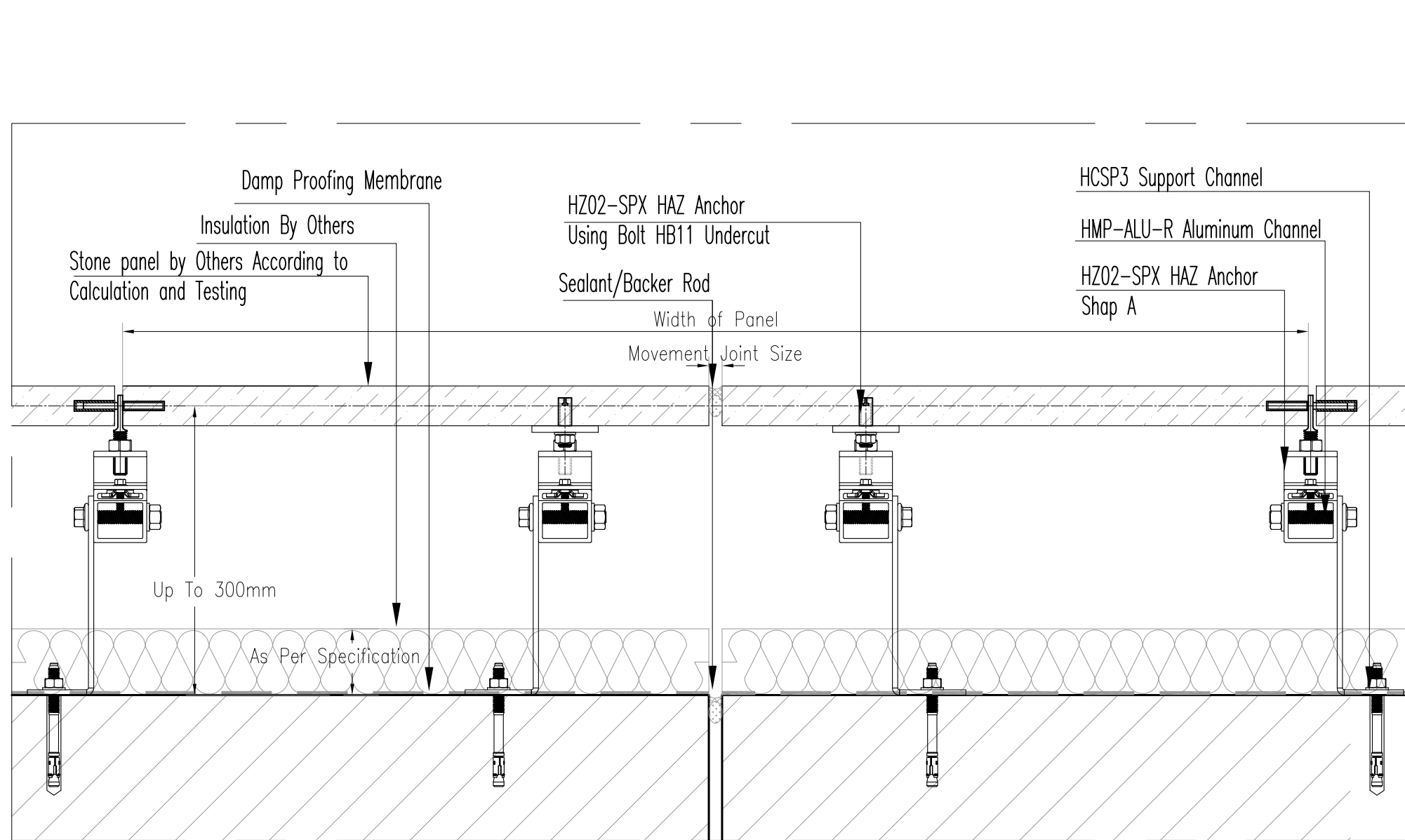


Title :		HMP-ALU-SP System - Internal Corner Stone Cladding - Horizontal Section			
Drawing No.		HAZCD-HMP-ALU-SP-ST-14			
Series		Concept Drawings - Natural Stone Fixing System - HMP-ALU Sub Channel System			
Revision		01	Scale	As Shown	Paper Size: A3
					Page : 14/16

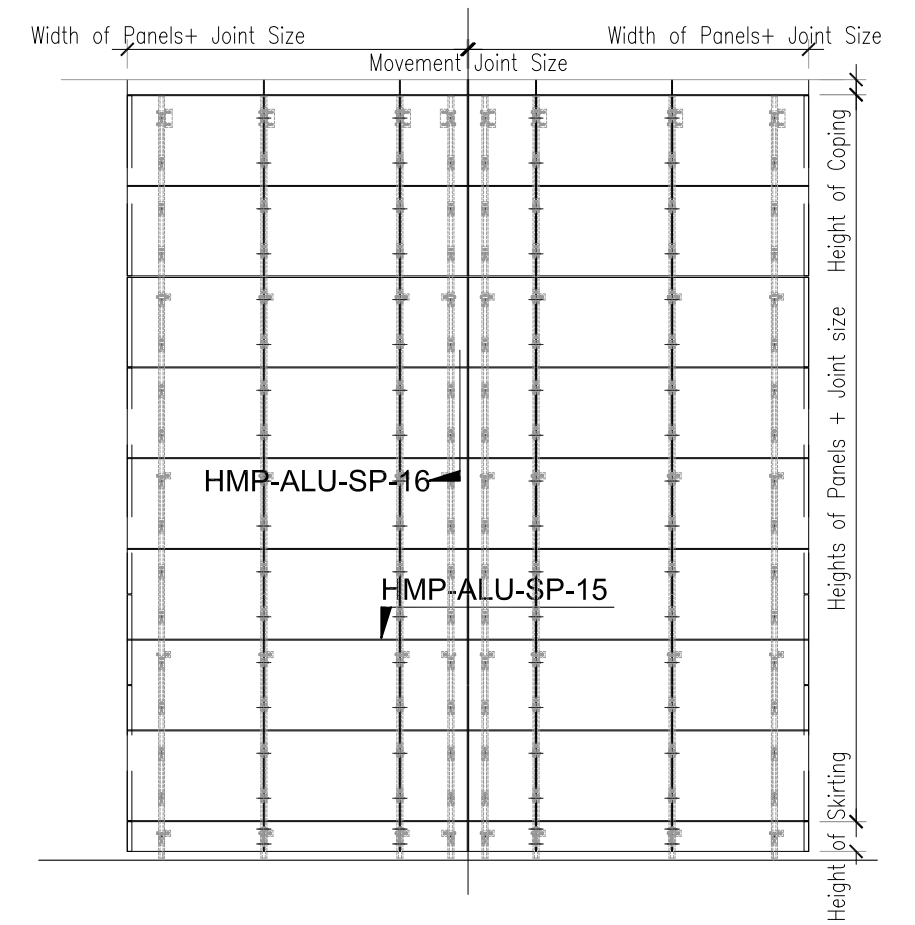
HAZ METAL Sanayi ve Ticaret A.S
 PO Box 241 31200 Iskenderun / Turkey
 Tel: +90 326 6262050 Faks: 6262045
 info@hazmetal.com / www.hazmetal.com.

HMP-ALU-SP

SUB CHANNEL SYSTEM



Horizontal section Scale 1:4



Variation on Typical Elevation
Scale 1:50

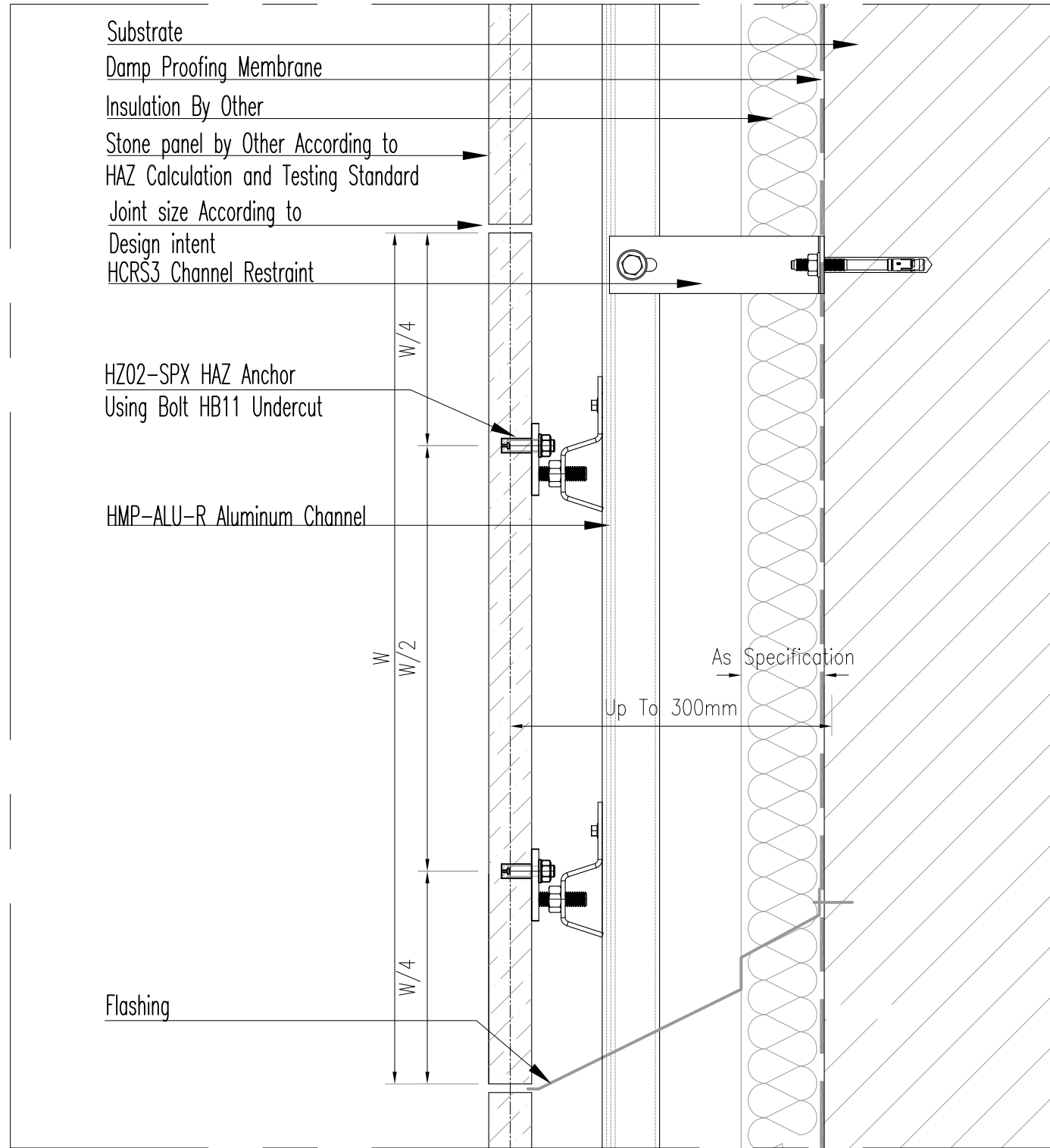


Title :		HMP-ALU-SP System - Typical Stone Claddings - Movement Joint - Horizontal Section			
Drawing No.	HAZCD-HMP-ALU-SP-ST-15				
Series	Concept Drawings - Natural Stone Fixing System - HMP-ALU Sub Channel System				
Revision	01	Scale	As Shown	Paper Size: A3	Page : 15/16

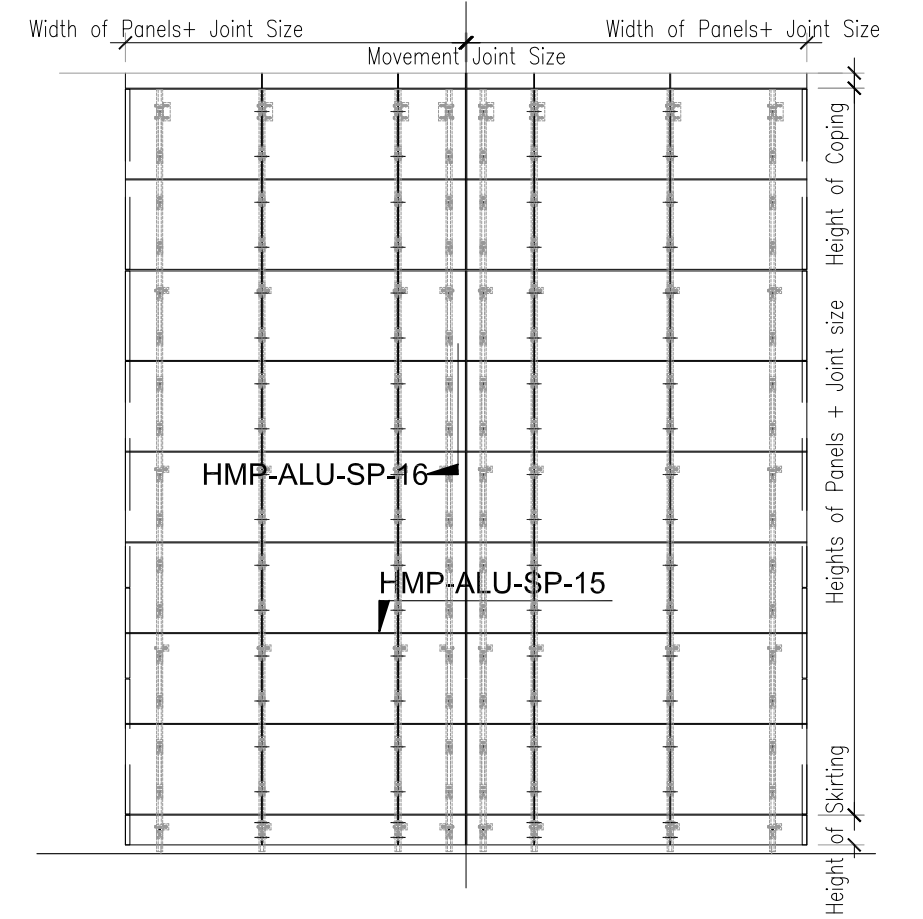
HAZ METAL Sanayi ve Ticaret A.S
PO Box 241 31200 Iskenderun / Turkey
Tel: +90 326 6262050 Faks: 6262045
info@hazmetal.com / www.hazmetal.com.

HMP-ALU-SP

SUB CHANNEL SYSTEM



Vertical section Scale 1:4



Variation on Typical Elevation
Scale 1:50



Title :		HMP-ALU-SP System - Typical Stone Claddings -Movement Joint - Vertical Section			
Drawing No.		HAZCD-HMP-ALU-SP-ST-16			
Series		Concept Drawings - Natural Stone Fixing System - HMP-ALU Sub Channel System			
Revision	01	Scale	As Shown	Paper Size: A3	Page : 16/16

HAZ METAL Sanayi ve Ticaret A.S
 PO Box 241 31200 Iskenderun / Turkey
 Tel: +90 326 6262050 Faks: 6262045
 info@hazmetal.com / www.hazmetal.com.