

HAZ METAL
FIXING SYSTEMS

HMP-ALU-P

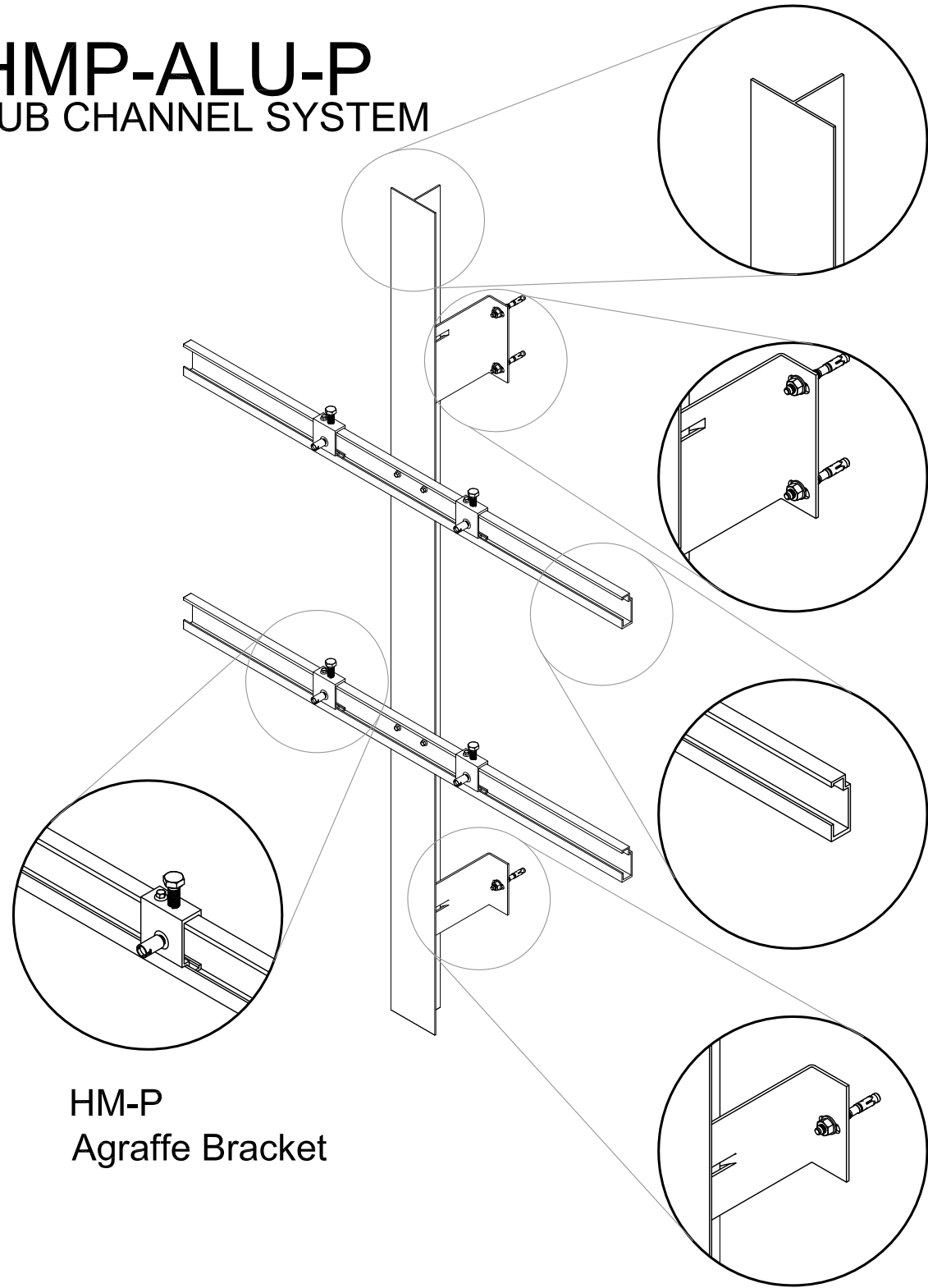
SUB CHANNEL SYSTEM
Concept Drawings

Series: HAZCD-HMP-ALU-P-ST

Aluminum Support System For Rain
Screen Stone Cladding System with
Horizontal and Vertical Spanned Channels



HMP-ALU-P SUB CHANNEL SYSTEM



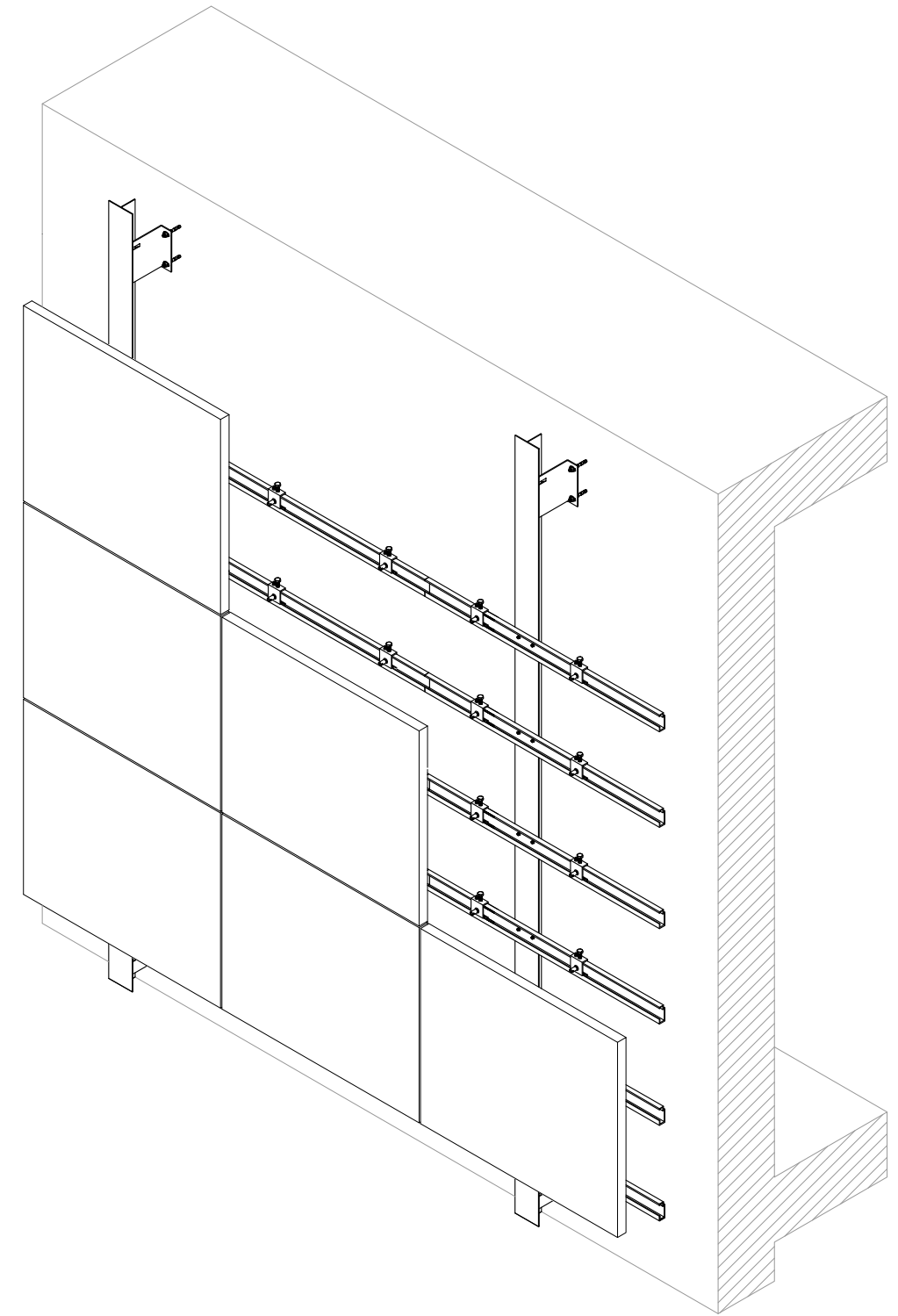
HMP-ALU-T
T Channel

HCSP3-AL
Support Channel

HMP-ALU-P
Agraffe Channel

HM-P
Agraffe Bracket

HCRS3 -AL
Restraint Channel



ISOMETRIC VIEW



HAZ METAL Sanayi ve Ticaret A.S
PO Box 241 31200 Iskenderun / Turkey
Tel: +90 326 6262050 Faks: 6262045
info@hazmetal.com / www.hazmetal.com.

Title : Natural Stone Facade - Built-up Cavity Wall - HMP-ALU-P - Isometric

Drawing No. HAZCD-HMP-ALU-P-ST-01

Series Concept Drawings - Natural Stone Fixing System - HMP Alu Sub Channel System

Revision

01

Scale

As Shown

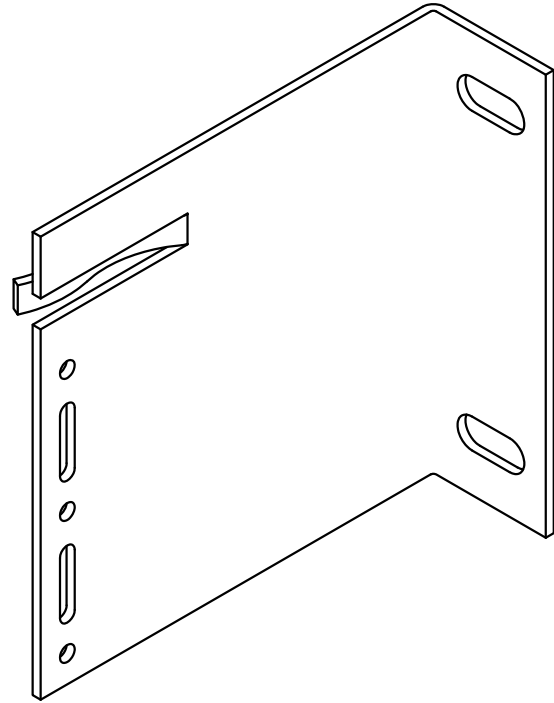
Paper Size: A3

Page :

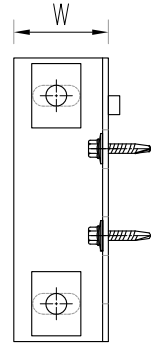
1/17

HCSP3-AL

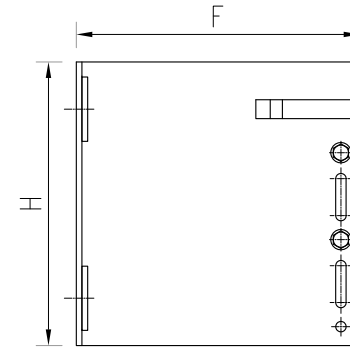
Channel Support



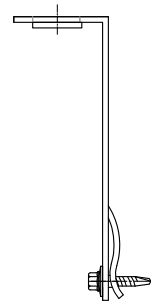
ISOMETRIC VIEW



Elevation View scale 1:4



Side View scale 1:4



Plan View scale 1:4

Product Code	Technical Details						
	Width W(mm)	Height H(mm)	Forming F (mm)	Self tabbing screw	Exp. Bolt	Max Dead load (N)	Max Wind load (N)
HCSP3-AL-50	50	120	50	6.6x30	M10x90	2000	2000
HCSP3-AL-70	50	120	70				
HCSP3-AL-90	50	120	90				
HCSP3-AL-110	50	120	110				
HCSP3-AL-130	50	120	130				
HCSP3-AL-150	50	120	150			1600	1600
HCSP3-AL-170	50	120	170				
HCSP3-AL-190	50	120	190				
HCSP3-AL-210	60	120	210				
HCSP3-AL-230	60	120	230				

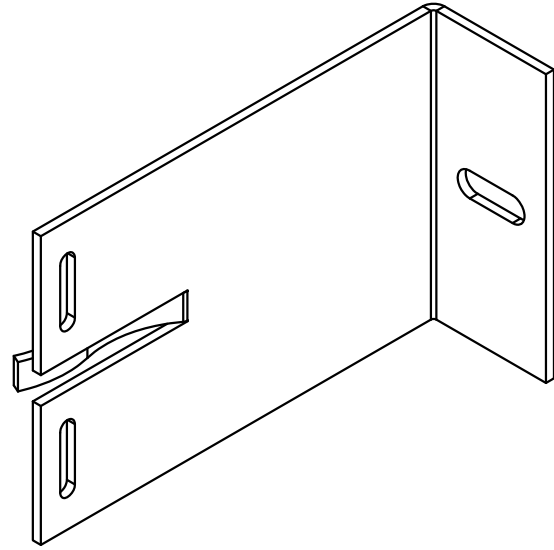


HAZ METAL Sanayi ve Ticaret A.S
 PO Box 241 31200 Iskenderun / Turkey
 Tel: +90 326 6262050 Faks: 6262045
 info@hazmetal.com / www.hazmetal.com.

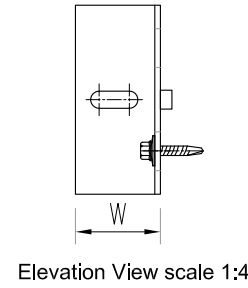
Title :		Natural Stone Facade - Built-up Cavity Wall - HMP-ALU-P System - HCSP3-AL Specification					
Drawing No.	HAZCD-HMP-ALU-P-ST-02						
Series	Concept Drawings - Natural Stone Fixing System - HMP-Alu Sub Channel System						
Revision	01	Scale	As Shown	Paper Size:	A3	Page :	2/17

HCRS3-AL

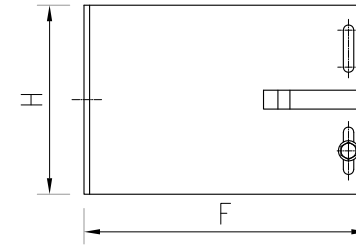
Channel Restraint



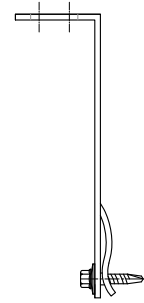
ISOMETRIC VIEW



Elevation View scale 1:4



Side View scale 1:4



Plan View scale 1:4

Product Code	Technical Details					
	Width W(mm)	Height H(mm)	Forming F (mm)	Self tabbing screw	Expansion Bolt	Max Wind load (N)
HCRS3-AL-70	40	80	70	6.6 x 30	M8x80	2000
HCRS3-AL-70	40	80	90			
HCRS3-AL-90	40	80	110			
HCRS3-AL-110	40	80	130			
HCRS3-AL-130	40	80	150			
HCRS3-AL-150	40	80	170			
HCRS3-AL-170	40	80	190			
HCRS3-AL-190	40	80	210			
HCRS3-AL-210	40	80	230			
HCRS3-AL-230	50	120	300			



Title Natural Stone Facade - Built-up Cavity Wall - HMP-ALU-P System- HCRS3-AL-160 Specification

Drawing No. HAZCD-HMP-ALU-P-ST-03

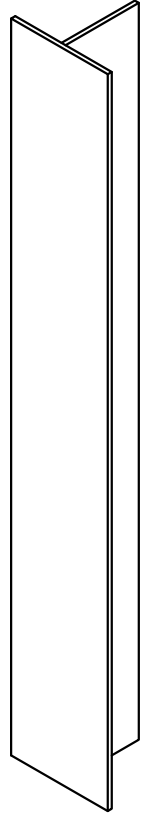
Series Concept Drawings - Natural Stone Fixing System - HMP-Alu Sub Channel System

Revision 01 Scale As Shown Paper Size: A3 Page : 3/17

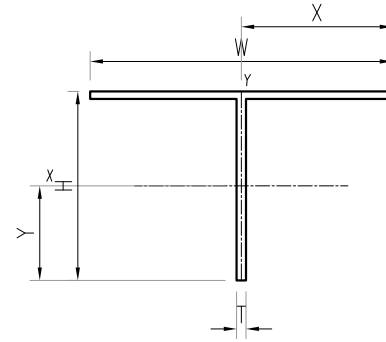
HAZ METAL Sanayi ve Ticaret A.S
PO Box 241 31200 Iskenderun / Turkey
Tel: +90 326 6262050 Faks: 6262045
info@hazmetal.com / www.hazmetal.com.

HMP-ALU-T

T CHANNEL



ISOMETRIC VIEW



Horizontal Section Scale 1:2

Product Code	Technical Details								
	Dimensions			X-X Axis			Y-Y Axis		
	Thickness T(mm)	Width W(mm)	Height H(mm)	I _{XX} (cm ⁴)	Z _X (cm ³)	X (mm)	I _{YY} (cm ⁴)	Z _Y (cm ³)	Y (mm)
HMP-ALU-T-50/80	2.5	50	80	21.86	4.01	25.00	2.61	1.04	54.44
HMP-ALU-T-60/100	2.5	60	100	42.53	6.27	30.00	4.51	1.50	67.79
HMP-ALU-U-60/120	3	60	120	82.88	10.51	30.00	5.43	1.81	78.84

- Material : Extruded Aluminum Grade 6063 T66 Mill finish and black anodizes.
- Tables above is prepared according to plain finish without drilled holes.
- Channels can be provided up to 6 meters length.

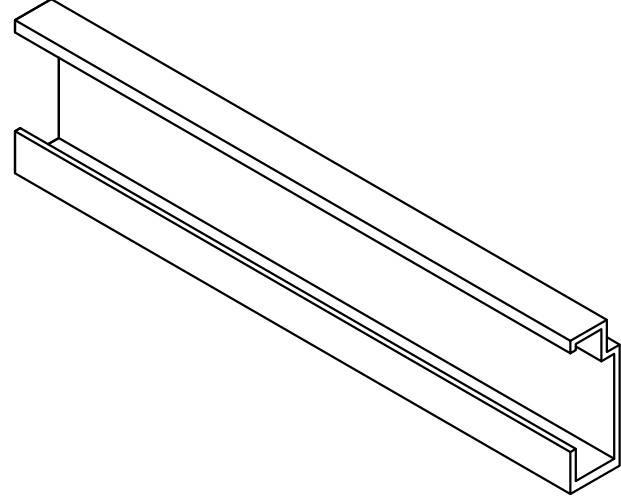


Title :		Natural Stone Facade - Built-up Cavity Wall - HMP-ALU-T Specification								
Drawing No.		HAZCD-HMP-ALU-P-ST-04								
Series		Concept Drawings - Natural Stone Fixing System - HMP-Alu Sub Channel System								
Revision		01	Scale		As Shown	Paper Size:		A3	Page :	4/17

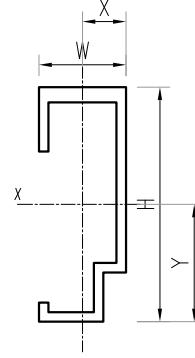
HAZ METAL Sanayi ve Ticaret A.S
 PO Box 241 31200 Iskenderun / Turkey
 Tel: +90 326 6262050 Faks: 6262045
 info@hazmetal.com / www.hazmetal.com.

HMP-ALU-P

AGRAFFE CHANNEL



ISOMETRIC VIEW



Horizontal Section Scale 1:2

Product Code	Technical Details								
	Dimensions			X-X Axis			Y-Y Axis		
	Thickness T(mm)	Width W(mm)	Height H(mm)	I _{XX} (cm ⁴)	Z _X (cm ³)	X (mm)	I _{YY} (cm ⁴)	Z _Y (cm ³)	Y (mm)
HMP-ALU-P-45/32	2.2	45	32	16.66	4.66	14.03	2.03	1.45	35.72

- Material : Extruded Aluminum Grade 6063 T66 Mill finish and black anodizes.
- Tables above is prepared according to plain finish without drilled holes.
- Channels can be provided up to 6 meters length.

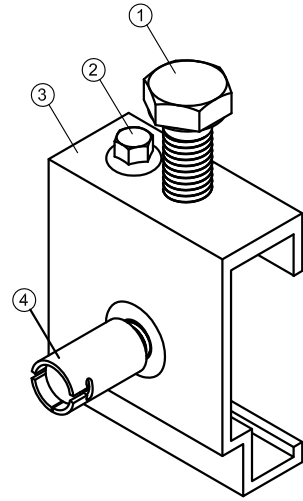


HAZ METAL Sanayi ve Ticaret A.S
 PO Box 241 31200 Iskenderun / Turkey
 Tel: +90 326 6262050 Faks: 6262045
 info@hazmetal.com / www.hazmetal.com.

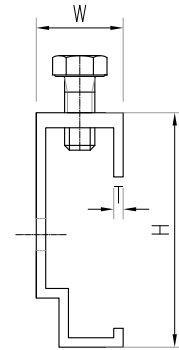
Title :		Natural Stone Facade - Built-up Cavity Wall - HMP-ALU-P Specification								
Drawing No.		HAZCD-HMP-ALU-P-ST-05								
Series		Concept Drawings - Natural Stone Fixing System - HMP Sub Channel System								
Revision		01	Scale		As Shown	Paper Size:		A3	Page :	5/17

HM-AG-P

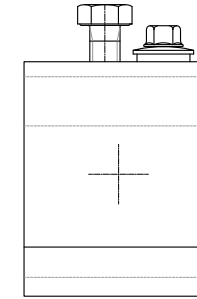
SUB CHANNEL SYSTEM



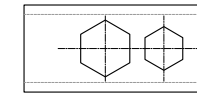
ISOMETRIC VIEW



Elevation View scale 1:2



Side View scale 1:2



Plan View scale 1:2

Legend	
1	Adjustable Bolt
2	Screw-EJot
3	HM-AG Slot Bracket
4	HB11- Super Bolt

Product Code	Technical Details				
	Dimensions			Loads	
	Thickness T(mm)	Width W(mm)	Height H(mm)	Dead Load Capacity (N)	Wind Load Capacity (N)
HM-AG-P	2.5	50	38.5	400	316

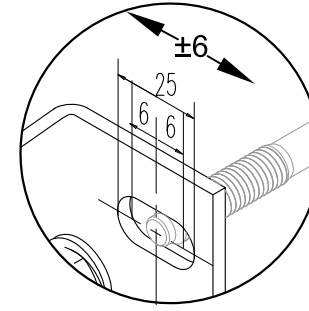
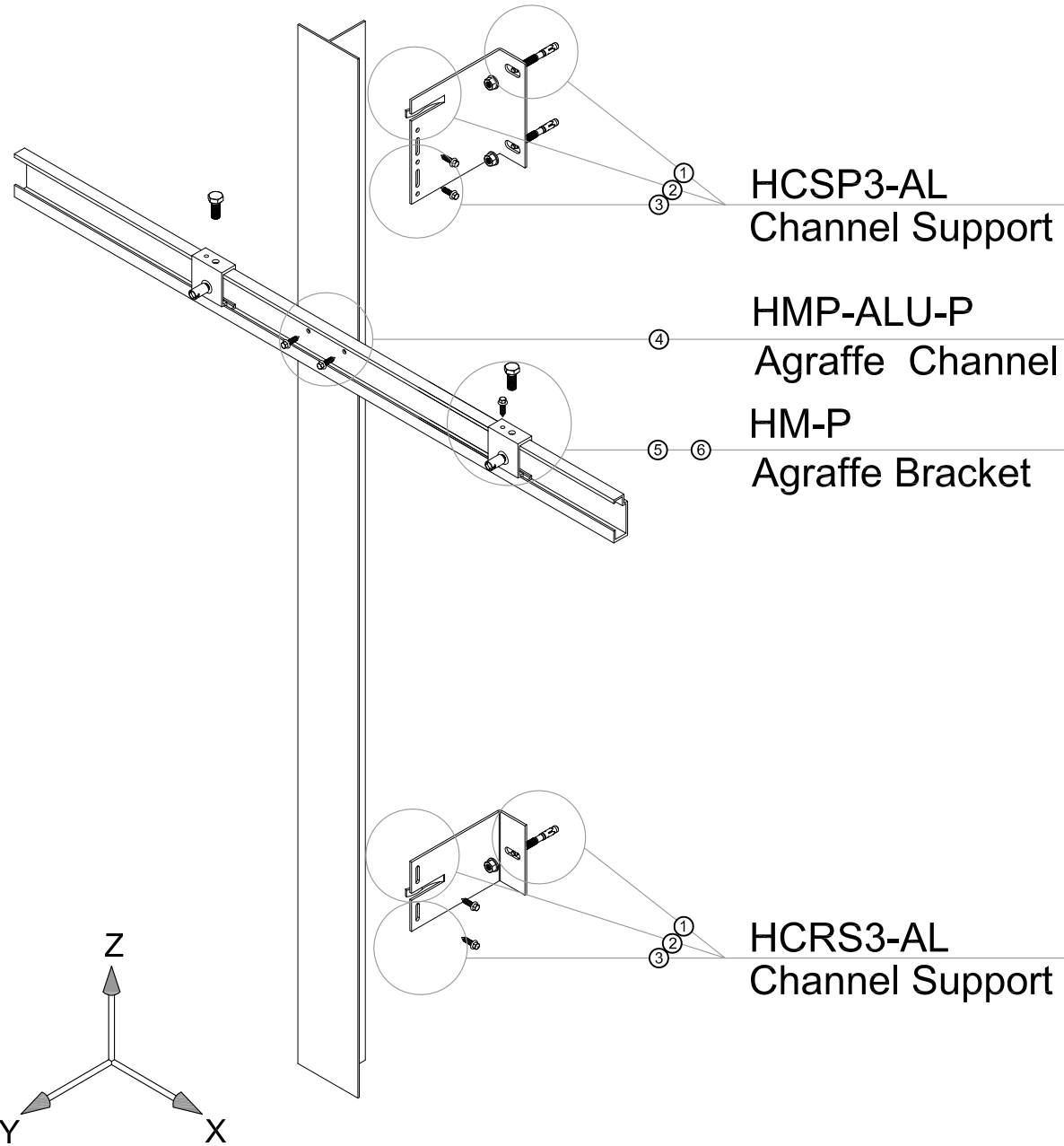


Title :		Natural Stone Facade - Built-up Cavity Wall - HMP-ALU-P Specification				
Drawing No.	HAZCD-HMP-ALU-P-ST-06					
Series	Concept Drawings - Natural Stone Fixing System - HMP-Alu Sub Channel System					
Revision	01	Scale	As Shown	Paper Size: A3	Page : 6/17	

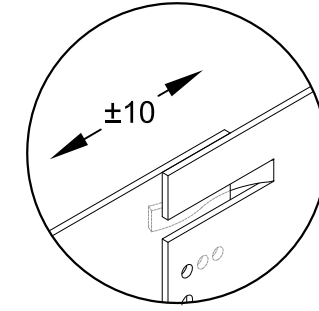
HAZ METAL Sanayi ve Ticaret A.S
 PO Box 241 31200 Iskenderun / Turkey
 Tel: +90 326 6262050 Faks: 6262045
 info@hazmetal.com / www.hazmetal.com.

HMP-ALU-P

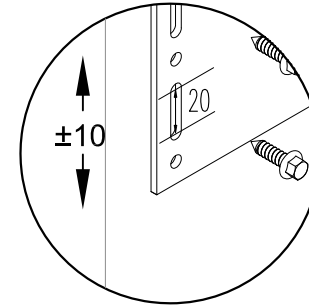
SUB CHANNEL SYSTEM



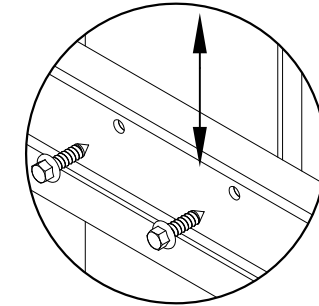
① The Adjustability on the X axis is Provided by Slotted hole ± 6 mm .



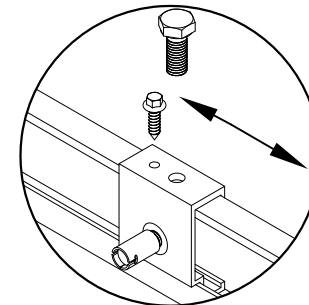
② The Adjustability on the Y axis is Provided by Drilling hole on Aluminum T channel ± 10 mm .



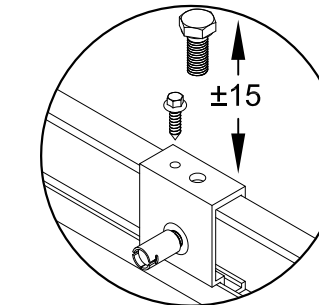
③ The Adjustability on the Z axis is Provided by Slotted hole ± 10 mm .



④ Adjustment of the Horizontal Channel Up and Down on the Z Axis is provided by Drilling hole on Aluminum T channel .



⑤ Adjustment of the anchor left and right is provided by sliding the body along the Horizontal Channel .



⑥ The Adjustability on the Z Axis is Provided by rotating the Adjustable Bolt ± 15 mm, and bind it by screw.

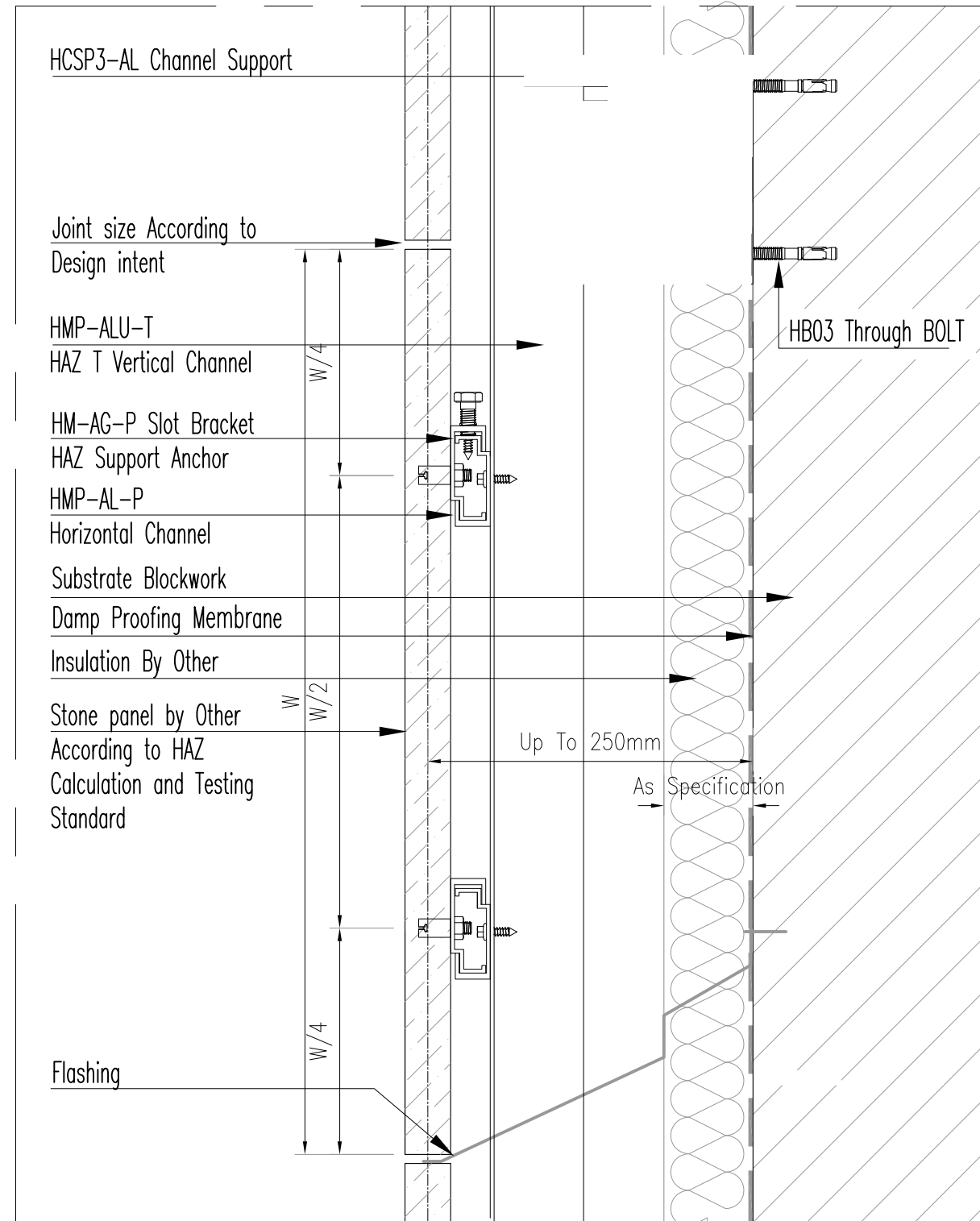
Note: For Further Dimension Refer to Each Items Details Drawings.



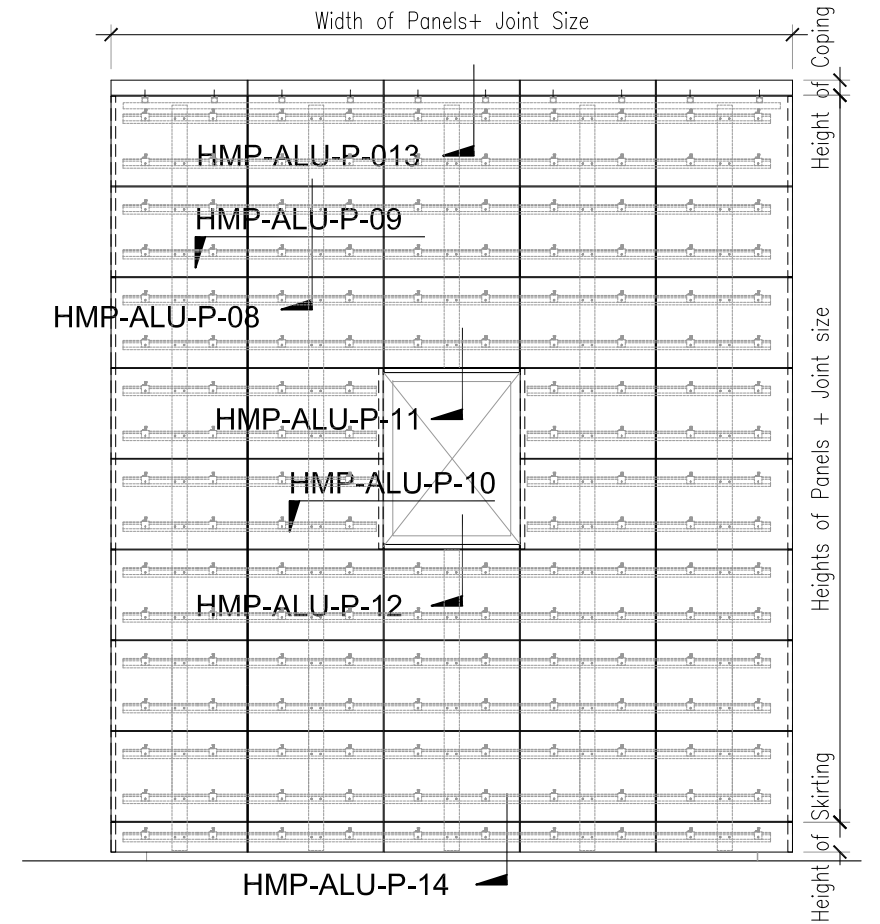
HAZ METAL Sanayi ve Ticaret A.S
PO Box 241 31200 Iskenderun / Turkey
Tel: +90 326 6262050 Faks: 6262045
info@hazmetal.com / www.hazmetal.com.

Title :	Natural Stone Facade - Built-up Cavity Wall - HMP-ALU-P - Adjustability					
Drawing No.	HAZCD-HMP-ALU-P-ST-07					
Series	Concept Drawings - Natural Stone Fixing System - HMP-Alu Sub Channel System					
Revision	01	Scale	As Shown	Paper Size:	A3	Page : 7/17

HMP-ALU-P SUB CHANNEL SYSTEM



Vertical section Scale 1:4



Elevation Scale 1:50

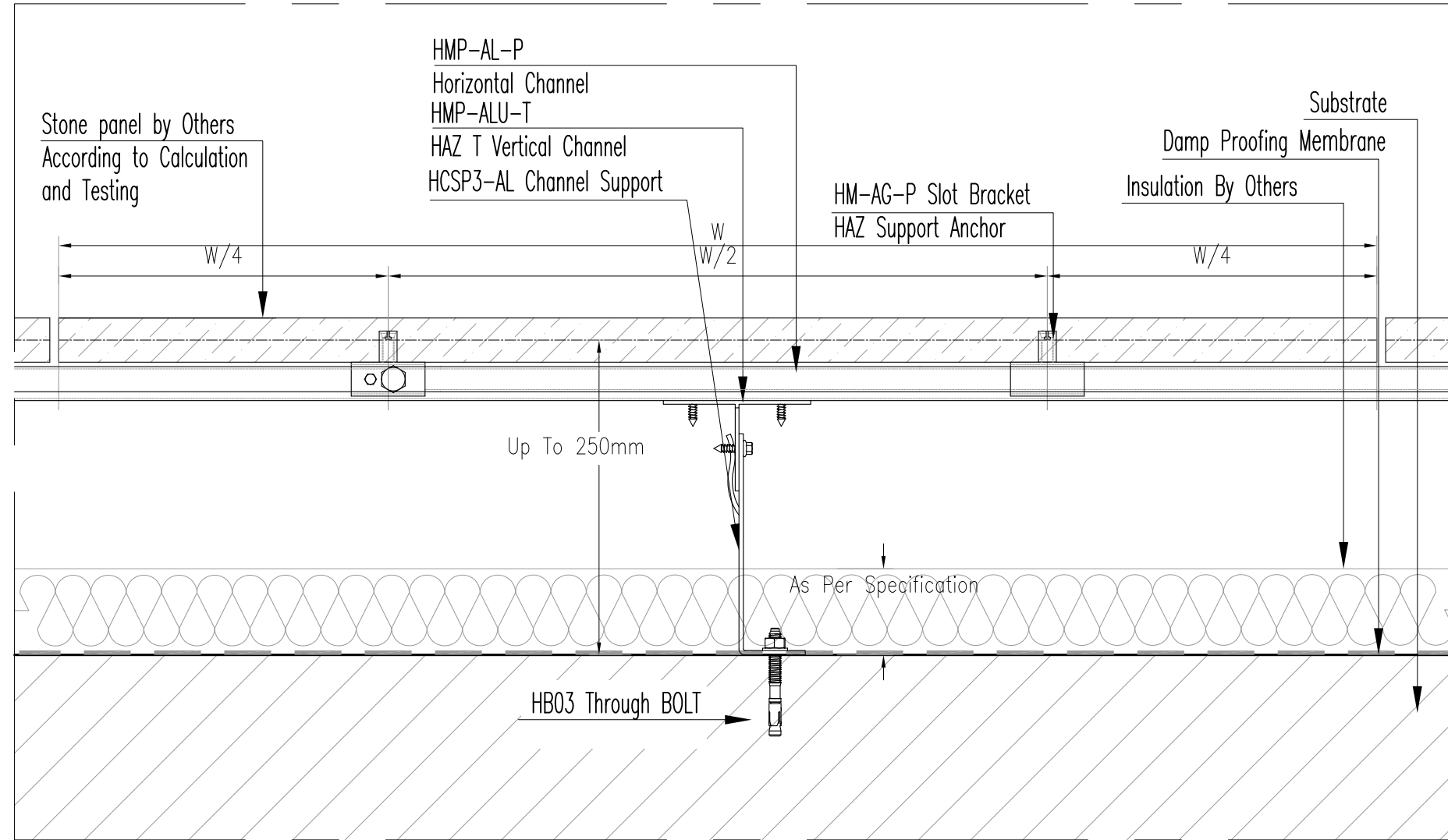


Title :		Horizontal Joint Installation - Typical Stone Claddings - HMP-ALU-P System - Vertical Section			
Drawing No.		HAZCD-HMP-ALU-P-ST-08			
Series		Concept Drawings - Natural Stone Fixing System - HMP-Alu Sub Channel System			
Revision	01	Scale	As Shown	Paper Size: A3	Page : 8/17

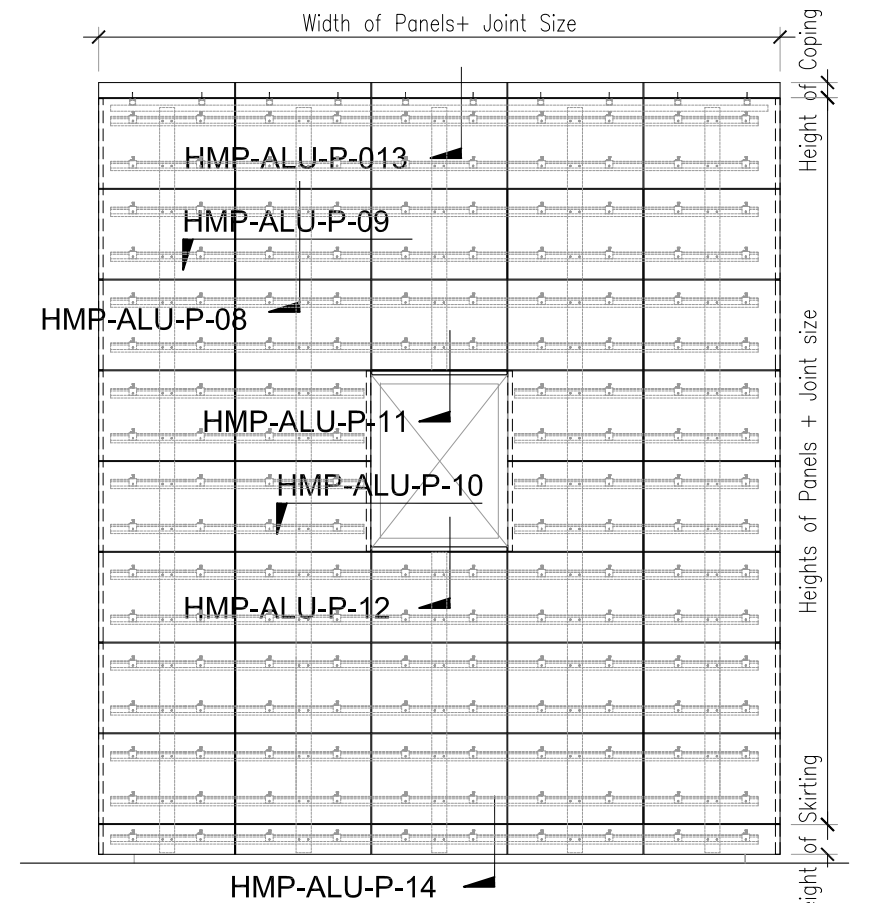
HAZ METAL Sanayi ve Ticaret A.S
PO Box 241 31200 Iskenderun / Turkey
Tel: +90 326 6262050 Faks: 6262045
info@hazmetal.com / www.hazmetal.com.

HMP-ALU-P

SUB CHANNEL SYSTEM



Horizontal section Scale 1:4



Elevation Scale 1:50

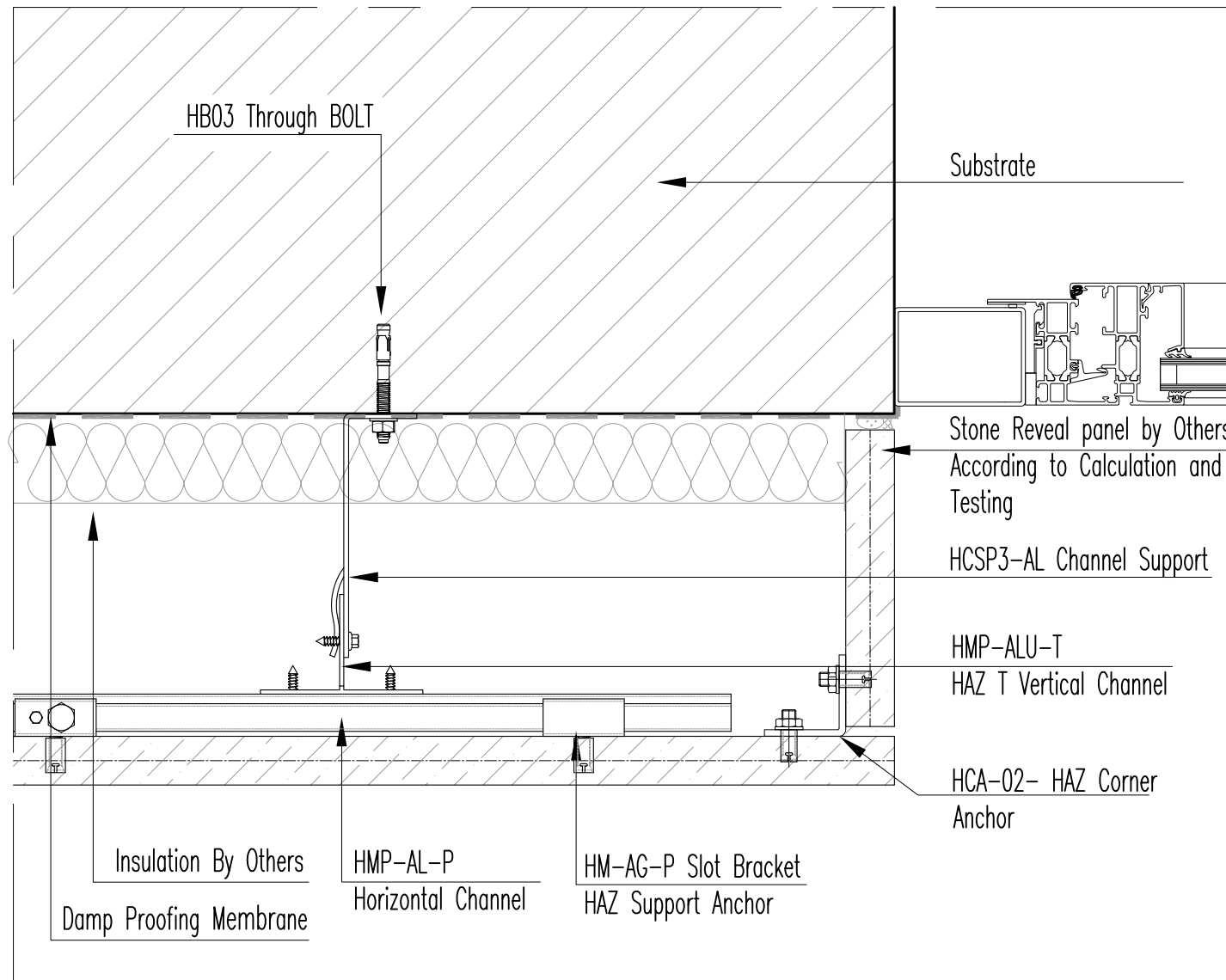


Title :		Vertical Joint Installation - Typical Stone Claddings - HMP-ALU-P System - Horizontal Section			
Drawing No.		HAZCD-HMP-ALU-P-ST-09			
Series		Concept Drawings - Natural Stone Fixing System - HMP-Alu Sub Channel System			
Revision	01	Scale	As Shown	Paper Size: A3	Page : 9/17

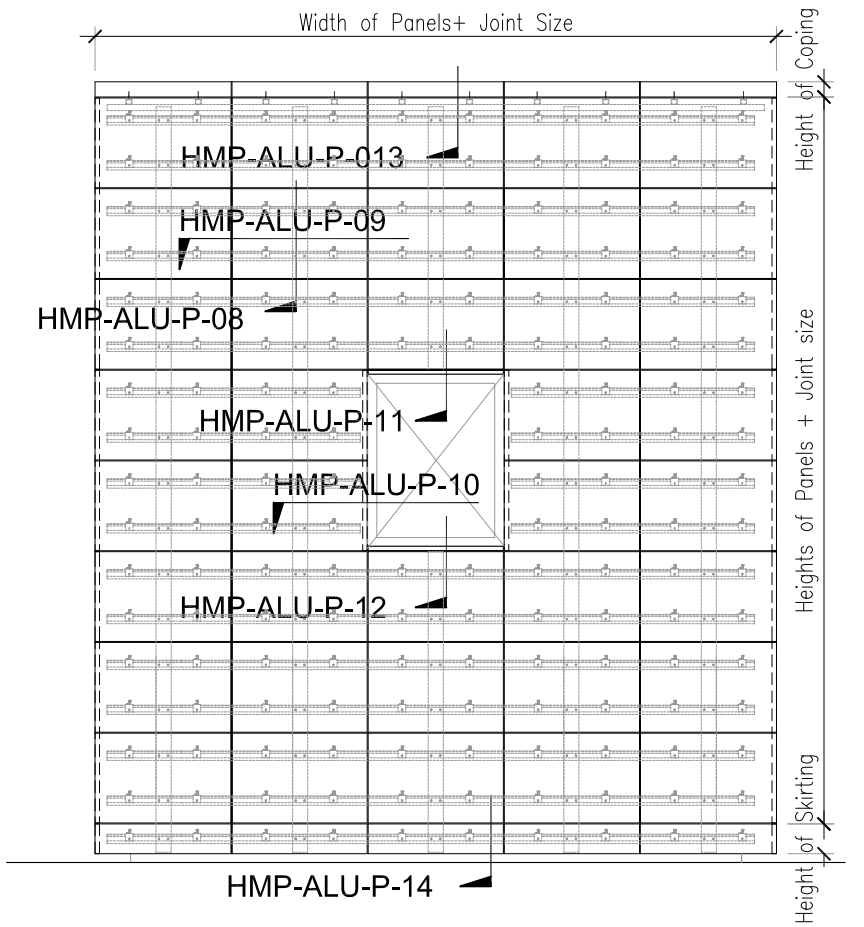
HAZ METAL Sanayi ve Ticaret A.S
 PO Box 241 31200 Iskenderun / Turkey
 Tel: +90 326 6262050 Faks: 6262045
 info@hazmetal.com / www.hazmetal.com.

HMP-ALU-P

SUB CHANNEL SYSTEM



Horizontal section Scale 1:4



Elevation Scale 1:50

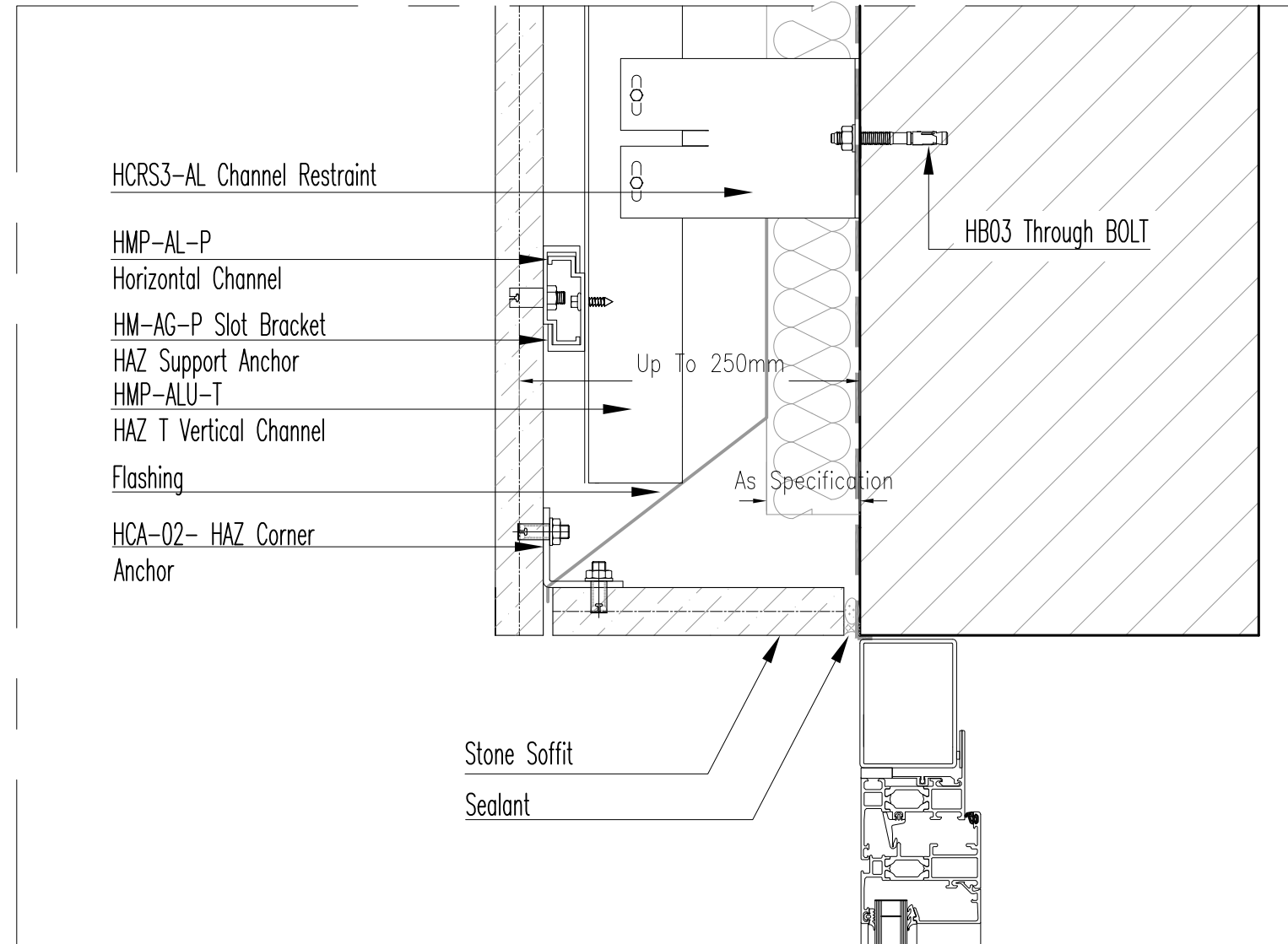


Title :		Horizontal Joint Installation - Stone Reveal - Horizontal Section			
Drawing No.	HAZCD-HMP-ALU-P-ST-10				
Series	Concept Drawings - Natural Stone Fixing System - HMP-Alu Sub Channel System				
Revision	01	Scale	As Shown	Paper Size: A3	Page : 10/17

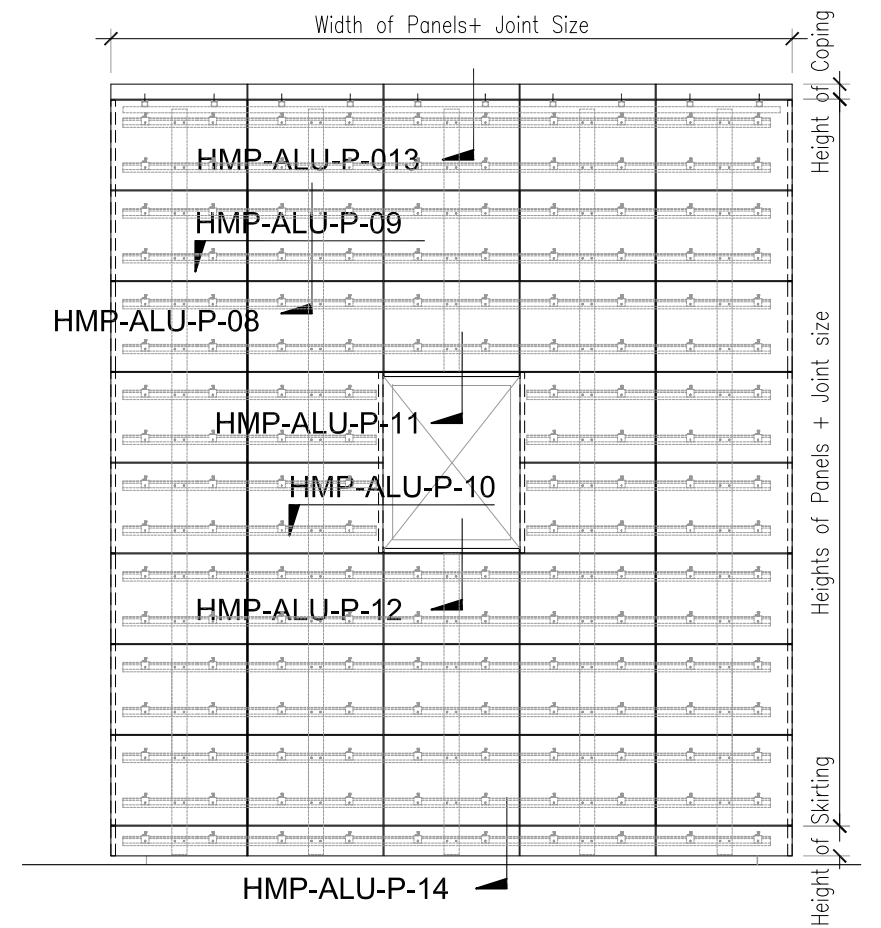
HAZ METAL Sanayi ve Ticaret A.S
 PO Box 241 31200 Iskenderun / Turkey
 Tel: +90 326 6262050 Faks: 6262045
 info@hazmetal.com / www.hazmetal.com.

HMP-ALU-P

SUB CHANNEL SYSTEM



Vertical section Scale 1:4



Elevation Scale 1:50

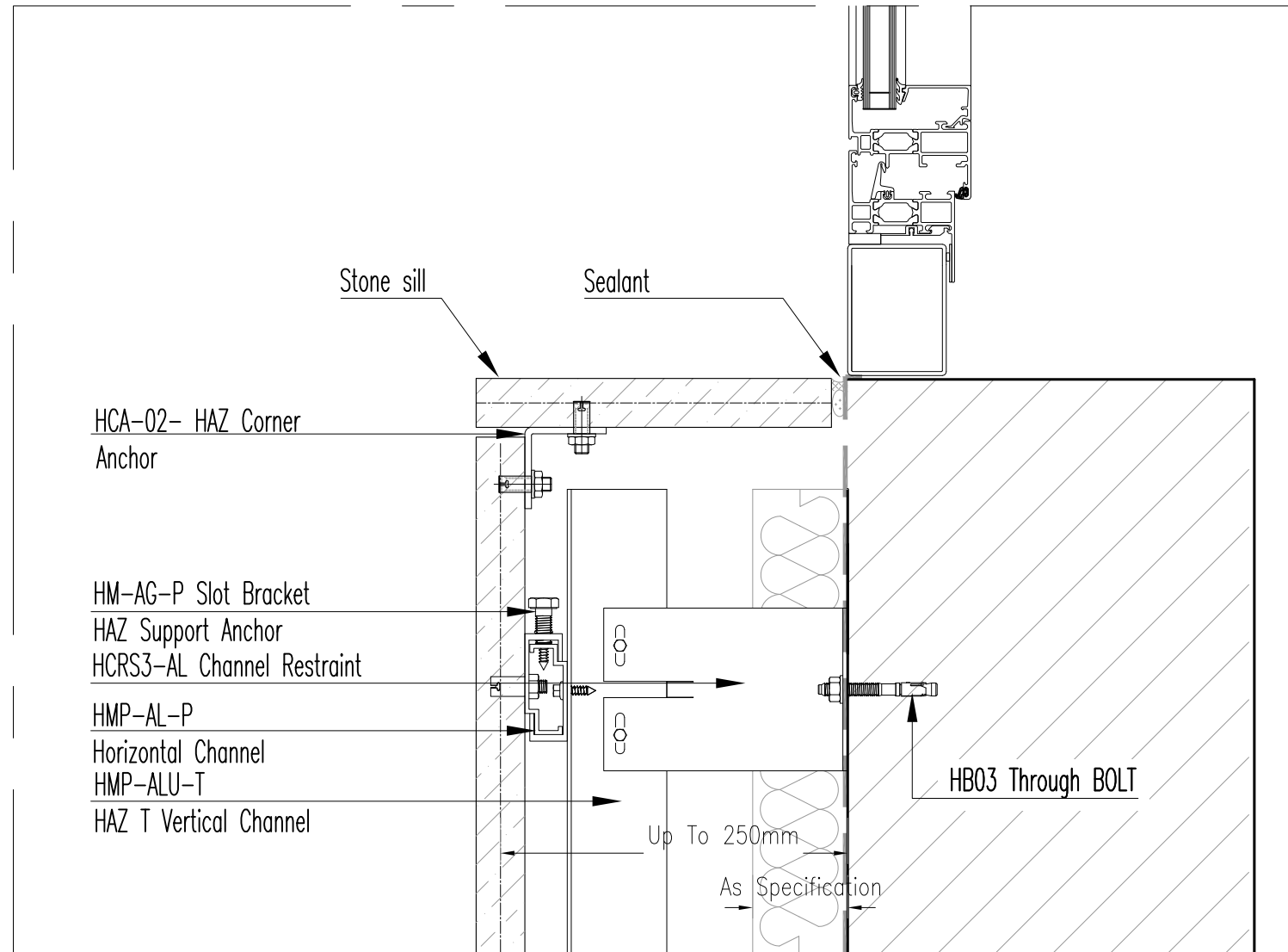


Title :		Vertical Joint Installation - Stone Soffit - Vertical Section			
Drawing No.		HAZCD-HMP-ALU-P-ST-11			
Series		Concept Drawings - Natural Stone Fixing System - HMP-Alu Sub Channel System			
Revision		01	Scale	As Shown	Paper Size: A3
					Page : 11/17

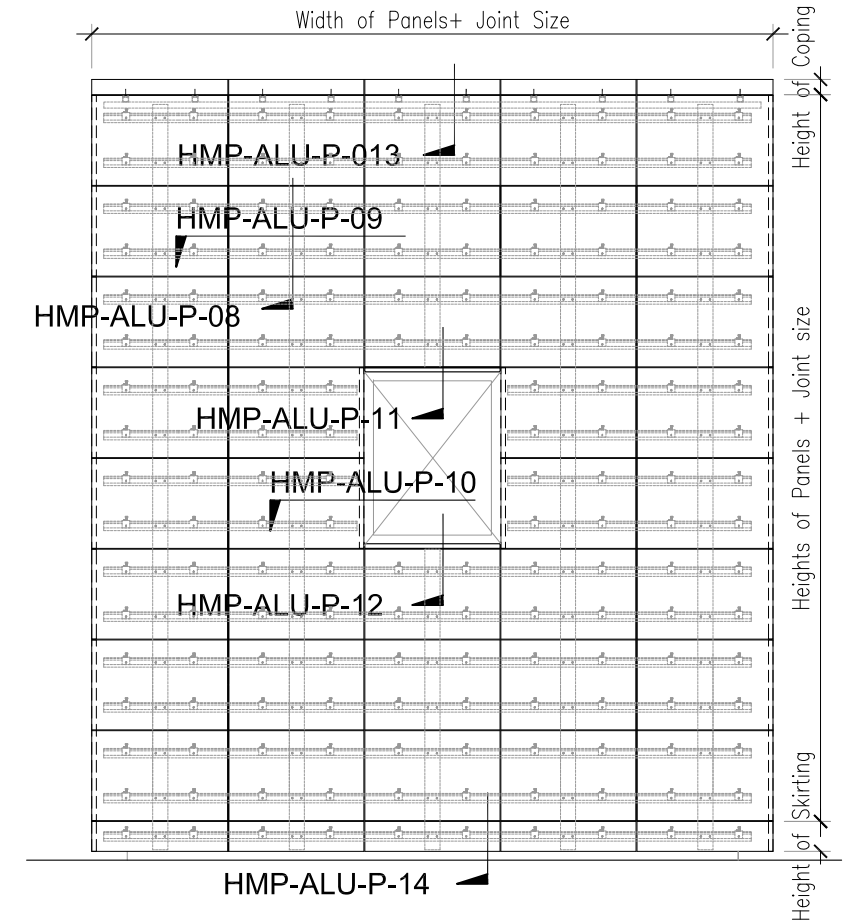
HAZ METAL Sanayi ve Ticaret A.S
 PO Box 241 31200 Iskenderun / Turkey
 Tel: +90 326 6262050 Faks: 6262045
 info@hazmetal.com / www.hazmetal.com.

HMP-ALU-P

SUB CHANNEL SYSTEM



Vertical section Scale 1:4



Elevation Scale 1:50

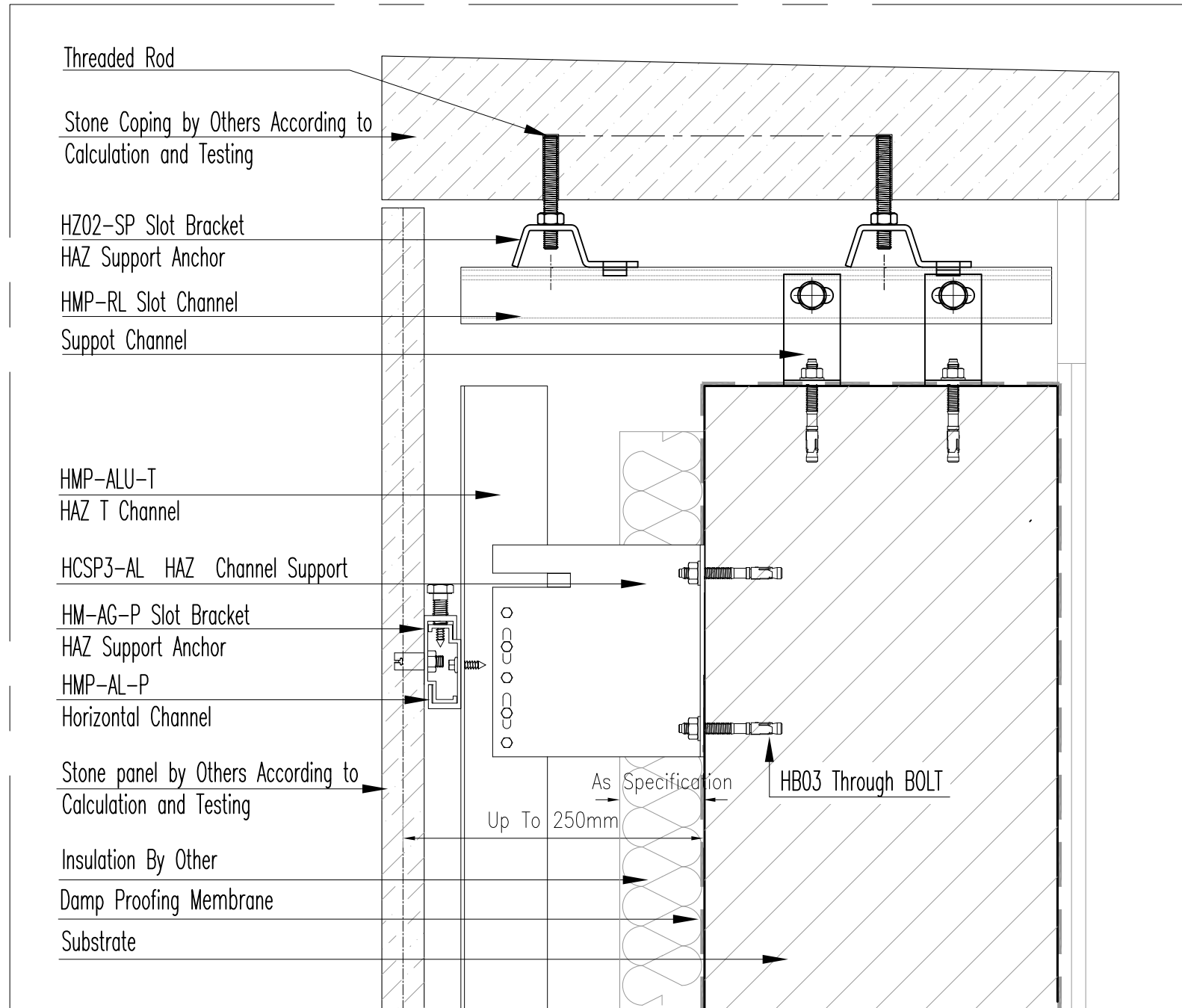


Title :		Vertical Joint Installation - Stone Sill - Vertical Section			
Drawing No.		HAZCD-HMP-ALU-P-ST-12			
Series		Concept Drawings - Natural Stone Fixing System - HMP-Alu Sub Channel System			
Revision		01	Scale	As Shown	Paper Size: A3
					Page : 12/17

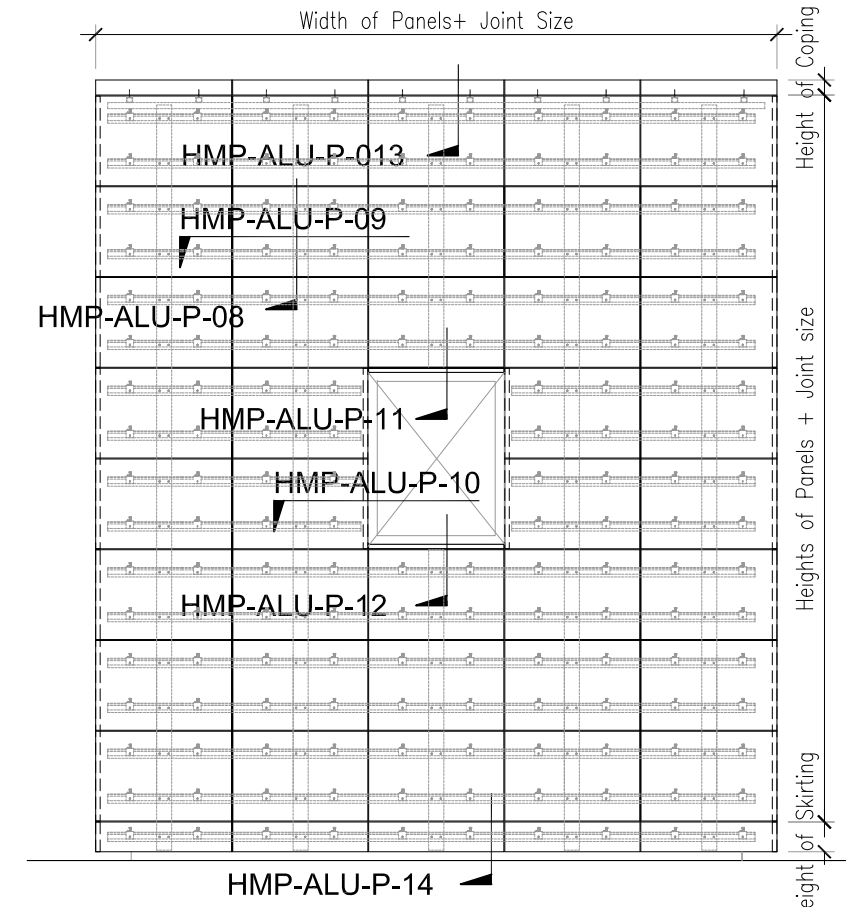
HAZ METAL Sanayi ve Ticaret A.S
 PO Box 241 31200 Iskenderun / Turkey
 Tel: +90 326 6262050 Faks: 6262045
 info@hazmetal.com / www.hazmetal.com.

HMP-ALU-P

SUB CHANNEL SYSTEM



Vertical section Scale 1:4



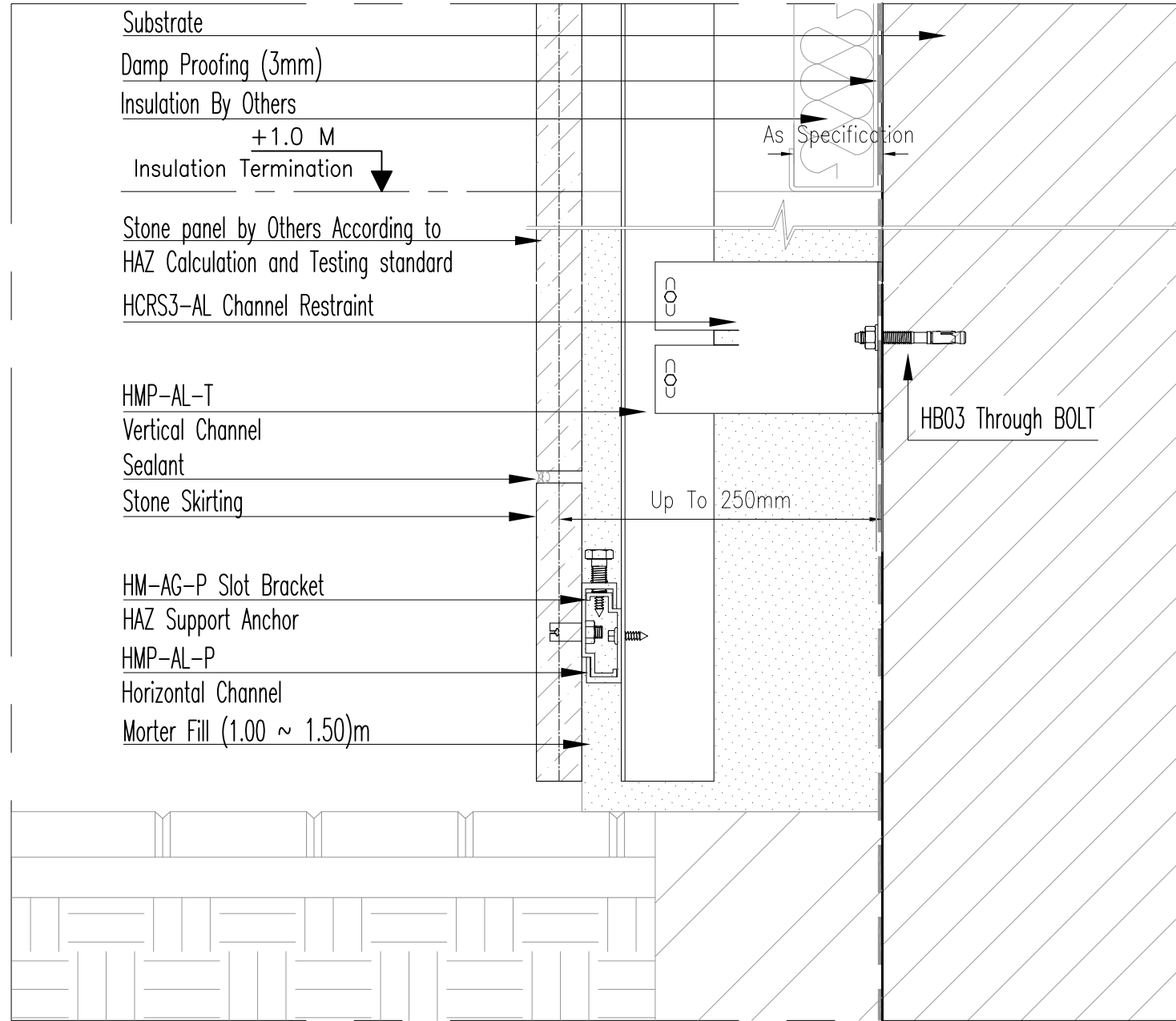
Elevation Scale 1:50



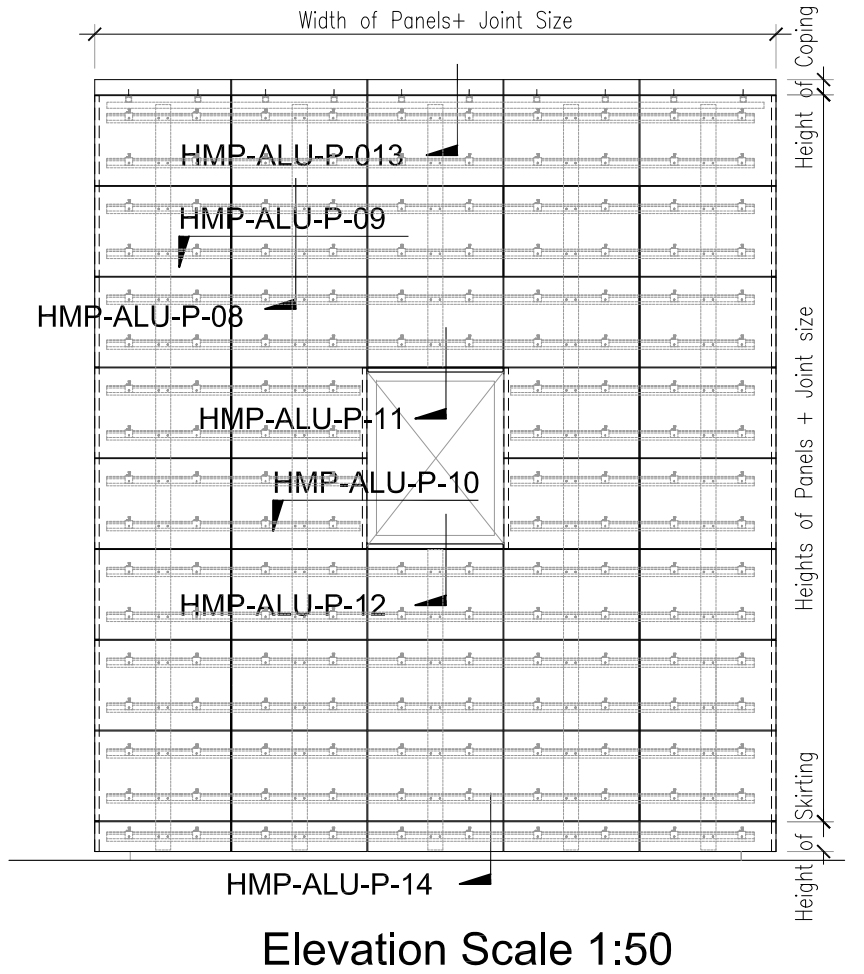
Title :		Horizontal Joint Installation - Stone Coping - Vertical Section			
Drawing No.		HAZCD-HMP-ALU-P-ST-13			
Series		Concept Drawings - Natural Stone Fixing System - HMP-Alu Sub Channel System			
Revision	01	Scale	As Shown	Paper Size: A3	Page : 13/17

HAZ METAL Sanayi ve Ticaret A.S
 PO Box 241 31200 Iskenderun / Turkey
 Tel: +90 326 6262050 Faks: 6262045
 info@hazmetal.com / www.hazmetal.com.

HMP-ALU-P SUB CHANNEL SYSTEM



Vertical section Scale 1:4

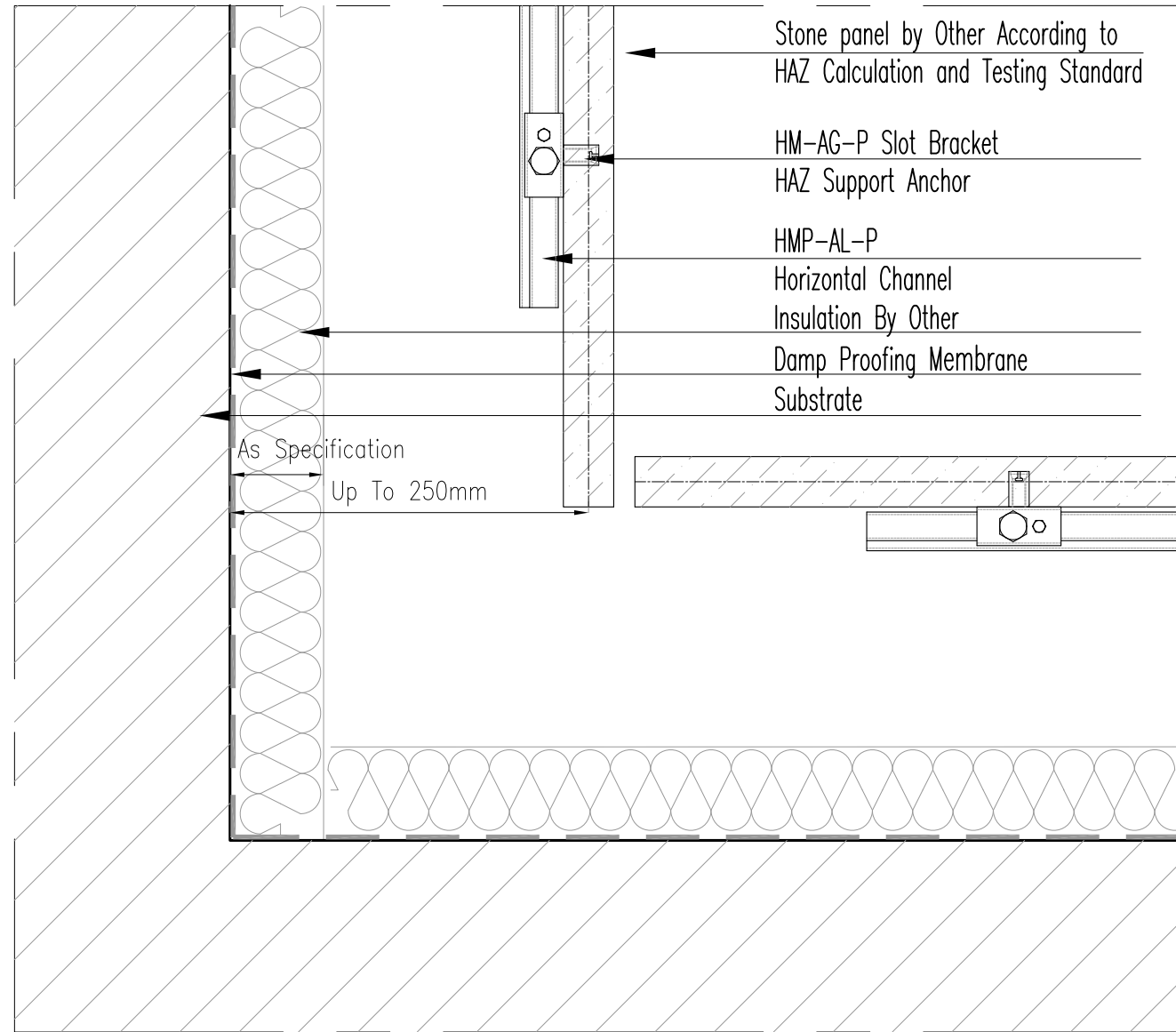


Title :		Horizontal Joint Installation - Stone Skirting - Vertical Section			
Drawing No.		HAZCD-HMP-ALU-P-ST-14			
Series		Concept Drawings - Natural Stone Fixing System - HMP-Alu Sub Channel System			
Revision	01	Scale	As Shown	Paper Size: A3	Page : 14/17

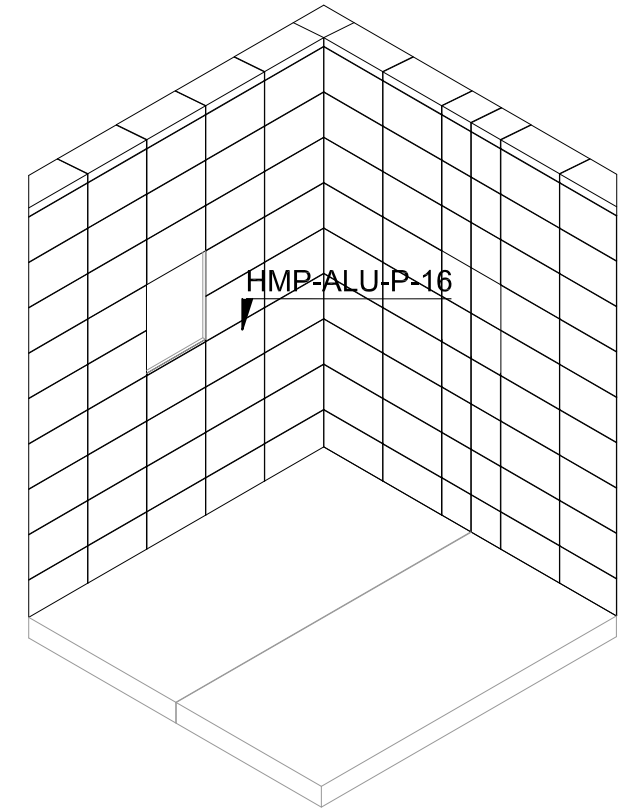
HAZ METAL Sanayi ve Ticaret A.S
PO Box 241 31200 Iskenderun / Turkey
Tel: +90 326 6262050 Faks: 6262045
info@hazmetal.com / www.hazmetal.com.

HMP-ALU-P

SUB CHANNEL SYSTEM



Horizontal section Scale 1:4



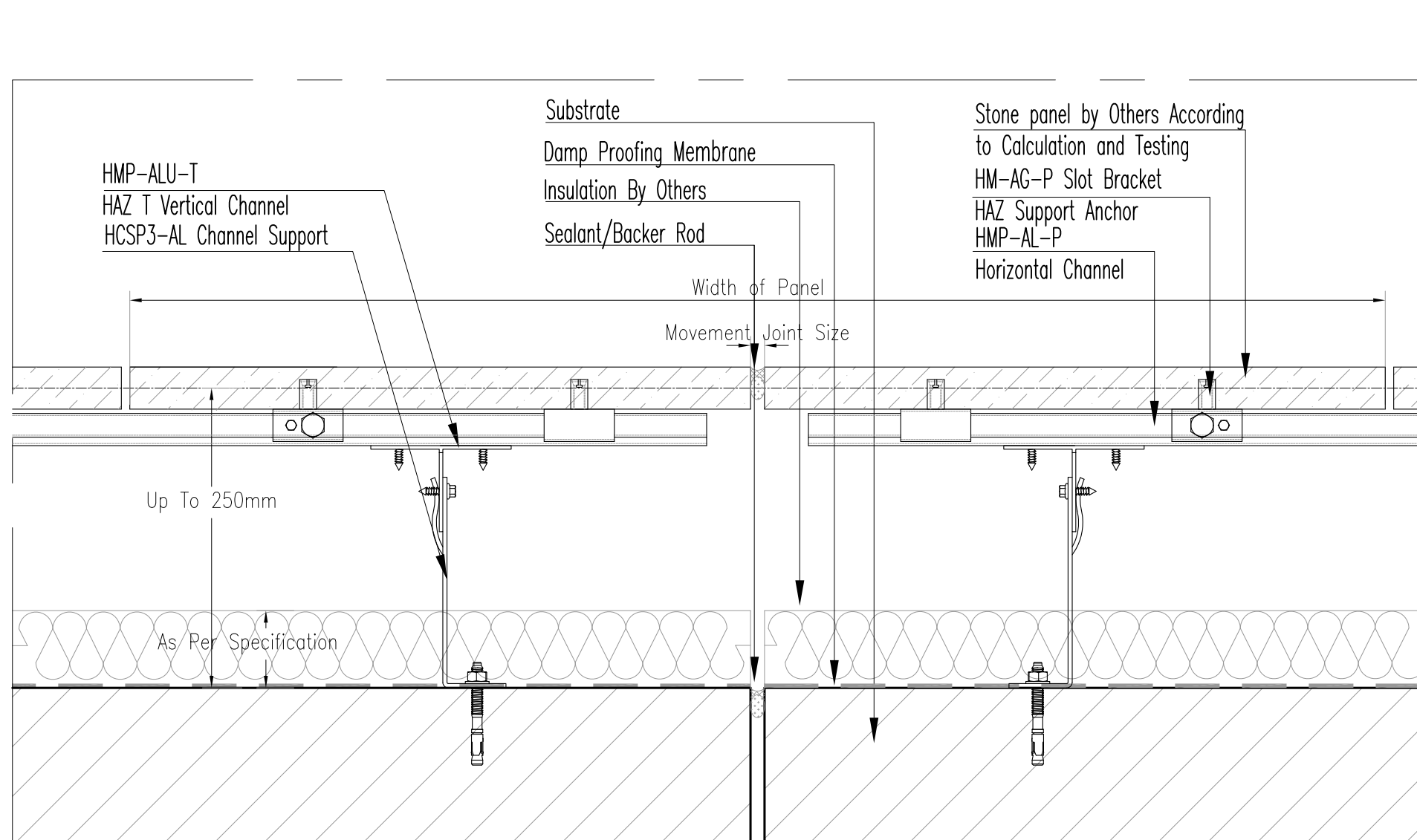
Isometric Scale 1:100



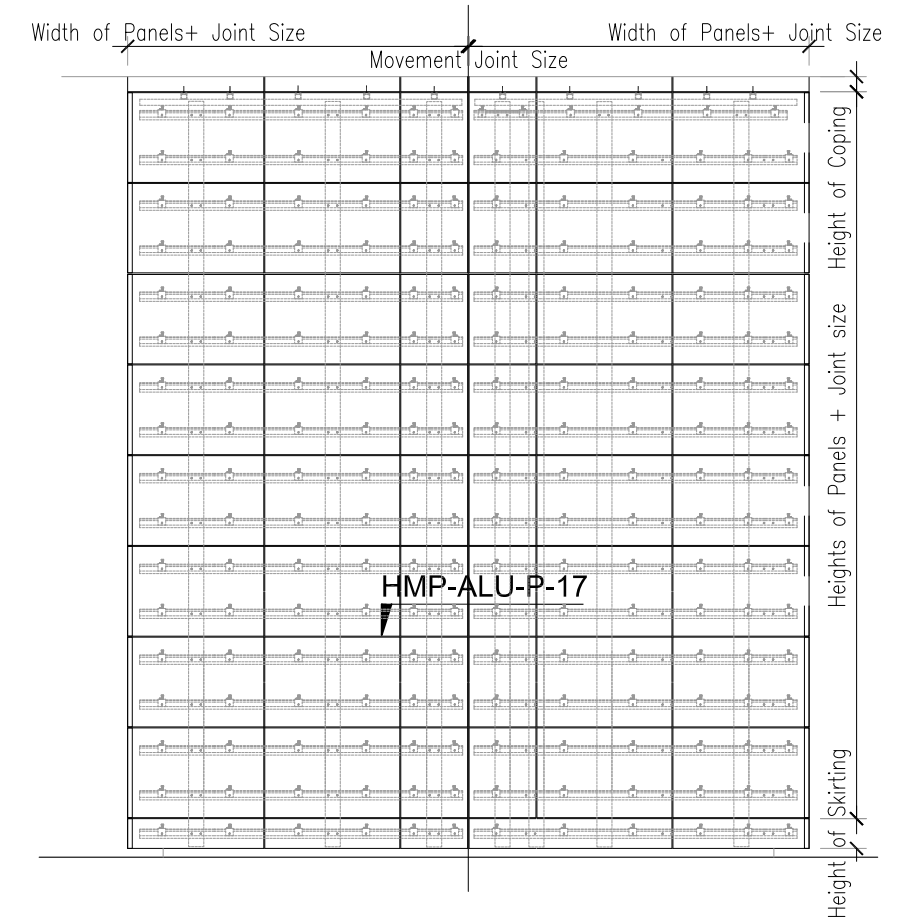
Title :		Internal Corner Stone Cladding - Horizontal Section				
Drawing No.		HAZCD-HMP-ALU-P-ST-16				
Series		Concept Drawings - Natural Stone Fixing System - HMP Sub-Alu Channel System				
Revision		01	Scale	As Shown	Paper Size: A3	Page : 16/17

HAZ METAL Sanayi ve Ticaret A.S
 PO Box 241 31200 Iskenderun / Turkey
 Tel: +90 326 6262050 Faks: 6262045
 info@hazmetal.com / www.hazmetal.com.

HMP-ALU-P SUB CHANNEL SYSTEM



Horizontal section Scale 1:4



Variation on Typical Elevation
Scale 1:50



Title :		Typical Stone Claddings - Movement Joint - Horizontal Section			
Drawing No.		HAZCD-HMP-ALU-P-ST-17			
Series		Concept Drawings - Natural Stone Fixing System - HMP-Alu Sub Channel System			
Revision		01	Scale	As Shown	Paper Size: A3
					Page : 17/17

HAZ METAL Sanayi ve Ticaret A.S
PO Box 241 31200 Iskenderun / Turkey
Tel: +90 326 6262050 Faks: 6262045
info@hazmetal.com / www.hazmetal.com.