

HAZ METAL
FIXING SYSTEMS

HMPA-HC5

SUB CHANNEL SYSTEM
Concept Drawings

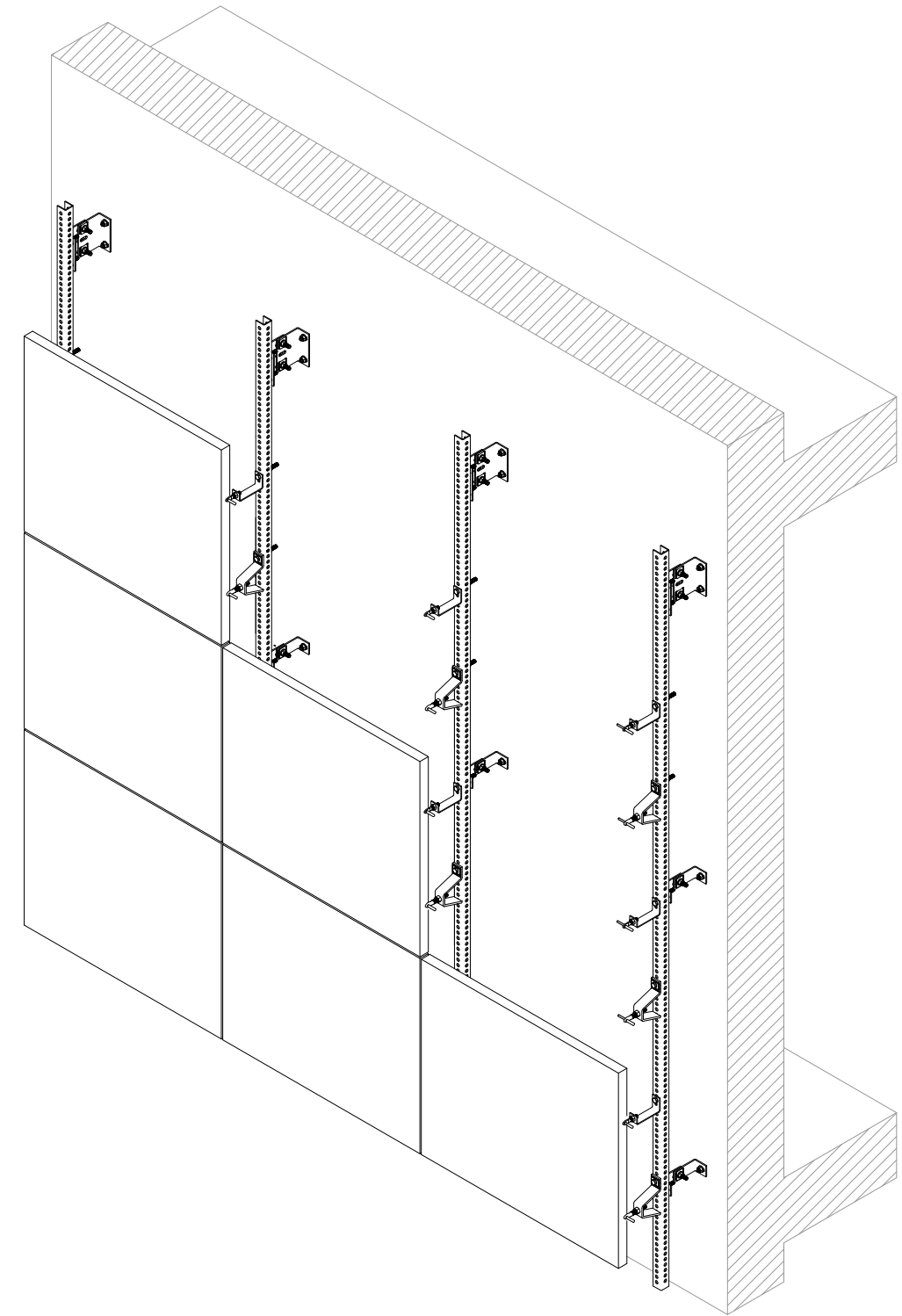
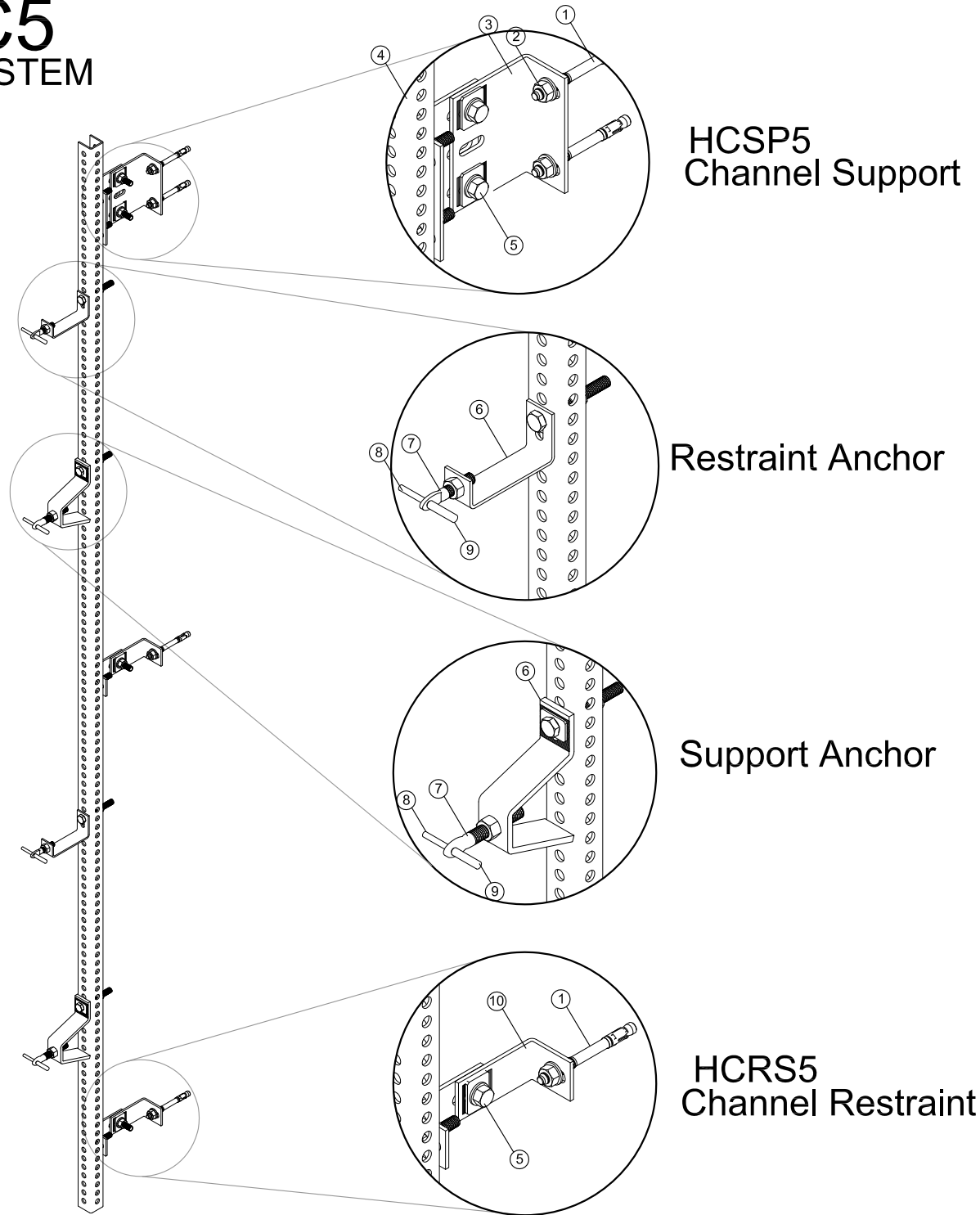
Series: HAZCD-HMPA-HC5-ST

Steel Support System For Rain Screen
Stone Cladding System for Installation at
Vertical and Horizontal Joints



HMPA-HC5

SUB CHANNEL SYSTEM



ISOMETRIC VIEW

Legend	
1	Through Bolt
2	Round Washer
3	Anchor Body
4	Channel Support
5	Hex Bolt
6	Anchor Body
7	Adjustable Arm
8	Flanged Pin
9	Plastic Tube
10	Channel Restraint Body

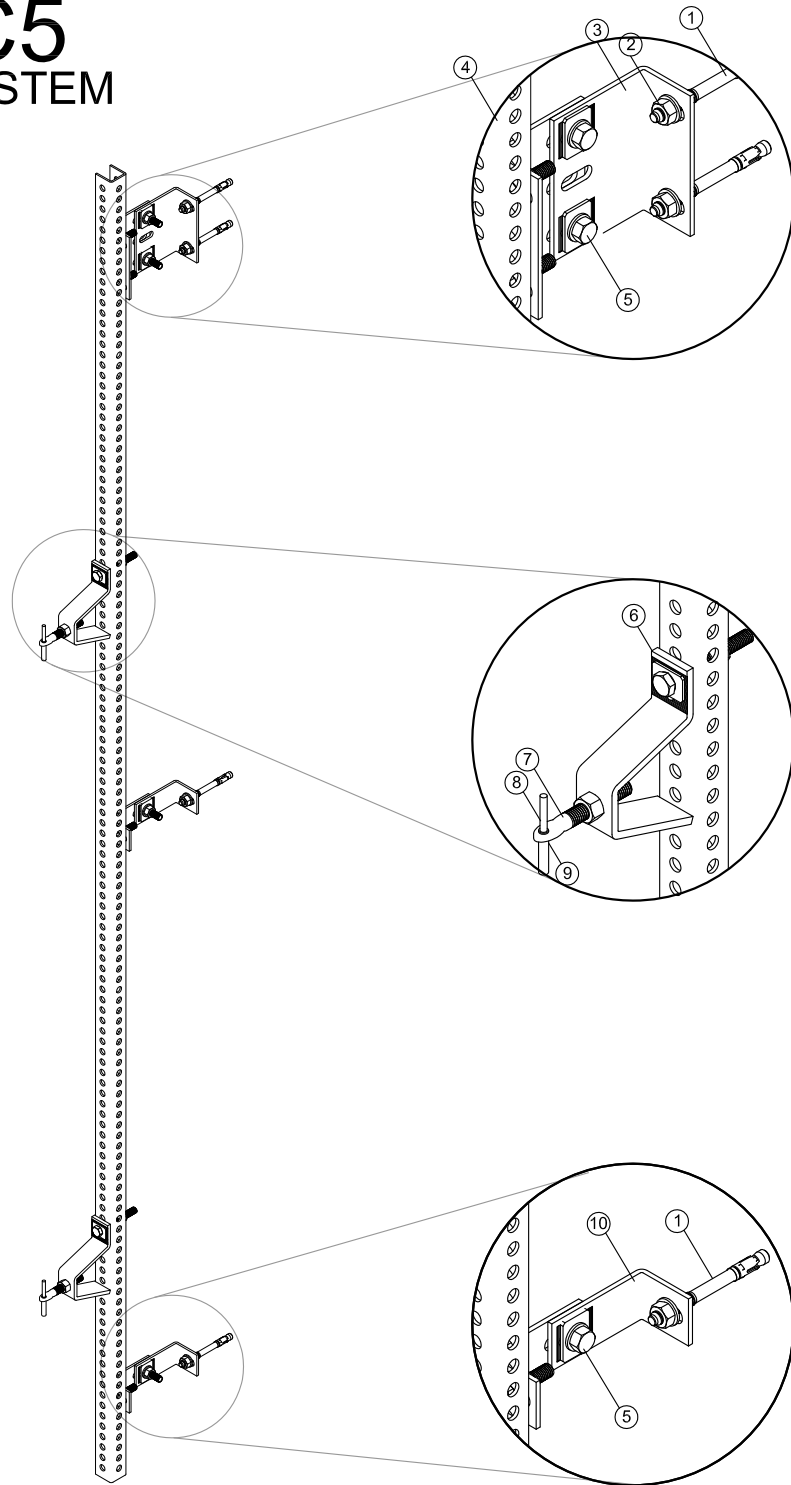


HAZ METAL Sanayi ve Ticaret A.S
 PO Box 241 31200 Iskenderun / Turkey
 Tel: +90 326 6262050 Faks: 6262045
 info@hazmetal.com / www.hazmetal.com.

Title : Natural Stone Facade - Built-up Cavity Wall - HMPA-HC5 Vertical Joint installation -Concrete Substrate					
Drawing No.	HAZCD-HMPA-HC5-ST-01				
Series	Concept Drawings - Natural Stone Fixing System - HMP Sub Channel System				
Revision	01	Scale	As Shown	Paper Size: A3	Page : 1/20

HMPA-HC5

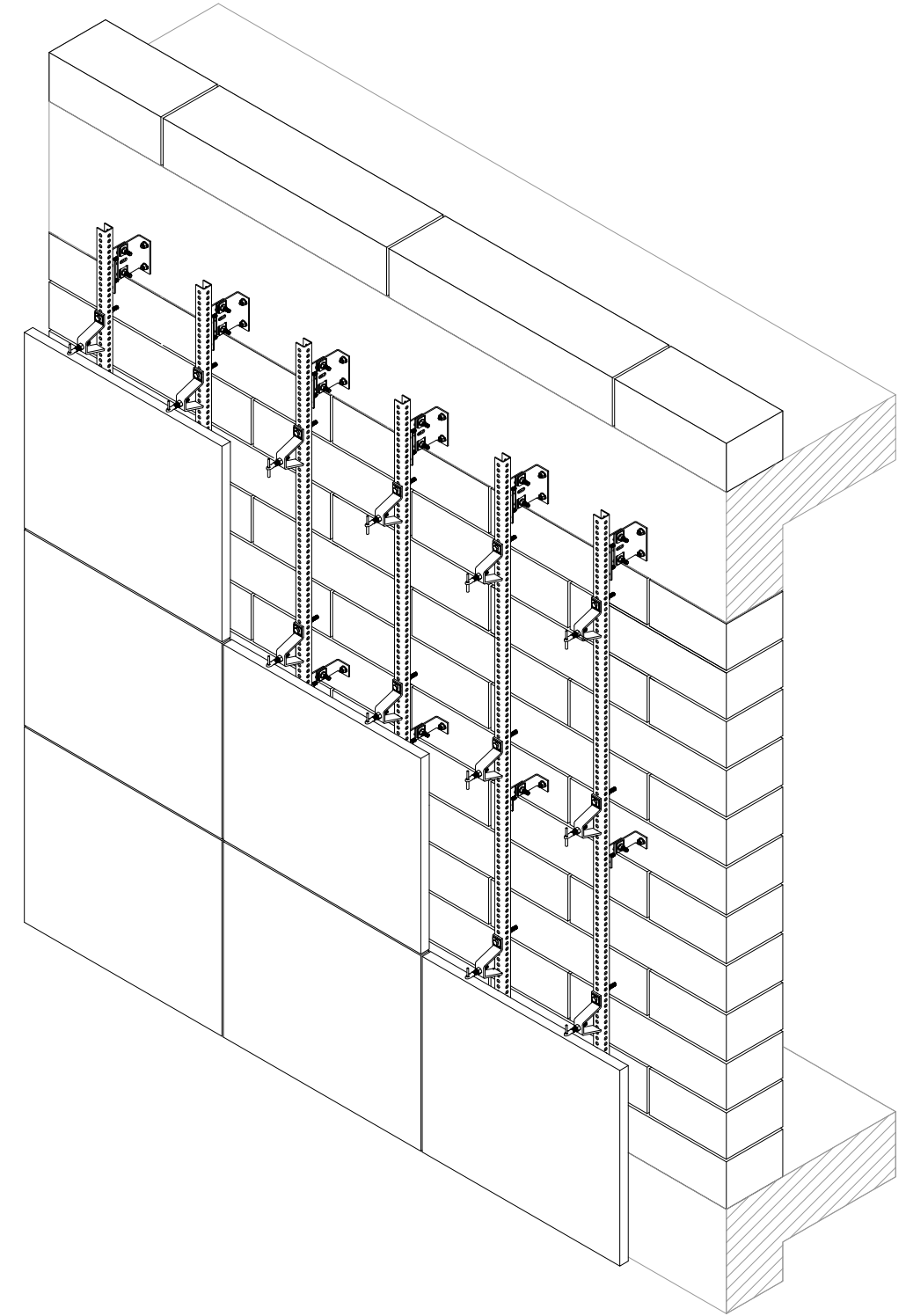
SUB CHANNEL SYSTEM



HCSP5
Channel Support

HZ02
Support & Restraint
Anchor

HCRS5
Channel Restraint



ISOMETRIC VIEW

Legend	
1	Through Bolt
2	Round Washer
3	Channel Support Body
4	HMPA -U Channel
5	Walded threaded Rod
6	Anchor Body
7	Adjustable Arm
8	Flanged Pin
9	Plastic Tube
10	Restraint Body

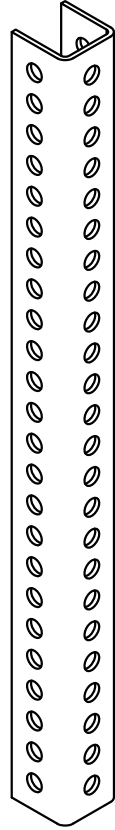


HAZ METAL Sanayi ve Ticaret A.S
PO Box 241 31200 Iskenderun / Turkey
Tel: +90 326 6262050 Faks: 6262045
info@hazmetal.com / www.hazmetal.com.

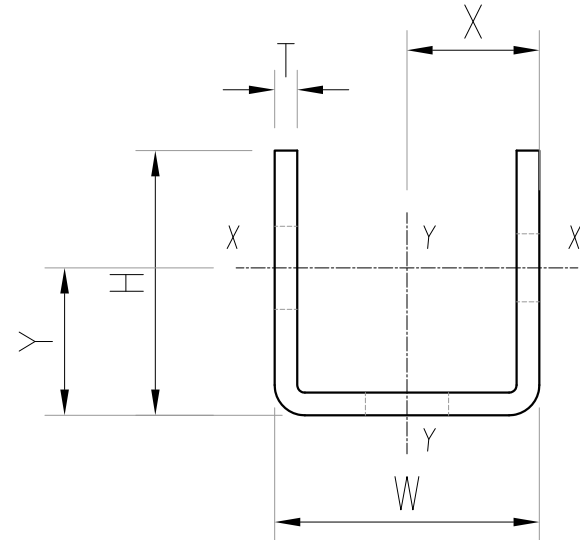
Title : Natural Stone Facade - Built-up Cavity Wall - HMPA-HC5 Horizontal joint installation -Block Work Substrate					
Drawing No.	HAZCD-HMPA-HC5-ST-02				
Series	Concept Drawings - Natural Stone Fixing System - HMP Sub Channel System				
Revision	01	Scale	As Shown	Paper Size: A3	Page : 2/20

HMPA

SUB CHANNEL SYSTEM



ISOMETRIC VIEW



Horizontal Section Scale 1:1

Product Code	Technical Details								
	Dimensions			X-X Axis			Y-Y Axis		
	Thickness T(mm)	Width W(mm)	Height H(mm)	IXX (cm ⁴)	ZX (cm ³)	X (mm)	IYY (cm ⁴)	ZY (cm ³)	Y (mm)
HMPA-2.5-40/30	2.50	40.00	30.00	1.57	0.74	20.00	4.21	2.11	8.80
HMPA-2.5-40/40	2.50	40.00	40.00	3.91	1.50	20.00	5.97	2.99	13.84
HMPA-3-35/35	3.00	35.00	35.00	2.83	1.24	17.00	4.27	2.44	12.14
HMPA-3-40/30	3.00	40.00	30.00	1.79	0.85	20.00	4.86	2.43	8.83
HMPA-3-40/40	3.00	40.00	40.00	4.55	1.74	20.00	6.92	3.46	13.93
HMPA-3-50/50	3.00	50.00	50.00	9.68	2.97	25.00	15.04	6.01	17.42
HMPA-4-40/40	4.00	40.00	40.00	5.67	2.19	20.00	8.60	4.30	14.10
HMPA-4-50/50	4.00	50.00	50.00	12.33	3.81	25.00	18.97	7.60	17.65
HMPA-5-50/50	5.00	50.00	50.00	14.68	4.57	25.00	22.40	8.97	17.87

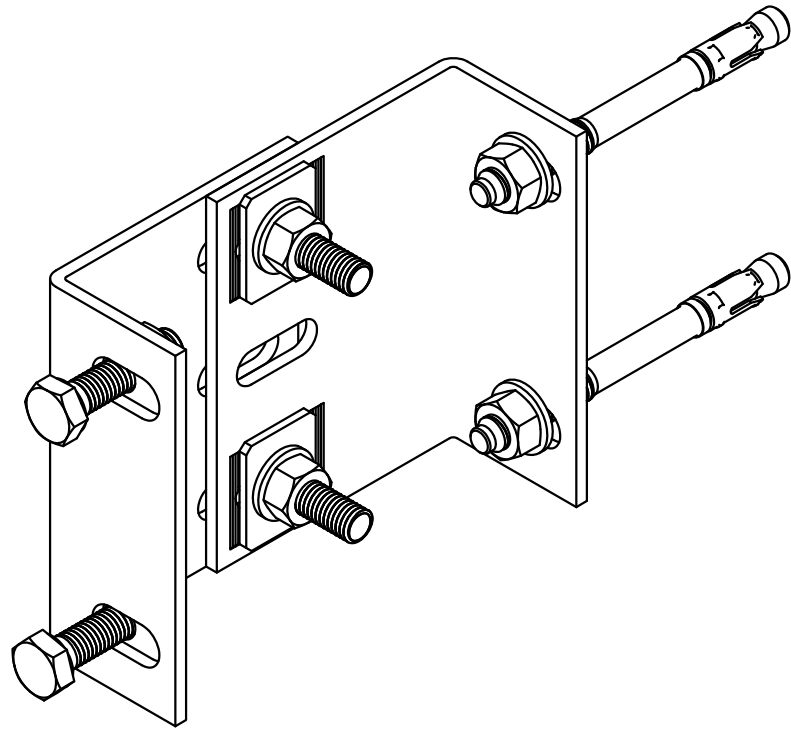


HAZ METAL Sanayi ve Ticaret A.S
 PO Box 241 31200 Iskenderun / Turkey
 Tel: +90 326 6262050 Faks: 6262045
 info@hazmetal.com / www.hazmetal.com.

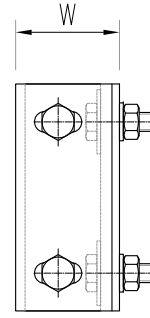
Title :	Natural Stone Facade - Built-up Cavity Wall - HMPA Specification								
Drawing No.	HAZCD-HMPA-HC5-ST-03								
Series	Concept Drawings - Natural Stone Fixing System - HMP Sub Channel System								
Revision	01	Scale	As Shown	Paper Size:	A3	Page :	3/20		

HCSP5

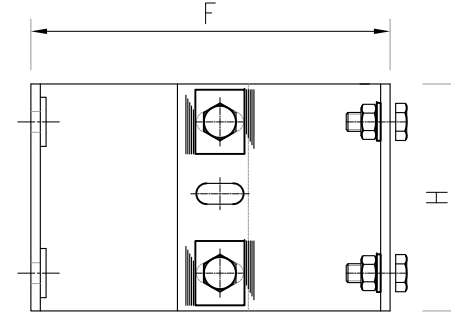
Channel Support



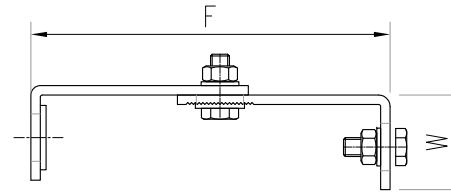
ISOMETRIC VIEW



Elevation View Scale 1:4



Side View Scale 1:4



Plan View Scale 1:4

Product Code	Technical Details						
	Width W(mm)	Height H(mm)	Forming F (mm)	Hex Screw	Exp. Bolt	Max Load (N)	Max. Wind load (N)
HCSP5-130	50	120	130	M10x25	M10x90	3200	2600
HCSP5-150	50	120	150				
HCSP5-170	50	120	170				
HCSP5-190	50	120	190				
HCSP5-210	60	120	210				
HCSP5-230	60	120	230				
HCSP5-250	60	120	250				
HCSP5-270	60	120	270				
HCSP5-290	60	120	290				
HCSP5-310	60	120	310				

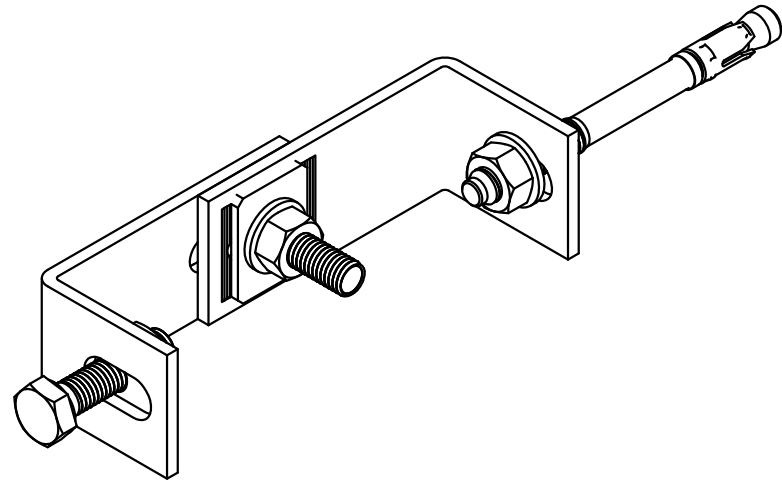


HAZ METAL Sanayi ve Ticaret A.S
 PO Box 241 31200 Iskenderun / Turkey
 Tel: +90 326 6262050 Faks: 6262045
 info@hazmetal.com / www.hazmetal.com.

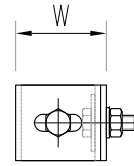
Title :	Natural Stone Facade - Built-up Cavity Wall - HMPA-HC5 System - HCSP5 Specification						
Drawing No.	HAZCD-HMPA-HC5-ST-04						
Series	Concept Drawings - Natural Stone Fixing System - HMP Sub Channel System						
Revision	01	Scale	As Shown	Paper Size:	A3	Page :	4/20

HCRS5

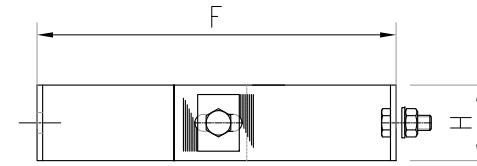
Channel Support



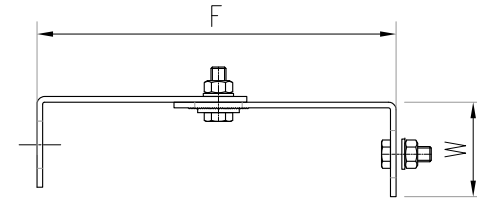
ISOMETRIC VIEW



Elevation View Scale 1:4



Side View Scale 1:4



Plan View Scale 1:4

Product Code	Technical Details					
	Width W(mm)	Height H(mm)	Forming F (mm)	Hex Screw	Exp. Bolt	Max. Wind load (N)
HCRS5-130	50	40	130	M10x25	M8x90	3000
HCRS5-150	50	40	150			
HCRS5-170	50	40	170			
HCRS5-190	50	40	190			
HCRS5-210	60	40	210			
HCRS5-230	60	40	230			
HCRS5-250	60	40	250			
HCRS5-270	60	40	270			
HCRS5-290	60	40	290			
HCRS5-310	60	40	310			

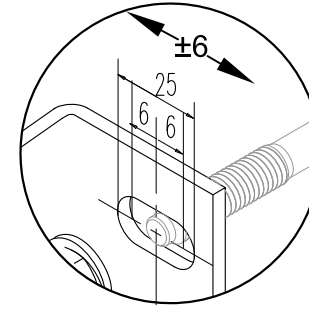
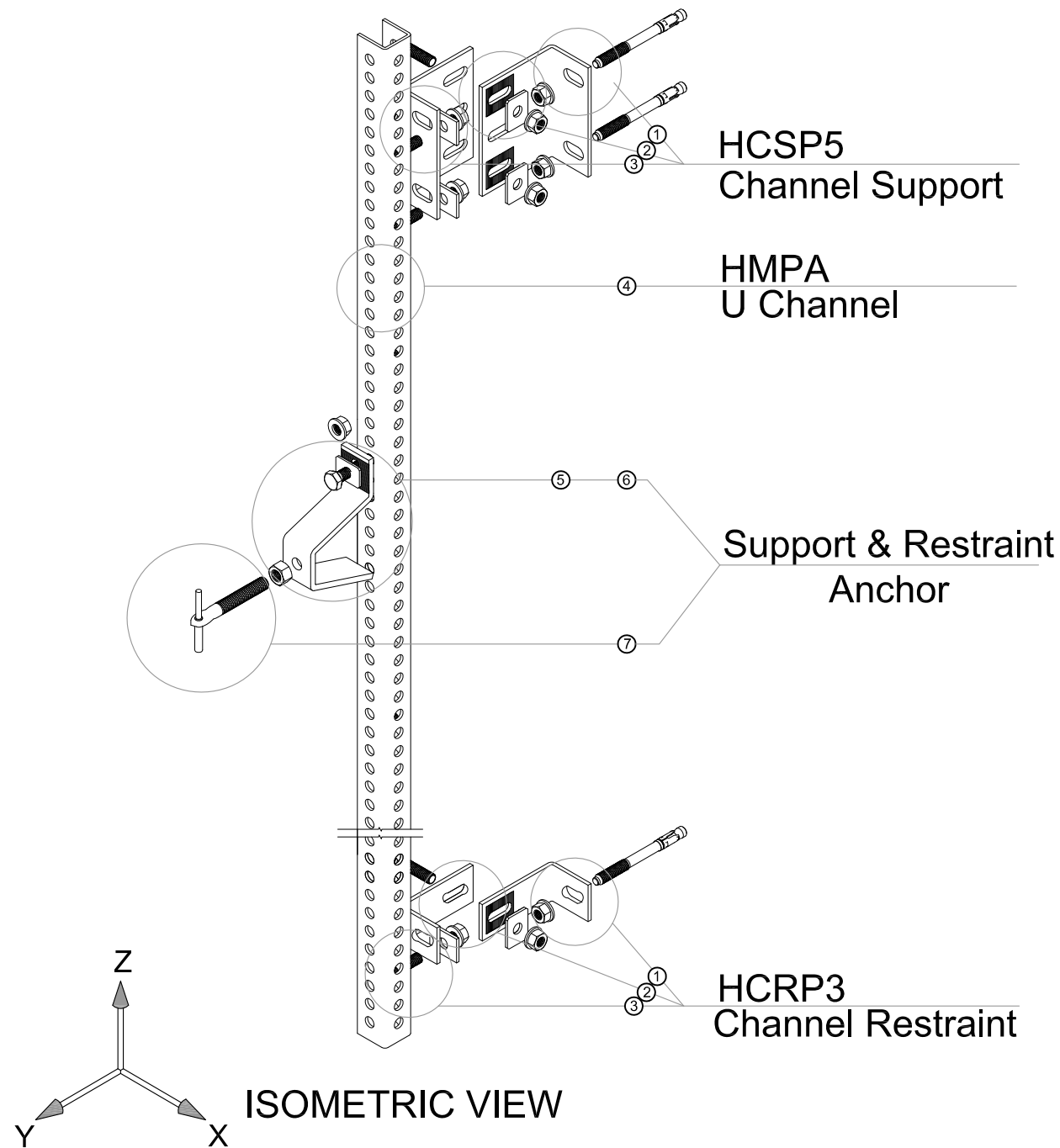


Title :		Natural Stone Facade - Built-up Cavity Wall - HMPA-HC5 System- HCRS5 Specification					
Drawing No.	HAZCD-HMPA-HC5-ST-05						
Series	Concept Drawings - Natural Stone Fixing System - HMP Sub Channel System						
Revision	01	Scale	As Shown	Paper Size:	A3	Page :	5/20

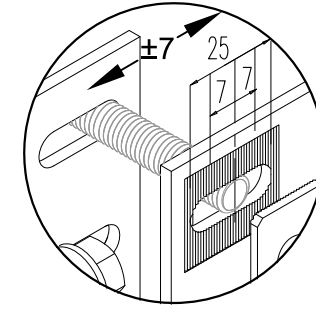
HAZ METAL Sanayi ve Ticaret A.S
 PO Box 241 31200 Iskenderun / Turkey
 Tel: +90 326 6262050 Faks: 6262045
 info@hazmetal.com / www.hazmetal.com.

HMPA-HC5

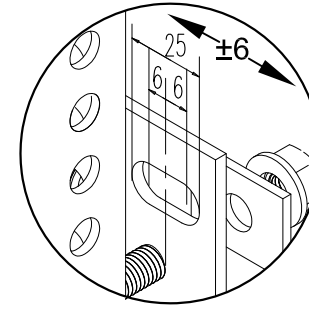
SUB CHANNEL SYSTEM



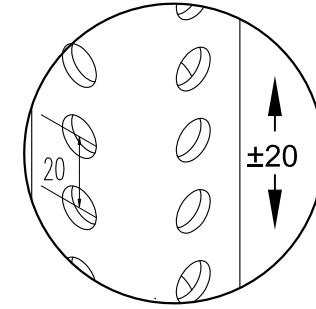
① The Adjustability on the X axis is Provided by Slotted hole ± 6 mm .



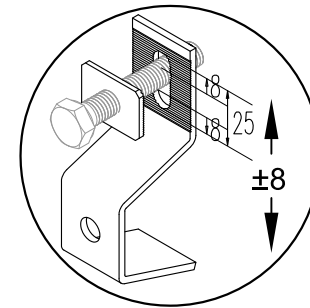
② The Adjustability on the Y axis is Provided by Slotted hole ± 8 mm .



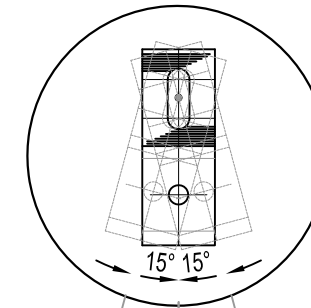
③ The Adjustability on the Y axis is Provided by Slotted hole ± 6 mm .



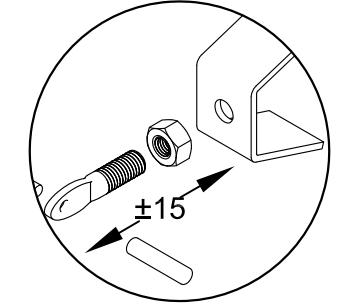
④ Adjustment of the anchor Up and Down on the Z Axis is provided by Holes in 20 mm increment.



⑤ The Adjustability on the Z Axis is Provided by the slotted hole ± 8 mm



⑥ Adjustment of the anchor left and right is provided by sliding the body up to 15 degrees side ways.



⑦ Adjustment of the Projection size on the Y Axis is provided by rotating the adjustable arm ± 15 mm.

Note: For Further Dimension Refer to Each Items Details Drawings.



HAZ METAL Sanayi ve Ticaret A.S
PO Box 241 31200 Iskenderun / Turkey
Tel: +90 326 6262050 Faks: 6262045
info@hazmetal.com / www.hazmetal.com.

Title :		Natural Stone Facade - Built-up Cavity Wall - Adjustability			
Drawing No.	HAZCD-HMPA-HC5-ST-06				
Series	Concept Drawings - Natural Stone Fixing System - HMP Sub Channel System				
Revision	01	Scale	As Shown	Paper Size: A3	Page : 6/20

HMPA-HC5 SUB CHANNEL SYSTEM

Substrate Blockwork
Damp Proofing Membrane
Insulation By Other

HZ02
HAZ Support & Restraints Anchor

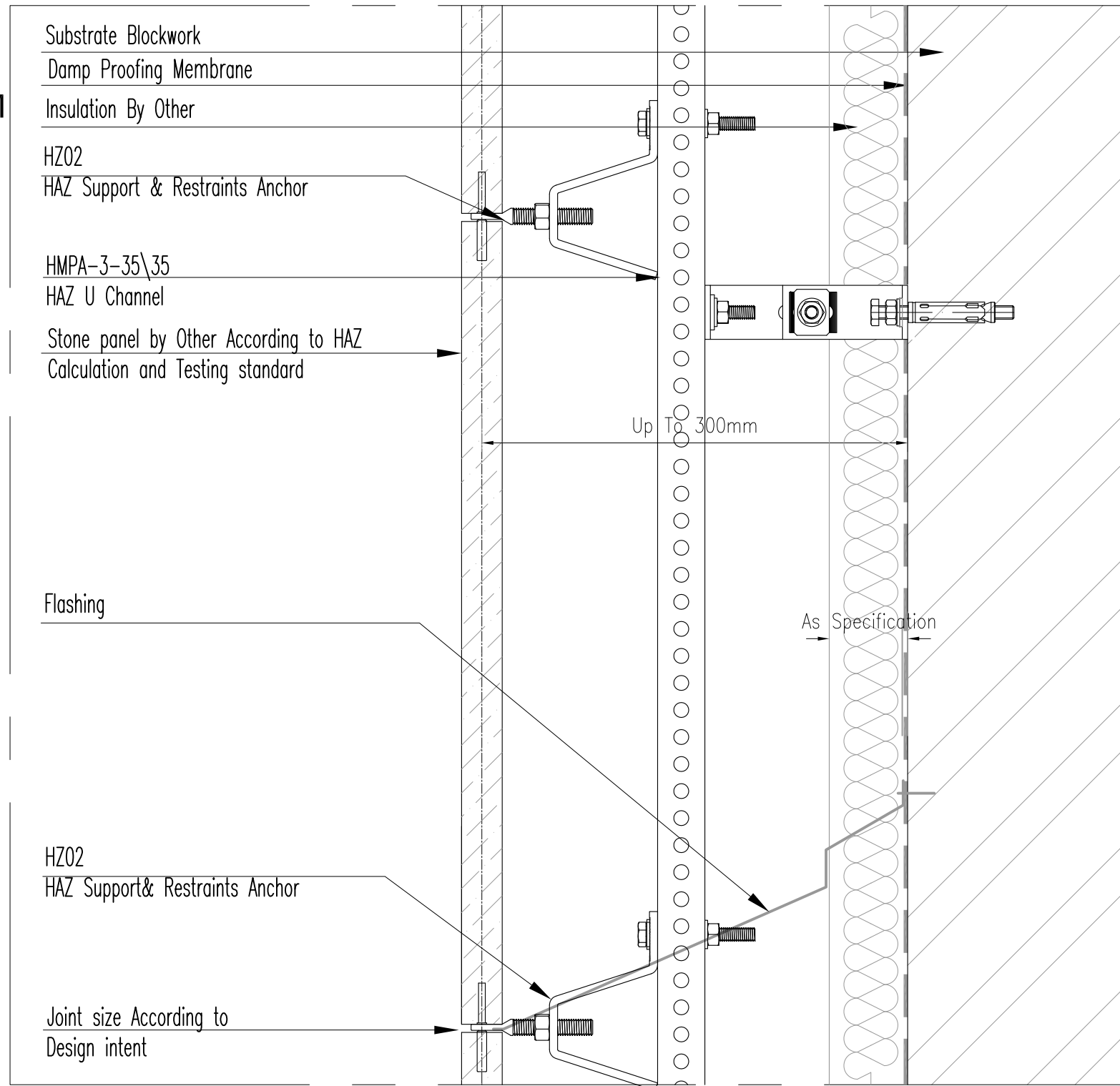
HMPA-3-35\35
HAZ U Channel

Stone panel by Other According to HAZ
Calculation and Testing standard

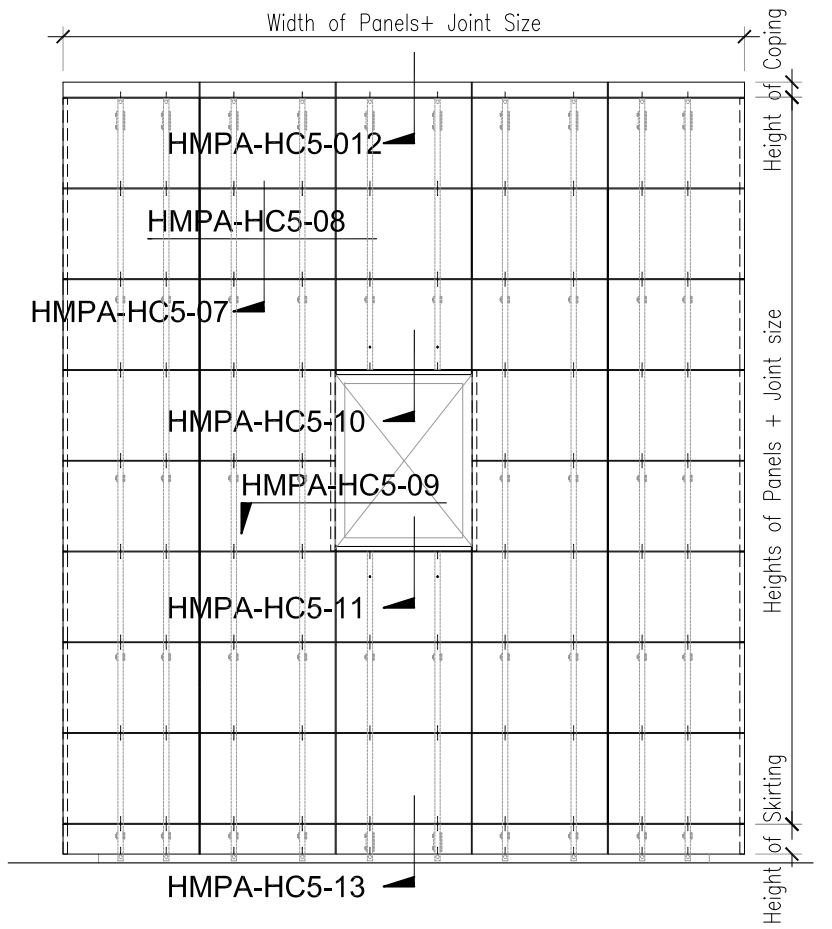
Flashing

HZ02
HAZ Support & Restraints Anchor

Joint size According to
Design intent



Vertical section Scale 1:4



Elevation Scale 1:50

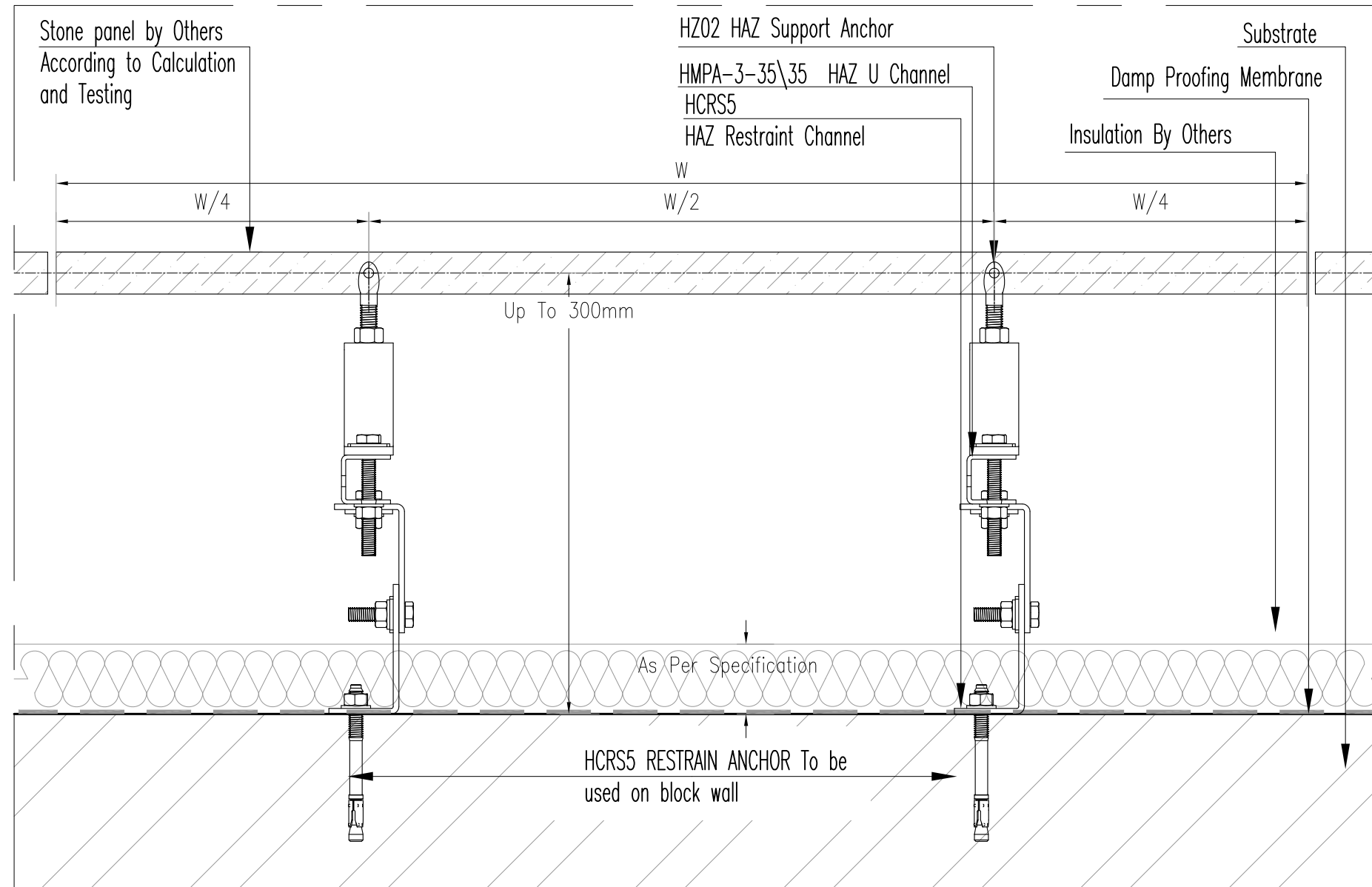


Title :		Horizontal Joint Installation - Typical Stone Claddings - HMPA-HC5 System - Vertical Section				
Drawing No.		HAZCD-HMPA-HC5-ST-07				
Series		Concept Drawings - Natural Stone Fixing System - HMP Sub Channel System				
Revision	01	Scale	As Shown	Paper Size:	A3	Page : 7/20

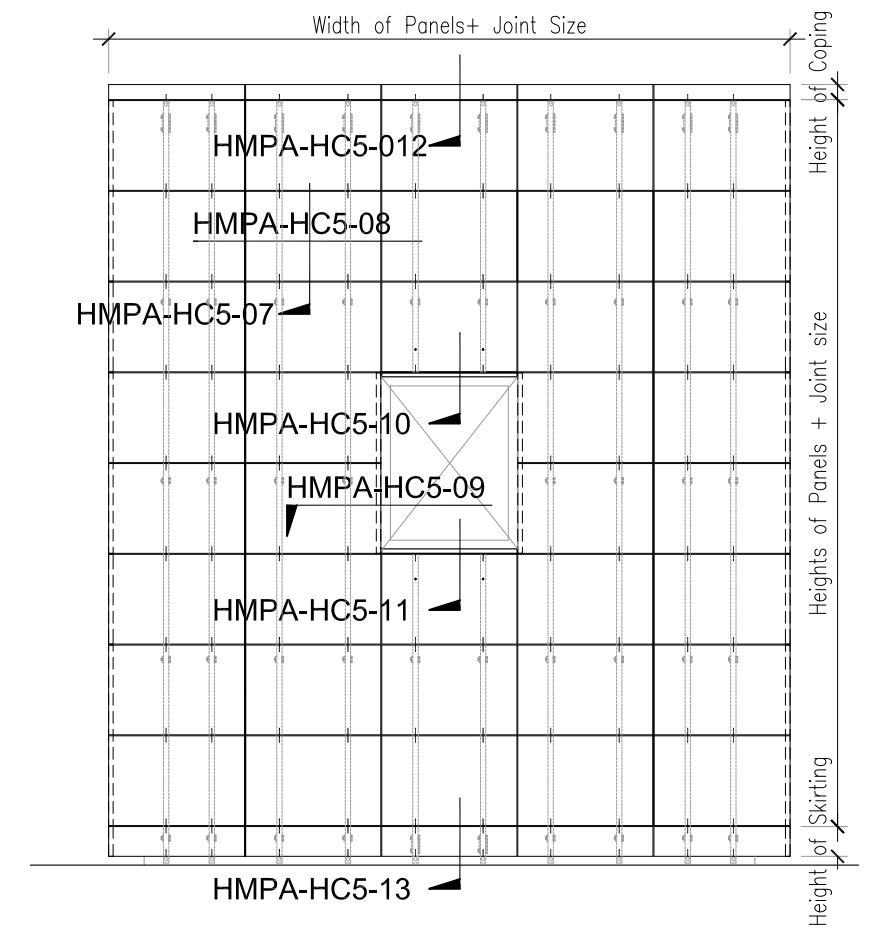
HAZ METAL Sanayi ve Ticaret A.S
PO Box 241 31200 Iskenderun / Turkey
Tel: +90 326 6262050 Faks: 6262045
info@hazmetal.com / www.hazmetal.com.

HMPA-HC5

SUB CHANNEL SYSTEM



Horizontal section Scale 1:4



Elevation Scale 1:50

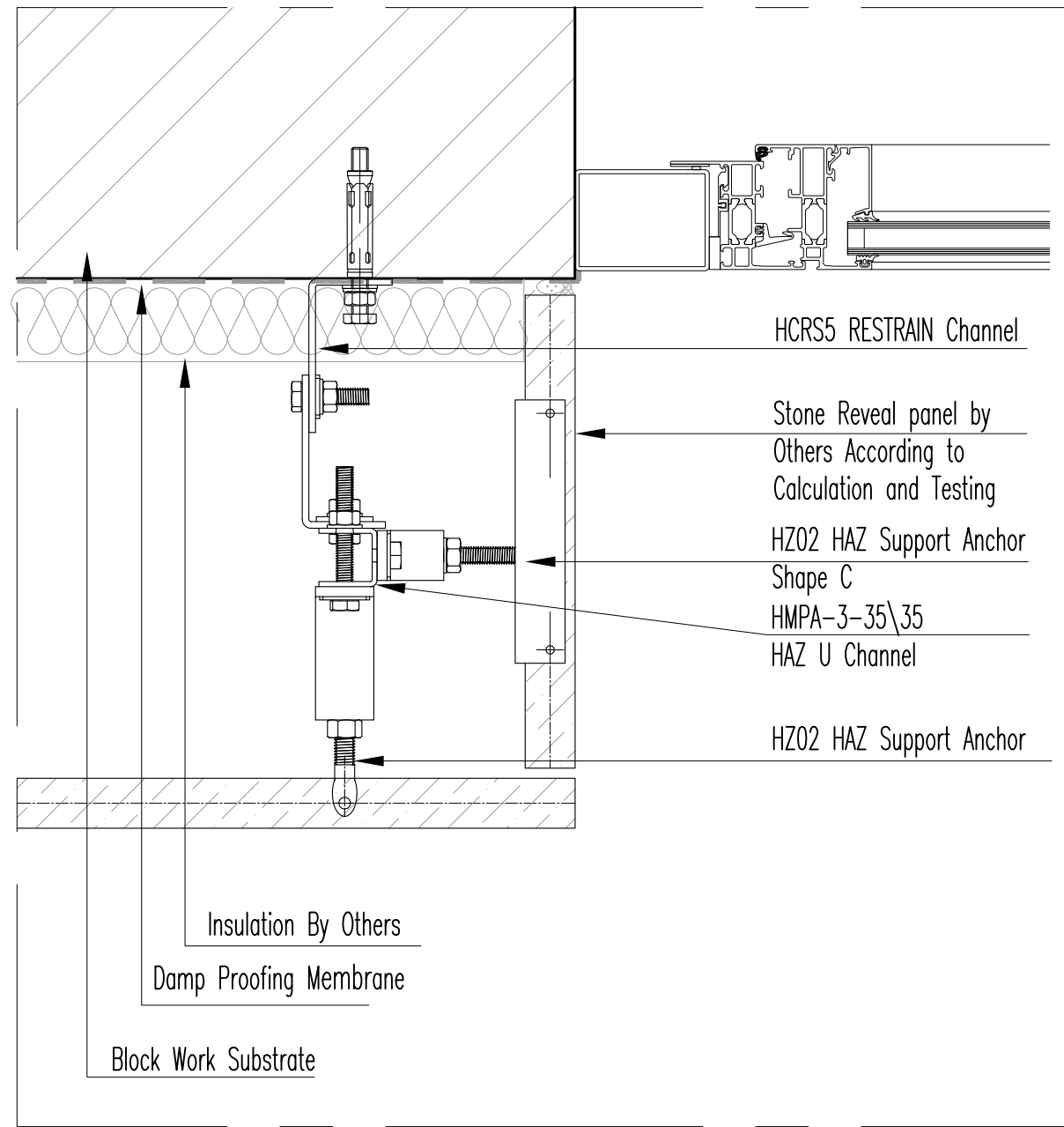


Title : Vertical Joint Installation on Block work substrate - Typical Stone Claddings - HMPA-HC5 System - Horizontal Section					
Drawing No.		HAZCD-HMPA-HC5-ST-08			
Series		Concept Drawings - Natural Stone Fixing System - HMP Sub Channel System			
Revision		01	Scale	As Shown	Paper Size: A3
					Page : 8/20

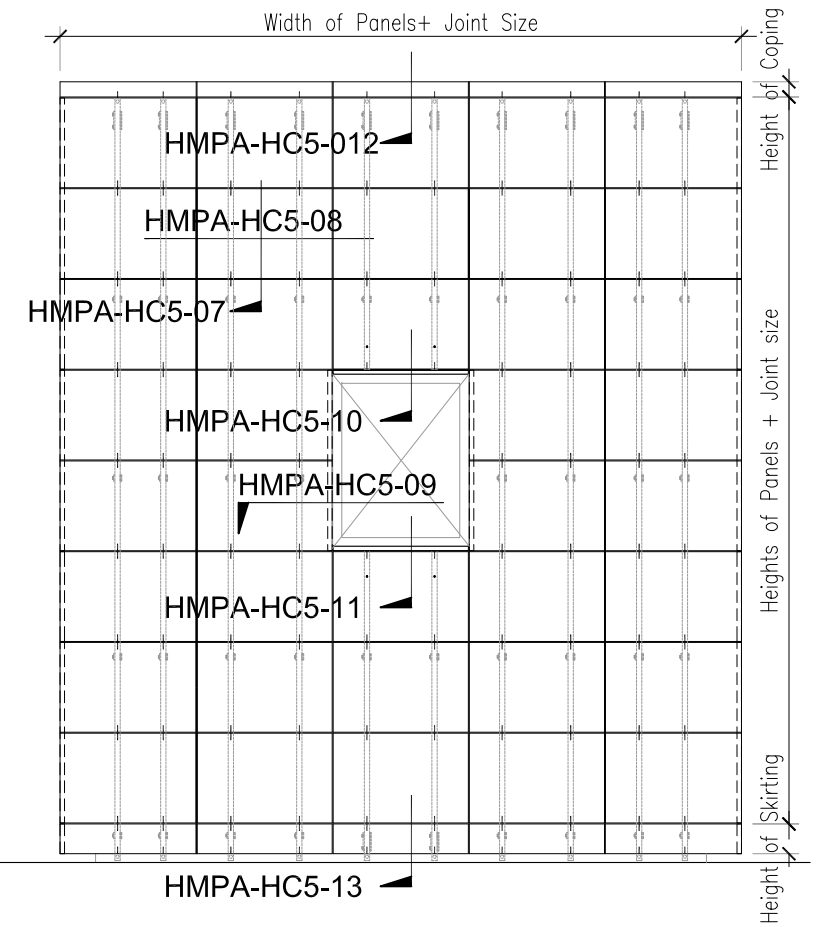
HAZ METAL Sanayi ve Ticaret A.S
 PO Box 241 31200 Iskenderun / Turkey
 Tel: +90 326 6262050 Faks: 6262045
 info@hazmetal.com / www.hazmetal.com.

HMPA-HC5

SUB CHANNEL SYSTEM



Horizontal section Scale 1:4



Elevation Scale 1:50

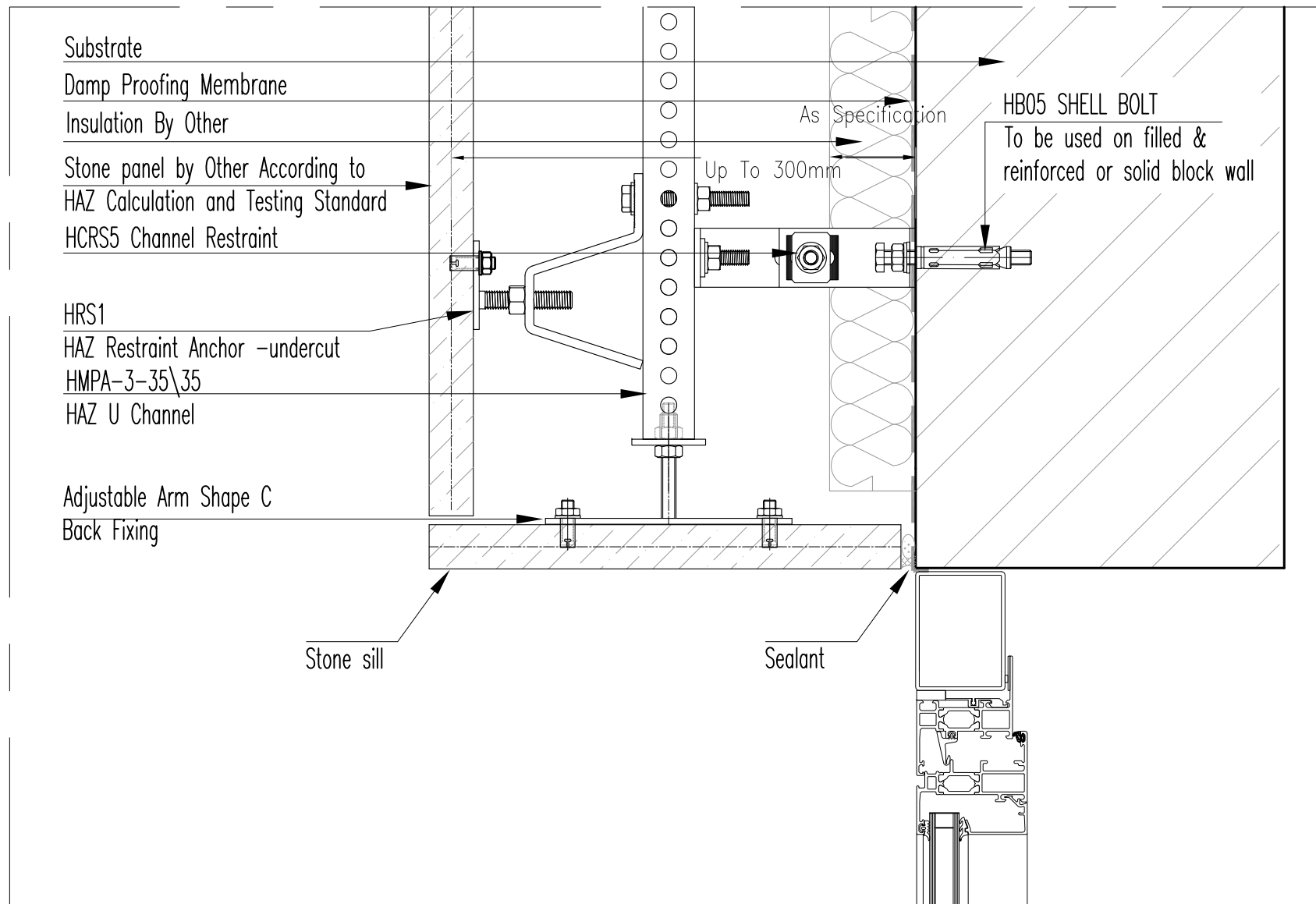


Title :		Horizontal Joint Installation - HMPA-HC5 System - Stone Reveal - Horizontal Section				
Drawing No.		HAZCD-HMPA-HC5-ST-09				
Series		Concept Drawings - Natural Stone Fixing System - HMP Sub Channel System				
Revision		01	Scale	As Shown	Paper Size: A3	Page : 9/20

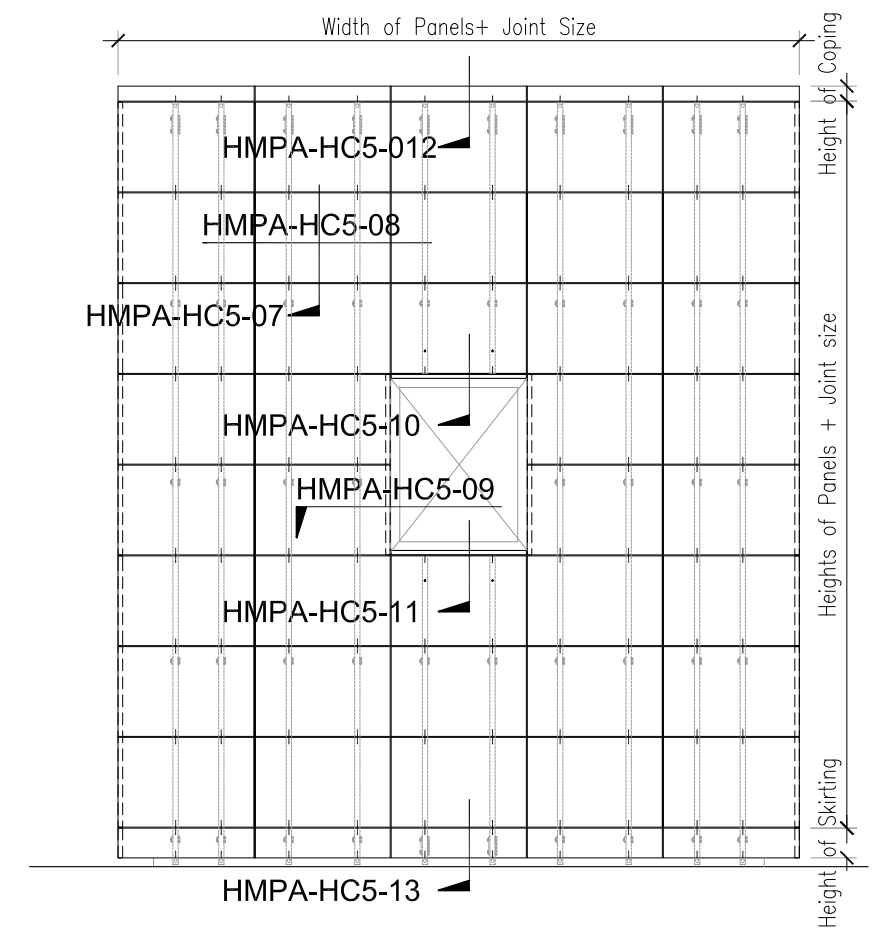
HAZ METAL Sanayi ve Ticaret A.S
 PO Box 241 31200 Iskenderun / Turkey
 Tel: +90 326 6262050 Faks: 6262045
 info@hazmetal.com / www.hazmetal.com.

HMPA-HC5

SUB CHANNEL SYSTEM



Vertical section Scale 1:4



Elevation Scale 1:50

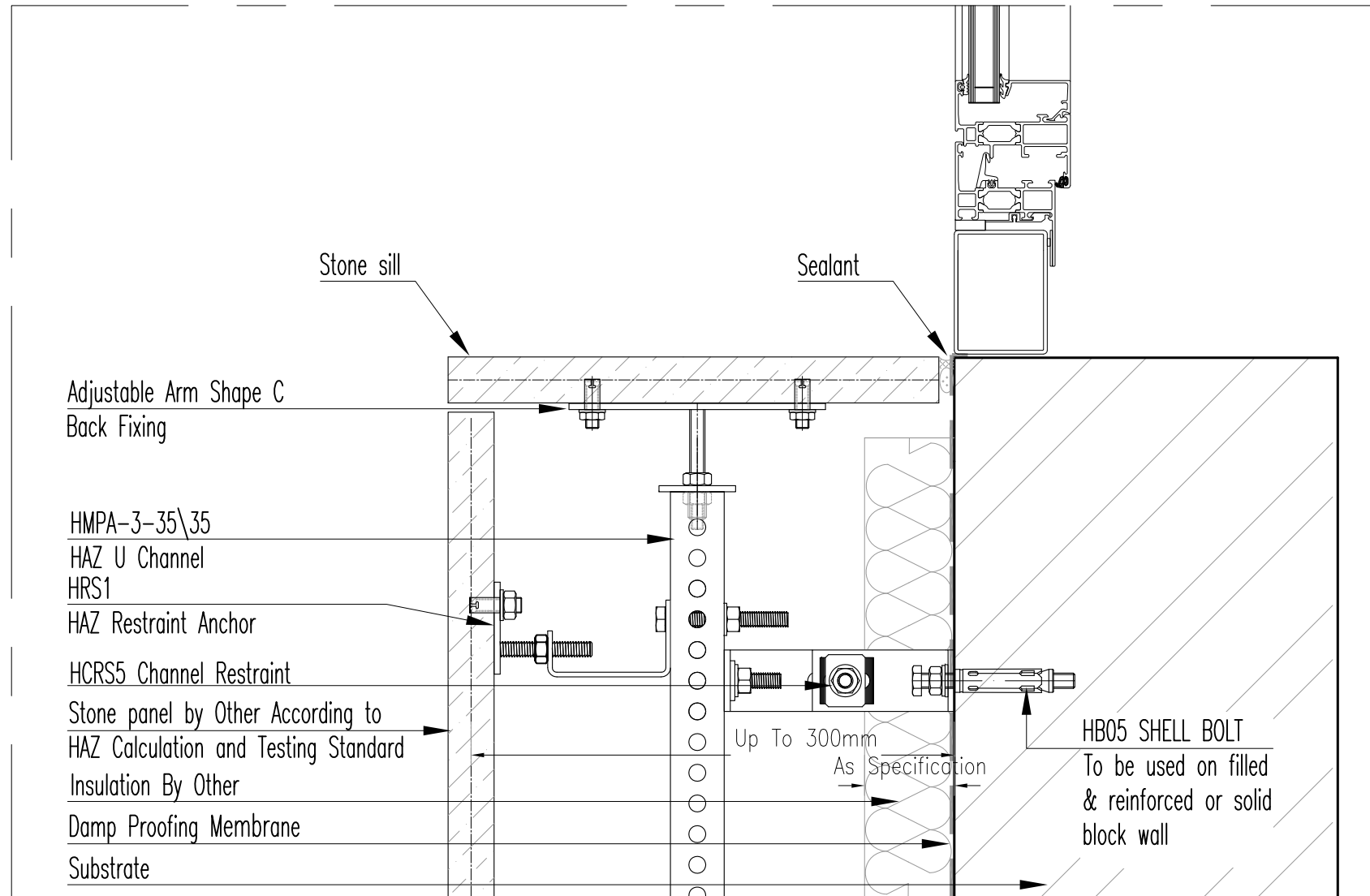


Title :		Vertical Joint Installation - HMPA-HC5 System -- Stone Soffit - Vertical Section			
Drawing No.		HAZCD-HMPA-HC5-ST-10			
Series		Concept Drawings - Natural Stone Fixing System - HMP Sub Channel System			
Revision		01	Scale	As Shown	Paper Size: A3
					Page : 10/20

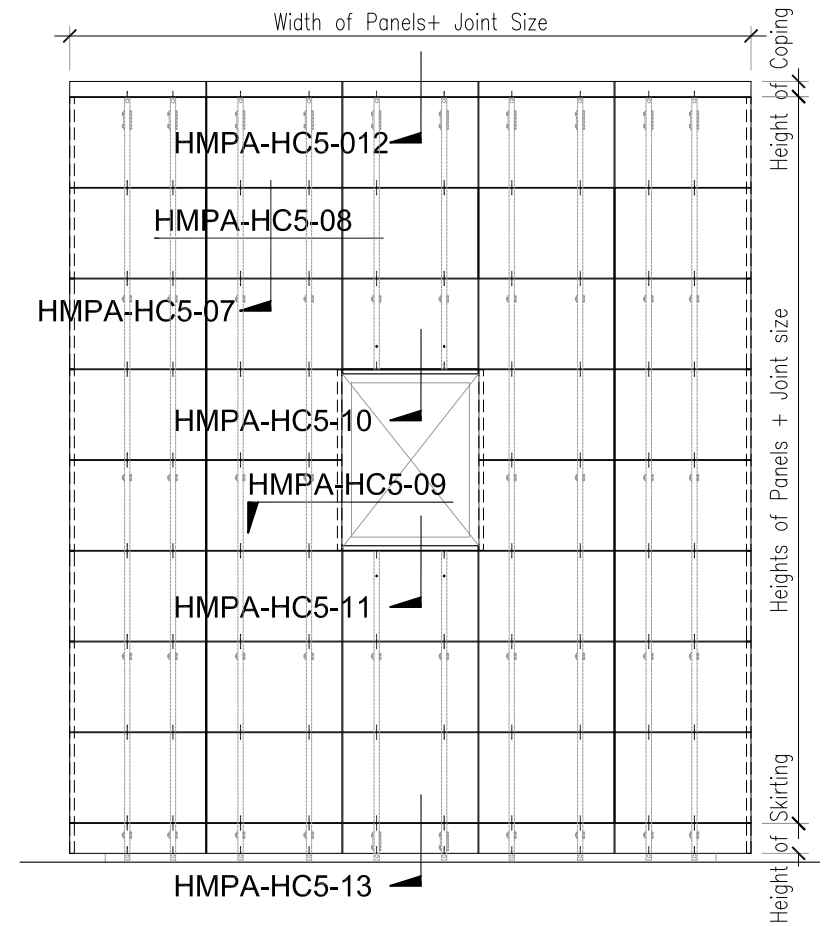
HAZ METAL Sanayi ve Ticaret A.S
 PO Box 241 31200 Iskenderun / Turkey
 Tel: +90 326 6262050 Faks: 6262045
 info@hazmetal.com / www.hazmetal.com.

HMPA-HC5

SUB CHANNEL SYSTEM



Vertical section Scale 1:4



Elevation Scale 1:50

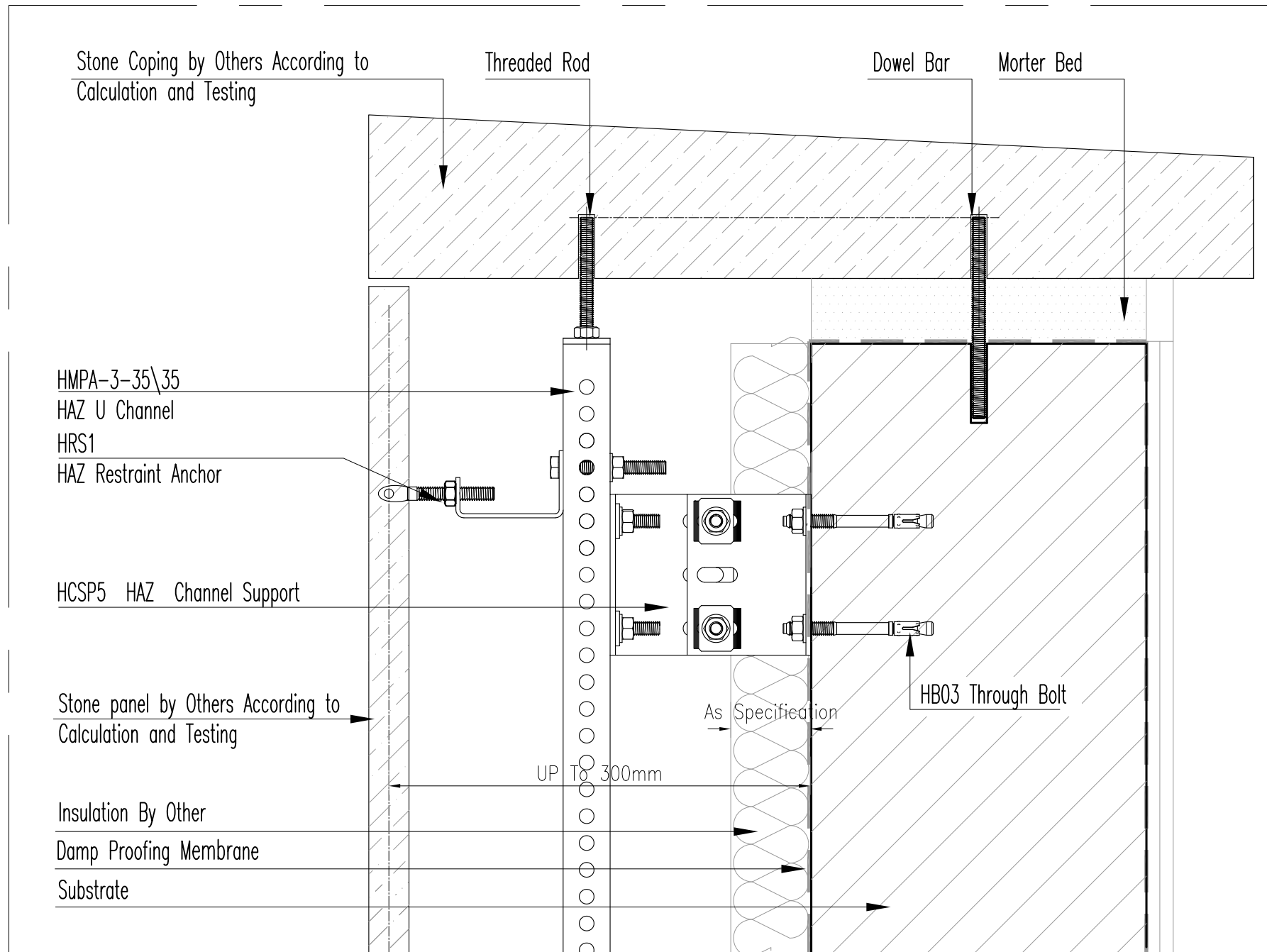


Title :		Vertical Joint Installation -- HMPA-HC5 System - Stone Sill - Vertical Section			
Drawing No.		HAZCD-HMPA-HC5-ST-11			
Series		Concept Drawings - Natural Stone Fixing System - HMP Sub Channel System			
Revision		01	Scale	As Shown	Paper Size: A3
					Page : 11/20

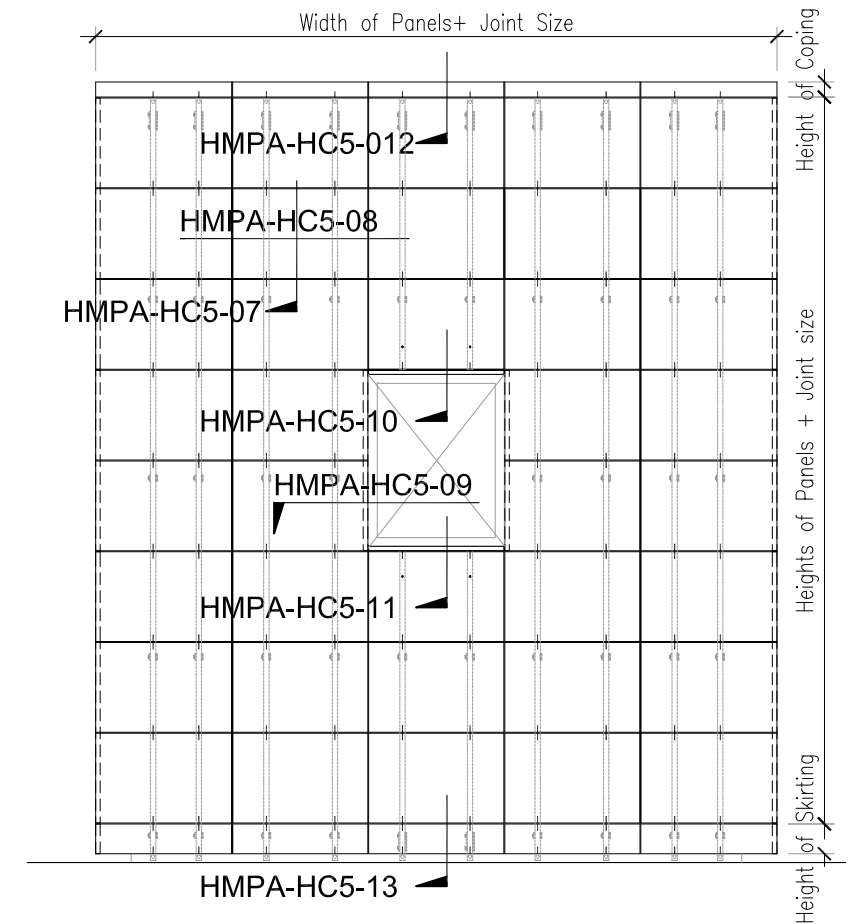
HAZ METAL Sanayi ve Ticaret A.S
PO Box 241 31200 Iskenderun / Turkey
Tel: +90 326 6262050 Faks: 6262045
info@hazmetal.com / www.hazmetal.com.

HMPA-HC5

SUB CHANNEL SYSTEM



Vertical section Scale 1:4



Elevation Scale 1:50

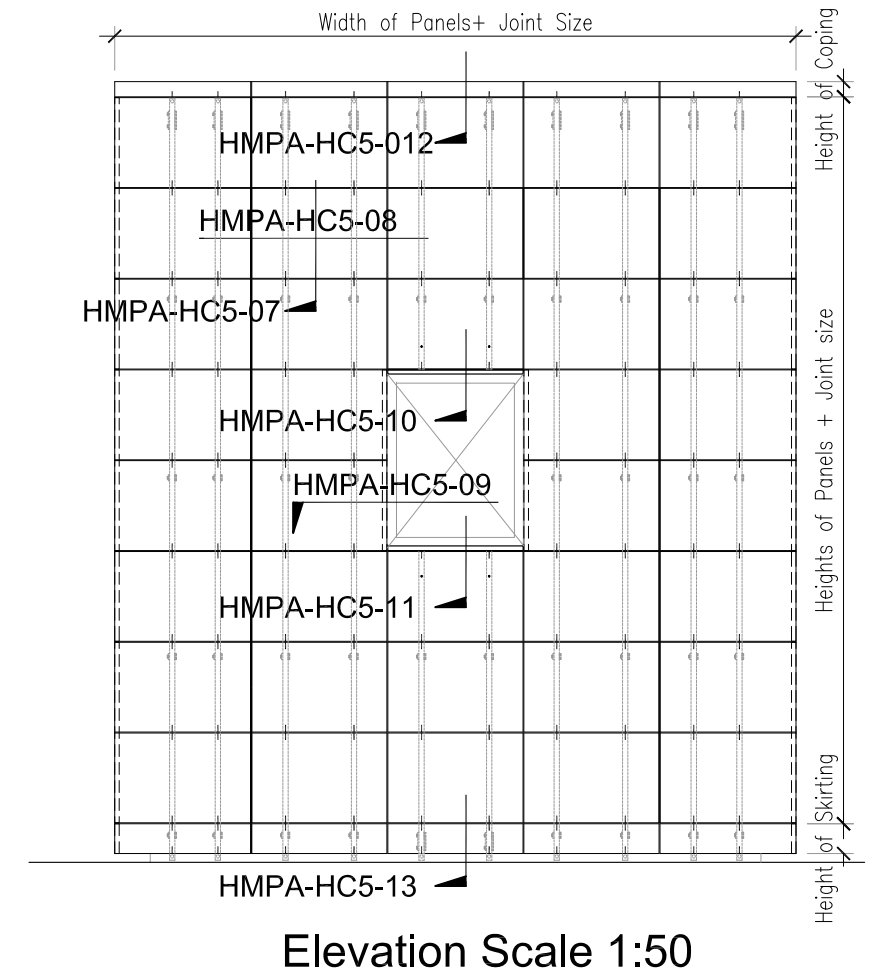
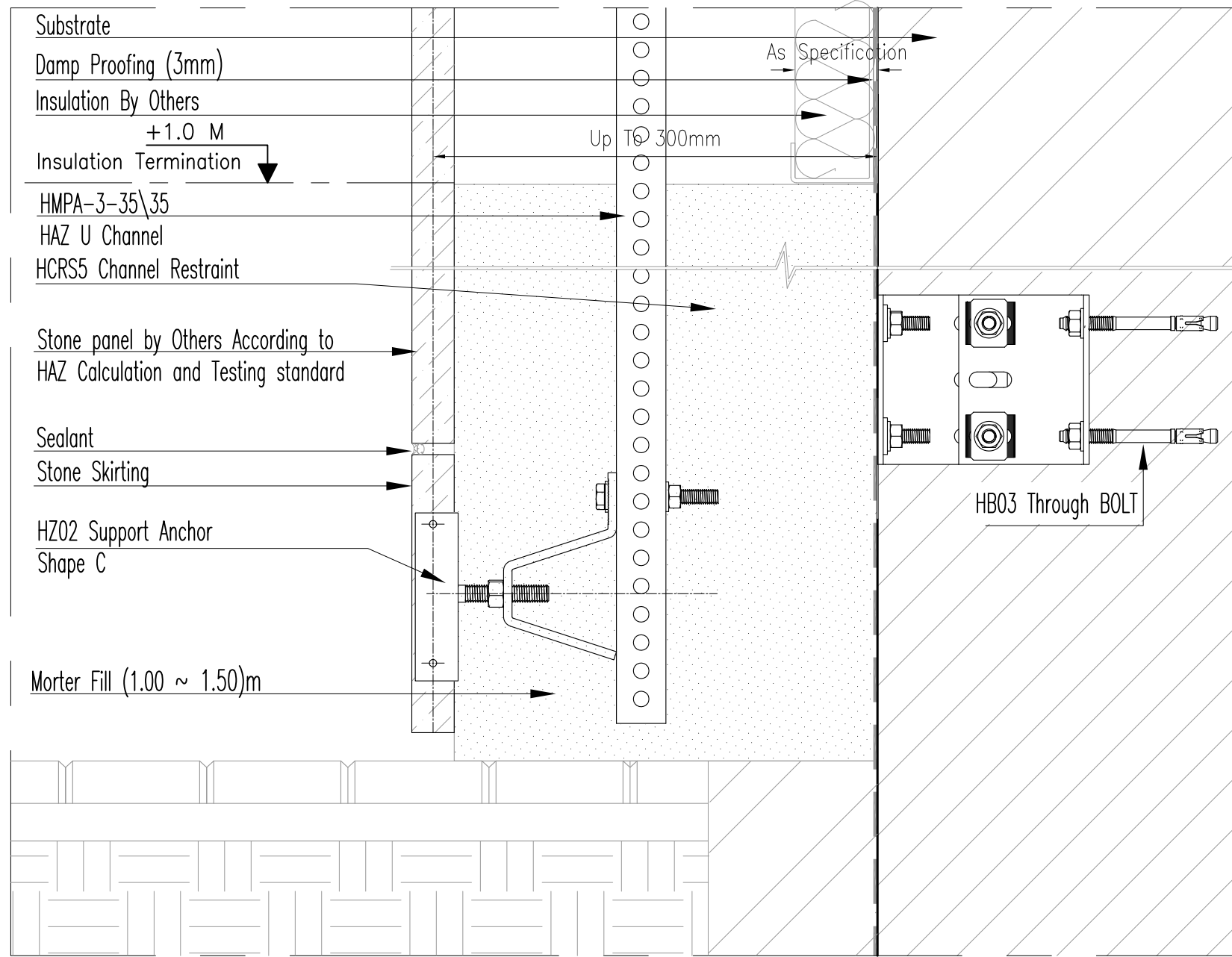


Title :		Horizontal Joint Installation - HMPA-HC5 System - Stone Coping - Vertical Section			
Drawing No.		HAZCD-HMPA-HC5-ST-12			
Series		Concept Drawings - Natural Stone Fixing System - HMP Sub Channel System			
Revision	01	Scale	As Shown	Paper Size: A3	Page : 12/20

HAZ METAL Sanayi ve Ticaret A.S
 PO Box 241 31200 Iskenderun / Turkey
 Tel: +90 326 6262050 Faks: 6262045
 info@hazmetal.com / www.hazmetal.com.

HMPA-HC5

SUB CHANNEL SYSTEM



Vertical section Scale 1:4

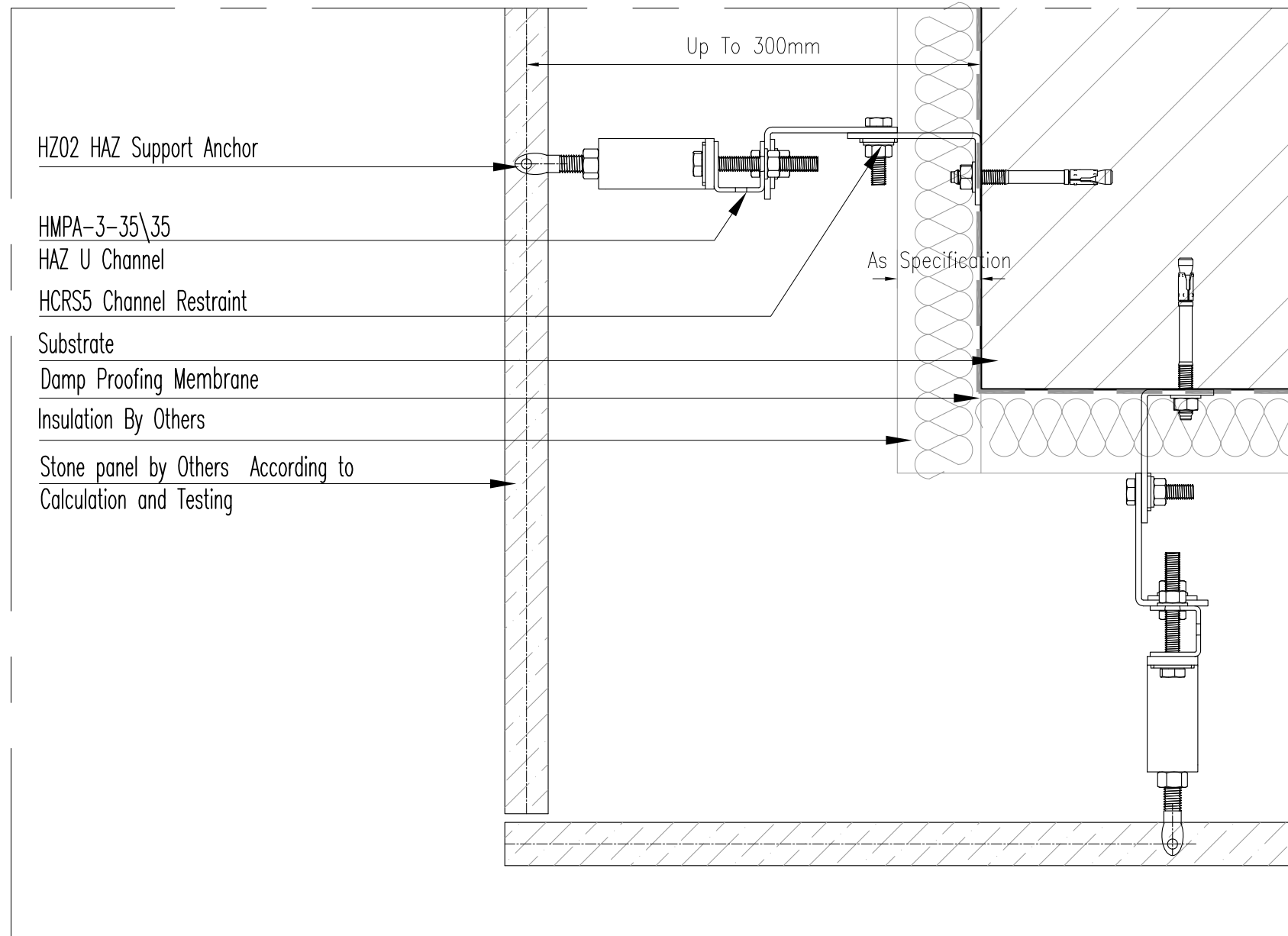


Title :		Horizontal Joint Installation - HMPA-HC5 System - Stone Skirting - Vertical Section			
Drawing No.		HAZCD-HMPA-HC5-ST-13			
Series		Concept Drawings - Natural Stone Fixing System - HMP Sub Channel System			
Revision	01	Scale	As Shown	Paper Size: A3	Page : 13/20

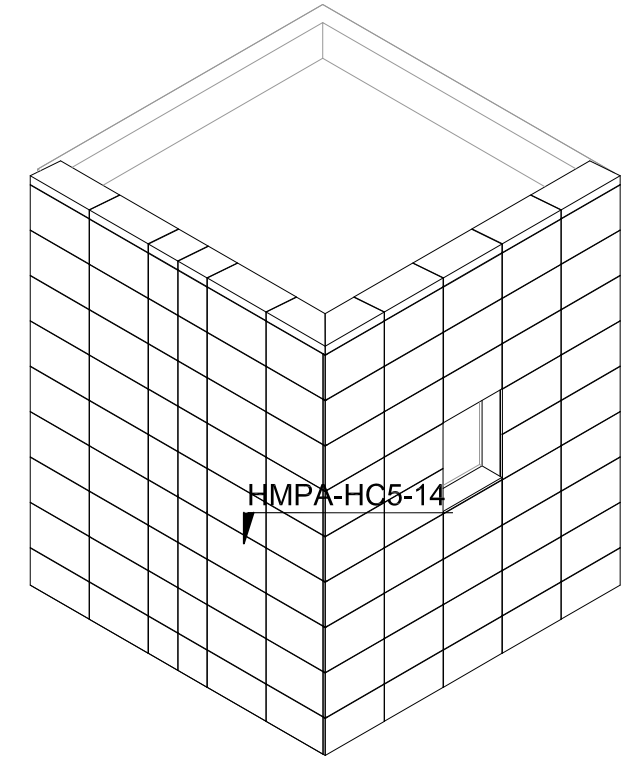
HAZ METAL Sanayi ve Ticaret A.S
 PO Box 241 31200 Iskenderun / Turkey
 Tel: +90 326 6262050 Faks: 6262045
 info@hazmetal.com / www.hazmetal.com.

HMPA-HC5

SUB CHANNEL SYSTEM



Horizontal section Scale 1:4



Isometric Scale 1:100

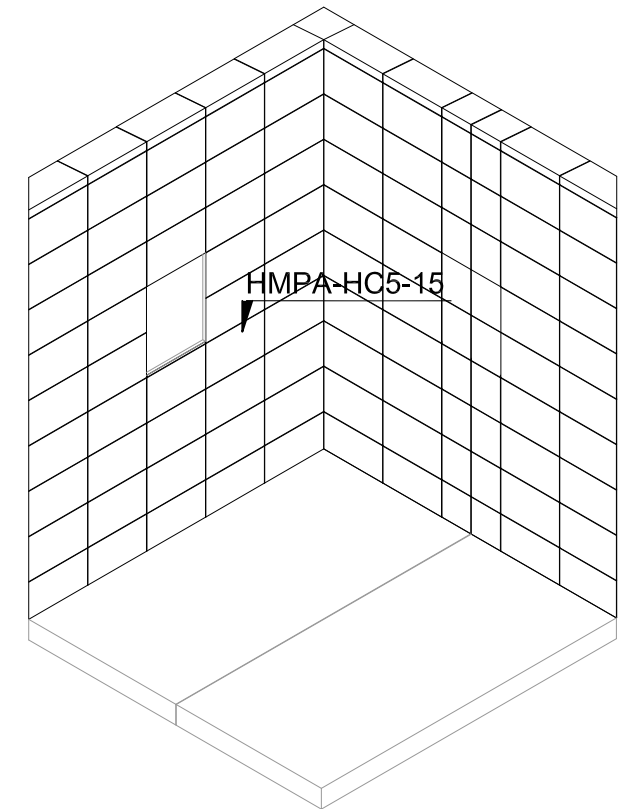
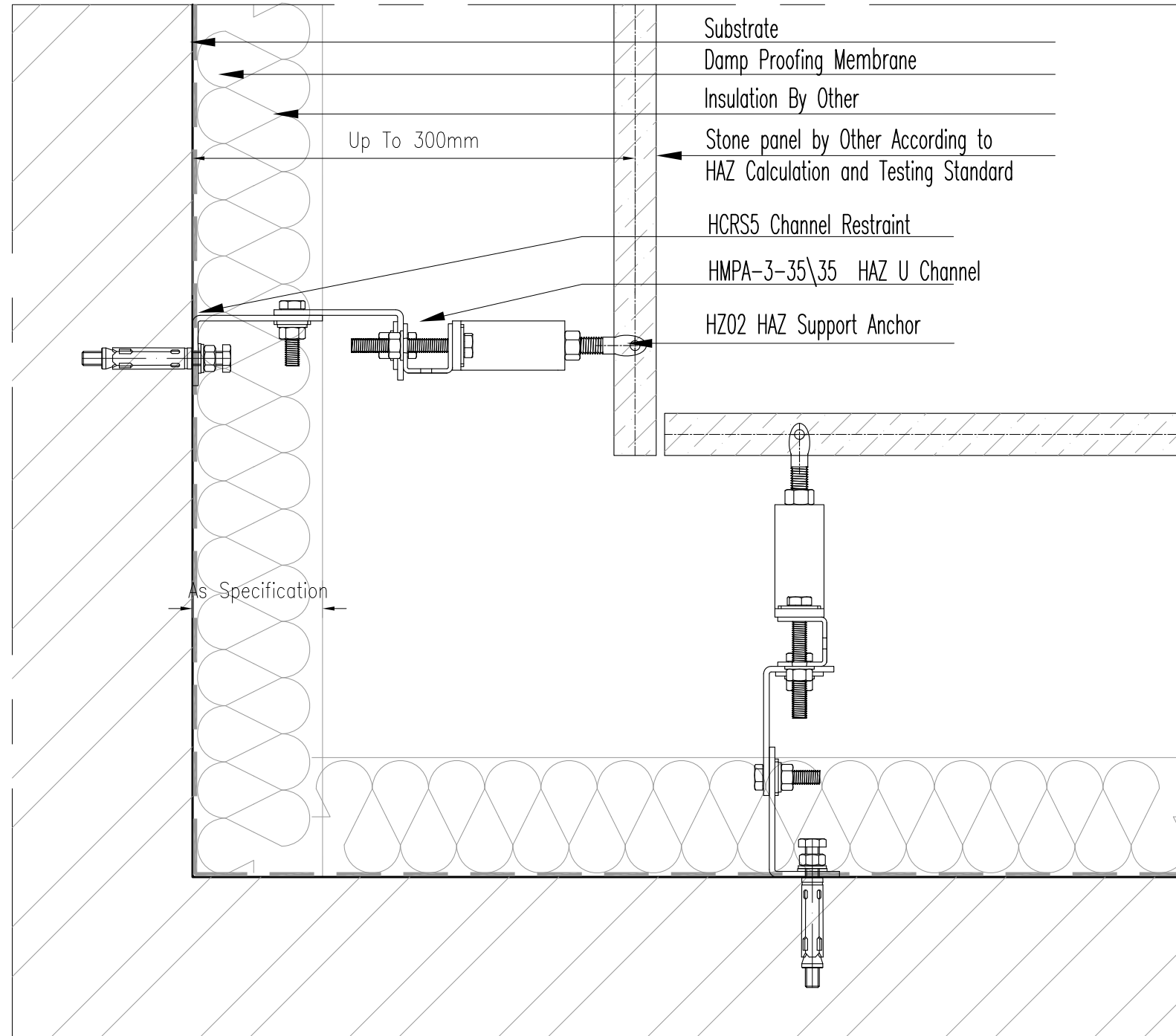


Title : Horizontal Joint Installation - HMPA-HC5 System - External Corner Stone Cladding - Horizontal Section						
Drawing No.		HAZCD-HMPA-HC5-ST-14				
Series		Concept Drawings - Natural Stone Fixing System - HMP Sub Channel System				
Revision	01	Scale	As Shown	Paper Size:	A3	Page : 14/20

HAZ METAL Sanayi ve Ticaret A.S
 PO Box 241 31200 Iskenderun / Turkey
 Tel: +90 326 6262050 Faks: 6262045
 info@hazmetal.com / www.hazmetal.com.

HMPA-HC5

SUB CHANNEL SYSTEM



Isometric Scale 1:100

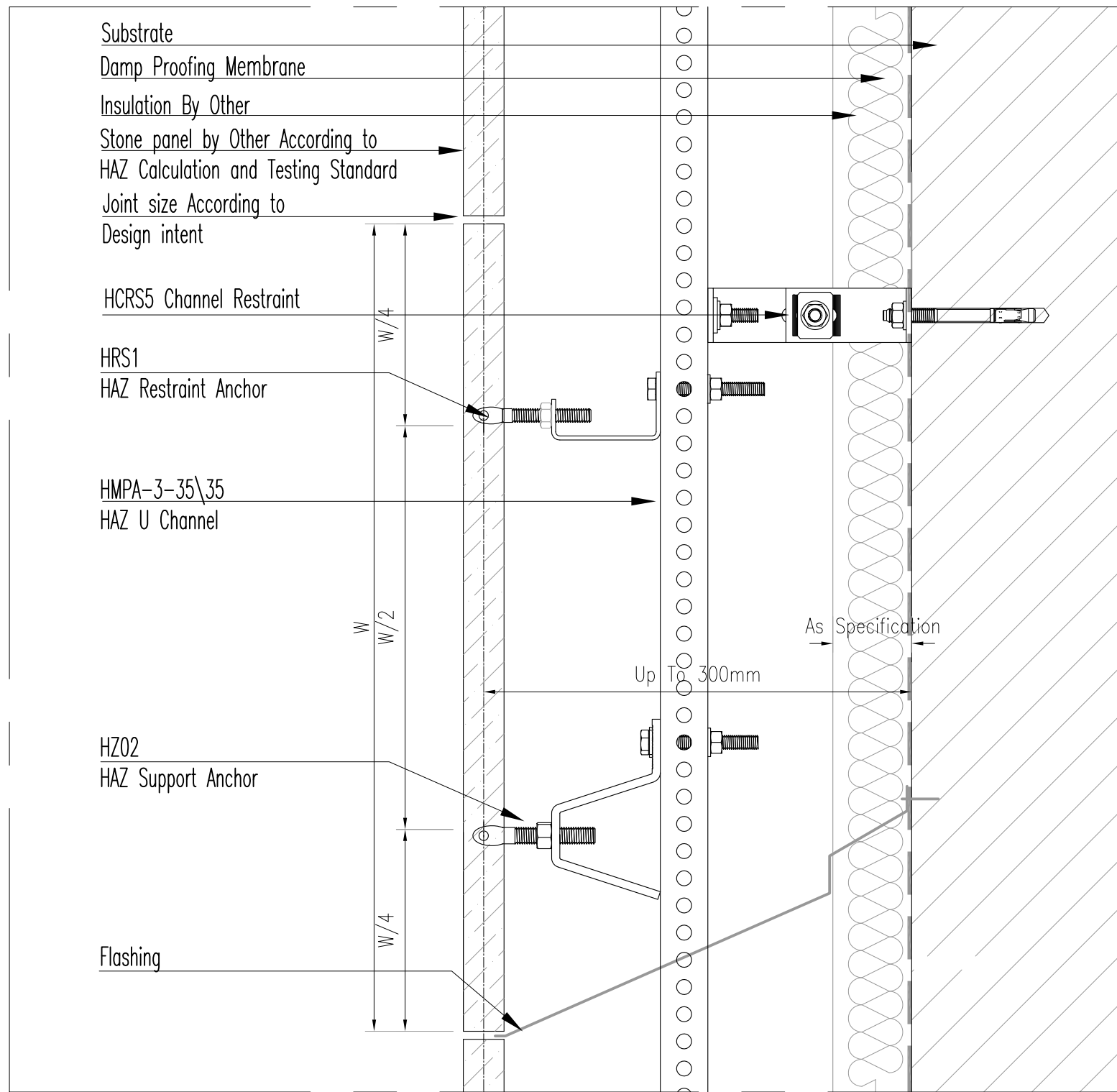
Horizontal section Scale 1:4



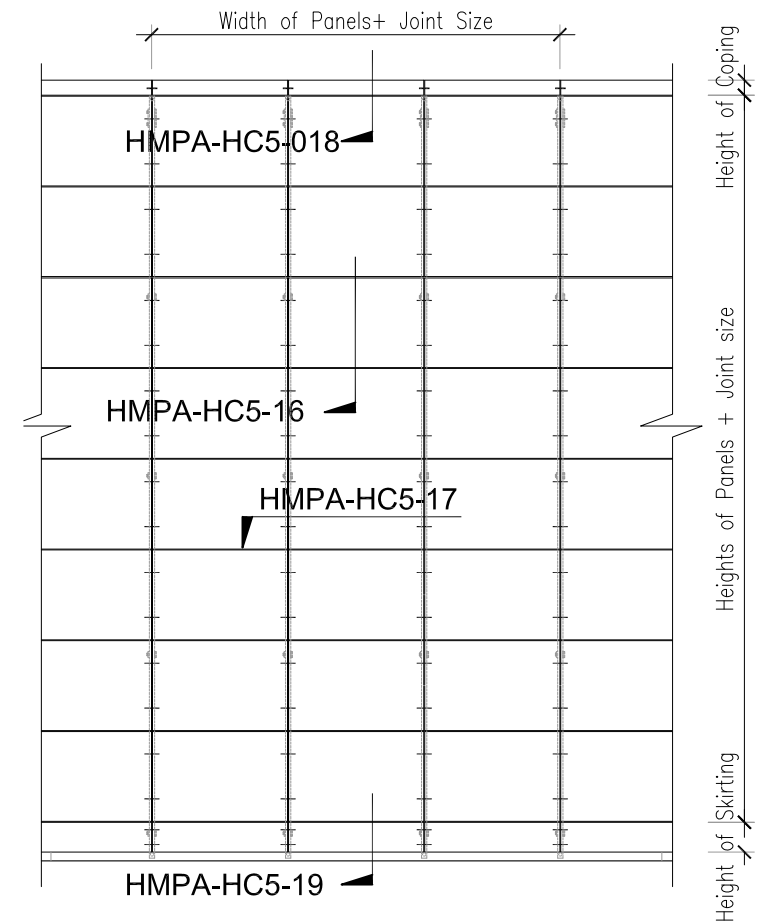
Title : Horizontal Joint Installation - HMPA-HC5 System - Internal Corner Stone Cladding - Horizontal Section						
Drawing No.		HAZCD-HMPA-HC5-ST-15				
Series		Concept Drawings - Natural Stone Fixing System - HMP Sub Channel System				
Revision		01	Scale	As Shown	Paper Size: A3	Page : 15/20

HAZ METAL Sanayi ve Ticaret A.S
 PO Box 241 31200 Iskenderun / Turkey
 Tel: +90 326 6262050 Faks: 6262045
 info@hazmetal.com / www.hazmetal.com.

HMPA-HC5 SUB CHANNEL SYSTEM



Vertical section Scale 1:4



Elevation Scale 1:50

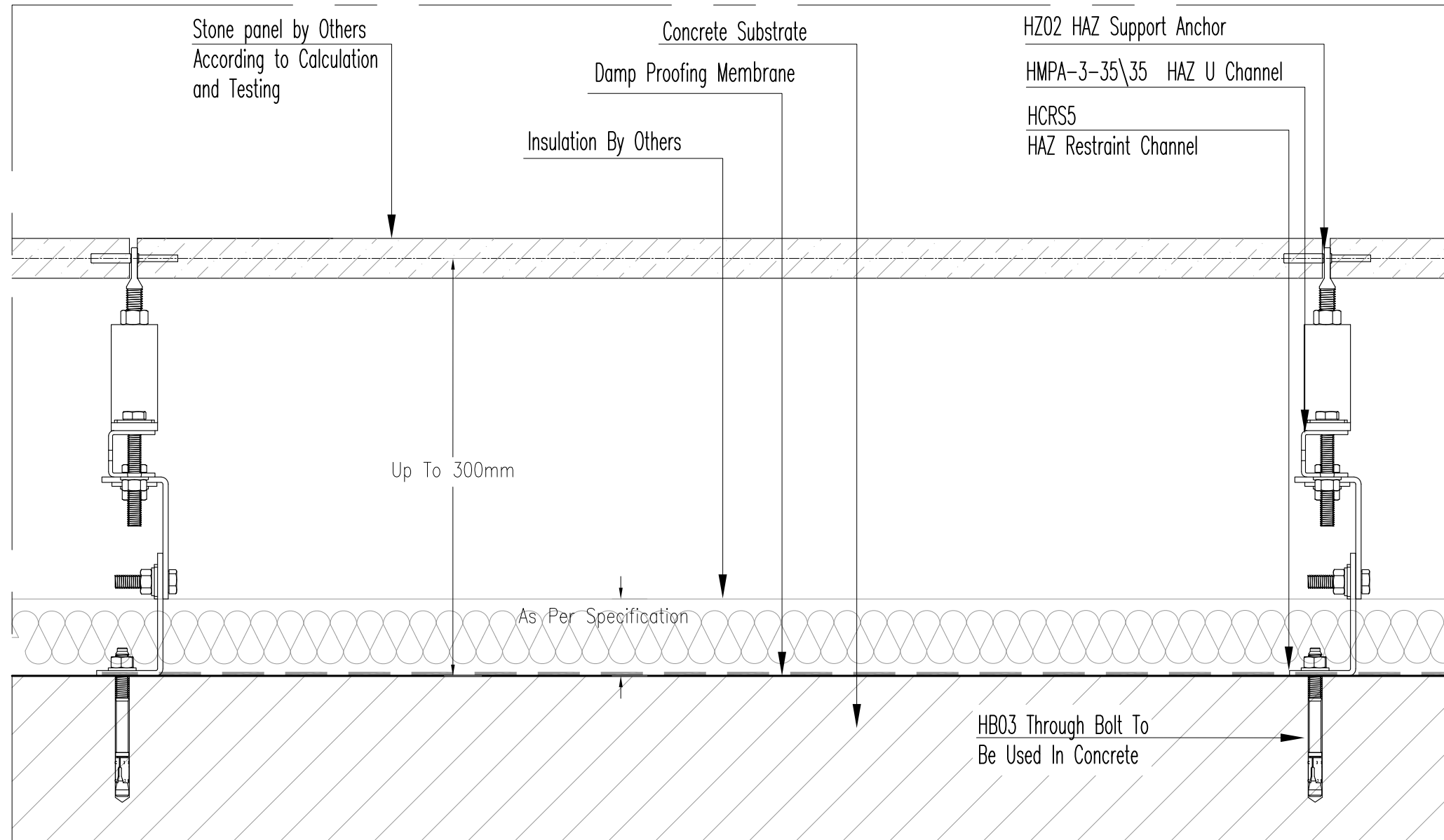


Title :		Vertical Joint Installation -HMPA-HC5 System - Typical Stone Claddings - Vertical Section			
Drawing No.		HAZCD-HMPA-HC5-ST-16			
Series		Concept Drawings - Natural Stone Fixing System - HMP Sub Channel System			
Revision	01	Scale	As Shown	Paper Size: A3	Page : 16/20

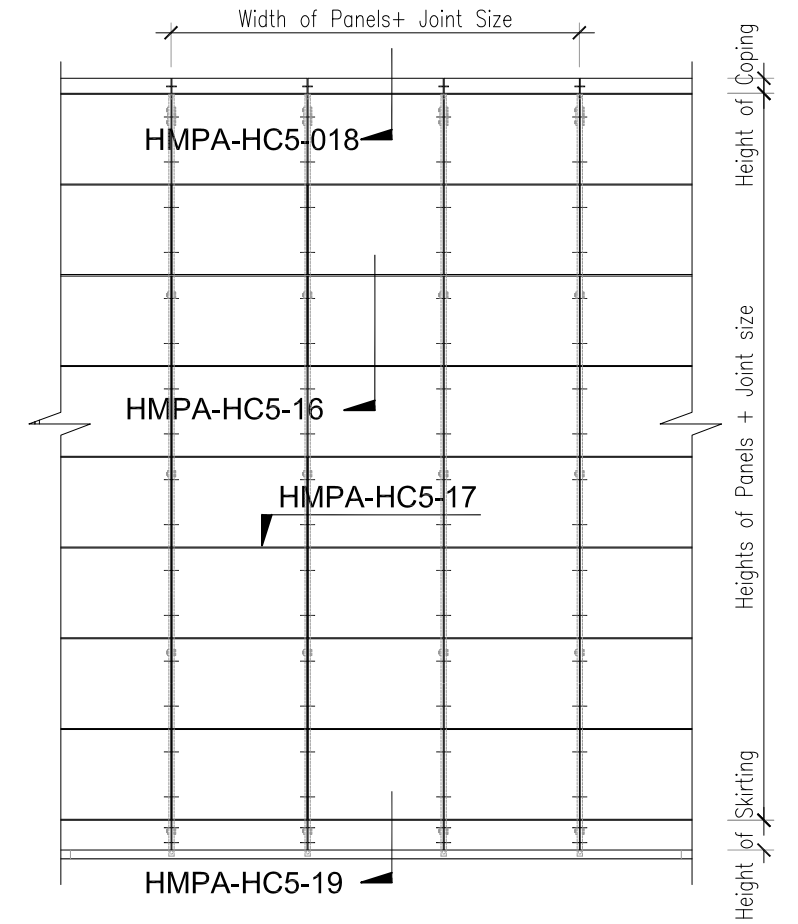
HAZ METAL Sanayi ve Ticaret A.S
PO Box 241 31200 Iskenderun / Turkey
Tel: +90 326 6262050 Faks: 6262045
info@hazmetal.com / www.hazmetal.com.

HMPA-HC5

SUB CHANNEL SYSTEM



Horizontal section Scale 1:4



Elevation Scale 1:50

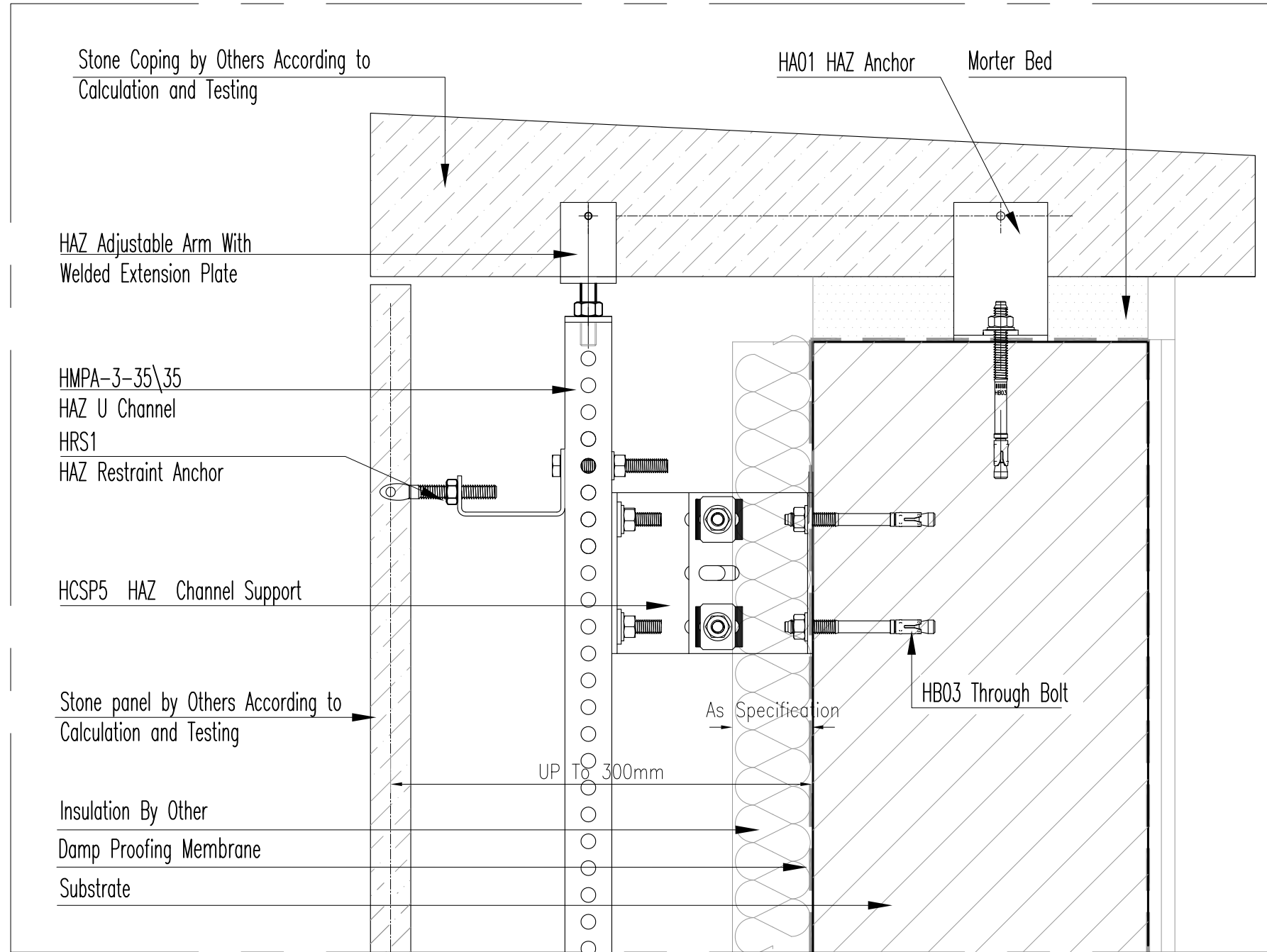


Title :		Vertical Joint Installation - HMPA-HC5 System - Typical Stone Claddings - Horizontal Section			
Drawing No.		HAZCD-HMPA-HC5-ST-17			
Series		Concept Drawings - Natural Stone Fixing System - HMP Sub Channel System			
Revision		01	Scale	As Shown	Paper Size: A3
					Page : 17/20

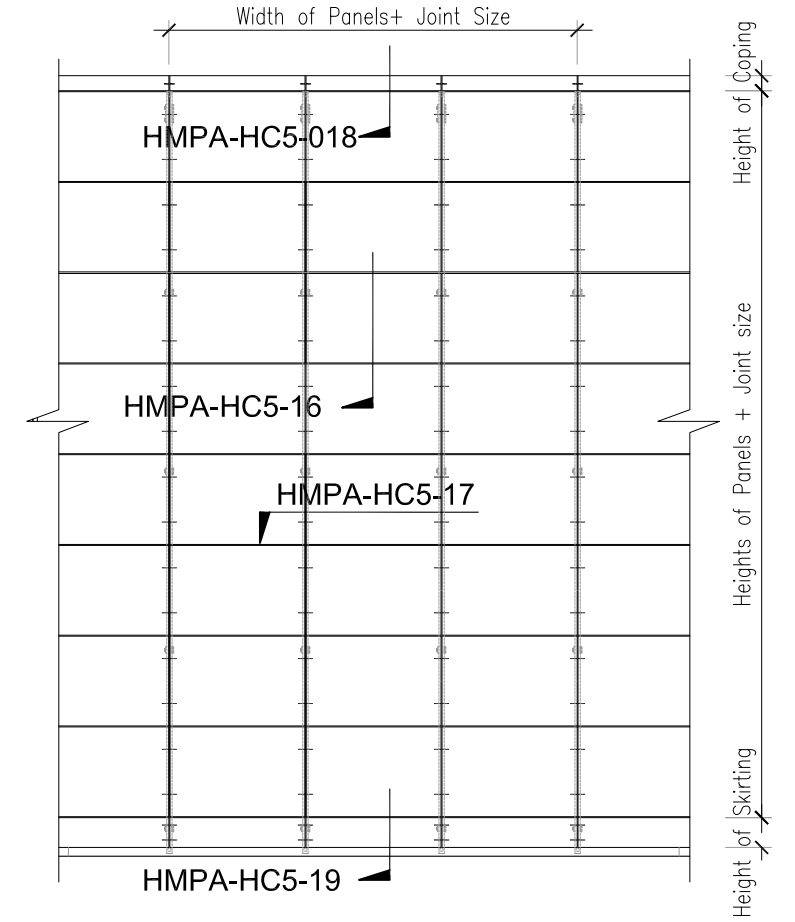
HAZ METAL Sanayi ve Ticaret A.S
PO Box 241 31200 Iskenderun / Turkey
Tel: +90 326 6262050 Faks: 6262045
info@hazmetal.com / www.hazmetal.com.

HMPA-HC5

SUB CHANNEL SYSTEM



Vertical section Scale 1:4



Elevation Scale 1:50

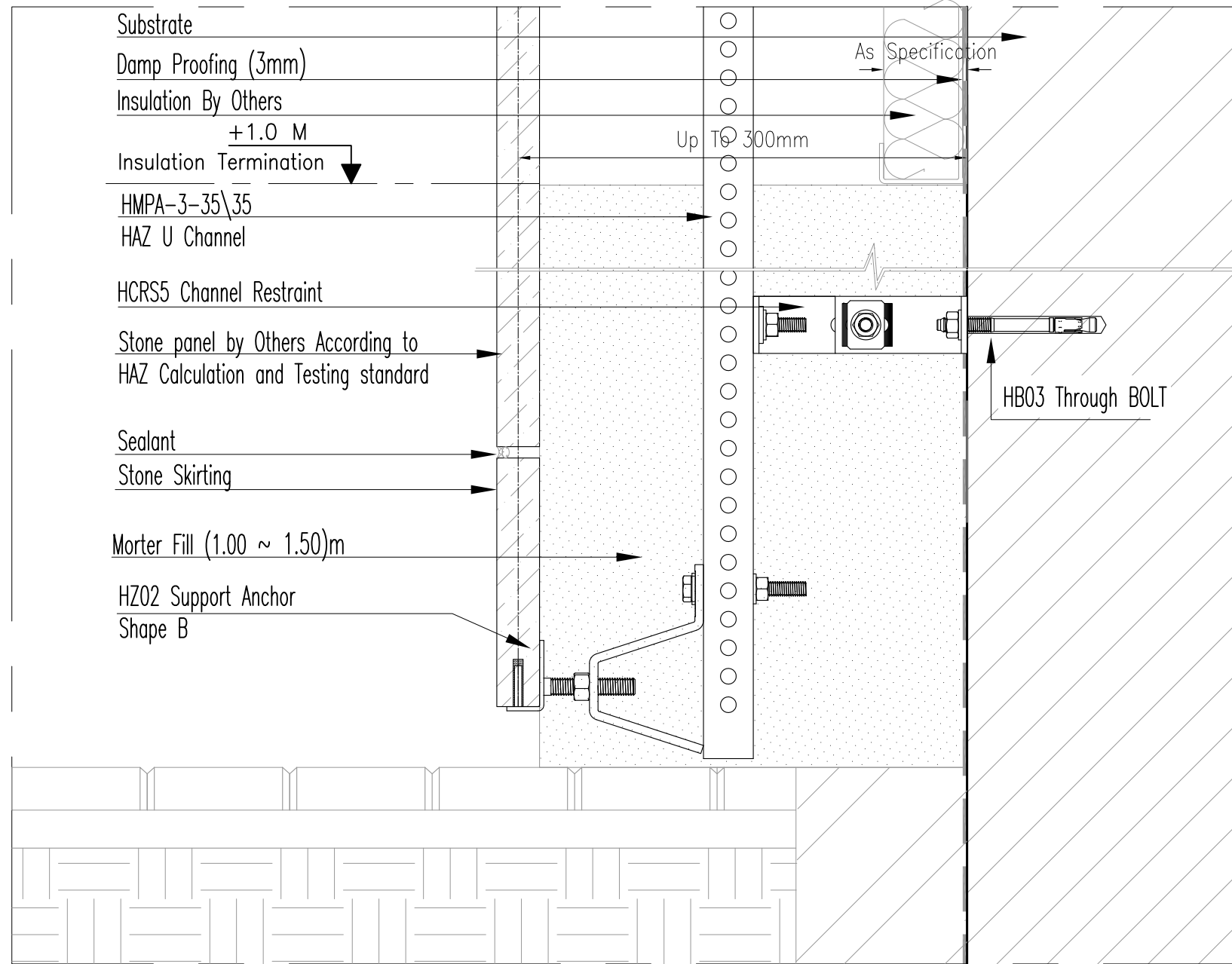


HAZ METAL Sanayi ve Ticaret A.S
 PO Box 241 31200 Iskenderun / Turkey
 Tel: +90 326 6262050 Faks: 6262045
 info@hazmetal.com / www.hazmetal.com.

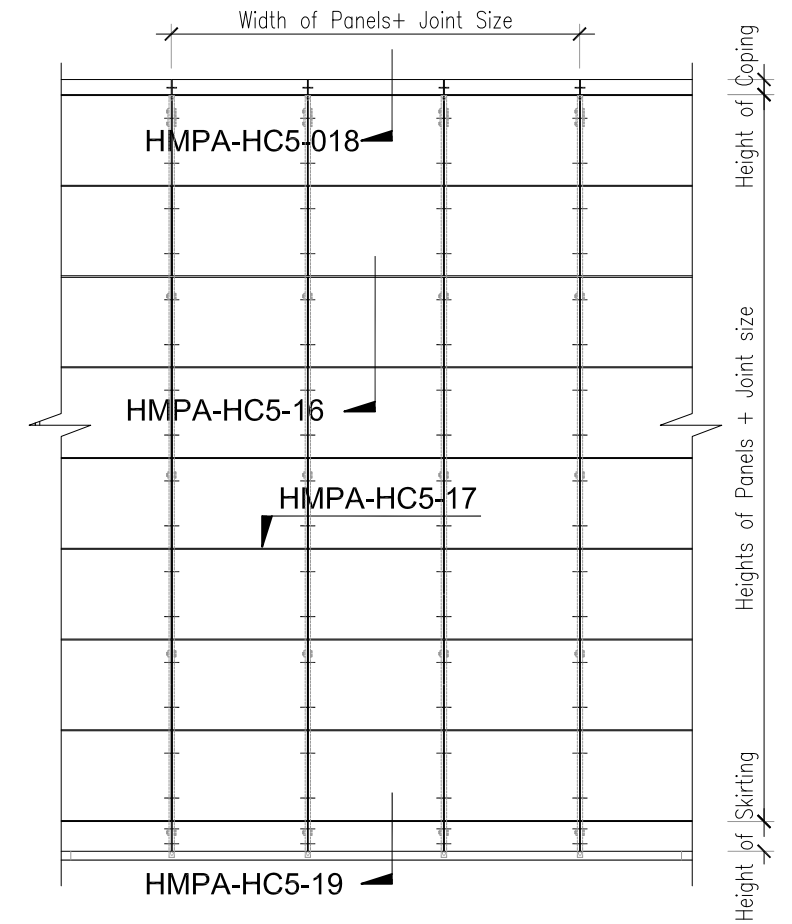
Title :		Vertical Joint Installation -HMPA-HC5 System - Stone Coping - Vertical Section			
Drawing No.		HAZCD-HMPA-HC5-ST-18			
Series		Concept Drawings - Natural Stone Fixing System - HMP Sub Channel System			
Revision		01	Scale	As Shown	Paper Size: A3
					Page : 18/20

HMPA-HC5

SUB CHANNEL SYSTEM



Vertical section Scale 1:4



Elevation Scale 1:50

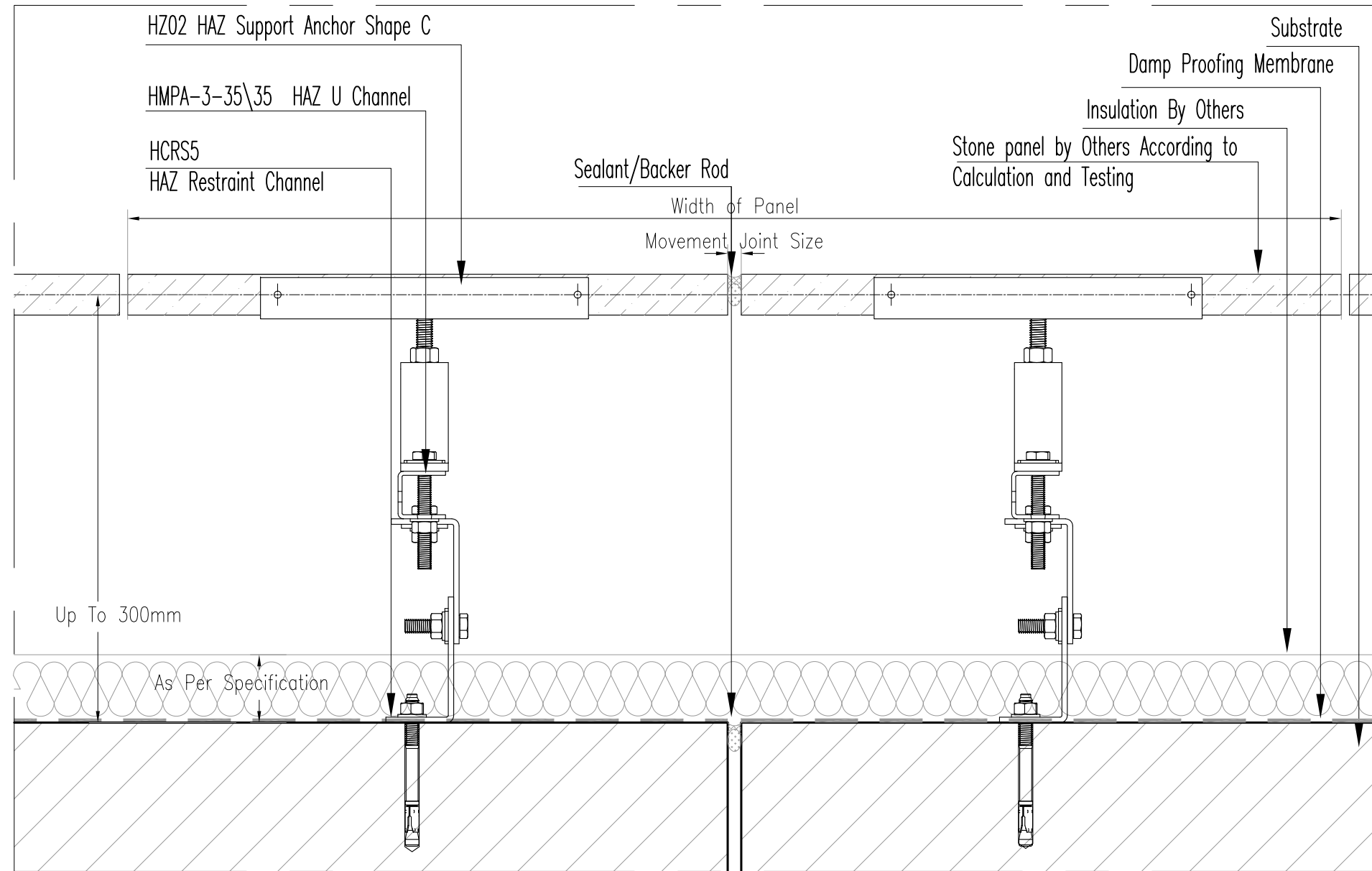


Title :		Vertical Joint Installation -HMPA-HC5 System - Stone Skirting - Vertical Section			
Drawing No.		HAZCD-HMPA-HC5-ST-19			
Series		Concept Drawings - Natural Stone Fixing System - HMP Sub Channel System			
Revision		01	Scale	As Shown	Paper Size: A3
					Page : 19/20

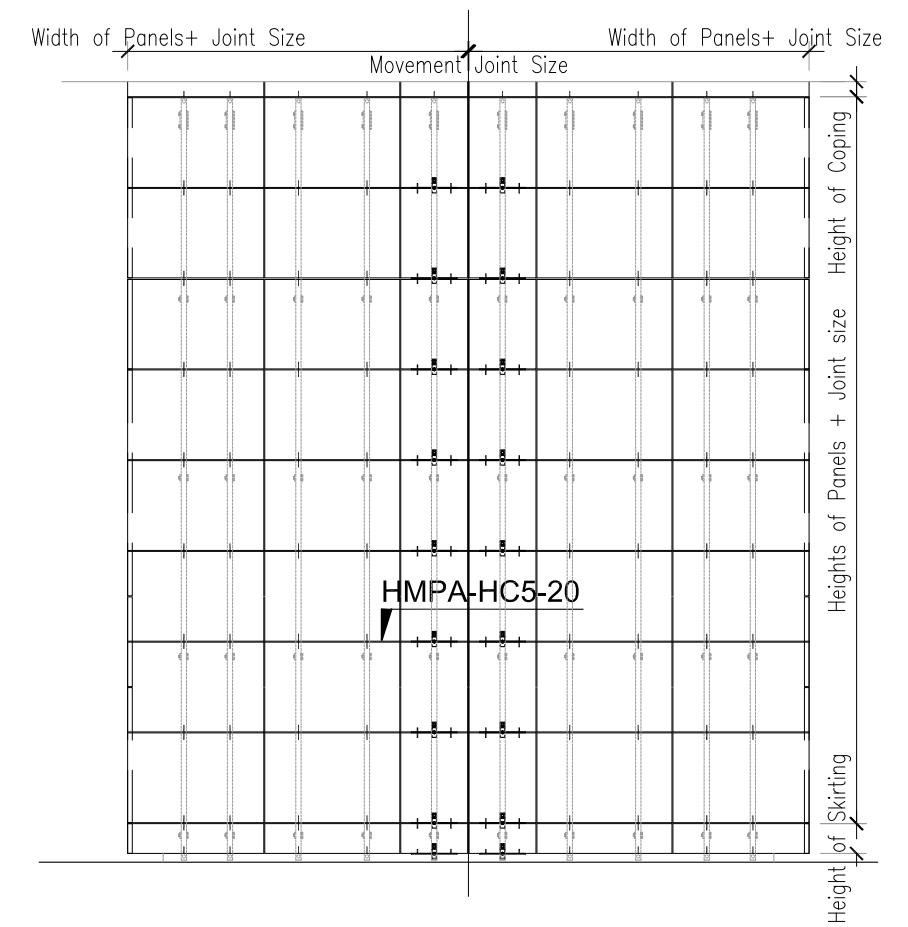
HAZ METAL Sanayi ve Ticaret A.S
 PO Box 241 31200 Iskenderun / Turkey
 Tel: +90 326 6262050 Faks: 6262045
 info@hazmetal.com / www.hazmetal.com.

HMPA-HC5

SUB CHANNEL SYSTEM



Horizontal section Scale 1:4



Variation on Typical Elevation
Scale 1:50



Title : Horizontal Joint Installation -HMPA-HC5 System - Typical Stone Claddings - Movement Joint - Horizontal Section					
Drawing No.		HAZCD-HMPA-HC5-ST-20			
Series		Concept Drawings - Natural Stone Fixing System - HMP Sub Channel System			
Revision		01	Scale	As Shown	Paper Size: A3
					Page : 20/20

HAZ METAL Sanayi ve Ticaret A.S
PO Box 241 31200 Iskenderun / Turkey
Tel: +90 326 6262050 Faks: 6262045
info@hazmetal.com / www.hazmetal.com.