

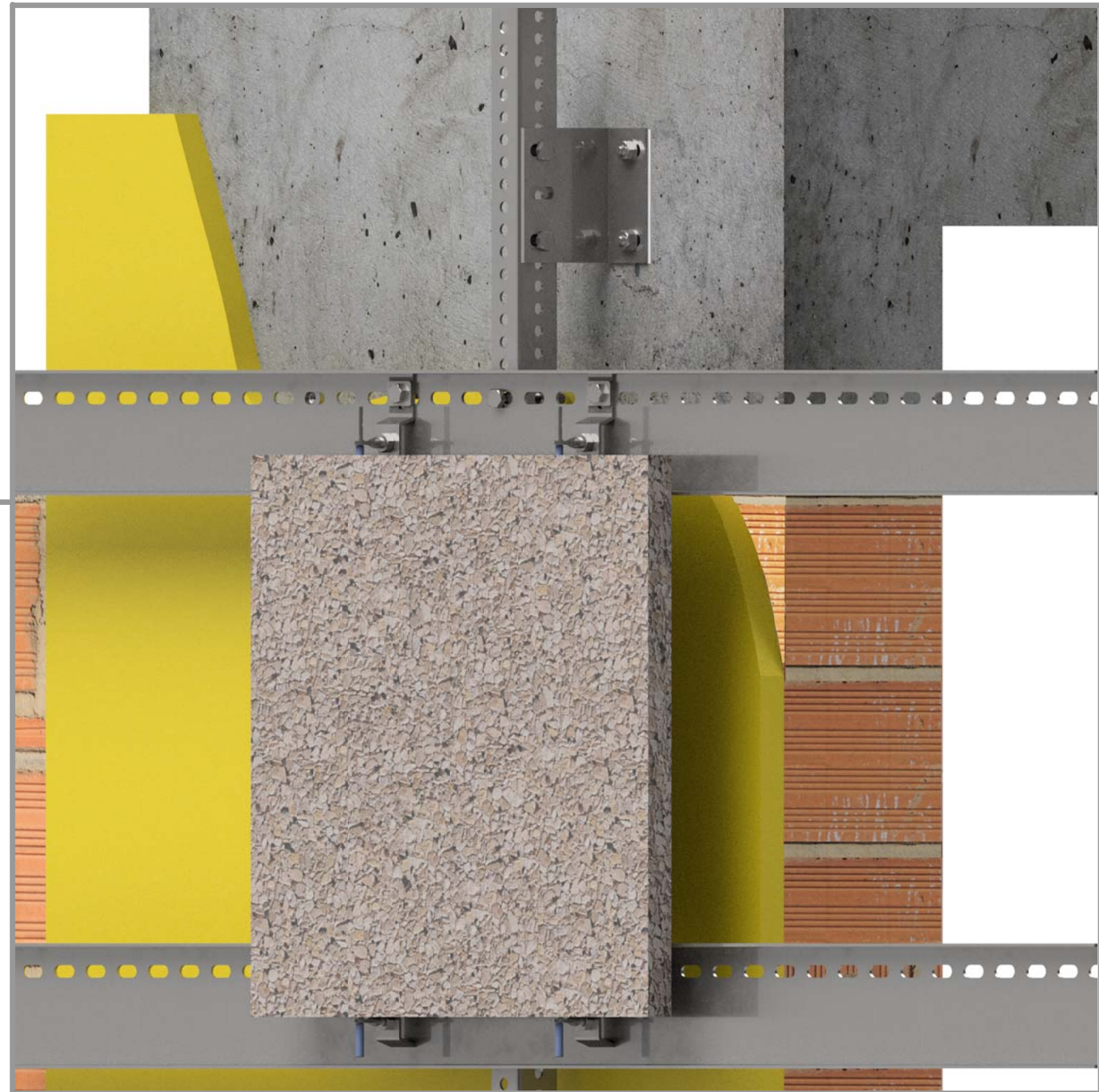
HAZ METAL
FIXING SYSTEMS

HMPA-HC3-H

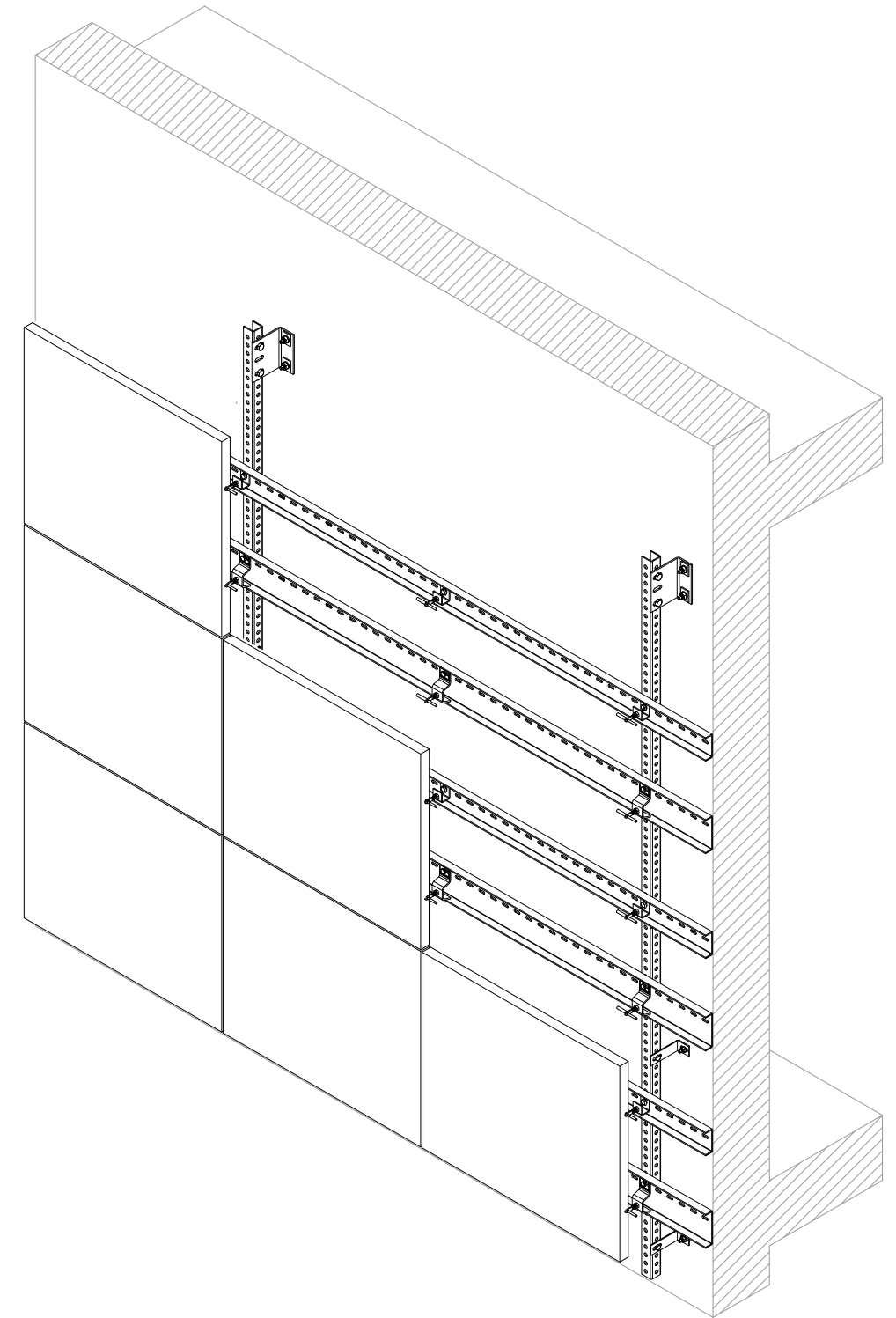
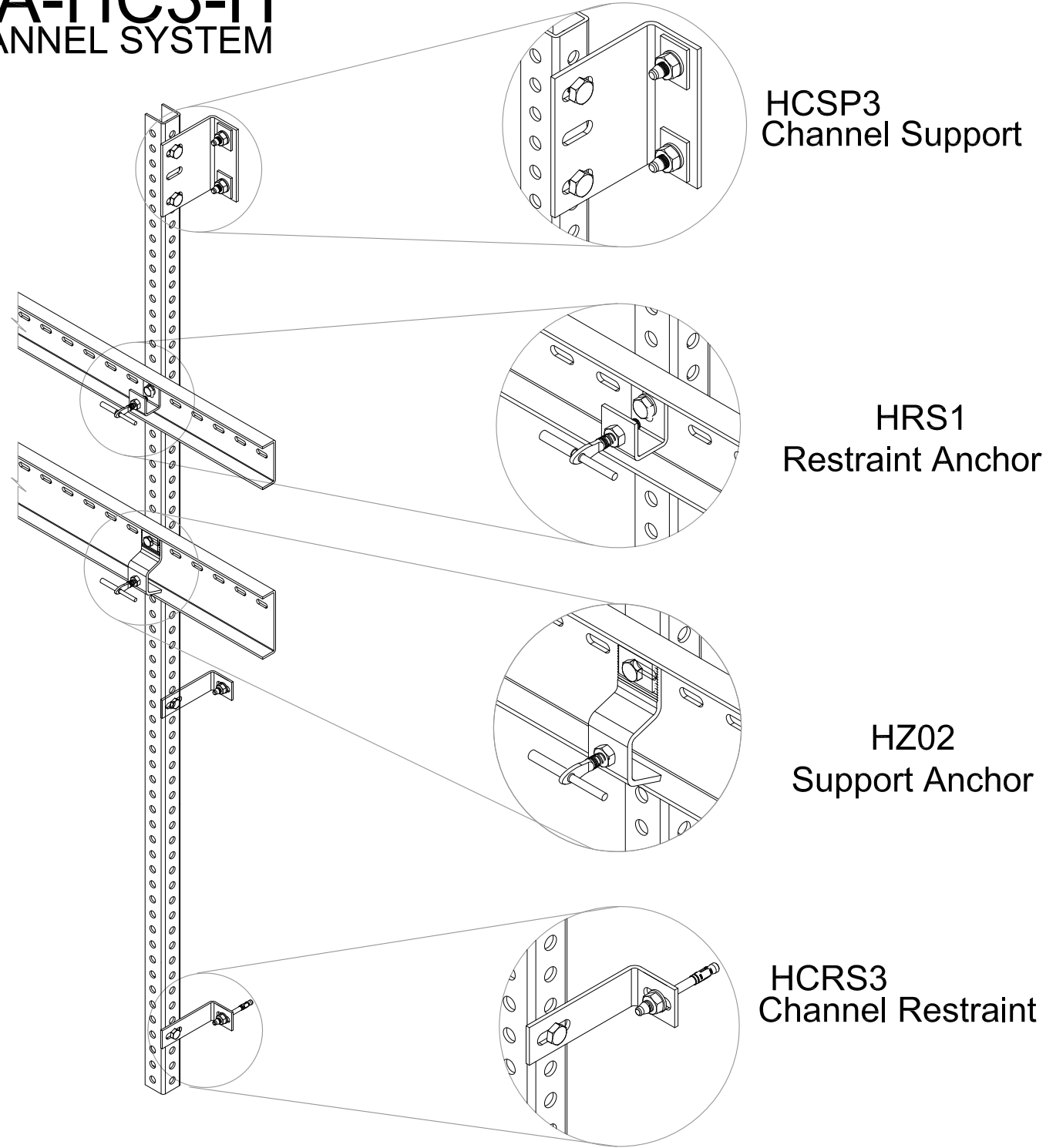
SUB CHANNEL SYSTEM
Concept Drawings

Series: HAZCD-HMPA-HC3-H-ST

Steel Support System For Rain Screen
Stone Cladding System for Installation at
Vertical and Horizontal Joints



HMPA-HC3-H SUB CHANNEL SYSTEM



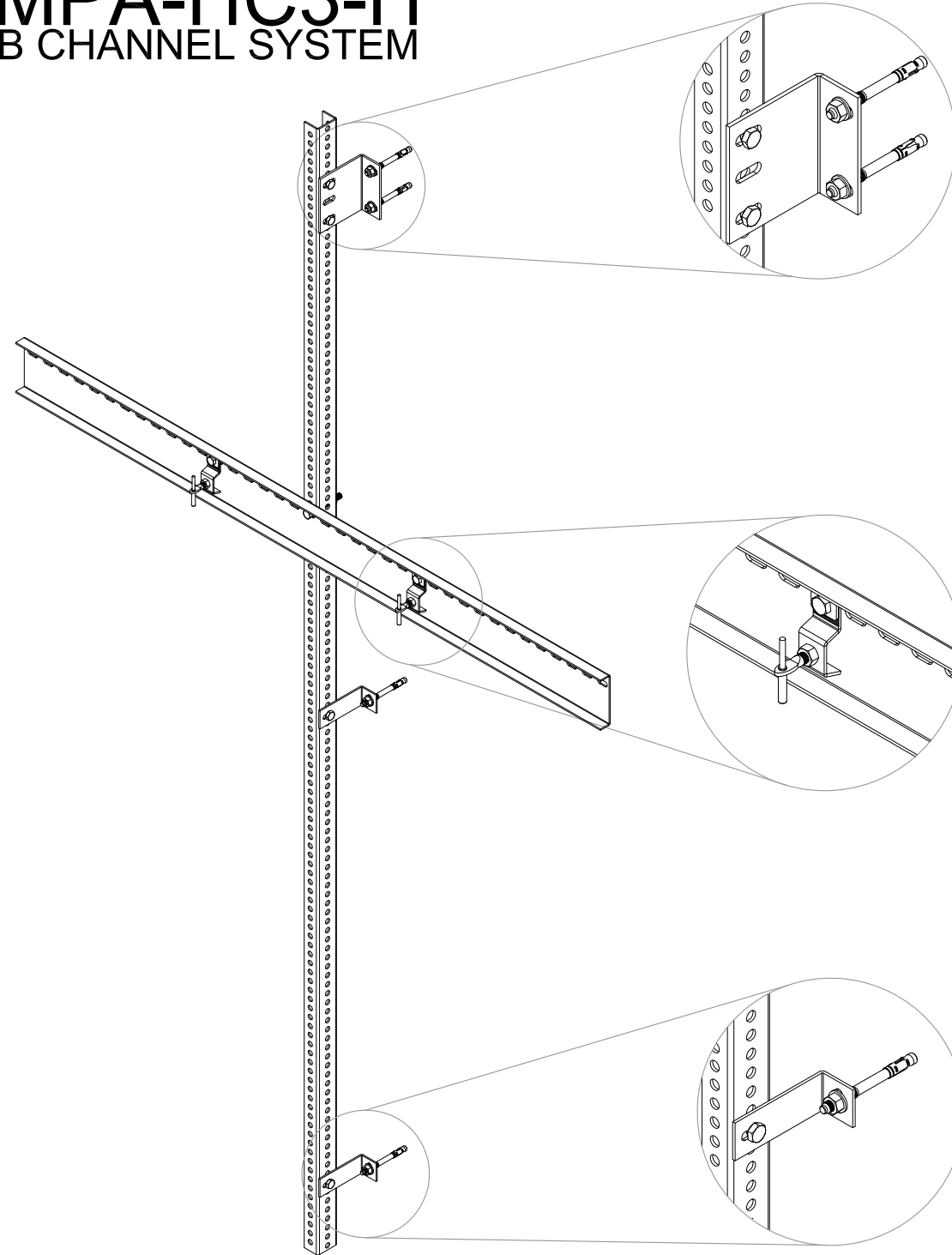
ISOMETRIC VIEW



HAZ METAL Sanayi ve Ticaret A.S
PO Box 241 31200 Iskenderun / Turkey
Tel: +90 326 6262050 Faks: 6262045
info@hazmetal.com / www.hazmetal.com.

Title : Natural Stone Facade - Built-up Cavity Wall - HMPA-HC3-H Vertical Joint installation -Isometric					
Drawing No.		HAZCD-HMPA-HC3-H-ST-01			
Series		Concept Drawings - Natural Stone Fixing System - HMP Sub Channel System			
Revision		01	Scale	As Shown	Paper Size: A3
					Page : 1/20

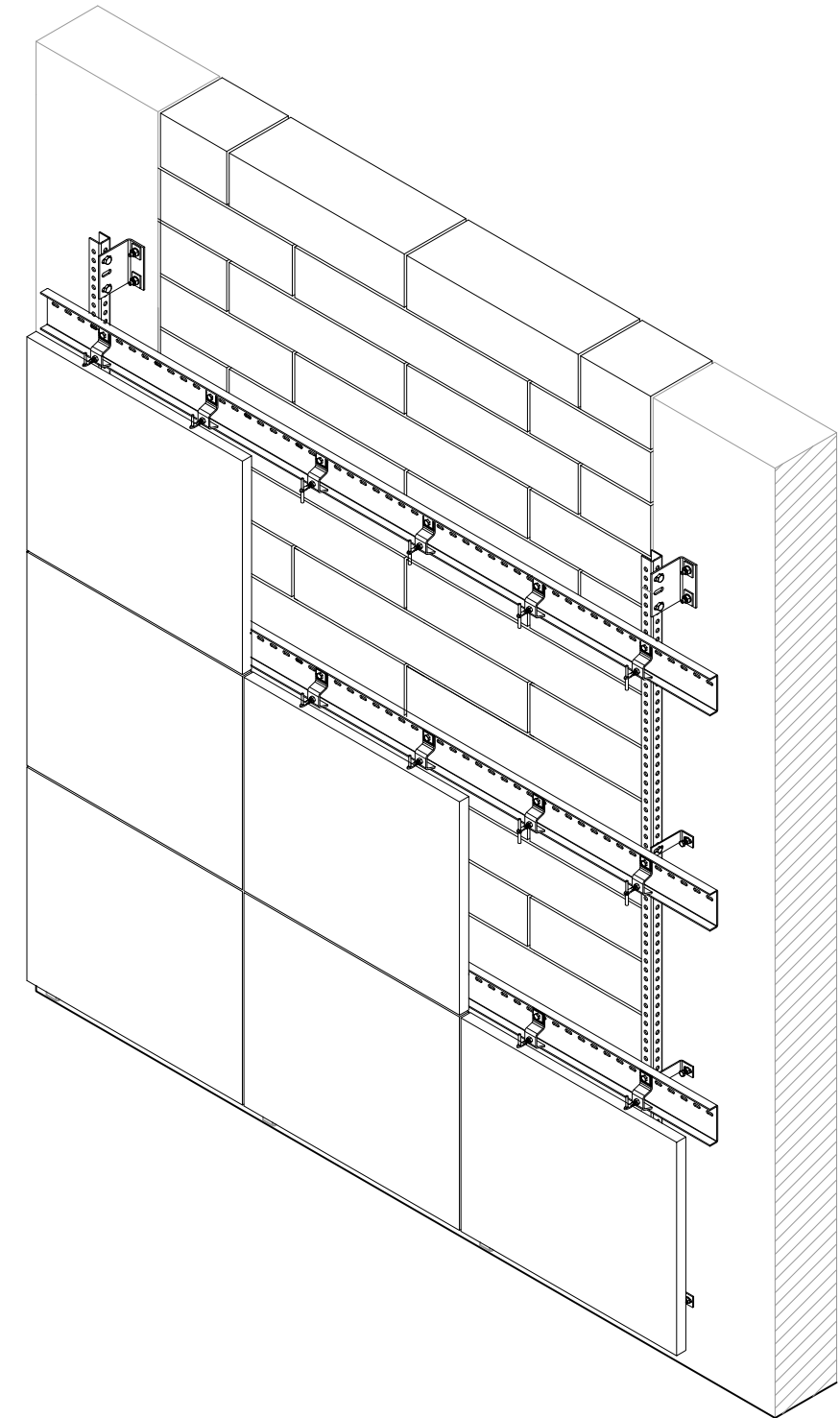
HMPA-HC3-H SUB CHANNEL SYSTEM



HCSP3
Channel Support

Support & Restraint
Anchor

HCRS3
Channel Restraint



ISOMETRIC VIEW

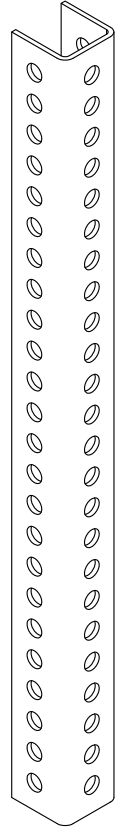


HAZ METAL Sanayi ve Ticaret A.S
PO Box 241 31200 Iskenderun / Turkey
Tel: +90 326 6262050 Faks: 6262045
info@hazmetal.com / www.hazmetal.com.

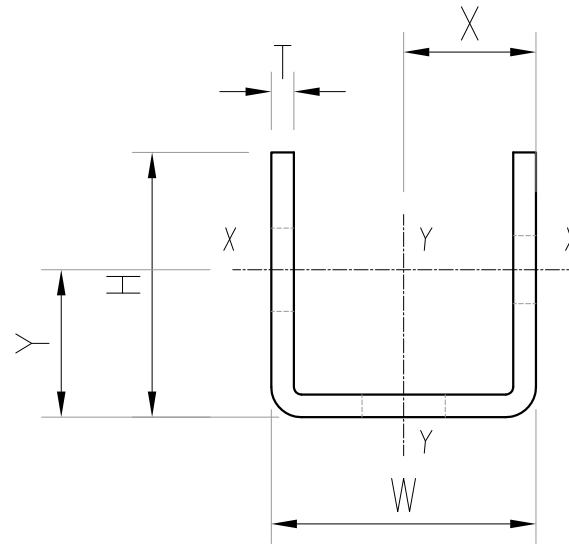
Title :	Natural Stone Facade - Built-up Cavity Wall - HMPA-HC3-H Horizontal joint installation - Isometric				
Drawing No.	HAZCD-HMPA-HC3-H-ST-02				
Series	Concept Drawings - Natural Stone Fixing System - HMP Sub Channel System				
Revision	01	Scale	As Shown	Paper Size: A3	Page : 2/20

HCSP3

Channel Support



ISOMETRIC VIEW



Horizontal Section

Product Code	Technical Details								
	Dimensions			X-X Axis			Y-Y Axis		
	Thickness T(mm)	Width W(mm)	Height H(mm)	IXX (cm4)	ZX (cm3)	X (mm)	IYY (cm4)	ZY (cm3)	Y (mm)
HMPA-2.5-40/30	2.50	40.00	30.00	1.57	0.74	20.00	4.21	2.11	8.80
HMPA-2.5-40/40	2.50	40.00	40.00	3.91	1.50	20.00	5.97	2.99	13.84
HMPA-3-35/35	3.00	35.00	35.00	2.83	1.24	17.00	4.27	2.44	12.14
HMPA-3-40/30	3.00	40.00	30.00	1.79	0.85	20.00	4.86	2.43	8.83
HMPA-3-40/40	3.00	40.00	40.00	4.55	1.74	20.00	6.92	3.46	13.93
HMPA-3-50/50	3.00	50.00	50.00	9.68	2.97	25.00	15.04	6.01	17.42
HMPA-4-40/40	4.00	40.00	40.00	5.67	2.19	20.00	8.60	4.30	14.10
HMPA-4-50/50	4.00	50.00	50.00	12.33	3.81	25.00	18.97	7.60	17.65
HMPA-5-50/50	5.00	50.00	50.00	14.68	4.57	25.00	22.40	8.97	17.87

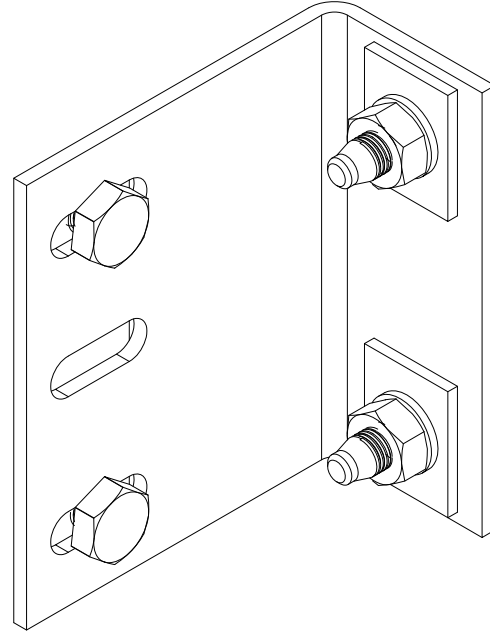


HAZ METAL Sanayi ve Ticaret A.S
 PO Box 241 31200 Iskenderun / Turkey
 Tel: +90 326 6262050 Faks: 6262045
 info@hazmetal.com / www.hazmetal.com.

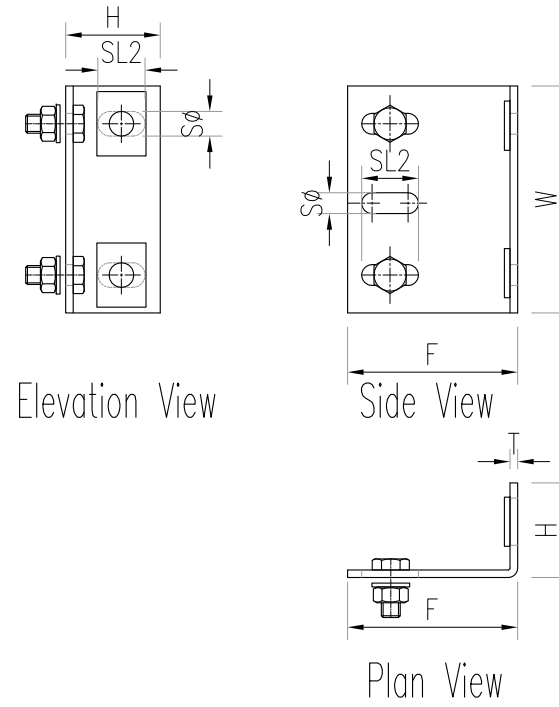
Title :		Natural Stone Facade - Built-up Cavity Wall - HMPA Specification								
Drawing No.		HAZCD-HMPA-HC3-H-ST-03								
Series		Concept Drawings - Natural Stone Fixing System - HMP Sub Channel System								
Revision		01	Scale		As Shown	Paper Size:		A3	Page :	3/20

HCSP3

Channel Support



ISOMETRIC VIEW



Product Code	Technical Details							
	Thickness T(mm)	Width W(mm)	Height H(mm)	Forming F (mm)	Slot Hole Dia. S Ø(mm)	Slot Hole length SL(mm)	Hole Dia. Ø(mm)	Slot Hole length SL2(mm)
HCSP3-70	3	120	50	70	11	25	11	30
HCSP3-90	3	120	50	90	11	25	11	30
HCSP3-110	4	120	50	110	11	25	11	30
HCSP3-130	4	120	50	130	11	25	11	30
HCSP3-150	5	120	50	150	11	25	11	30
HCSP3-170	5	120	50	170	11	25	11	30
HCSP3-190	5	120	50	190	11	25	11	30
HCSP3-210	5	120	60	210	11	25	11	30
HCSP3-230	5	120	60	230	11	25	11	30

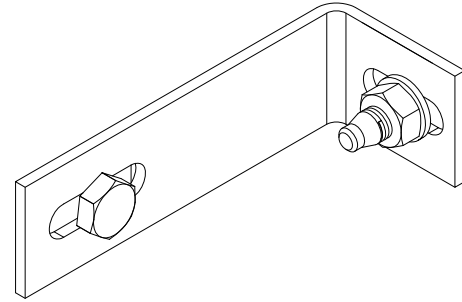


HAZ METAL Sanayi ve Ticaret A.S
 PO Box 241 31200 Iskenderun / Turkey
 Tel: +90 326 6262050 Faks: 6262045
 info@hazmetal.com / www.hazmetal.com.

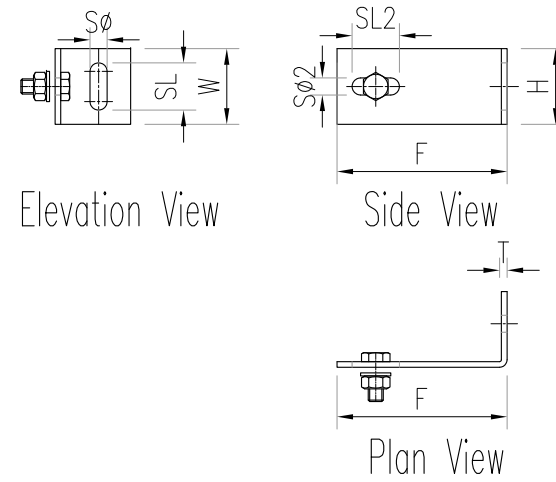
Title :		Natural Stone Facade - Built-up Cavity Wall - HMPA-HC3-H System - HCSP3 Specification						
Drawing No.		HAZCD-HMPA-HC3-H-ST-04						
Series		Concept Drawings - Natural Stone Fixing System - HMP Sub Channel System						
Revision	01	Scale	As Shown	Paper Size:	A3	Page :	4/20	

HCRS3

Channel Support



ISOMETRIC VIEW



Product Code	Technical Details							
	Thickness T(mm)	Width W(mm)	Height H(mm)	Forming F (mm)	Slot Hole Dia. S Ø(mm)	Slot Hole length SL(mm)	Hole Dia. Ø(mm)	Slot Hole length SL2(mm)
HCRS3-100	3	120	50	70	11	25	11	30
HCRS3-120	3	120	50	90	11	25	11	30
HCRS3-140	4	120	50	110	11	25	11	30
HCRS3-160	4	120	50	130	11	25	11	30
HCRS3-180	5	120	50	150	11	25	11	30
HCRS3-210	5	120	50	170	11	25	11	30
HCRS3-240	5	120	50	190	11	25	11	30
HCRS3-270	5	120	60	210	11	25	11	30
HCRS3-300	5	120	60	230	11	25	11	30

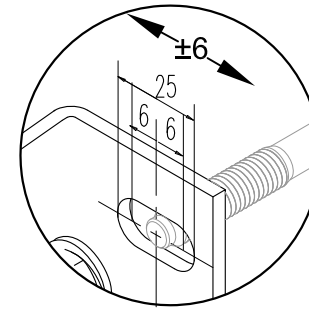
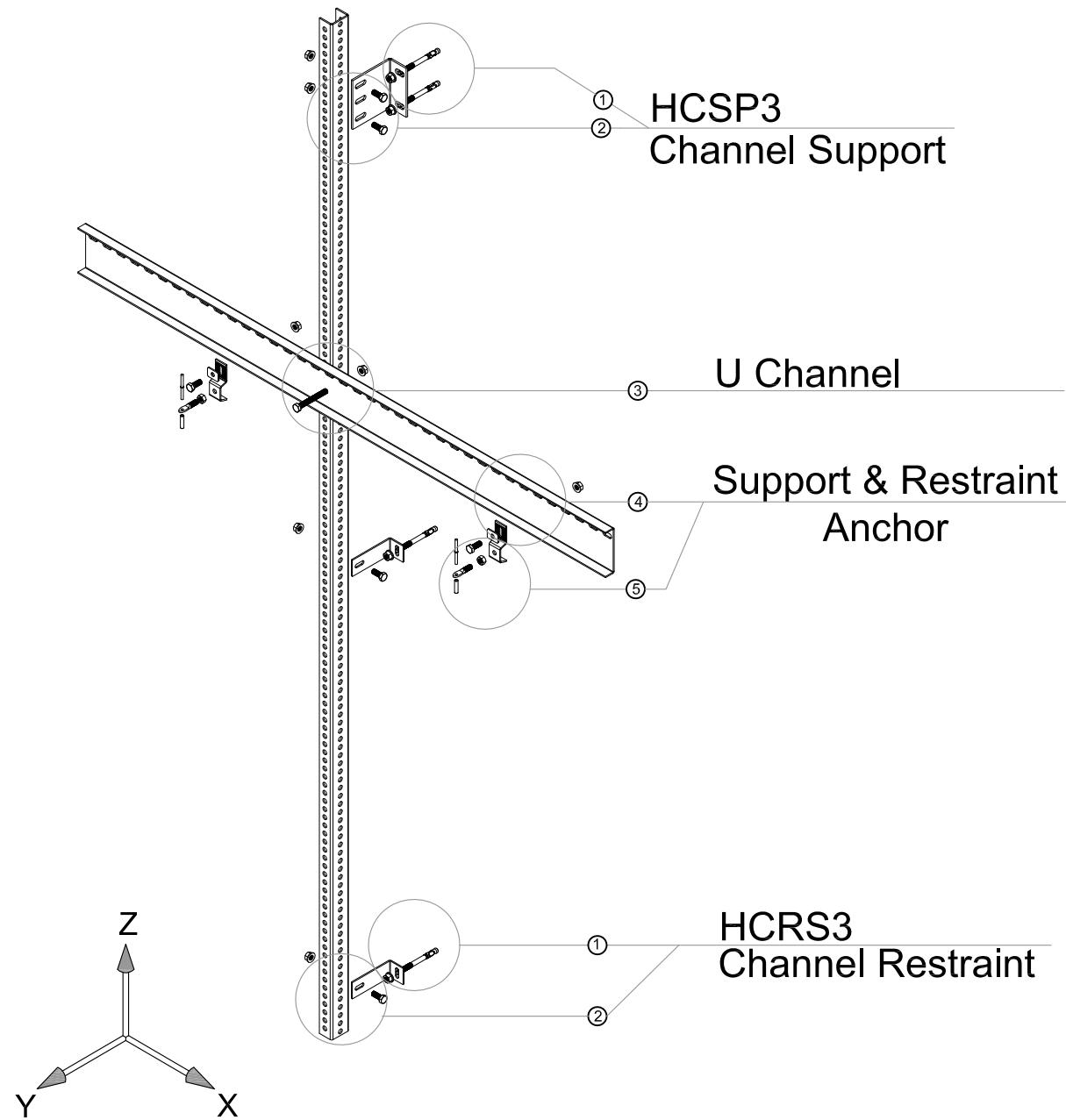


HAZ METAL Sanayi ve Ticaret A.S
 PO Box 241 31200 Iskenderun / Turkey
 Tel: +90 326 6262050 Faks: 6262045
 info@hazmetal.com / www.hazmetal.com.

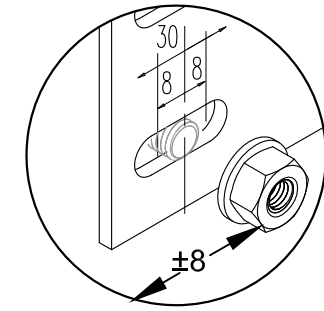
Title :		Natural Stone Facade - Built-up Cavity Wall - HMPA-HC3-H System- HCRS3 Specification						
Drawing No.	HAZCD-HMPA-HC3-H-ST-05							
Series	Concept Drawings - Natural Stone Fixing System - HMP Sub Channel System							
Revision	01	Scale	As Shown	Paper Size:	A3	Page :	5/20	

HMPA-HC3-H

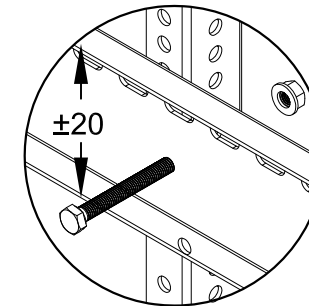
SUB CHANNEL SYSTEM



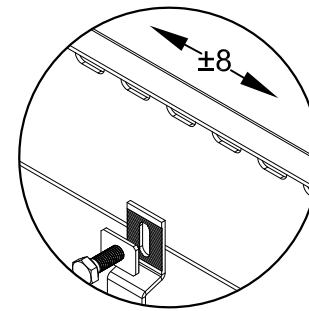
① The Adjustability on the X axis is Provided by Slotted hole ± 6 mm .



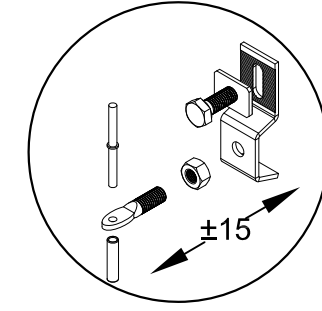
② The Adjustability on the Y axis is Provided by Slotted hole ± 8 mm .



③ Adjustment of the Horizontal Channel Up and Down on the Z Axis is provided by Holes in 20 mm increment.



④ The Adjustability on the x Axis is Provided by the slotted hole ± 8 mm



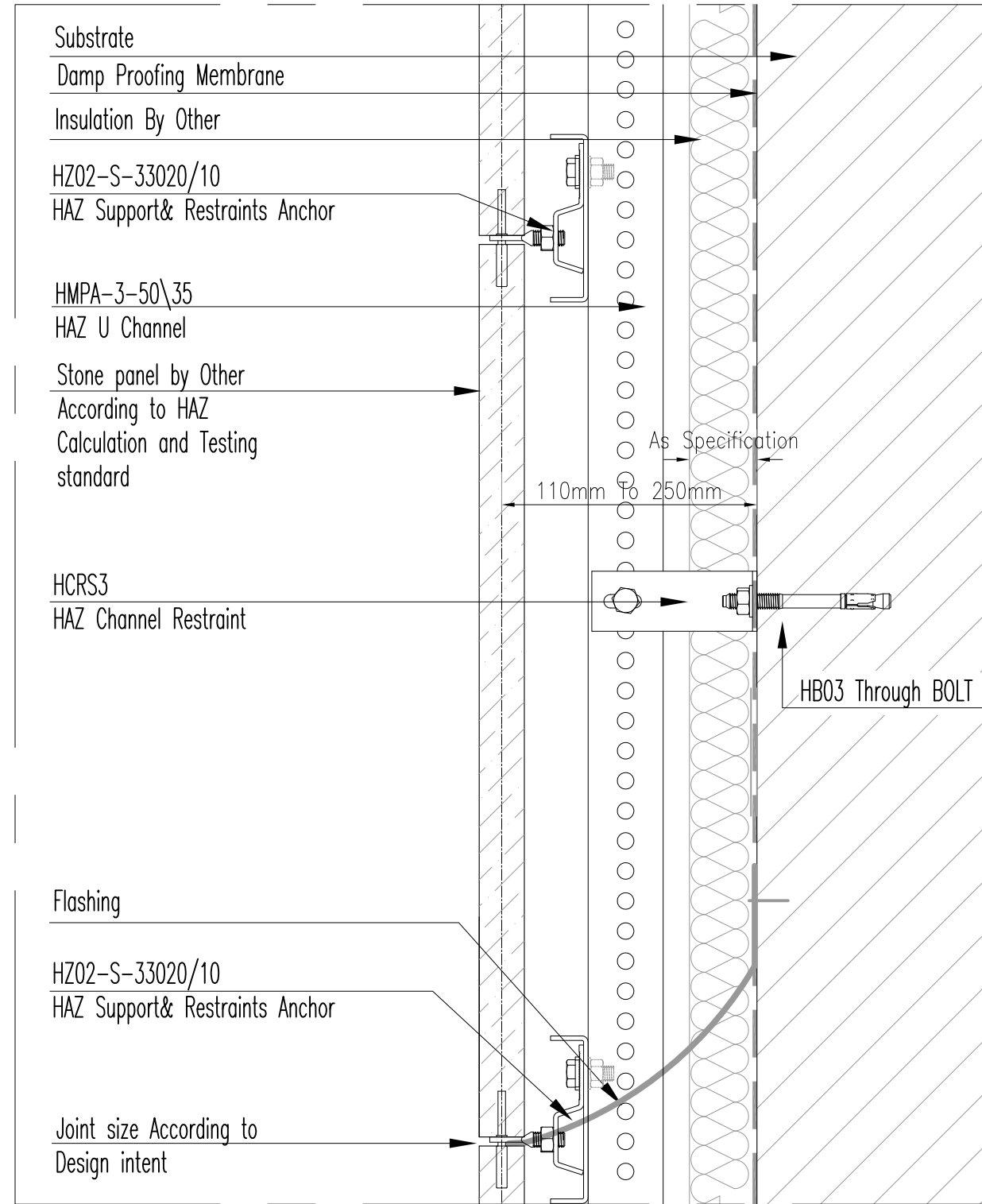
⑤ Adjustment of the Projection size on the Y Axis is provided by rotating the adjustable arm ± 15 mm.



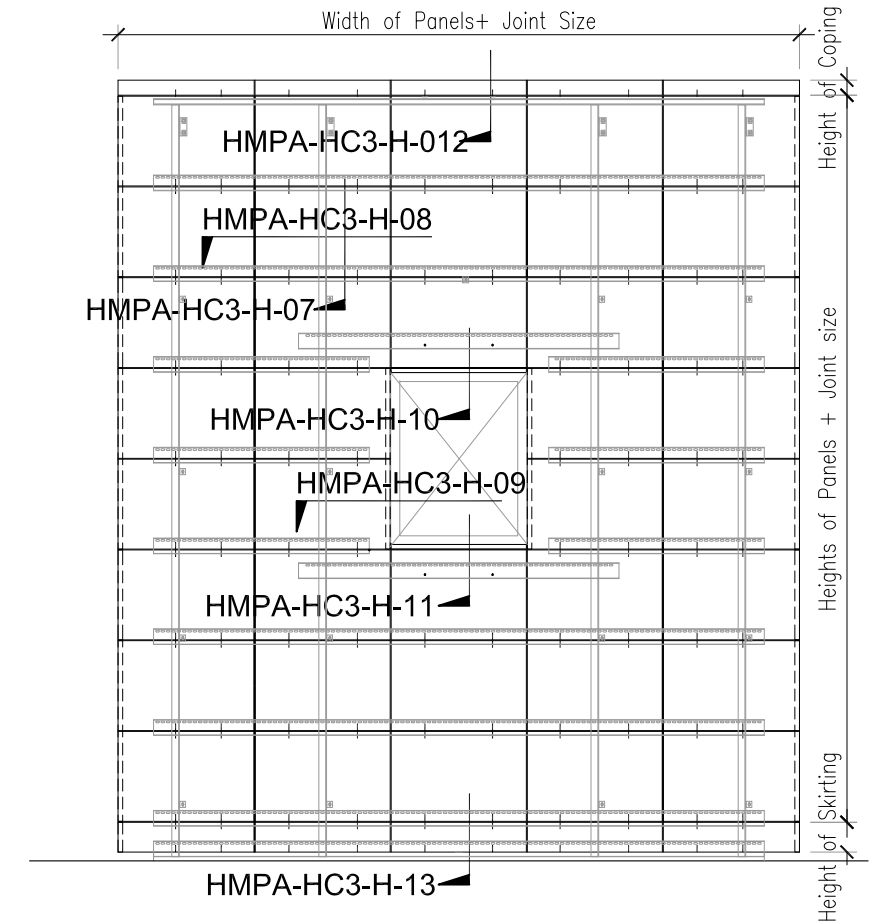
HAZ METAL Sanayi ve Ticaret A.S
PO Box 241 31200 Iskenderun / Turkey
Tel: +90 326 6262050 Faks: 6262045
info@hazmetal.com / www.hazmetal.com.

Title :		Natural Stone Facade - Built-up Cavity Wall - HMPA-HC3-H System- Adjustability			
Drawing No.	HAZCD-HMPA-HC3-H-ST-06				
Series	Concept Drawings - Natural Stone Fixing System - HMP Sub Channel System				
Revision	01	Scale	As Shown	Paper Size: A3	Page : 6/20

HMPA-HC3-H SUB CHANNEL SYSTEM



Vertical section Scale 1:4



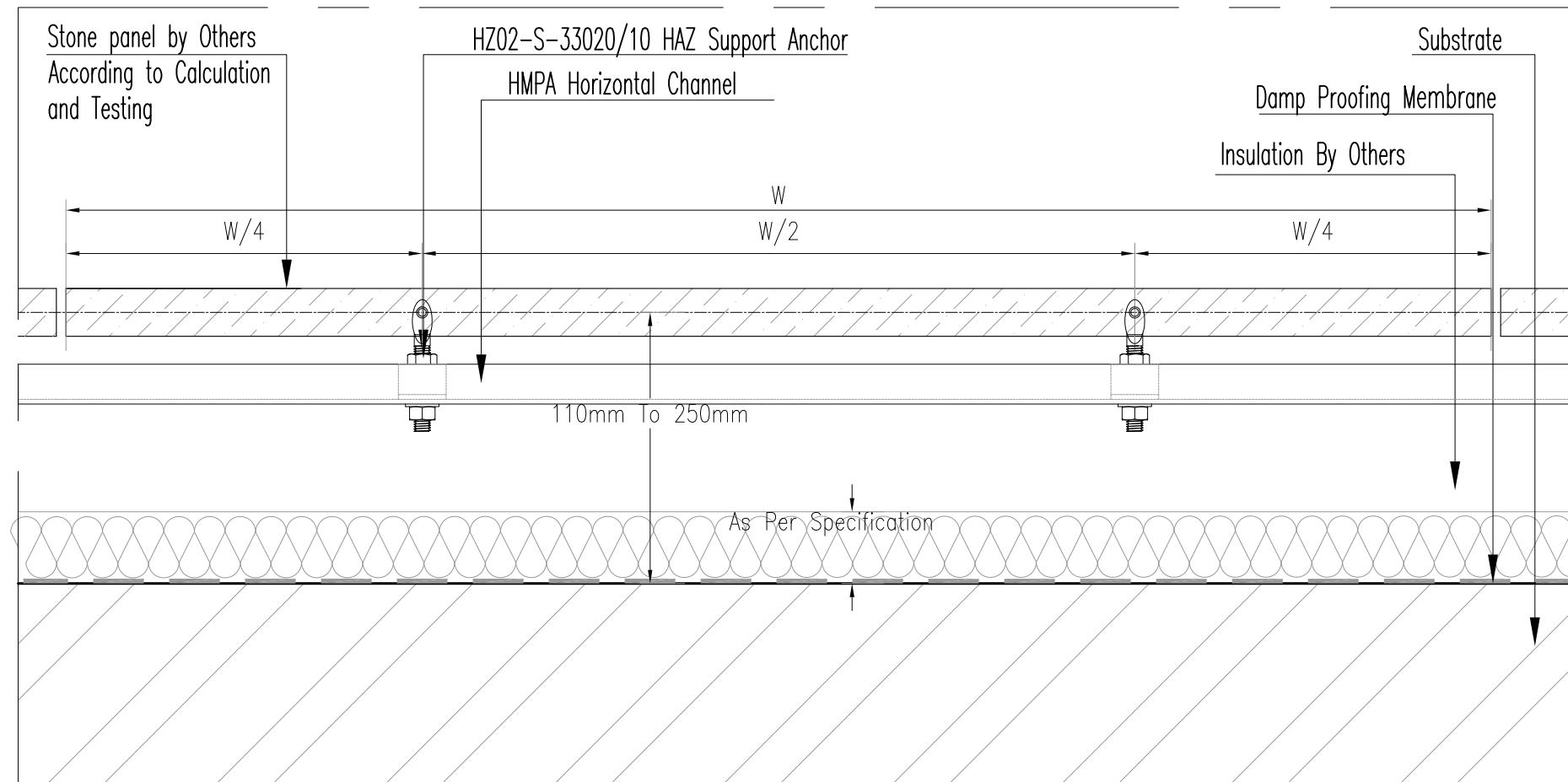
Elevation Scale 1:50



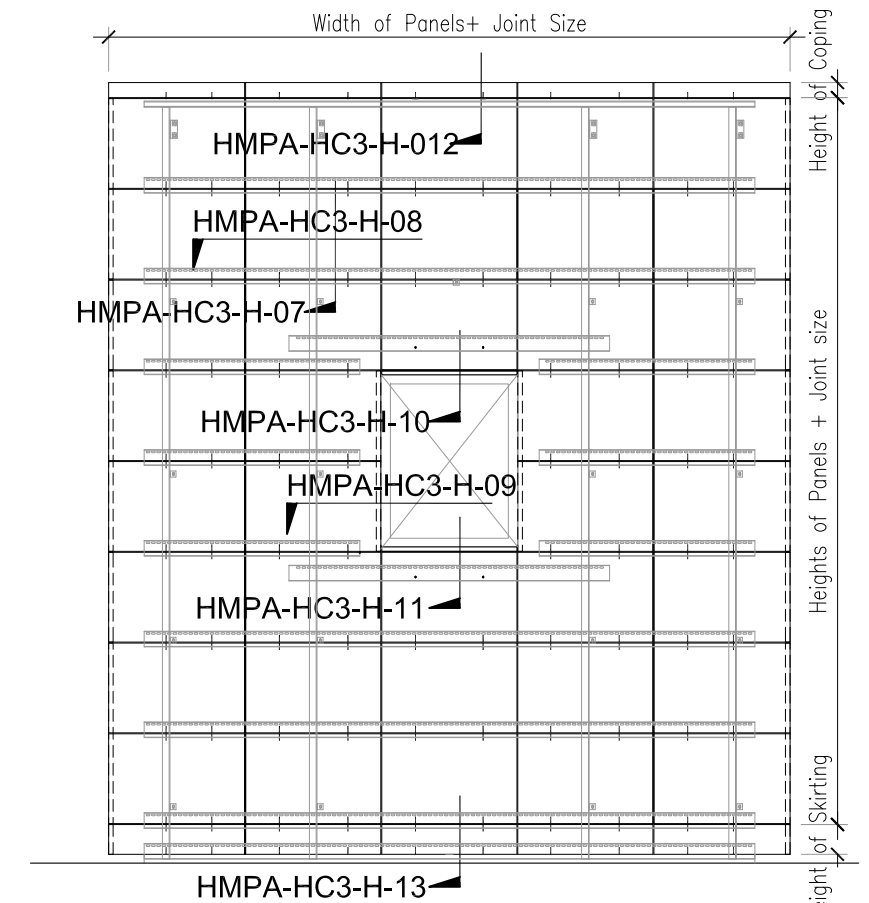
Title :		Horizontal Joint Installation - Typical Stone Claddings - HMPA-HC3-H System - Vertical Section			
Drawing No.		HAZCD-HMPA-HC3-H-ST-07			
Series		Concept Drawings - Natural Stone Fixing System - HMP Sub Channel System			
Revision	01	Scale	As Shown	Paper Size: A3	Page : 7/20

HAZ METAL Sanayi ve Ticaret A.S
PO Box 241 31200 Iskenderun / Turkey
Tel: +90 326 6262050 Faks: 6262045
info@hazmetal.com / www.hazmetal.com.

HMPA-HC3-H SUB CHANNEL SYSTEM



Horizontal section Scale 1:4



Elevation Scale 1:50

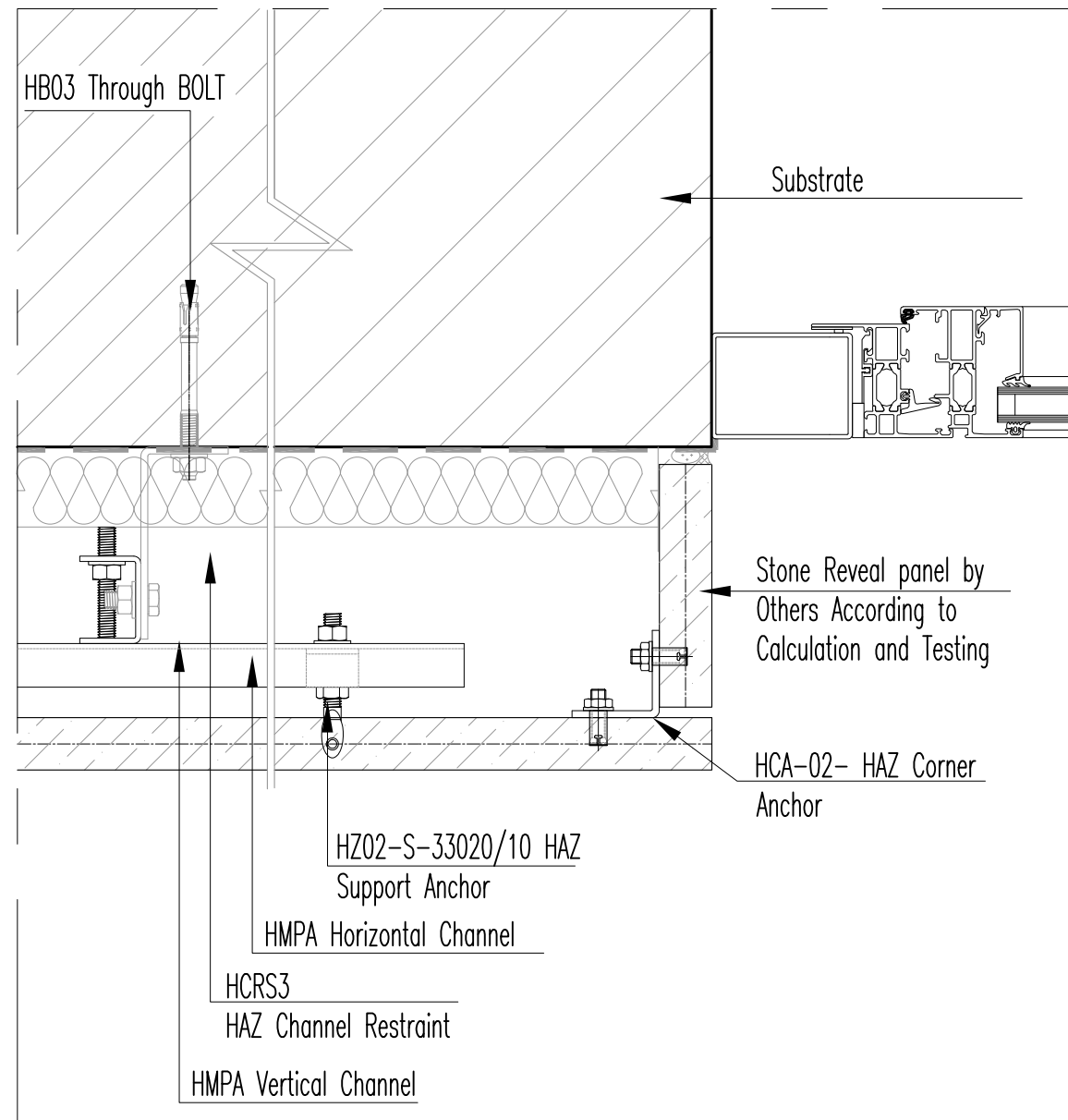


Title :		Horizontal Joint Installation - Typical Stone Claddings - HMPA-HC3-H System - Horizontal Section			
Drawing No.		HAZCD-HMPA-HC3-H-ST-08			
Series		Concept Drawings - Natural Stone Fixing System - HMP Sub Channel System			
Revision		01	Scale	As Shown	Paper Size: A3
					Page : 8/20

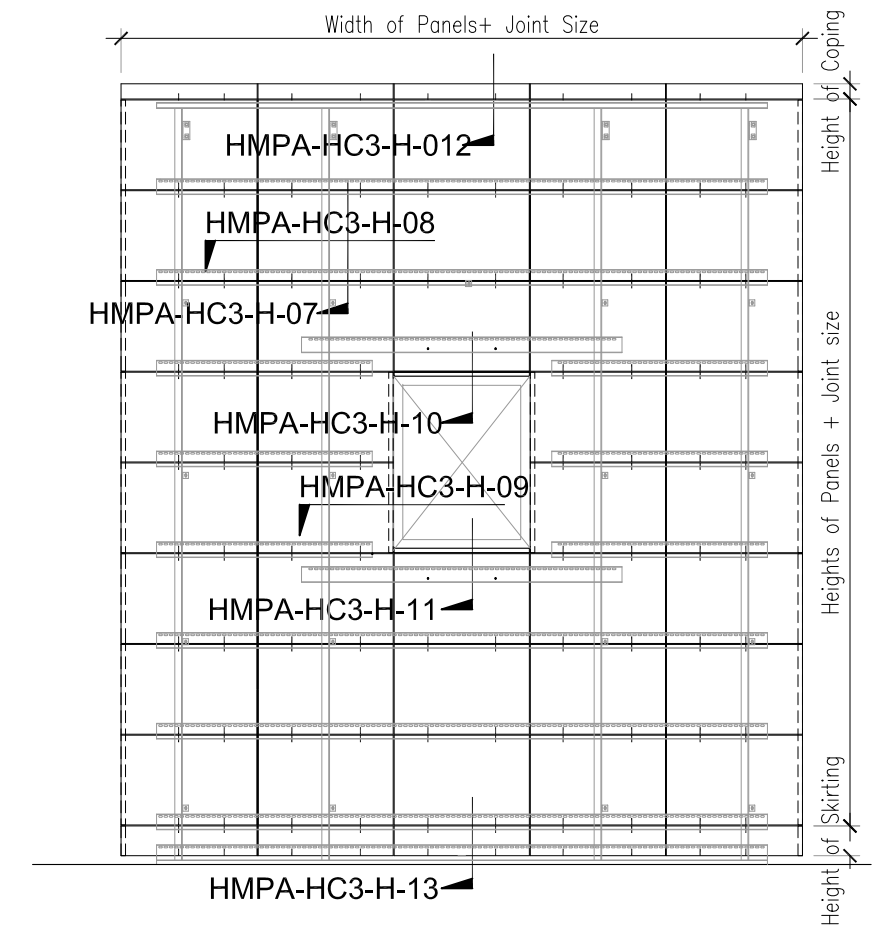
HAZ METAL Sanayi ve Ticaret A.S
PO Box 241 31200 Iskenderun / Turkey
Tel: +90 326 6262050 Faks: 6262045
info@hazmetal.com / www.hazmetal.com.

HMPA-HC3-H

SUB CHANNEL SYSTEM



Horizontal section Scale 1:4



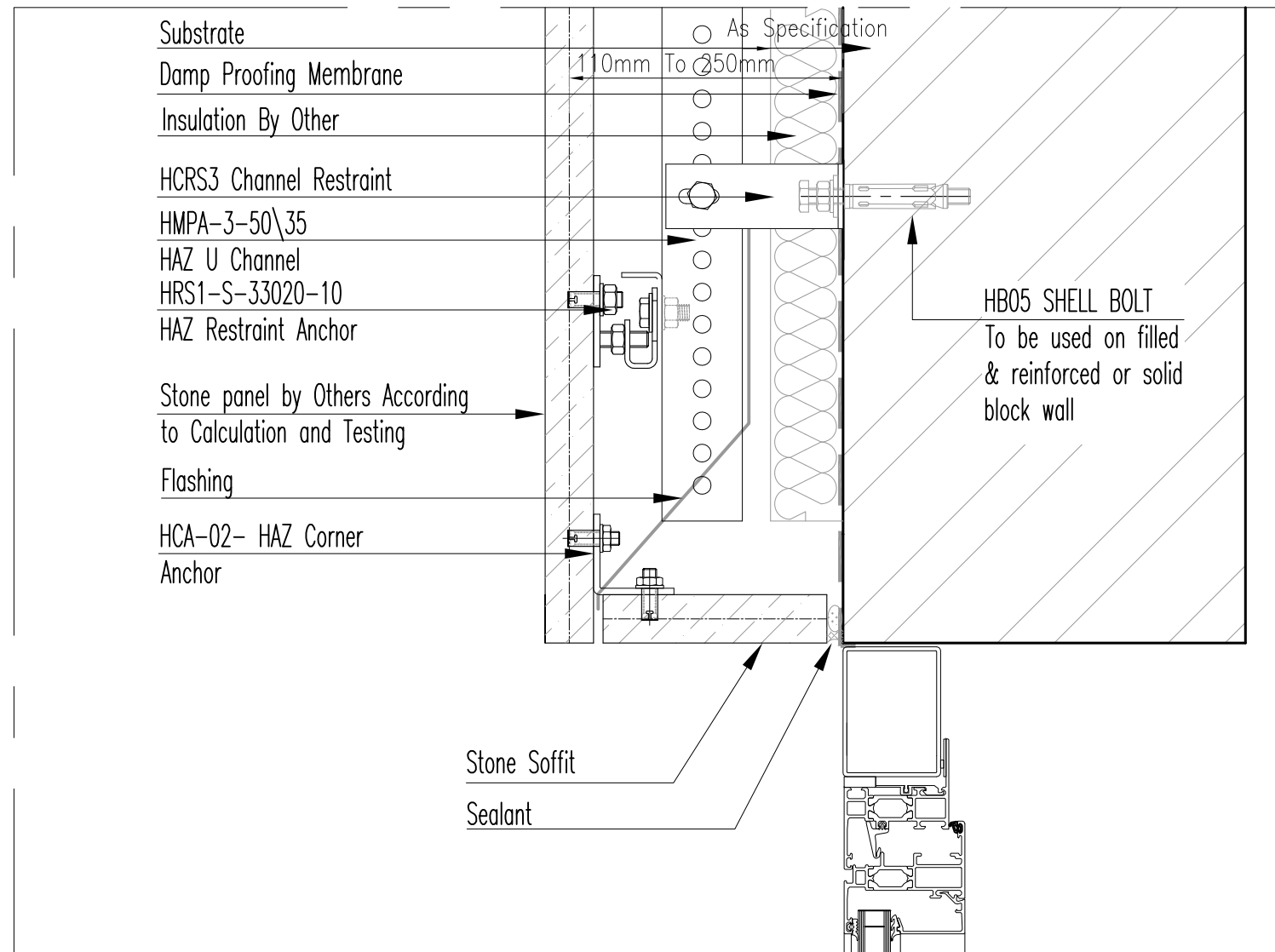
Elevation Scale 1:50



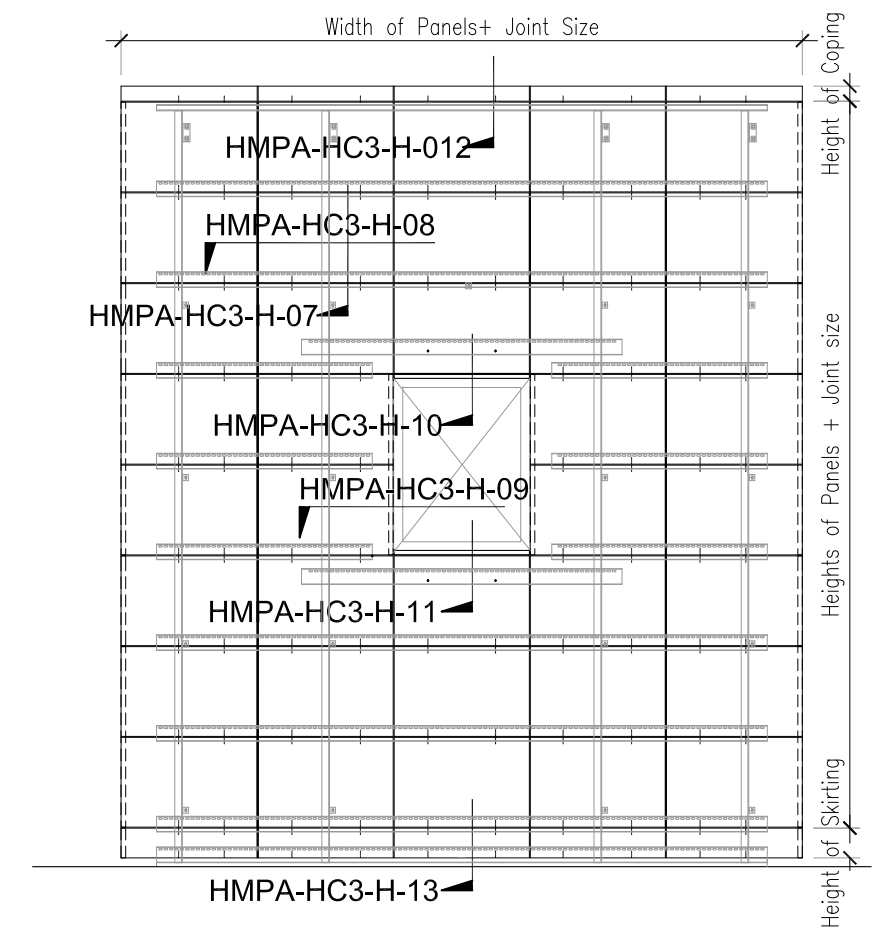
Title :		Horizontal Joint Installation - Stone Reveal - Horizontal Section			
Drawing No.	HAZCD-HMPA-HC3-H-ST-09				
Series	Concept Drawings - Natural Stone Fixing System - HMP Sub Channel System				
Revision	01	Scale	As Shown	Paper Size: A3	Page : 9/20

HAZ METAL Sanayi ve Ticaret A.S
 PO Box 241 31200 Iskenderun / Turkey
 Tel: +90 326 6262050 Faks: 6262045
 info@hazmetal.com / www.hazmetal.com.

HMPA-HC3-H SUB CHANNEL SYSTEM



Vertical section Scale 1:4



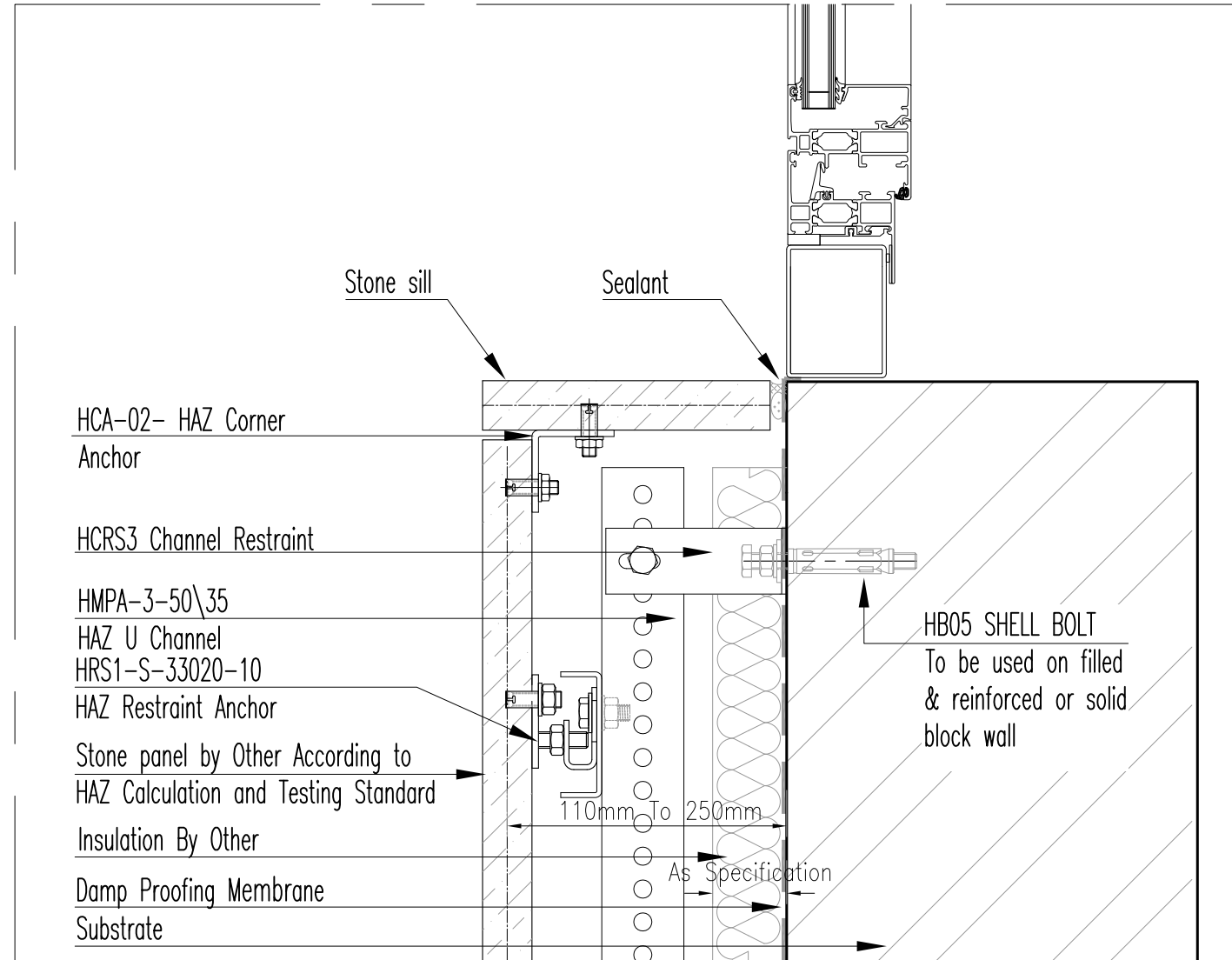
Elevation Scale 1:50



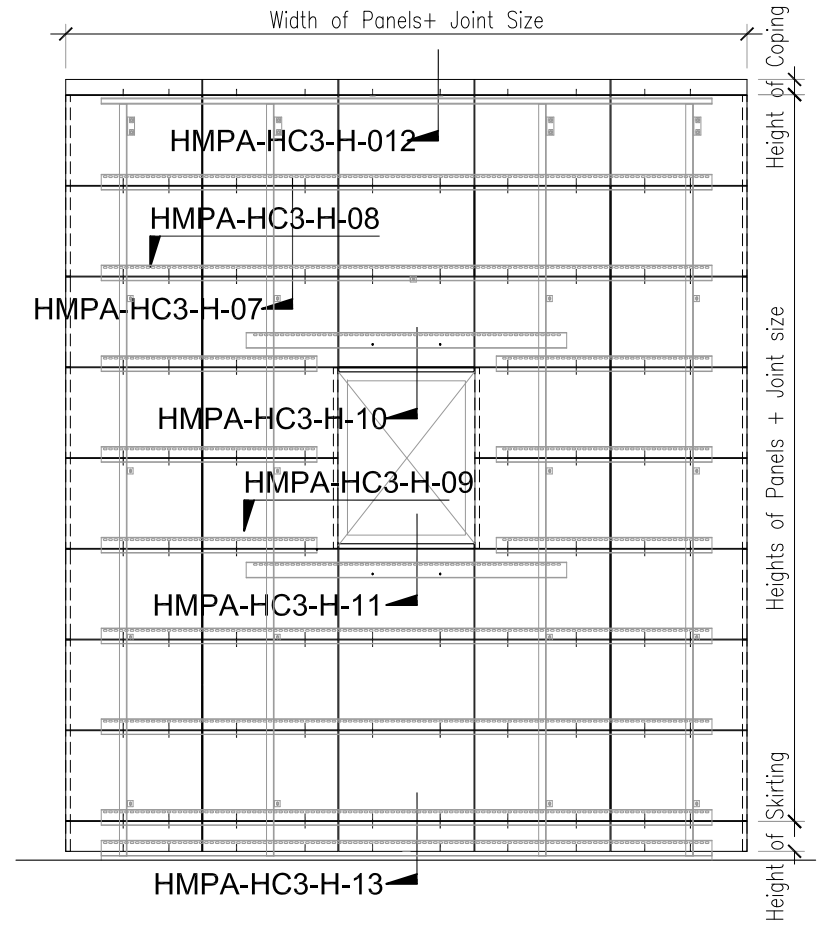
Title :		Horizontal Joint Installation - Stone Soffit - Vertical Section			
Drawing No.		HAZCD-HMPA-HC3-H-ST-10			
Series		Concept Drawings - Natural Stone Fixing System - HMP Sub Channel System			
Revision	01	Scale	As Shown	Paper Size: A3	Page : 10/20

HAZ METAL Sanayi ve Ticaret A.S
PO Box 241 31200 Iskenderun / Turkey
Tel: +90 326 6262050 Faks: 6262045
info@hazmetal.com / www.hazmetal.com.

HMPA-HC3-H SUB CHANNEL SYSTEM



Vertical section Scale 1:4



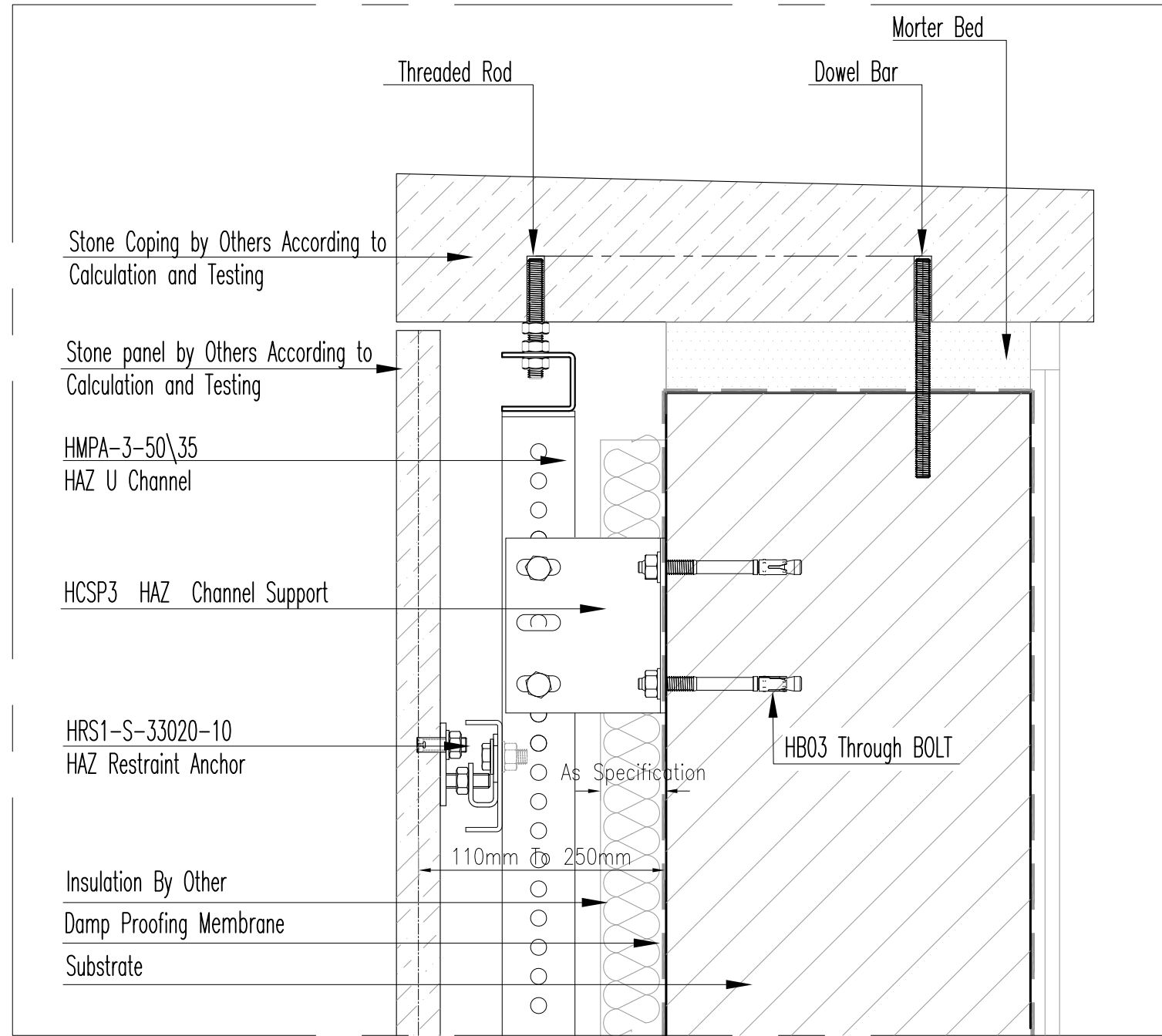
Elevation Scale 1:50



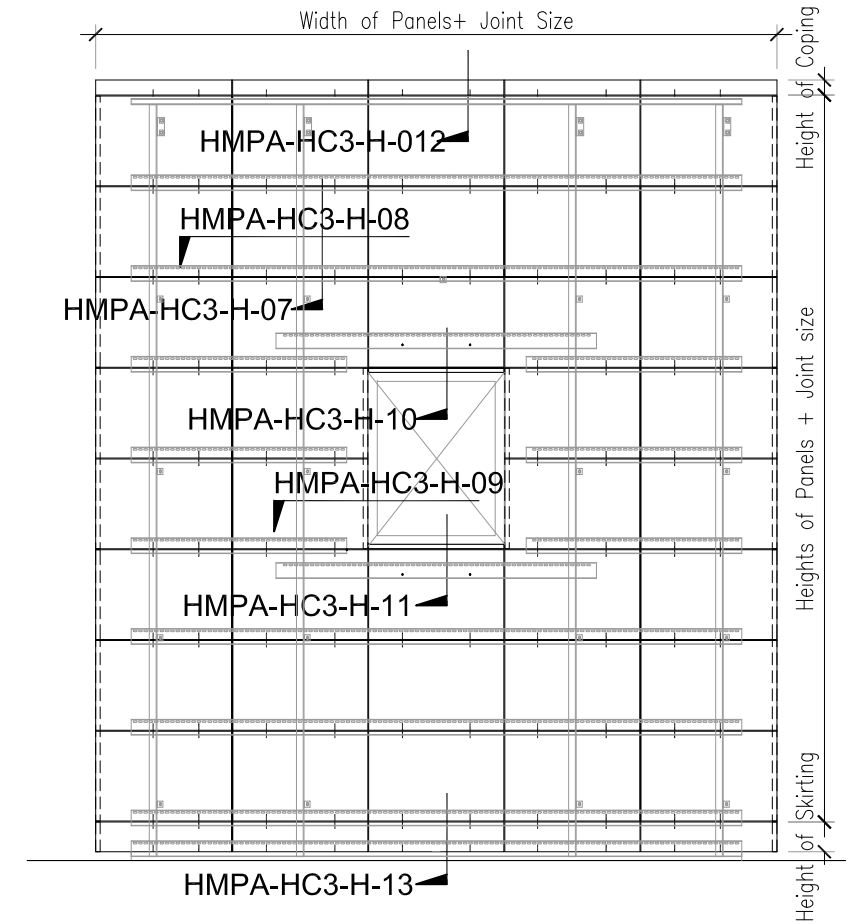
Title :		Horizontal Joint Installation - Stone Sill - Vertical Section			
Drawing No.		HAZCD-HMPA-HC3-H-ST-11			
Series		Concept Drawings - Natural Stone Fixing System - HMP Sub Channel System			
Revision		01	Scale	As Shown	Paper Size: A3
					Page : 11/20

HAZ METAL Sanayi ve Ticaret A.S
PO Box 241 31200 Iskenderun / Turkey
Tel: +90 326 6262050 Faks: 6262045
info@hazmetal.com / www.hazmetal.com.

HMPA-HC3-H SUB CHANNEL SYSTEM



Vertical section Scale 1:4



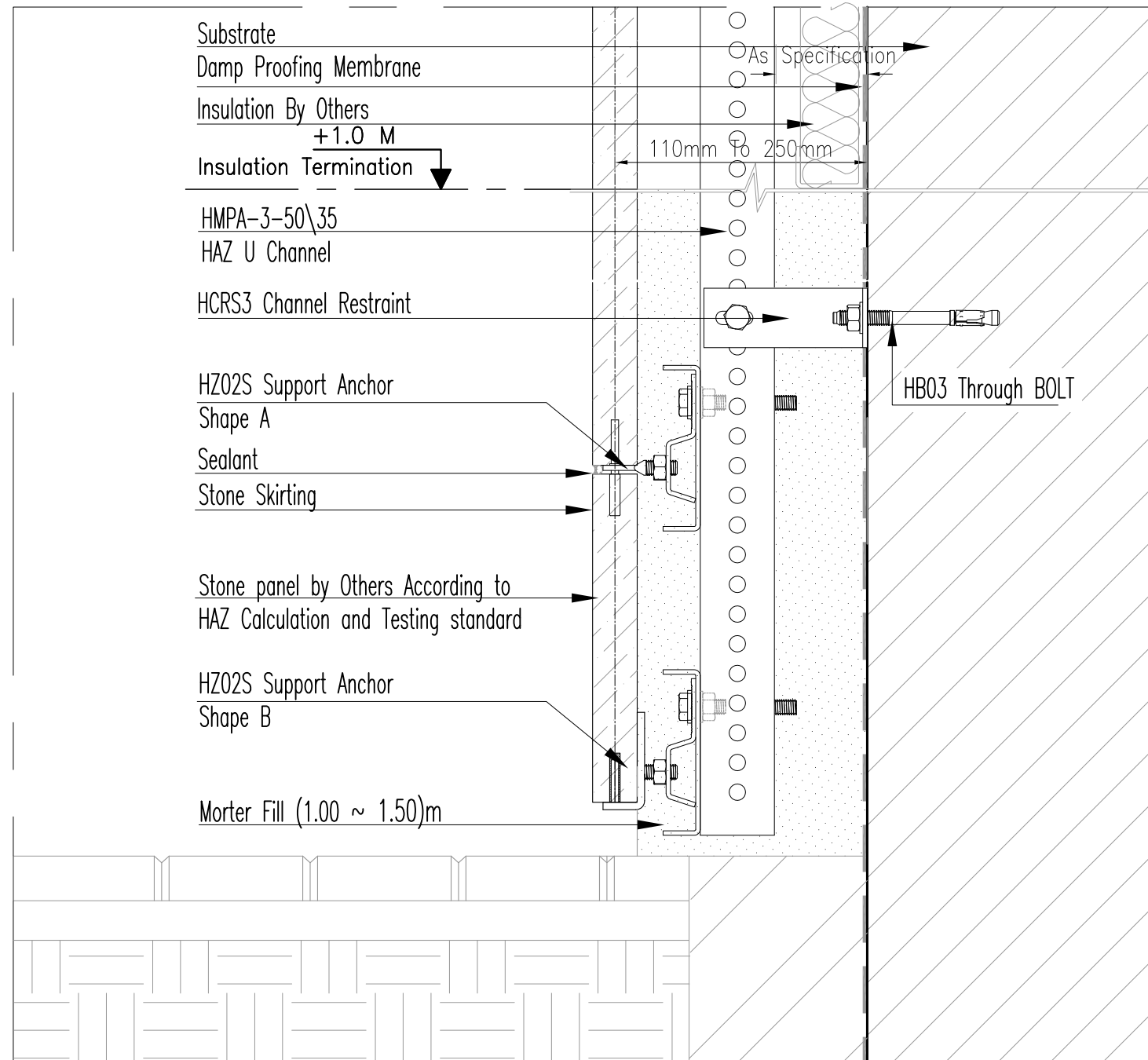
Elevation Scale 1:50



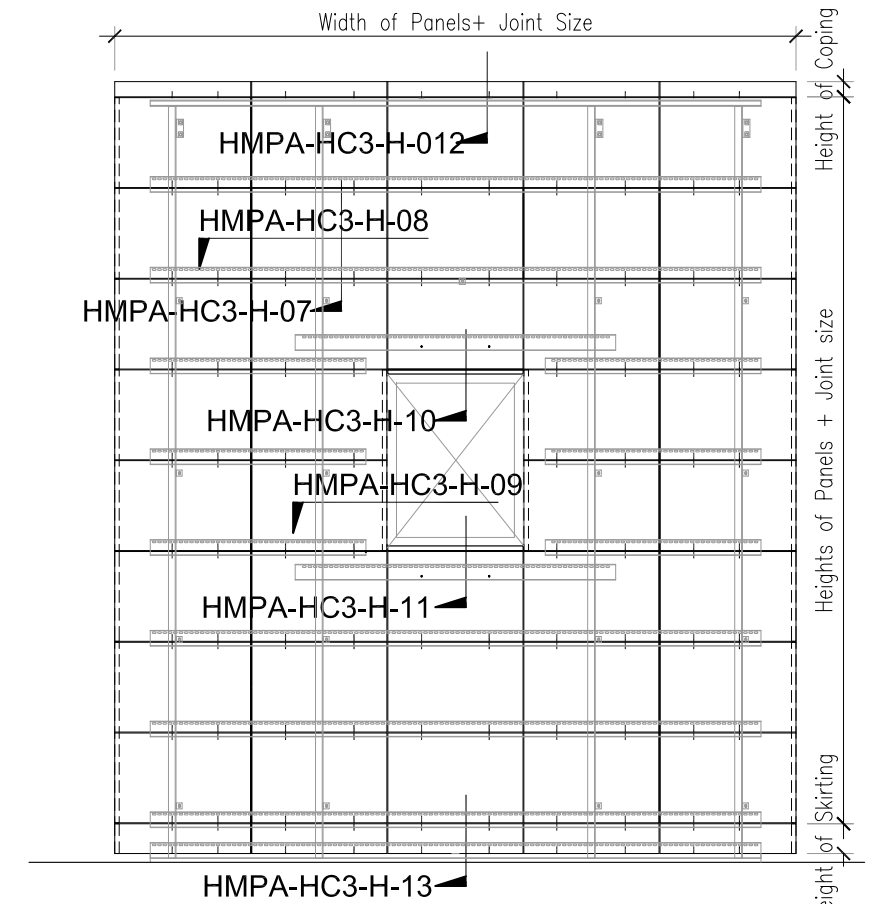
Title :		Horizontal Joint Installation - Stone Coping - Vertical Section			
Drawing No.		HAZCD-HMPA-HC3-H-ST-12			
Series		Concept Drawings - Natural Stone Fixing System - HMP Sub Channel System			
Revision	01	Scale	As Shown	Paper Size: A3	Page : 12/20

HAZ METAL Sanayi ve Ticaret A.S
PO Box 241 31200 Iskenderun / Turkey
Tel: +90 326 6262050 Faks: 6262045
info@hazmetal.com / www.hazmetal.com.

HMPA-HC3-H SUB CHANNEL SYSTEM



Vertical section Scale 1:4



Elevation Scale 1:50

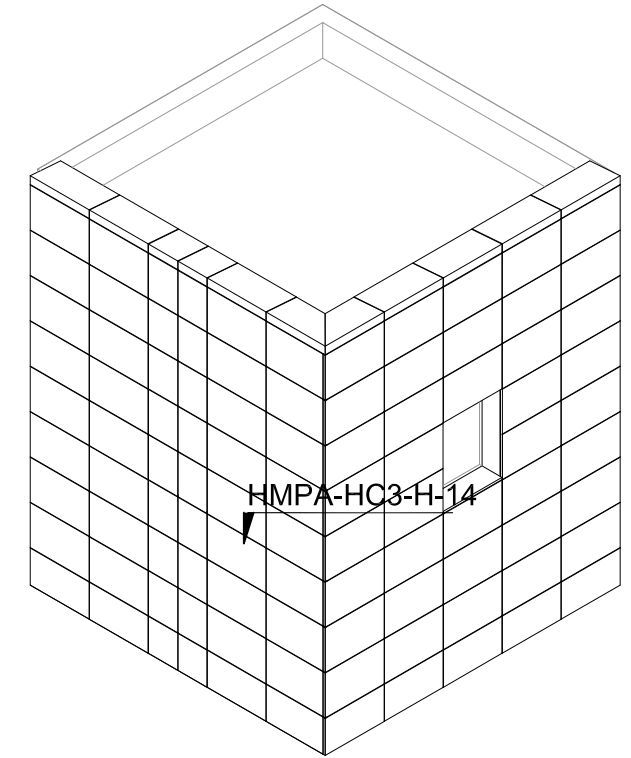
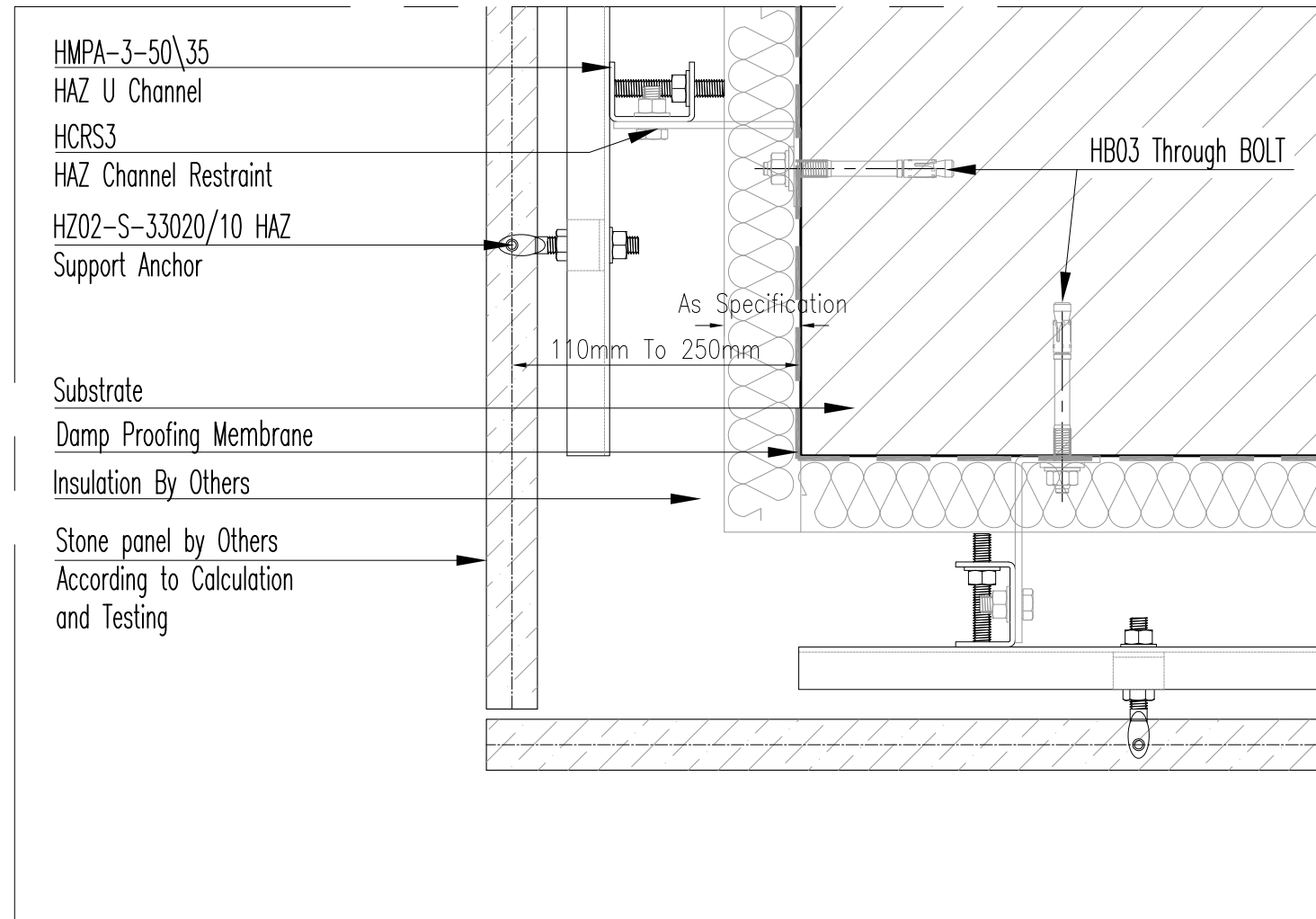


Title :		Horizontal Joint Installation - Stone Skirting - Vertical Section				
Drawing No.		HAZCD-HMPA-HC3-H-ST-13				
Series		Concept Drawings - Natural Stone Fixing System - HMP Sub Channel System				
Revision	01	Scale	As Shown	Paper Size:	A3	Page : 13/20

HAZ METAL Sanayi ve Ticaret A.S
PO Box 241 31200 Iskenderun / Turkey
Tel: +90 326 6262050 Faks: 6262045
info@hazmetal.com / www.hazmetal.com.

HMPA-HC3-H

SUB CHANNEL SYSTEM



Isometric Scale 1:100

Horizontal section Scale 1:4

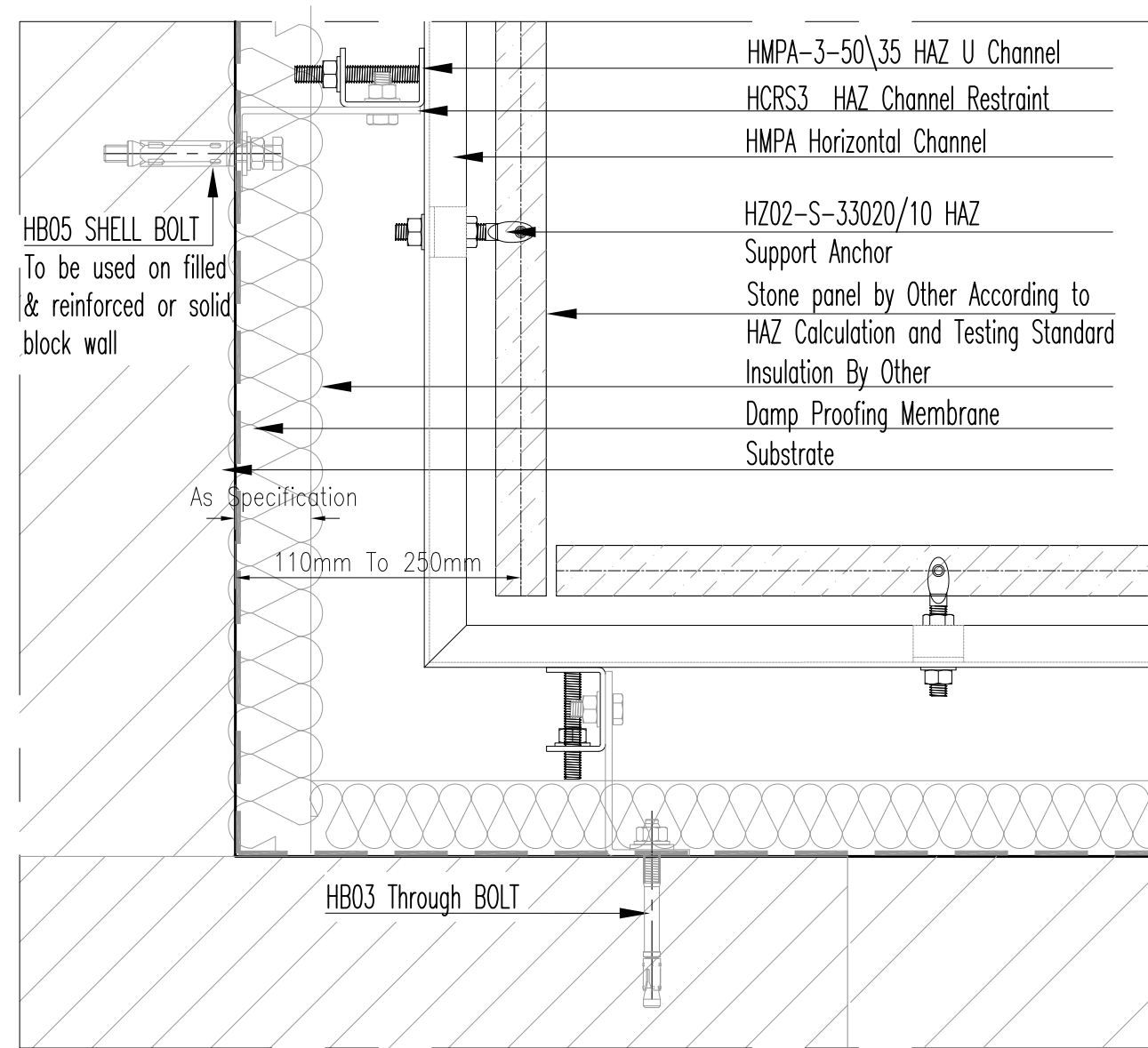


Title :		Horizontal Joint Installation - External Corner Stone Cladding - Horizontal Section			
Drawing No.	HAZCD-HMPA-HC3-H-ST-14				
Series	Concept Drawings - Natural Stone Fixing System - HMP Sub Channel System				
Revision	01	Scale	As Shown	Paper Size: A3	Page : 14/20

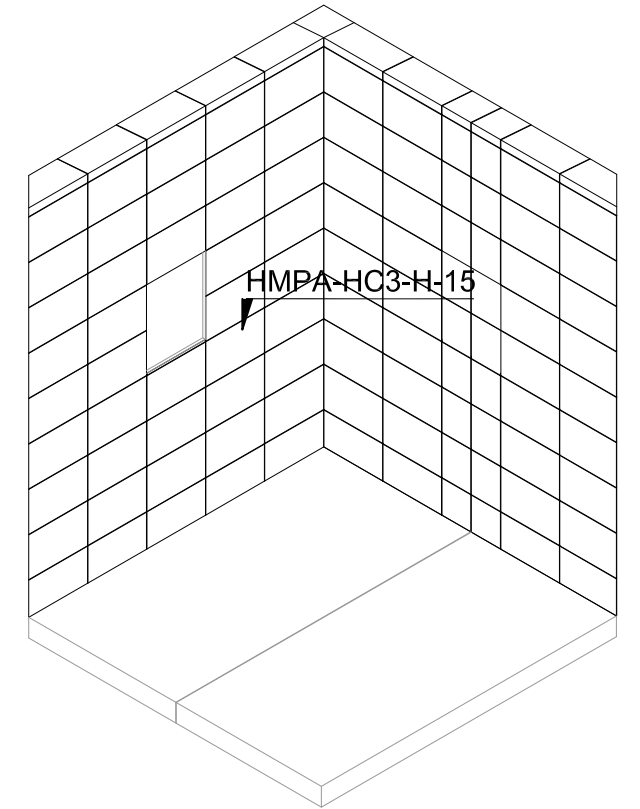
HAZ METAL Sanayi ve Ticaret A.S
PO Box 241 31200 Iskenderun / Turkey
Tel: +90 326 6262050 Faks: 6262045
info@hazmetal.com / www.hazmetal.com.

HMPA-HC3-H

SUB CHANNEL SYSTEM



Horizontal section Scale 1:4



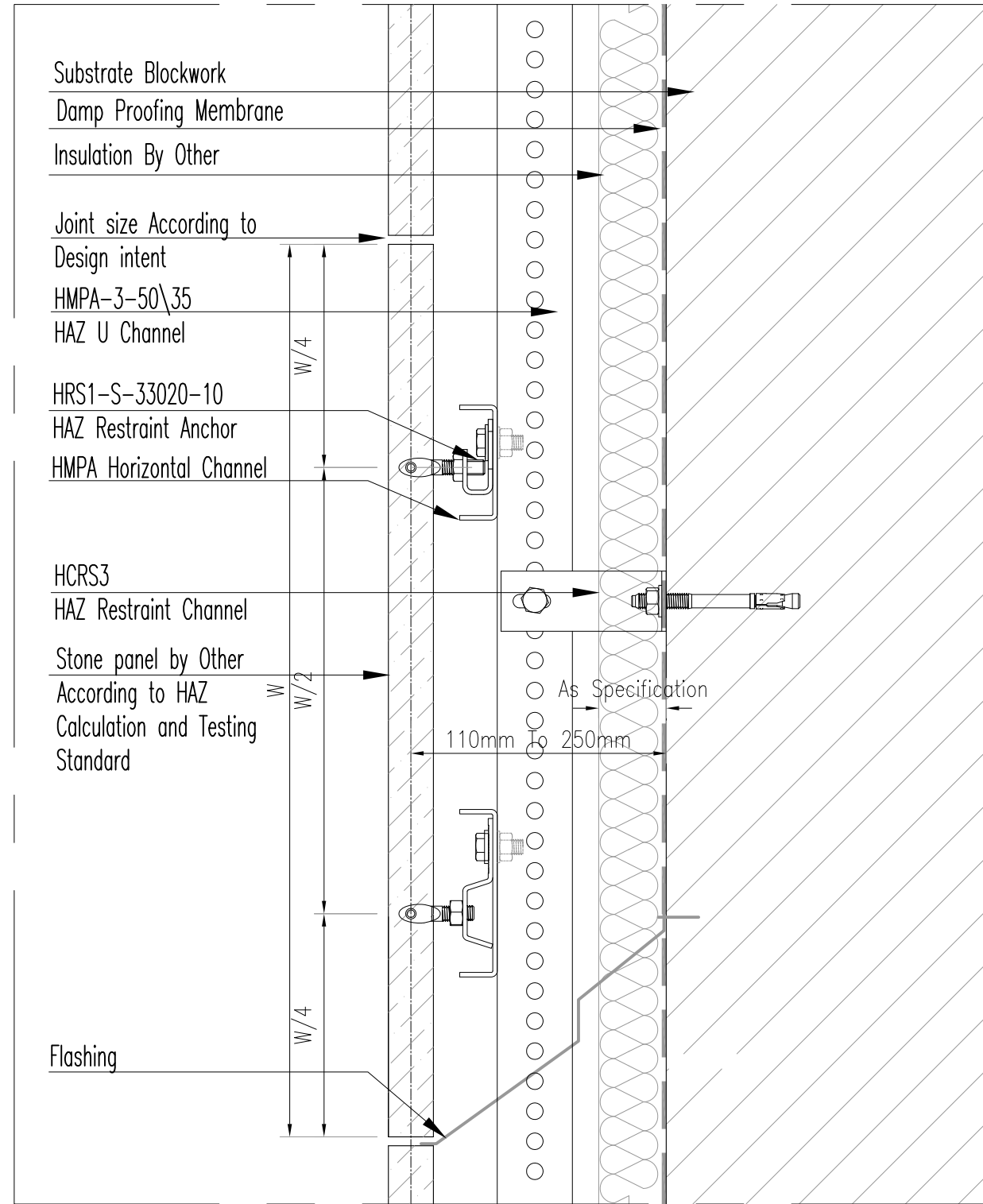
Isometric Scale 1:100



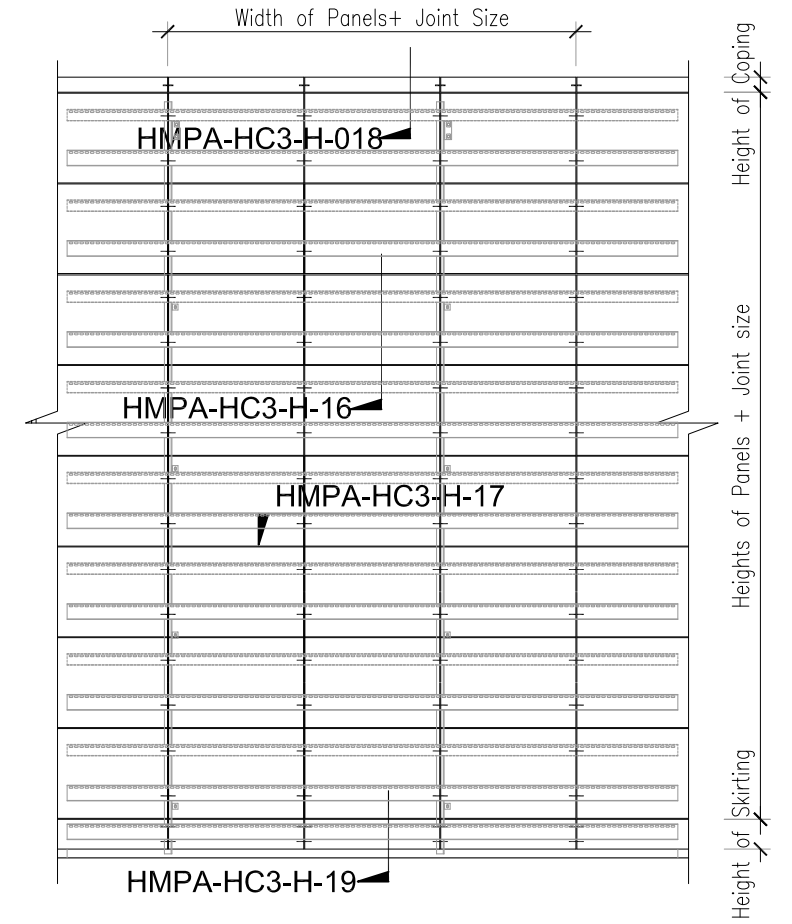
Title :		Horizontal Joint Installation - Internal Corner Stone Cladding - Horizontal Section				
Drawing No.		HAZCD-HMPA-HC3-H-ST-15				
Series		Concept Drawings - Natural Stone Fixing System - HMP Sub Channel System				
Revision		01	Scale	As Shown	Paper Size: A3	Page : 15/20

HAZ METAL Sanayi ve Ticaret A.S
 PO Box 241 31200 Iskenderun / Turkey
 Tel: +90 326 6262050 Faks: 6262045
 info@hazmetal.com / www.hazmetal.com.

HMPA-HC3-H SUB CHANNEL SYSTEM



Vertical section Scale 1:4



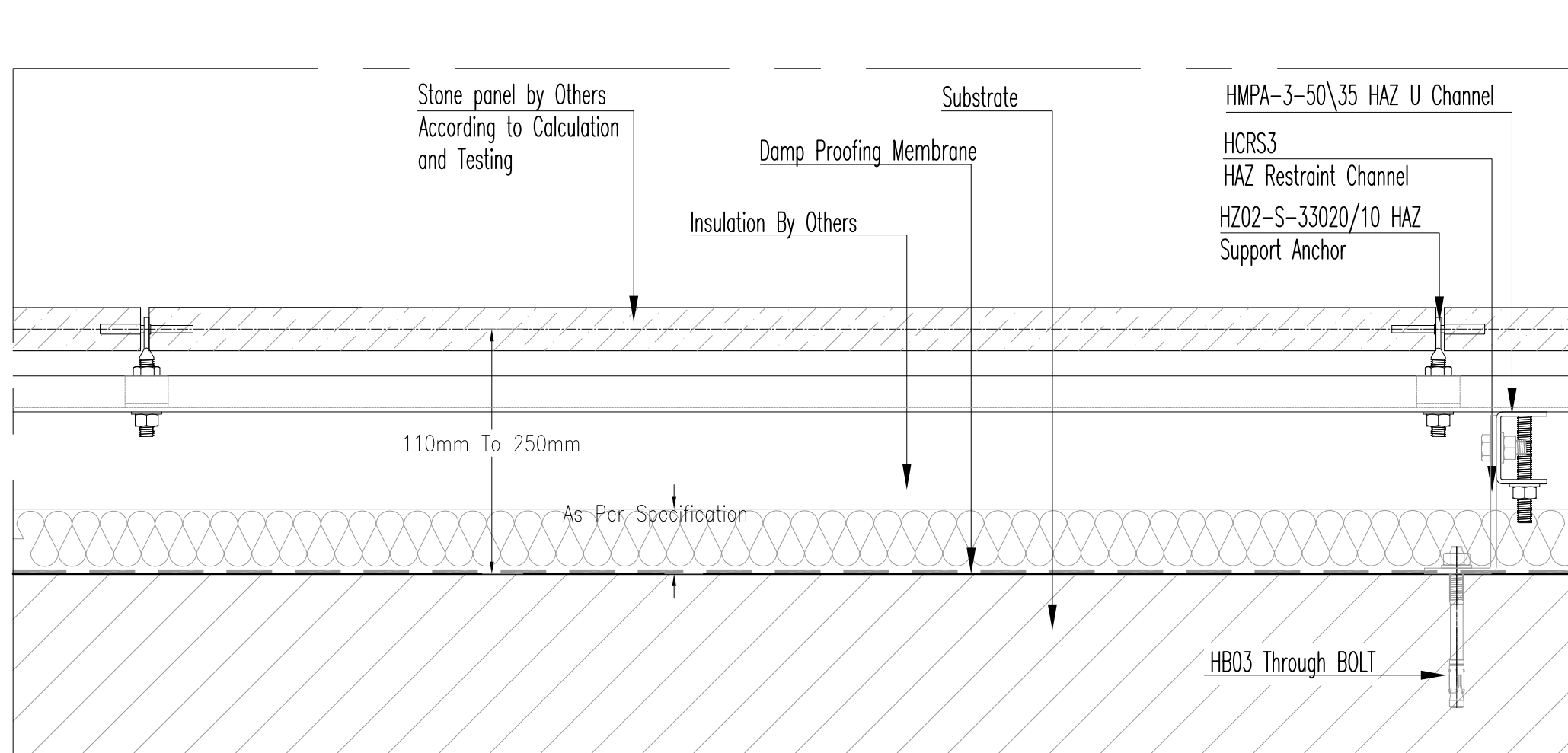
Elevation Scale 1:50



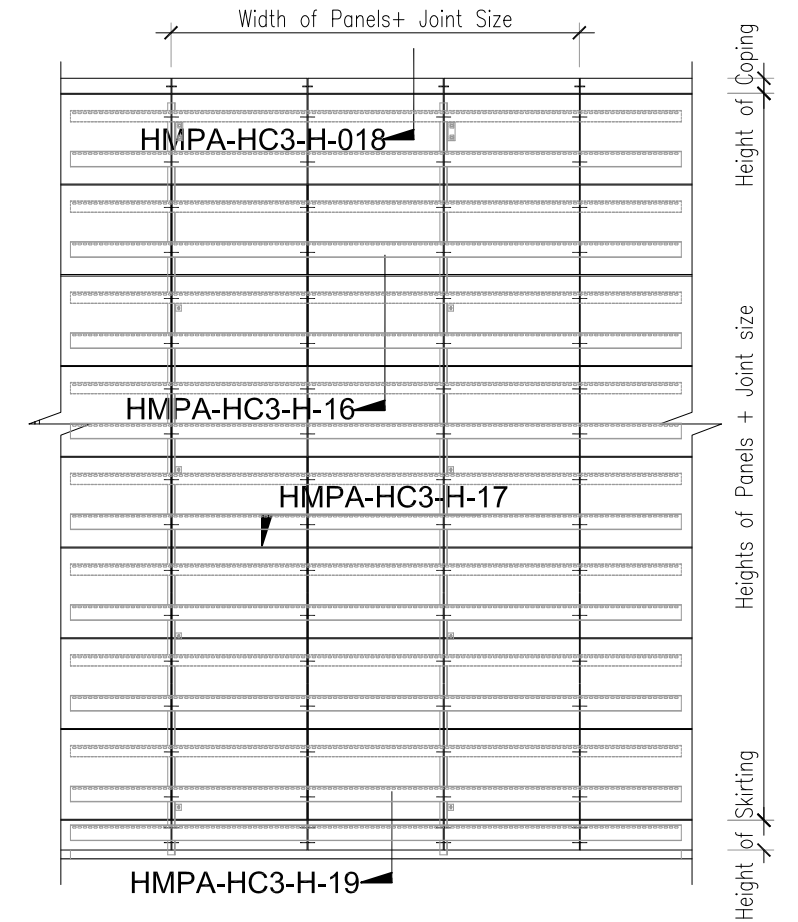
HAZ METAL Sanayi ve Ticaret A.S
PO Box 241 31200 Iskenderun / Turkey
Tel: +90 326 6262050 Faks: 6262045
info@hazmetal.com / www.hazmetal.com.

Title :		Vertical Joint Installation - Typical Stone Claddings - HMPA-HC3-H System - Vertical Section			
Drawing No.		HAZCD-HMPA-HC3-H-ST-16			
Series		Concept Drawings - Natural Stone Fixing System - HMP Sub Channel System			
Revision	01	Scale	As Shown	Paper Size: A3	Page : 16/20

HMPA-HC3-H SUB CHANNEL SYSTEM



Horizontal section Scale 1:4



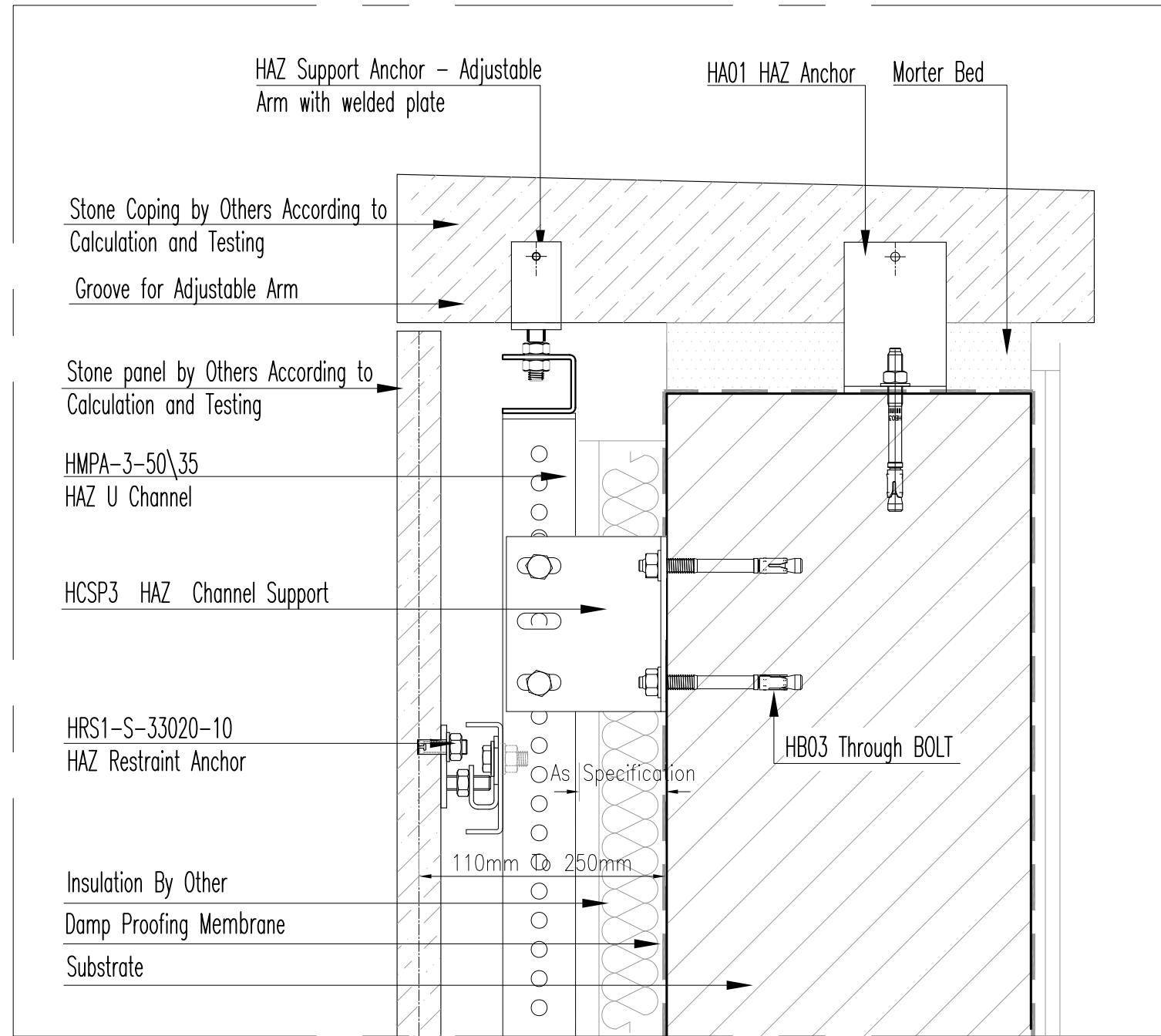
Elevation Scale 1:50



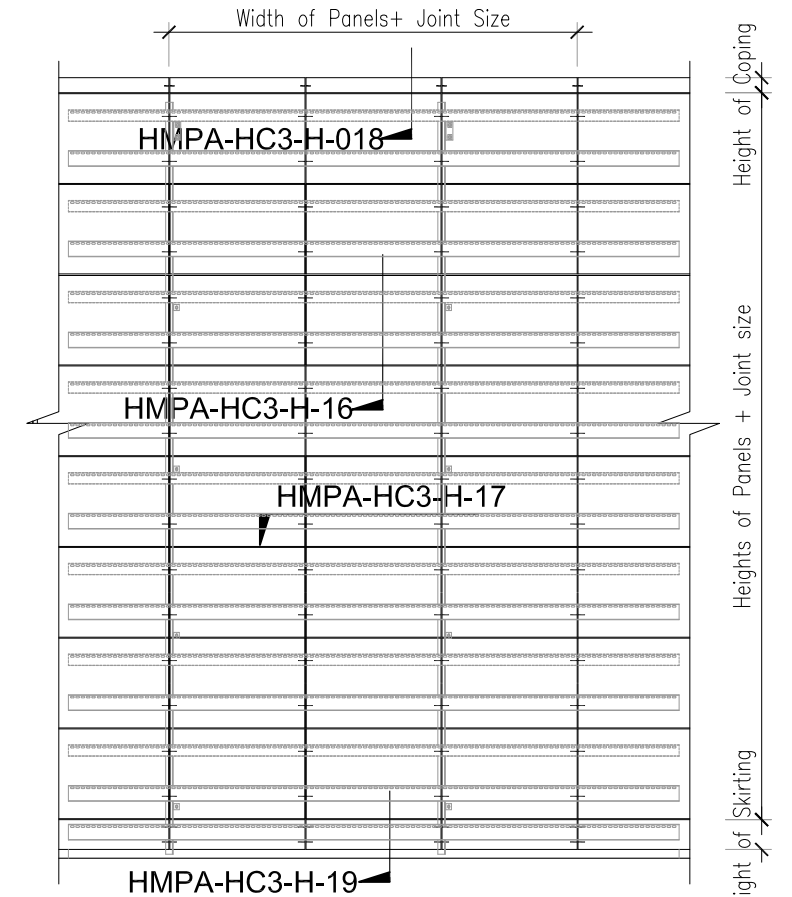
Title :		Vertical Joint Installation - Typical Stone Claddings - HMPA-HC3-H System - Horizontal Section			
Drawing No.		HAZCD-HMPA-HC3-H-ST-17			
Series		Concept Drawings - Natural Stone Fixing System - HMP Sub Channel System			
Revision		01	Scale	As Shown	Paper Size: A3
					Page : 17/20

HAZ METAL Sanayi ve Ticaret A.S
PO Box 241 31200 Iskenderun / Turkey
Tel: +90 326 6262050 Faks: 6262045
info@hazmetal.com / www.hazmetal.com.

HMPA-HC3-H SUB CHANNEL SYSTEM



Vertical section Scale 1:4



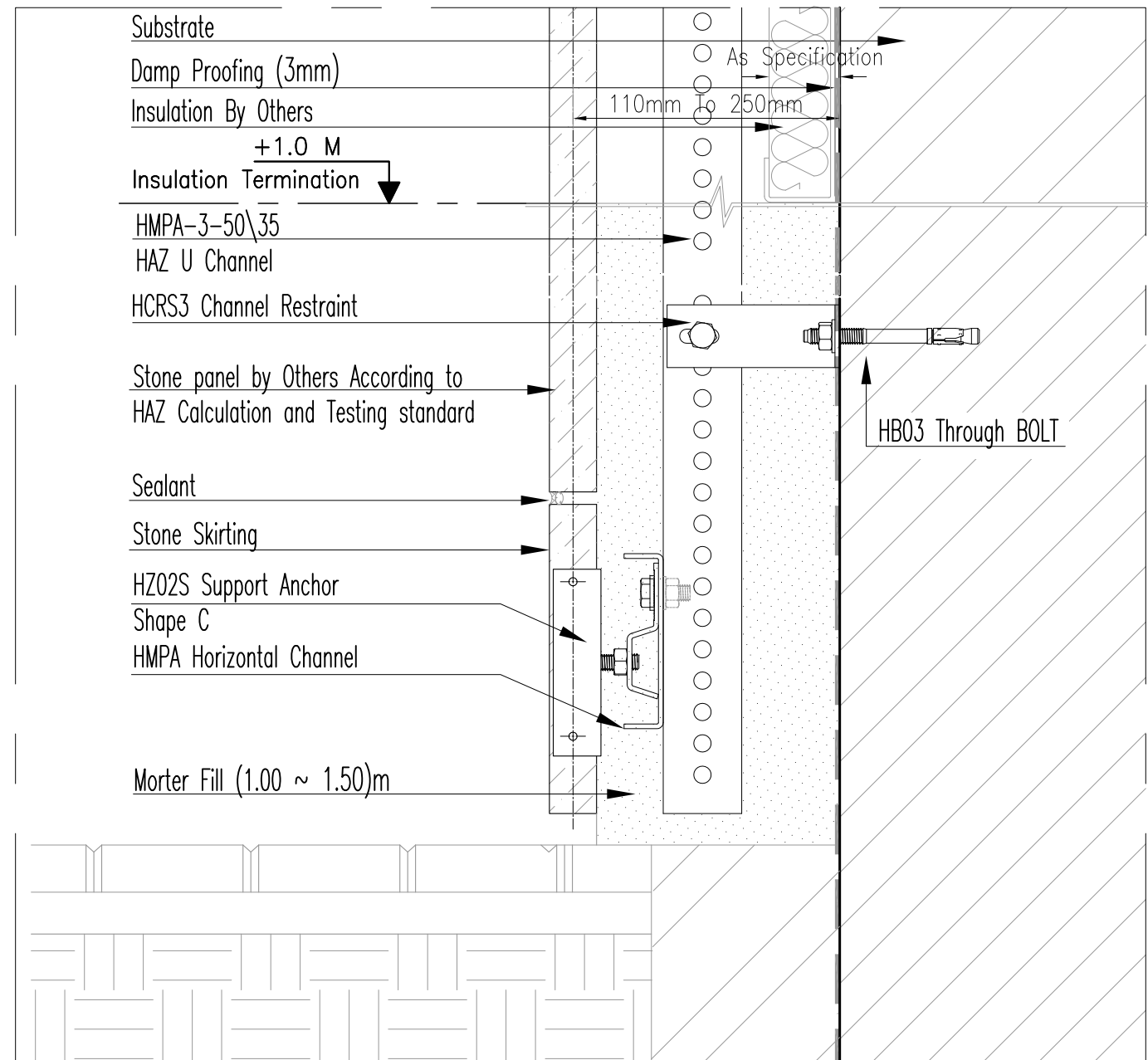
Elevation Scale 1:50



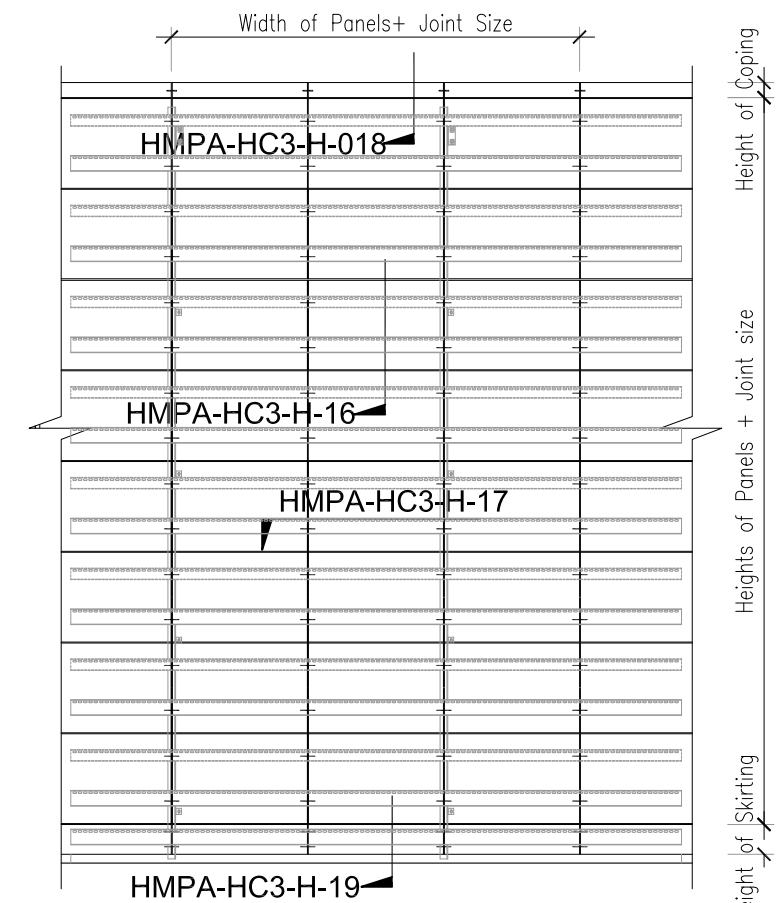
Title :		Vertical Joint Installation - Stone Coping - Vertical Section			
Drawing No.		HAZCD-HMPA-HC3-H-ST-18			
Series		Concept Drawings - Natural Stone Fixing System - HMP Sub Channel System			
Revision	01	Scale	As Shown	Paper Size: A3	Page : 18/20

HAZ METAL Sanayi ve Ticaret A.S
PO Box 241 31200 Iskenderun / Turkey
Tel: +90 326 6262050 Faks: 6262045
info@hazmetal.com / www.hazmetal.com.

HMPA-HC3-H SUB CHANNEL SYSTEM



Vertical section Scale 1:4



Elevation Scale 1:50

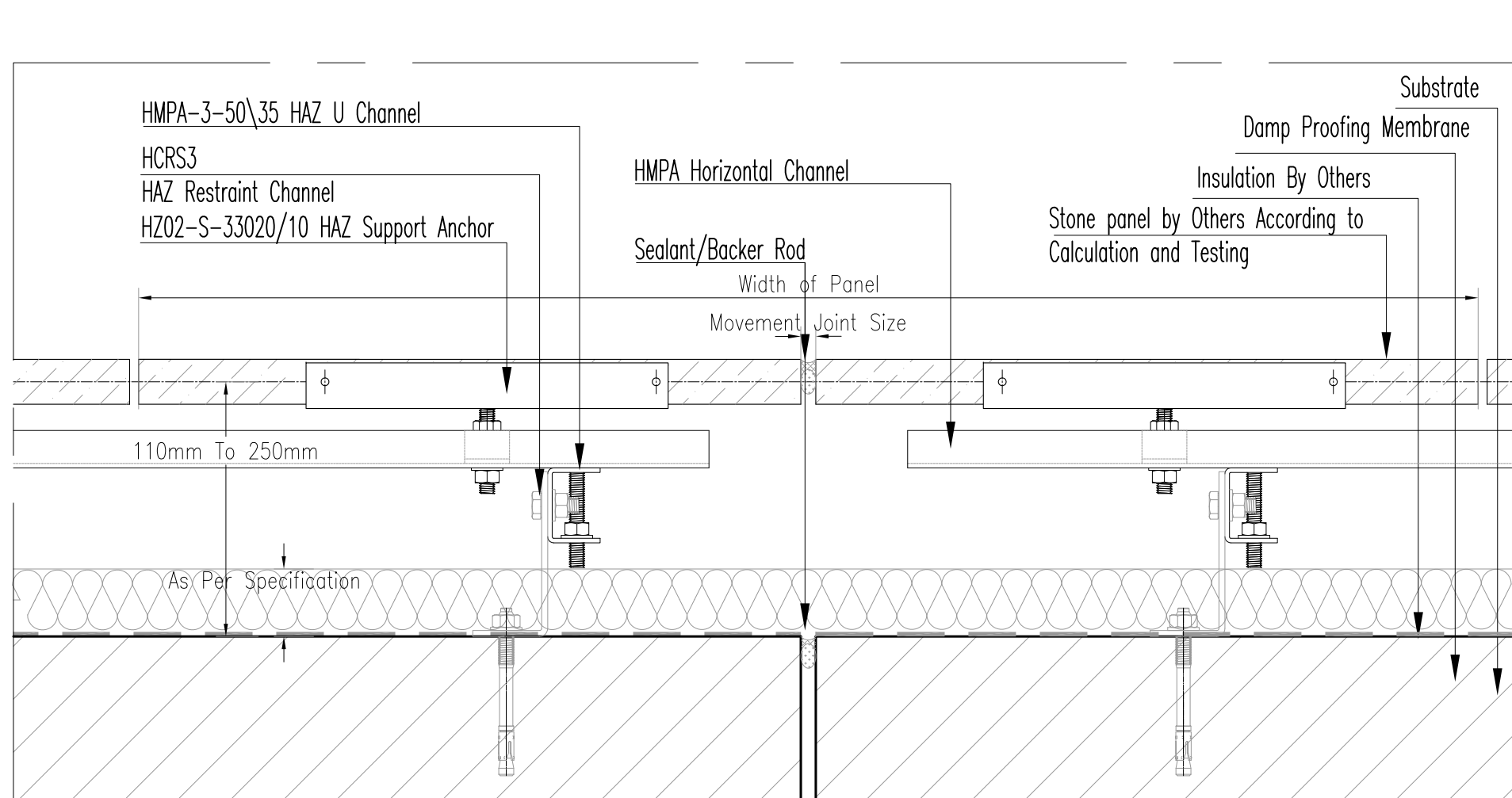


Title :		Vertical Joint Installation - Stone Skirting - Vertical Section			
Drawing No.		HAZCD-HMPA-HC3-H-ST-19			
Series		Concept Drawings - Natural Stone Fixing System - HMP Sub Channel System			
Revision		01	Scale	As Shown	Paper Size: A3
					Page : 19/20

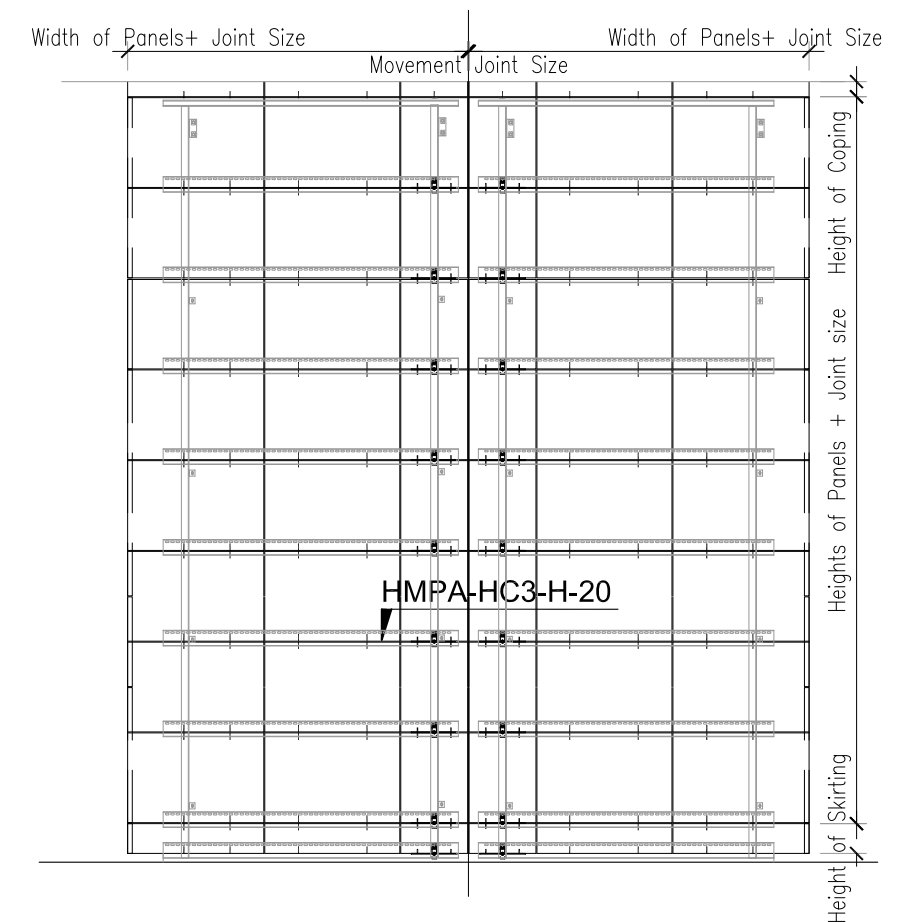
HAZ METAL Sanayi ve Ticaret A.S
PO Box 241 31200 Iskenderun / Turkey
Tel: +90 326 6262050 Faks: 6262045
info@hazmetal.com / www.hazmetal.com.

HMPA-HC3-H

SUB CHANNEL SYSTEM



Horizontal section Scale 1:4



Variation on Typical Elevation
Scale 1:50



HAZ METAL Sanayi ve Ticaret A.S
PO Box 241 31200 Iskenderun / Turkey
Tel: +90 326 6262050 Faks: 6262045
info@hazmetal.com / www.hazmetal.com.

Title :		Horizontal Joint Installation - Typical Stone Claddings - Movement Joint - Horizontal Section			
Drawing No.		HAZCD-HMPA-HC3-H-ST-20			
Series		Concept Drawings - Natural Stone Fixing System - HMP Sub Channel System			
Revision	01	Scale	As Shown	Paper Size: A3	Page : 20/20