

HAZ METAL
FIXING SYSTEMS

ATS

SUB CHANNEL SYSTEM

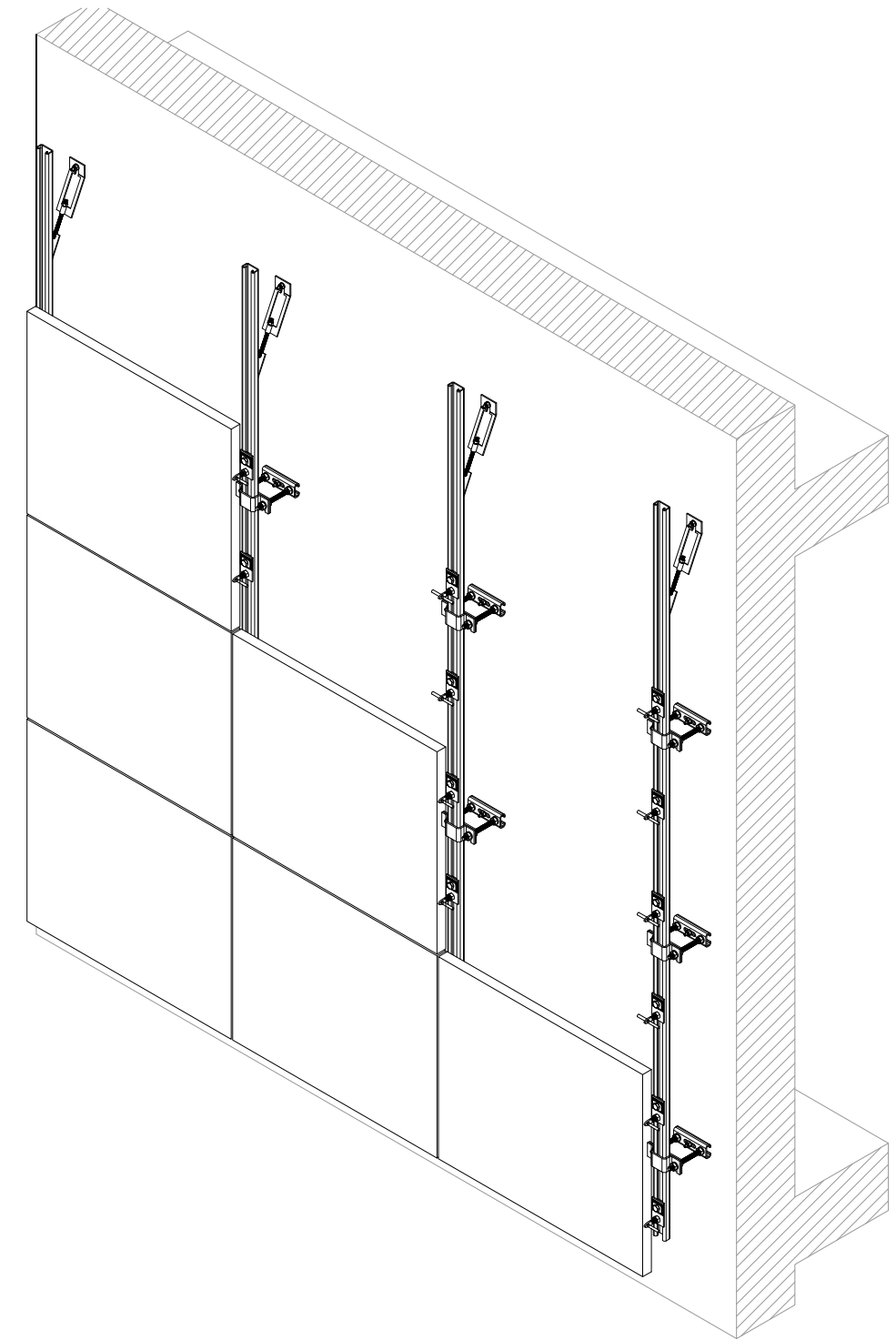
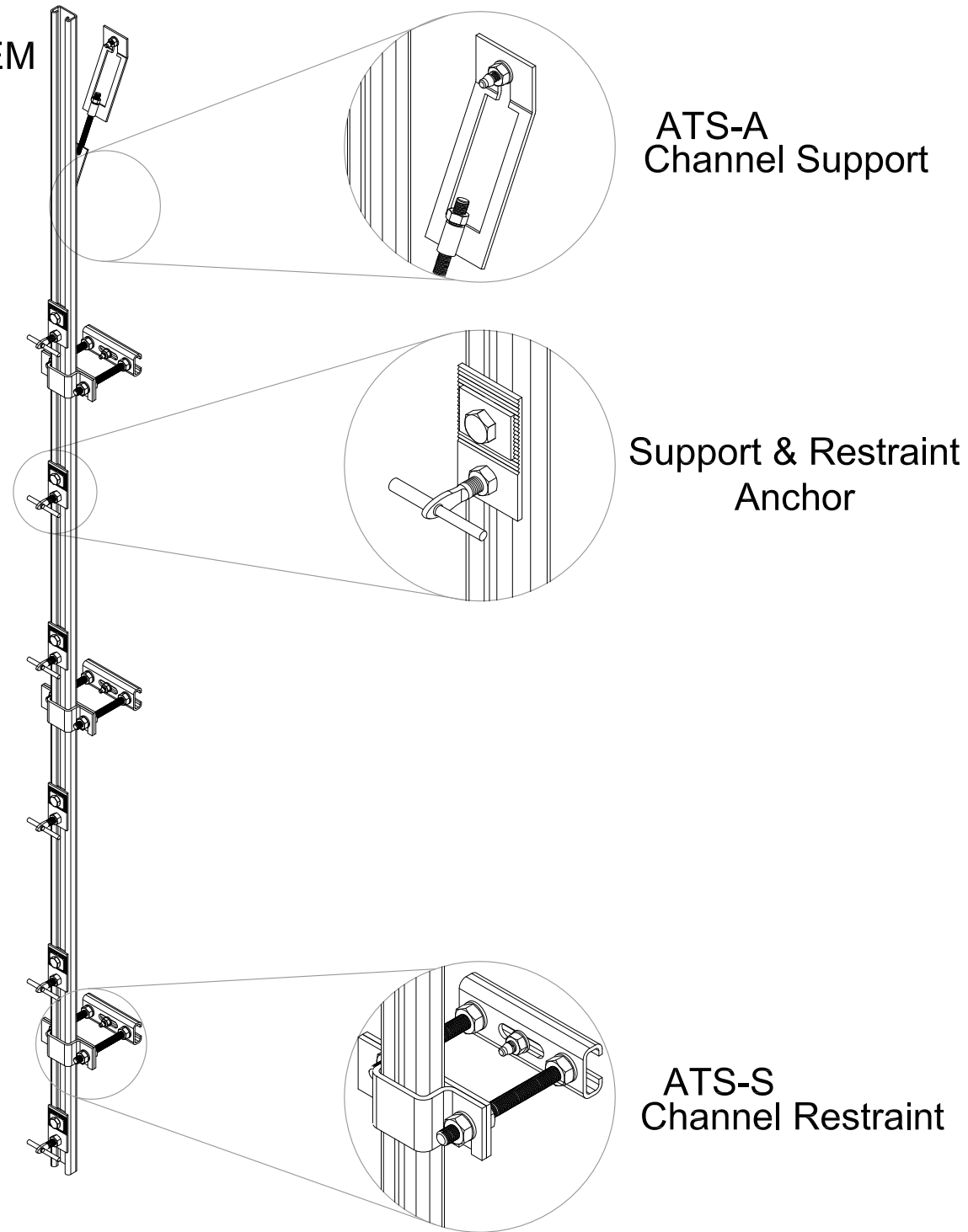
Concept Drawings

Series: HAZCD-ATS-AT

Steel Support System For Rain Screen
Stone Cladding System for Installation at
Vertical and Horizontal Joints



ATS SUB CHANNEL SYSTEM



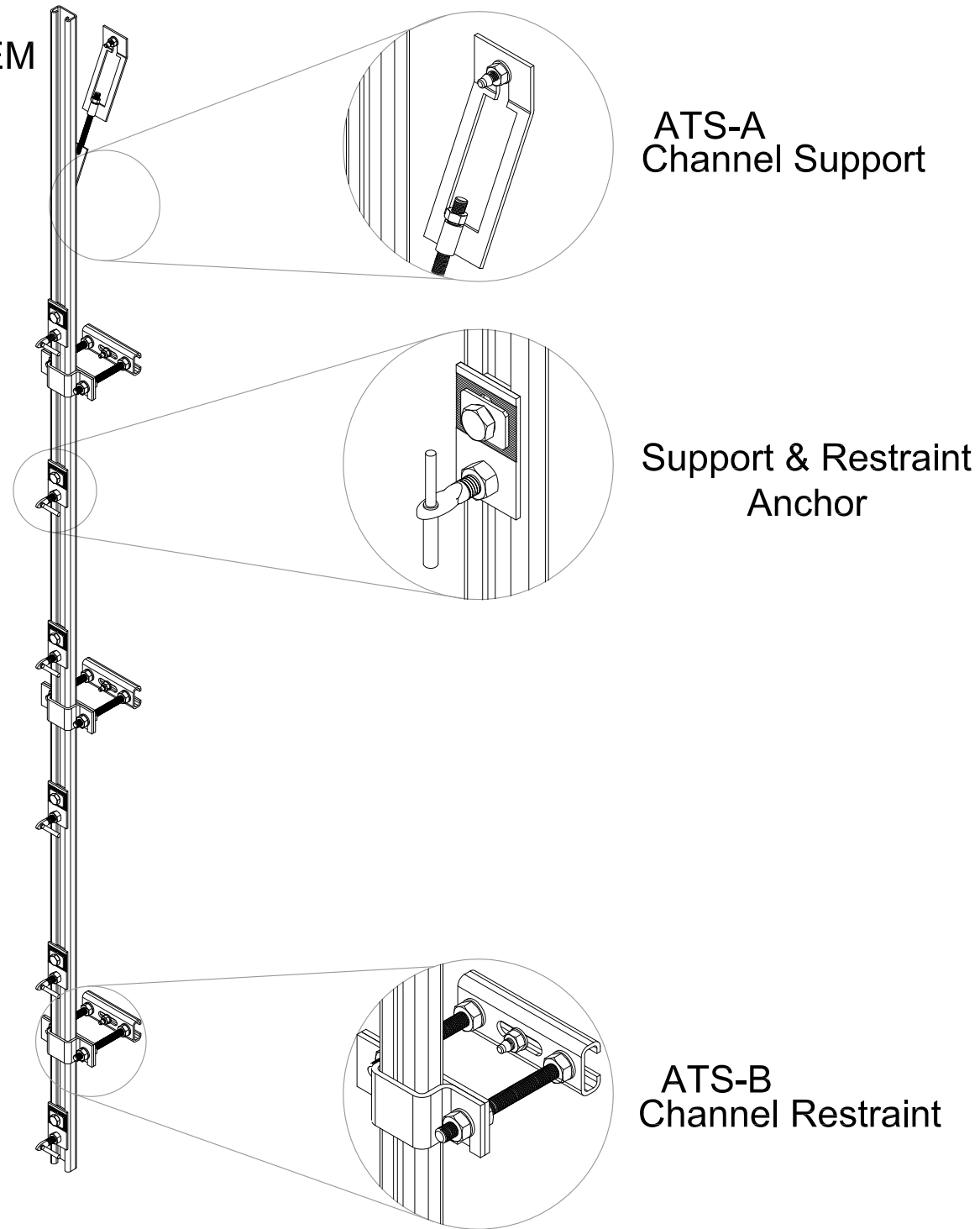
ISOMETRIC VIEW



HAZ METAL Sanayi ve Ticaret A.S
PO Box 241 31200 Iskenderun / Turkey
Tel: +90 326 6262050 Faks: 6262045
info@hazmetal.com / www.hazmetal.com.

Title :		Natural Stone Facade - Built-up Cavity Wall - ATS Vertical Joint installation -Isometric				
Drawing No.		HAZCD-ATS-AT-01				
Series		Concept Drawings - Natural Stone Fixing System - HMP Sub Channel System				
Revision		01	Scale	As Shown	Paper Size: A3	Page : 1/17

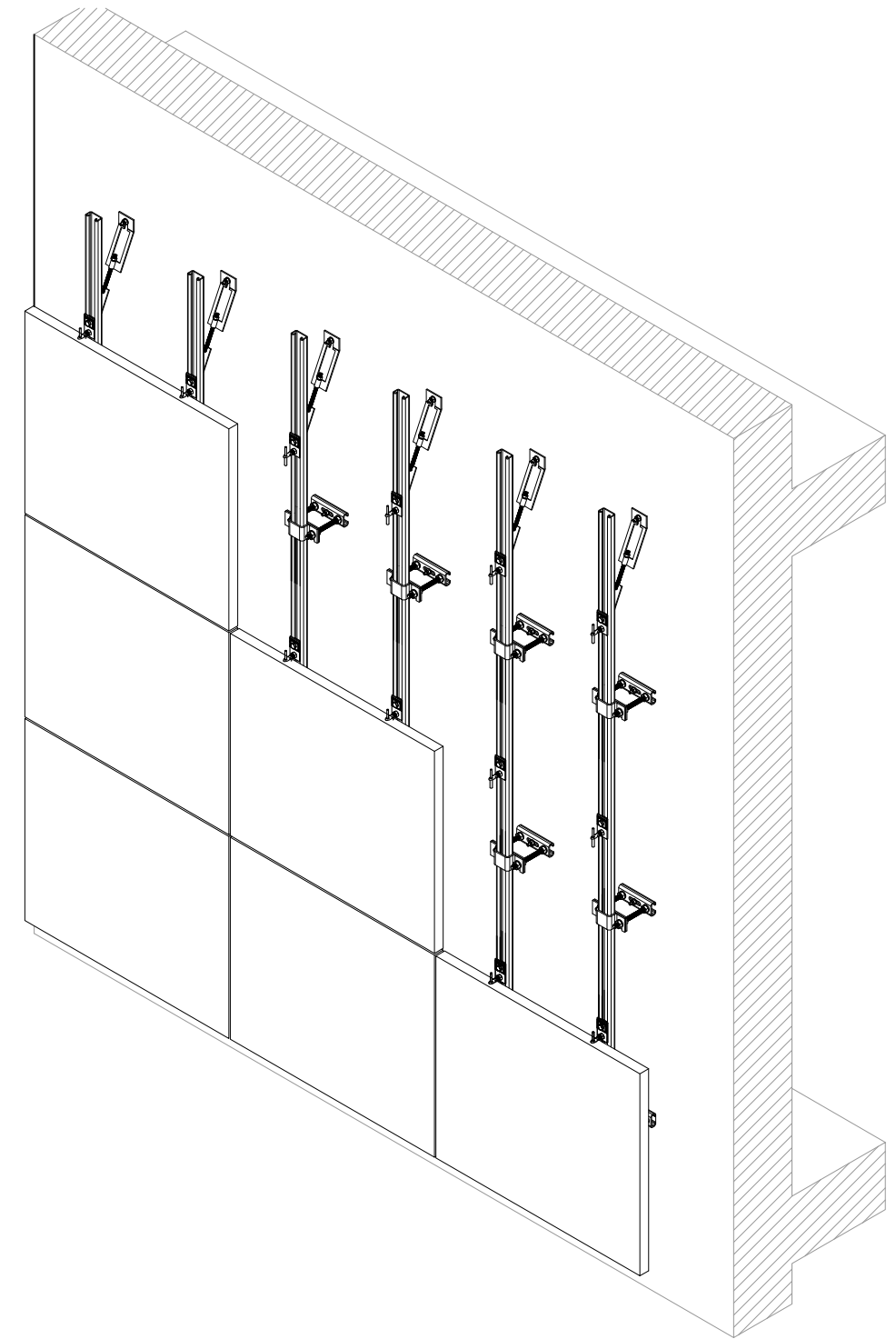
ATS SUB CHANNEL SYSTEM



ATS-A
Channel Support

Support & Restraint
Anchor

ATS-B
Channel Restraint



ISOMETRIC VIEW

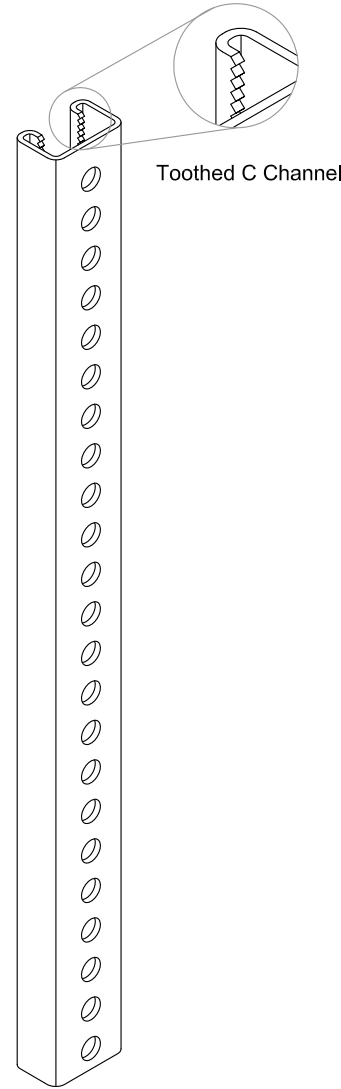


HAZ METAL Sanayi ve Ticaret A.S
PO Box 241 31200 Iskenderun / Turkey
Tel: +90 326 6262050 Faks: 6262045
info@hazmetal.com / www.hazmetal.com.

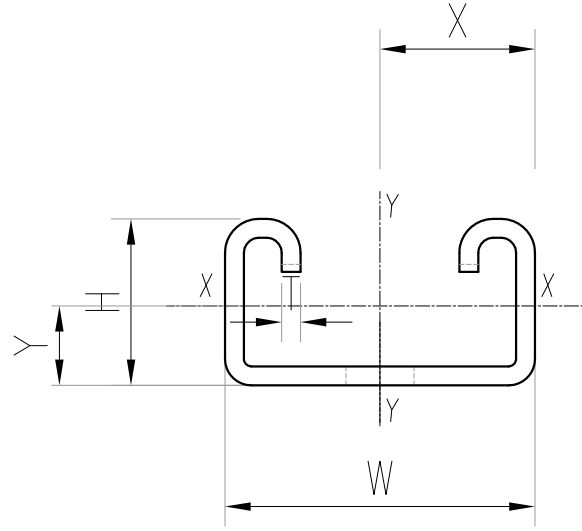
Title :	Natural Stone Facade - Built-up Cavity Wall - ATS Horizontal joint installation - Isometric				
Drawing No.	HAZCD-ATS-AT-02				
Series	Concept Drawings - Natural Stone Fixing System - HMP Sub Channel System				
Revision	01	Scale	As Shown	Paper Size: A3	Page : 2/17

HMPS

SUB CHANNEL SYSTEM



ISOMETRIC VIEW



Horizontal Section

Product Code	Technical Details								
	Dimensions			X-X Axis			Y-Y Axis		
	Thickness T(mm)	Width W(mm)	Height H(mm)	IXX (cm ⁴)	ZX (cm ³)	X (mm)	IYY (cm ⁴)	ZY (cm ³)	Y (mm)
HMPS-2.5-41/22	2.50	41.00	21.00	1.25	0.99	20.50	5.60	2.72	8.16
HMPS-2.5-41/41	2.50	41.00	41.00	7.92	3.62	20.50	9.40	4.58	19.02
HMPS-3-41/22	3.00	41.00	21.00	1.69	1.43	20.50	6.94	3.40	9.16
HMPS-3-41/41	3.00	41.00	41.00	9.40	4.20	20.50	11.30	5.50	18.80

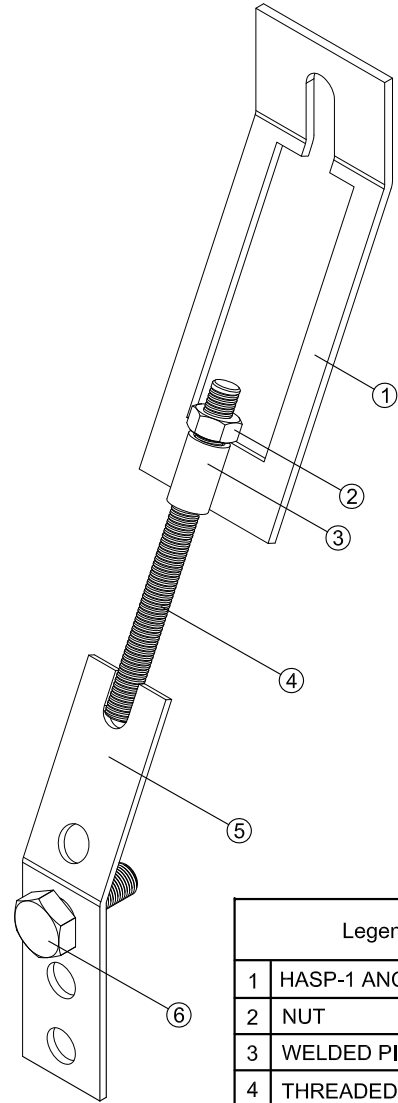


HAZ METAL Sanayi ve Ticaret A.S
 PO Box 241 31200 Iskenderun / Turkey
 Tel: +90 326 6262050 Faks: 6262045
 info@hazmetal.com / www.hazmetal.com.

Title :		Natural Stone Facade - Built-up Cavity Wall - HMPS Specification								
Drawing No.		HAZCD-ATS-AT-03								
Series		Concept Drawings - Natural Stone Fixing System - HMP Sub Channel System								
Revision		01	Scale		As Shown	Paper Size:		A3	Page :	3/17

ATS-A

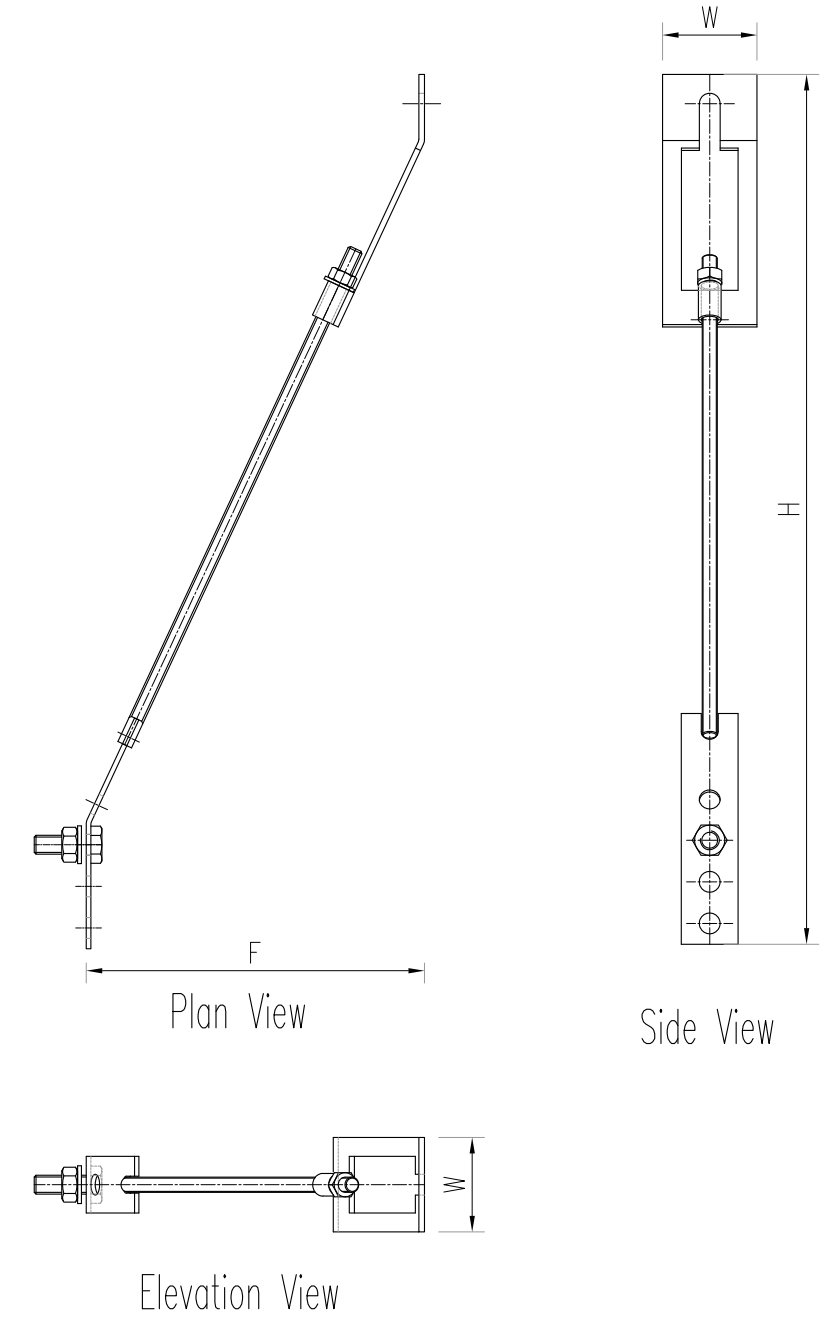
Channel Support



Legend	
1	HASP-1 ANCHOR
2	NUT
3	WELDED PIPE
4	THREADED ROD
5	HASP-2 ANCHOR
6	BOLT SET

ISOMETRIC VIEW

Product Code	Technical Details						
	Width W(mm)	Height H(mm)	Forming F (mm)	Hex Screw (mm)	EXP. Bolt (mm)	Max Load (KN)	Max Wind Load(KN)
ATS-A-100	50	290	100	M12X40	M12X110	4500	3000
ATS-A-140	50	375	140				
ATS-A-180	50	460	180				
ATS-A-220	50	550	220				
ATS-A-260	50	635	260				
ATS-A-300	50	710	300				

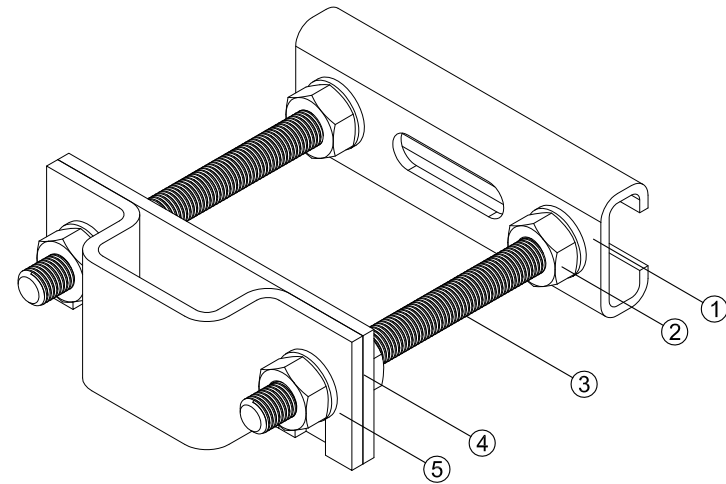


HAZ METAL Sanayi ve Ticaret A.S
 PO Box 241 31200 Iskenderun / Turkey
 Tel: +90 326 6262050 Faks: 6262045
 info@hazmetal.com / www.hazmetal.com.

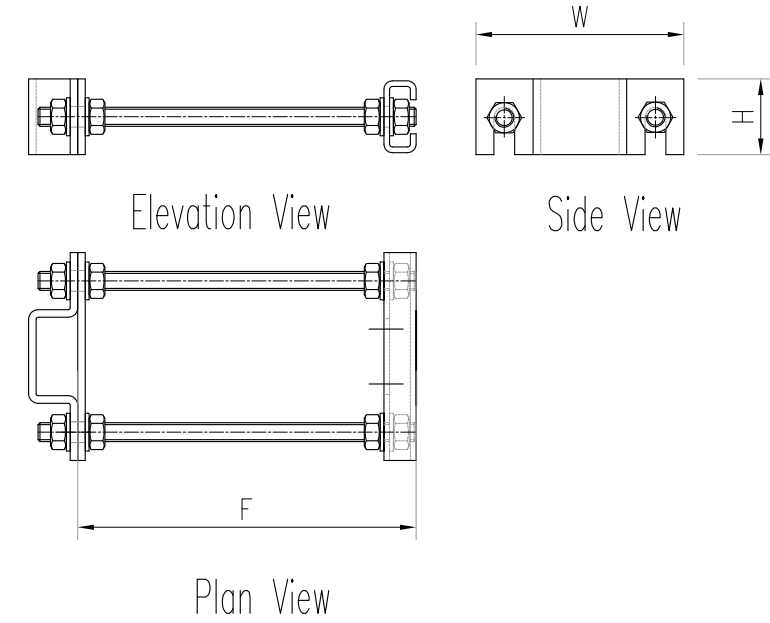
Title :		Natural Stone Facade - Built-up Cavity Wall - ATS System - ATS-A Specification					
Drawing No.	HAZCD-ATS-AT-04						
Series	Concept Drawings - Natural Stone Fixing System - HMP Sub Channel System						
Revision	01	Scale	As Shown	Paper Size:	A3	Page :	4/17

ATS-S

Channel Restraint



ISOMETRIC VIEW



Legend	
1	HMPB CHANNEL
2	8 NO'S NUT
3	2 NO'S THREADED ROD
4	PLATE
5	HZSP ANCHOR

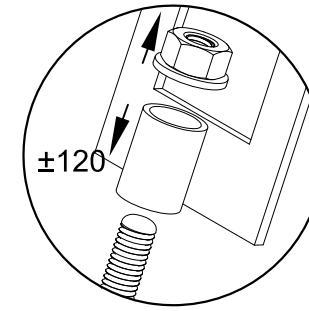
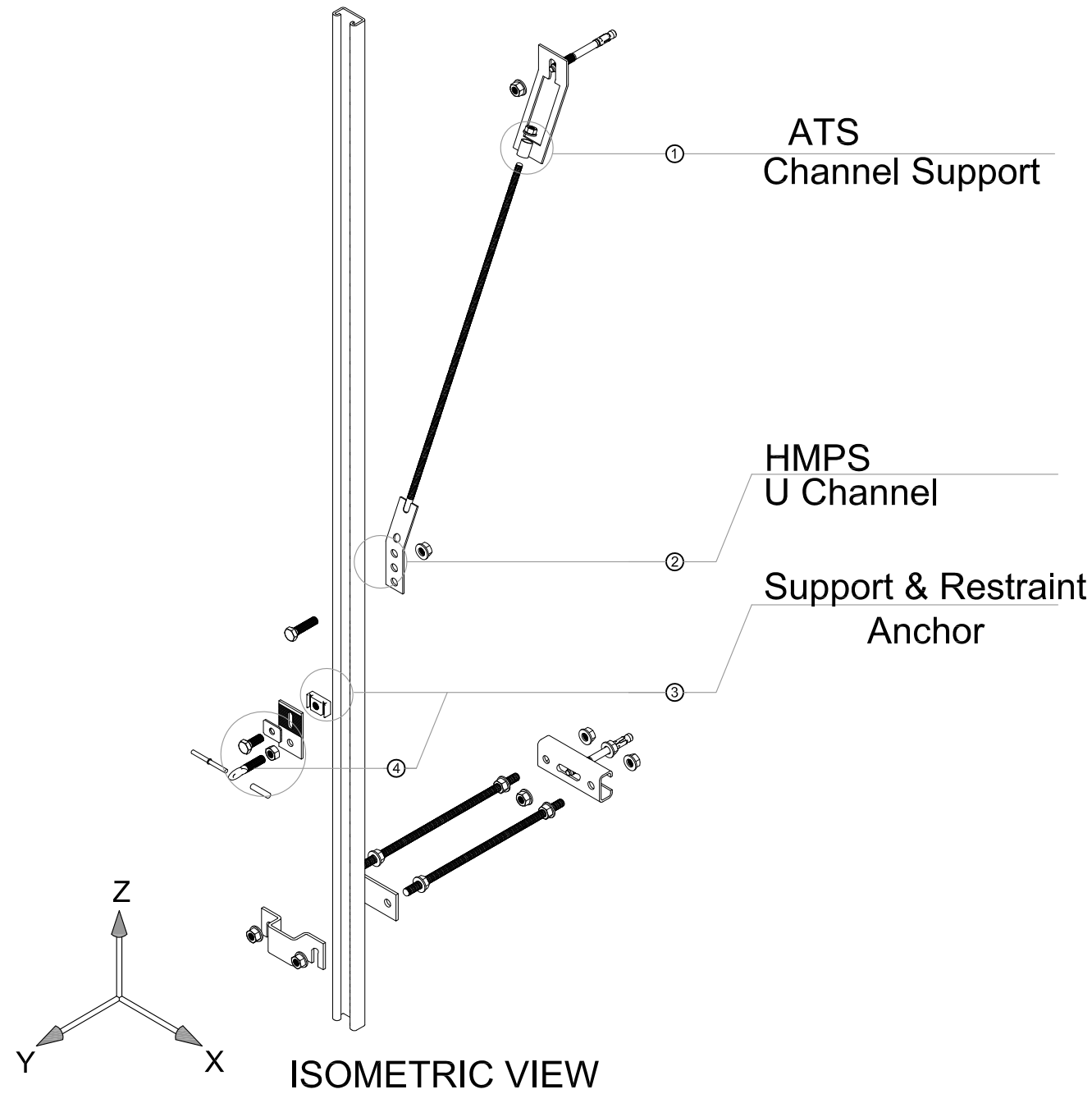
Product Code	Technical Details					
	Width W(mm)	Height H(mm)	Forming F (mm)	EXP. Bolt (mm)	Max Load (KN)	Max Wind Load(KN)
ATS-S-100	40	110	125	M10X120	4500	3000
ATS-S-140			165	M10X160		
ATS-S-180			205	M10X200		
ATS-S-220			245	M10X240		
ATS-S-260			285	M10X280		
ATS-S-300			325	M10X320		



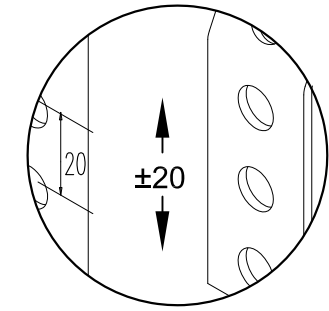
Title :		Natural Stone Facade - Built-up Cavity Wall - ATS System- ATS-S Specification				
Drawing No.		HAZCD-ATS-AT-05				
Series		Concept Drawings - Natural Stone Fixing System - HMP Sub Channel System				
Revision		01	Scale	As Shown	Paper Size: A3	Page : 5/17

HAZ METAL Sanayi ve Ticaret A.S
 PO Box 241 31200 Iskenderun / Turkey
 Tel: +90 326 6262050 Faks: 6262045
 info@hazmetal.com / www.hazmetal.com.

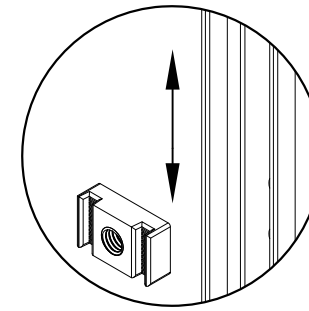
ATS SUB CHANNEL SYSTEM



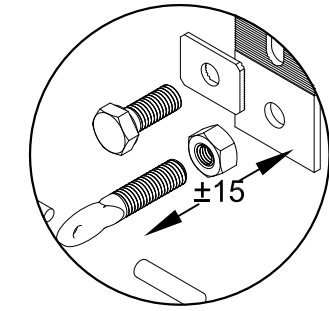
- ① The Adjustability on the Z&Y axes are Provided by moving Threaded Rod in&out Welded Pipe ± 120 mm .



- ② Adjustment of the ATS Support Up and Down on the Z Axis is provided by Holes in 20 mm increment.



- ③ Adjustment of the anchor Up and Down on the Z Axis is provided by slotted Channel.



- ④ Adjustment of the Projection size on the Y Axis is provided by rotating the adjustable arm ± 15 mm.

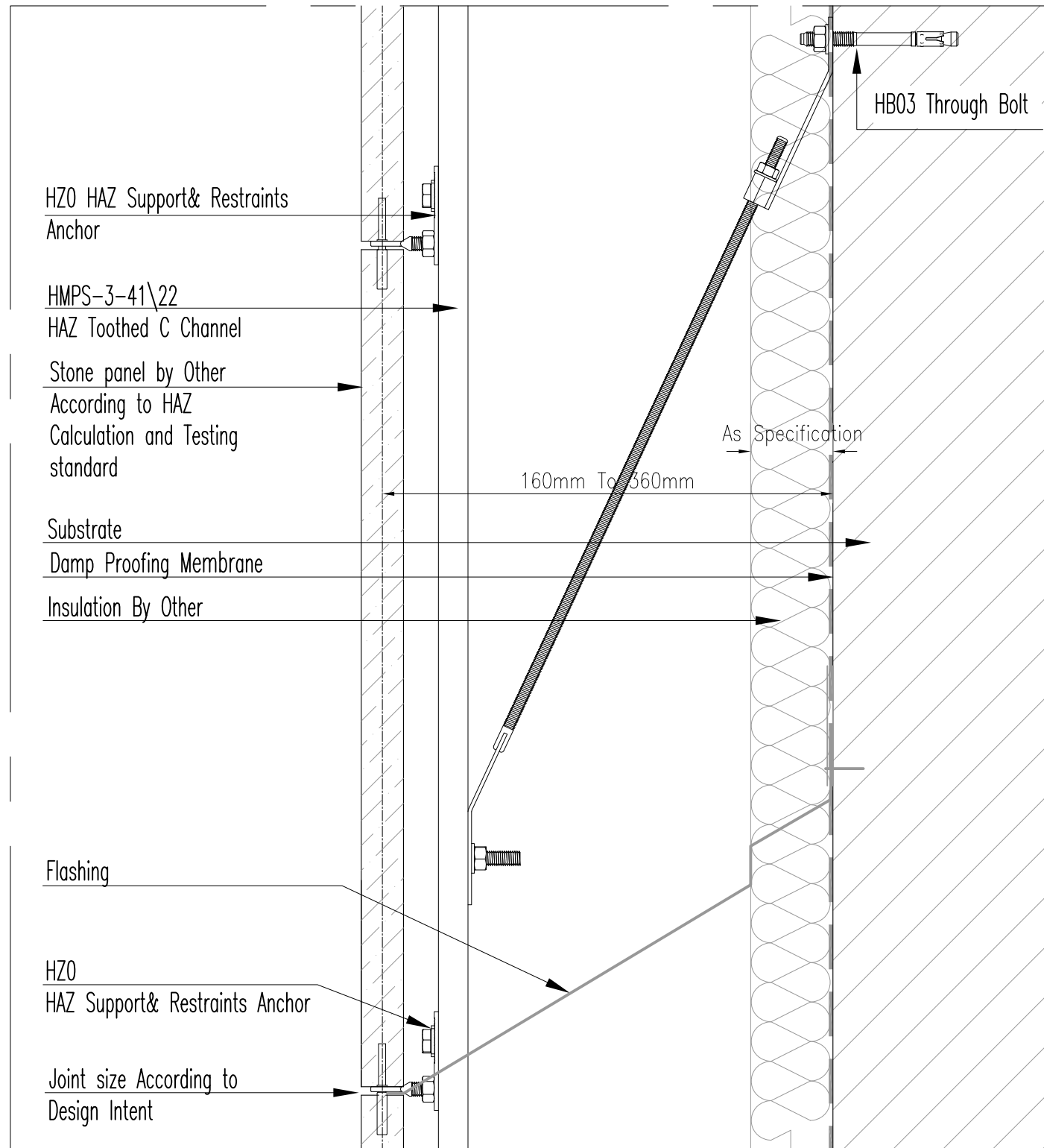
Note: For Further Dimension Refer to Each Items Details Drawings.



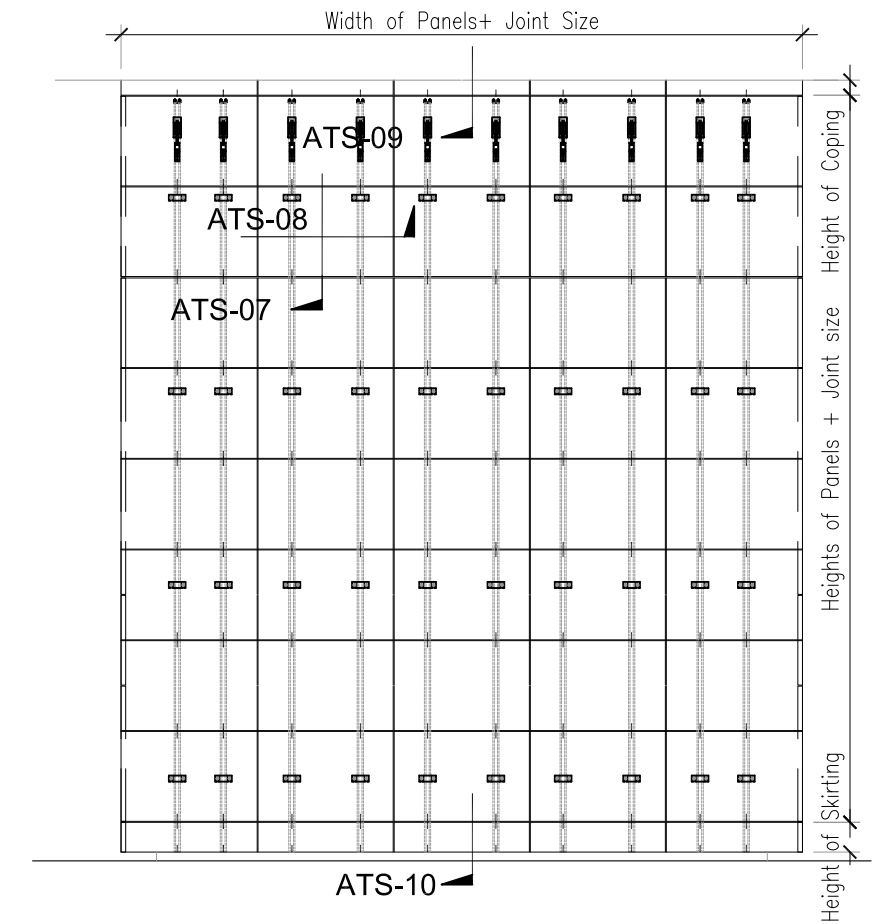
HAZ METAL Sanayi ve Ticaret A.S
PO Box 241 31200 Iskenderun / Turkey
Tel: +90 326 6262050 Faks: 6262045
info@hazmetal.com / www.hazmetal.com.

Title : Natural Stone Facade - Built-up Cavity Wall - ATS System- Adjustability					
Drawing No.		HAZCD-ATS-AT-06			
Series		Concept Drawings - Natural Stone Fixing System - HMP Sub Channel System			
Revision	01	Scale	As Shown	Paper Size: A3	Page : 6/17

ATS SUB CHANNEL SYSTEM



Vertical section Scale 1:4



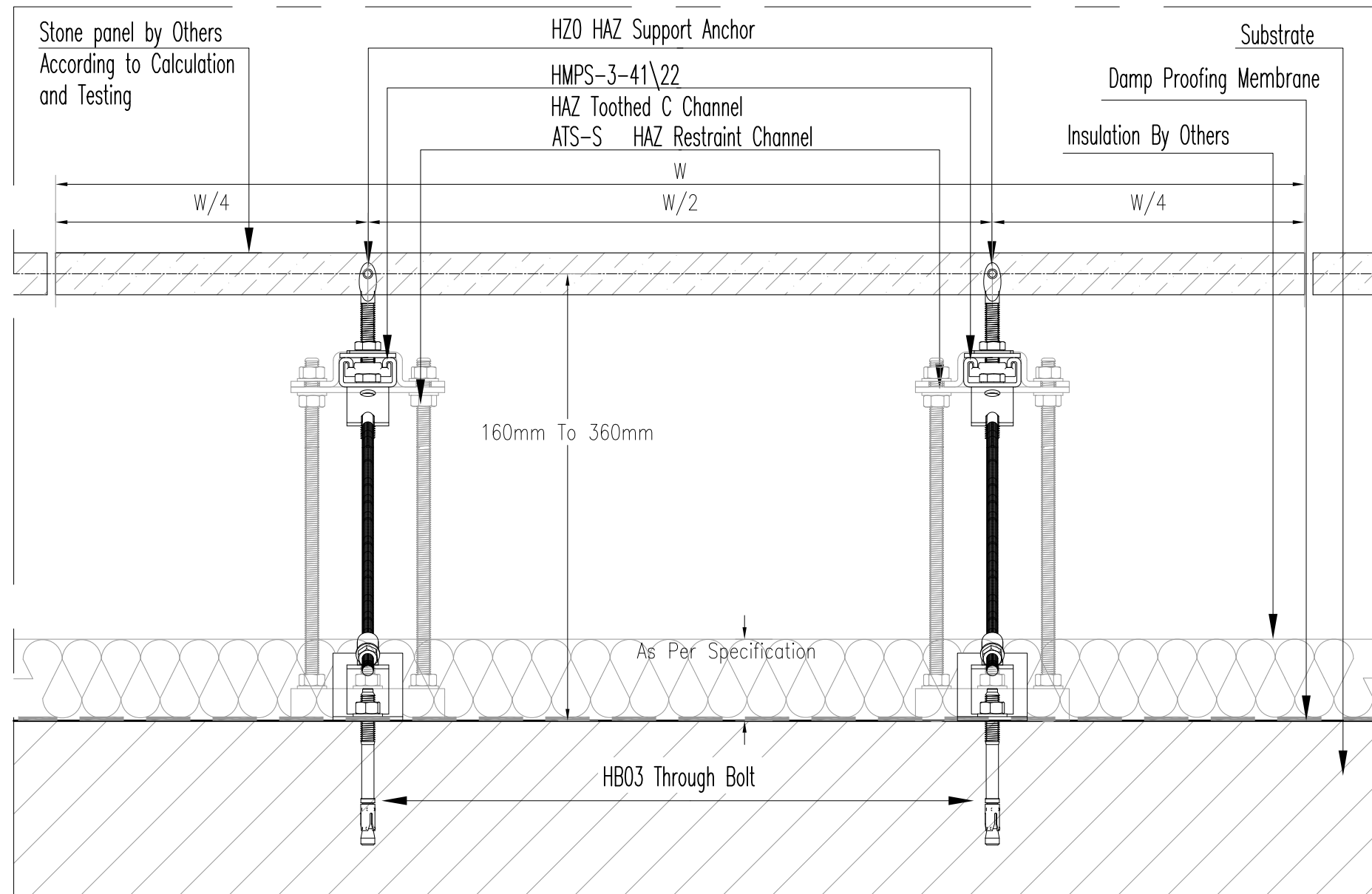
Elevation Scale 1:50



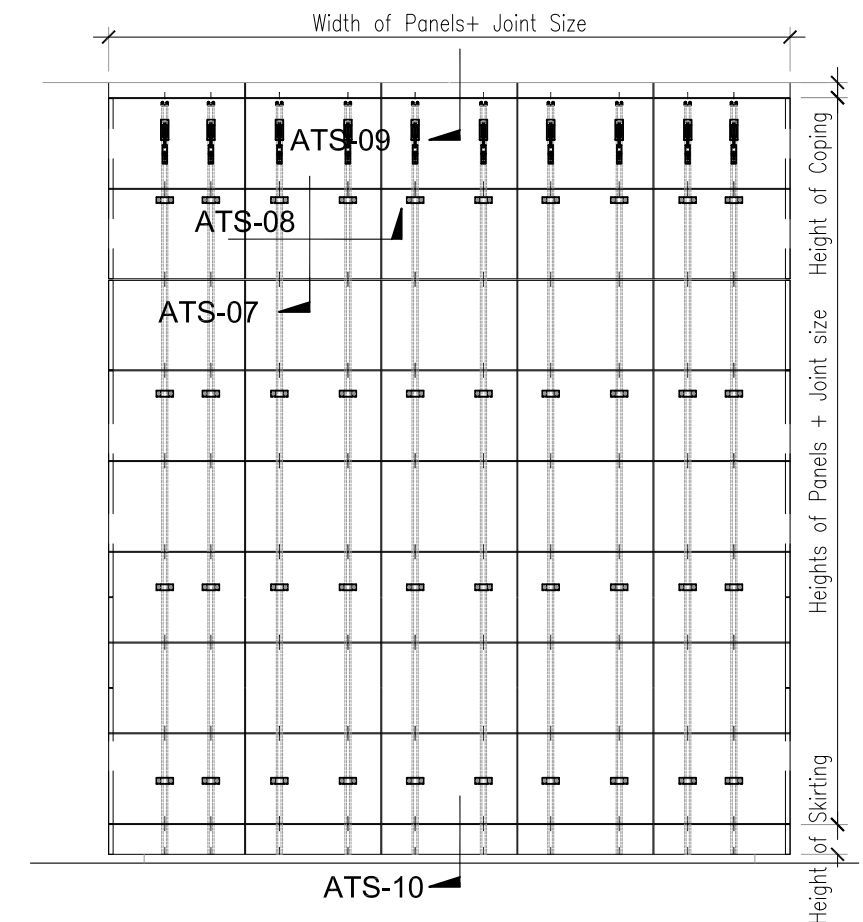
Title :		Horizontal Joint Installation - Typical Stone Claddings - ATS System - Vertical Section				
Drawing No.		HAZCD-ATS-AT-07				
Series		Concept Drawings - Natural Stone Fixing System - HMP Sub Channel System				
Revision		01	Scale	As Shown	Paper Size: A3	Page : 7/17

HAZ METAL Sanayi ve Ticaret A.S
PO Box 241 31200 Iskenderun / Turkey
Tel: +90 326 6262050 Faks: 6262045
info@hazmetal.com / www.hazmetal.com.

ATS SUB CHANNEL SYSTEM



Horizontal section Scale 1:4



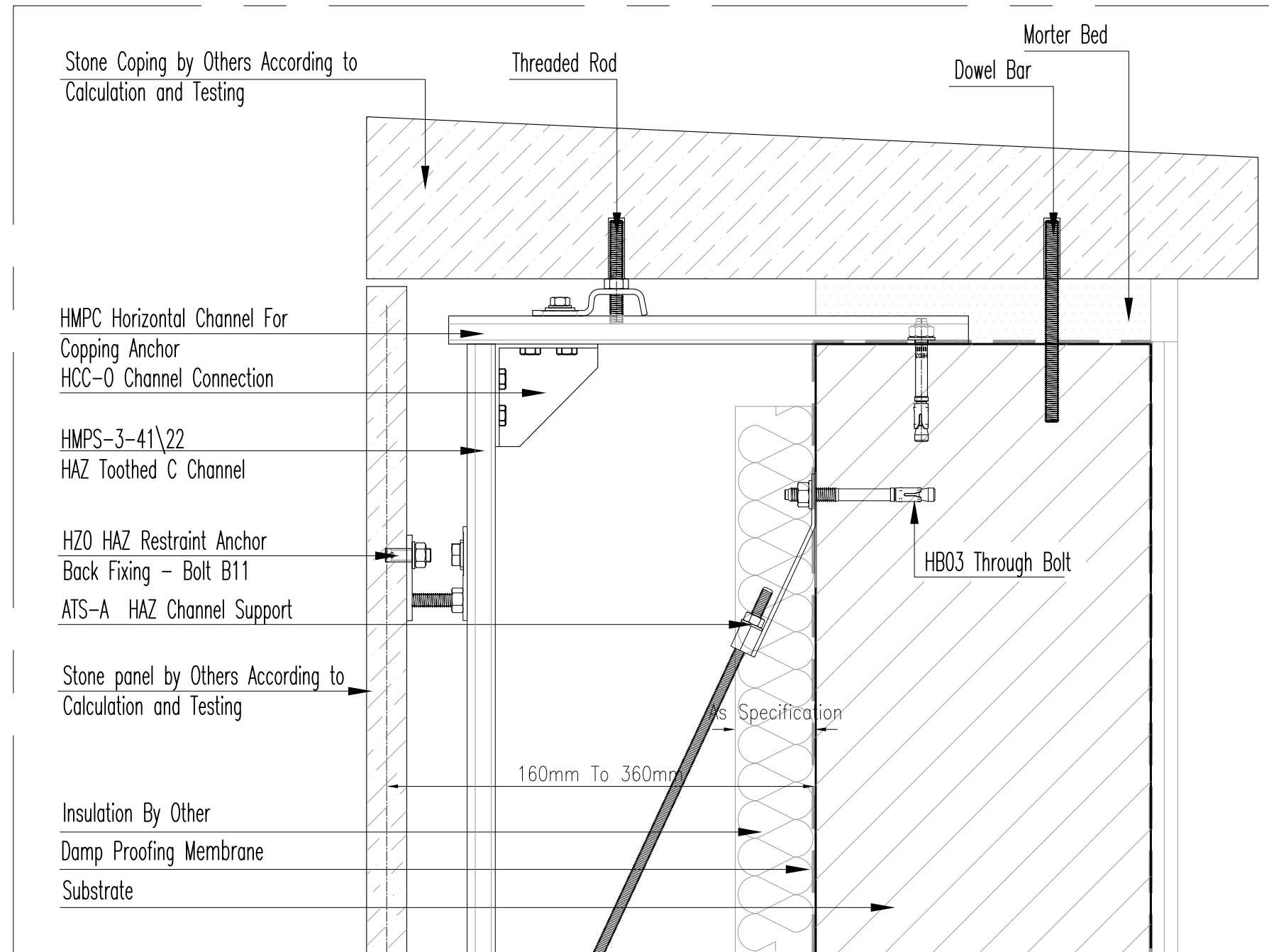
Elevation Scale 1:50



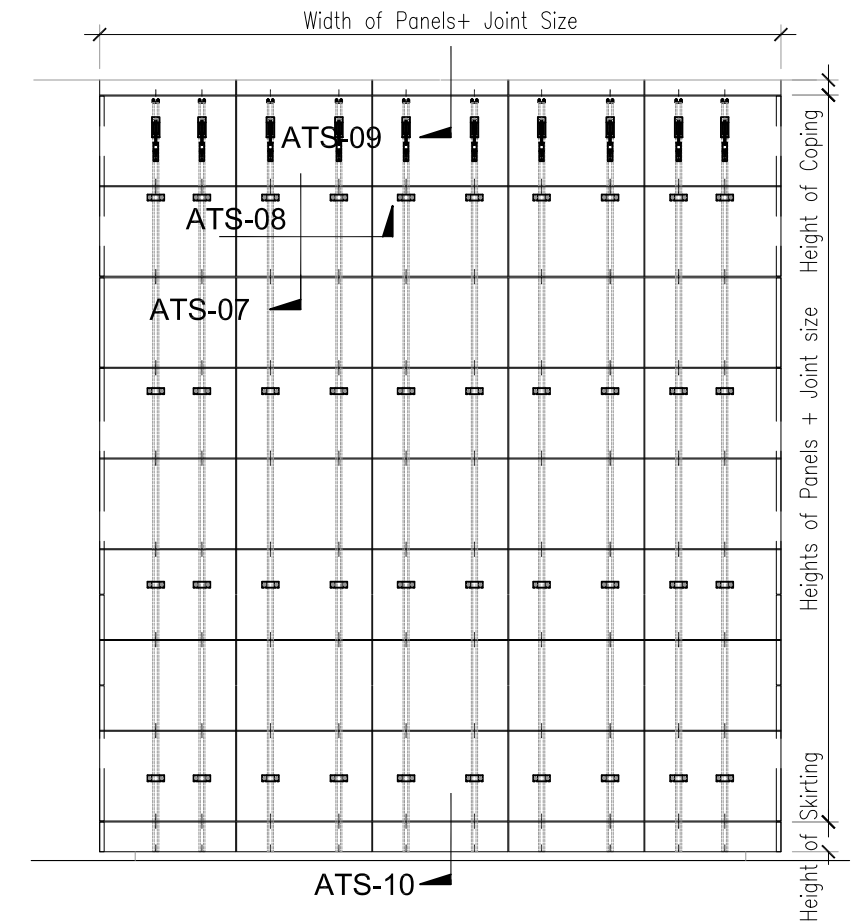
HAZ METAL Sanayi ve Ticaret A.S
PO Box 241 31200 Iskenderun / Turkey
Tel: +90 326 6262050 Faks: 6262045
info@hazmetal.com / www.hazmetal.com.

Title :		Vertical Joint Installation - Typical Stone Claddings - ATS System - Horizontal Section			
Drawing No.	HAZCD-ATS-AT-08				
Series	Concept Drawings - Natural Stone Fixing System - HMP Sub Channel System				
Revision	01	Scale	As Shown	Paper Size: A3	Page : 8/17

ATS SUB CHANNEL SYSTEM



Vertical section Scale 1:4



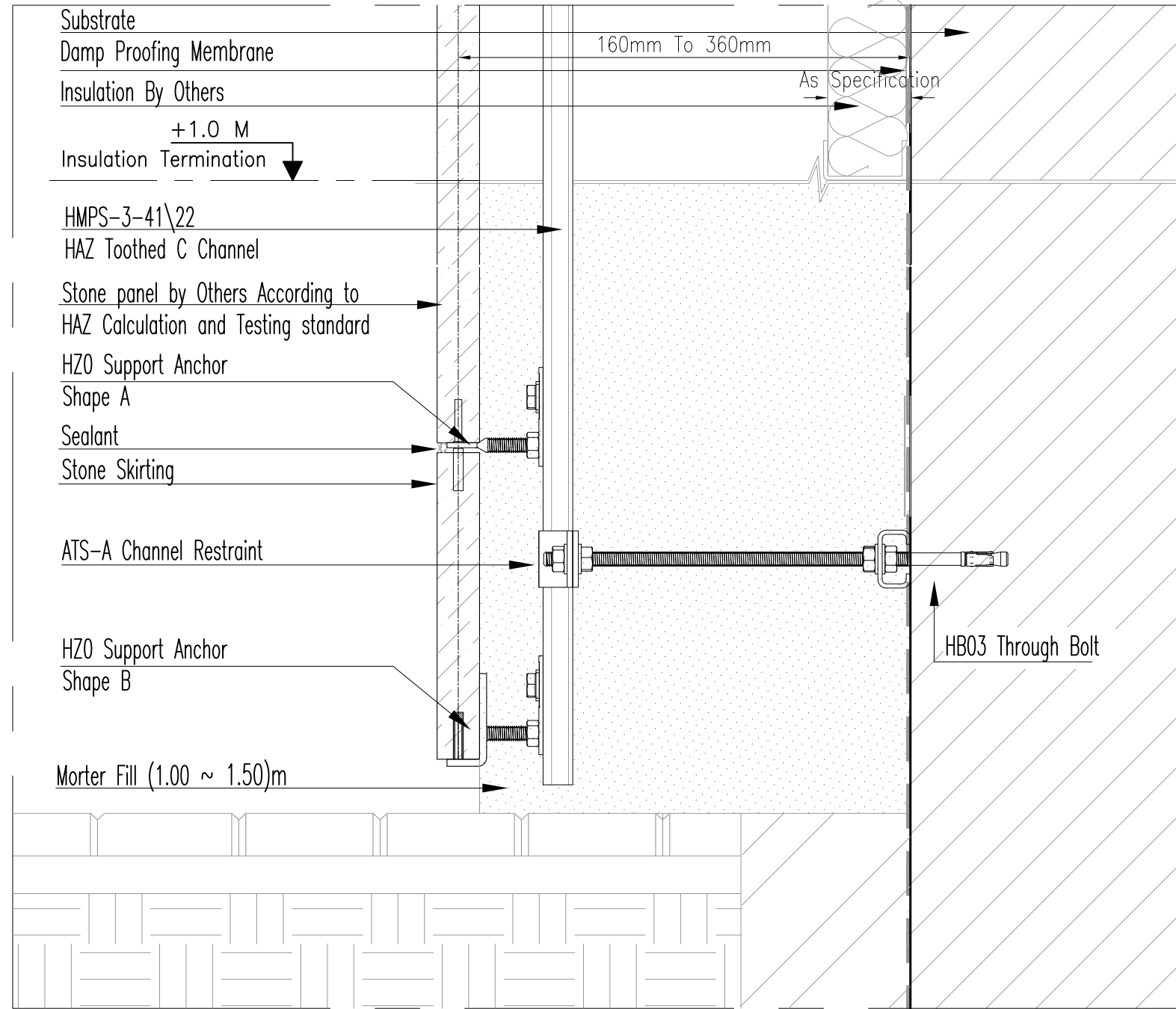
Elevation Scale 1:50



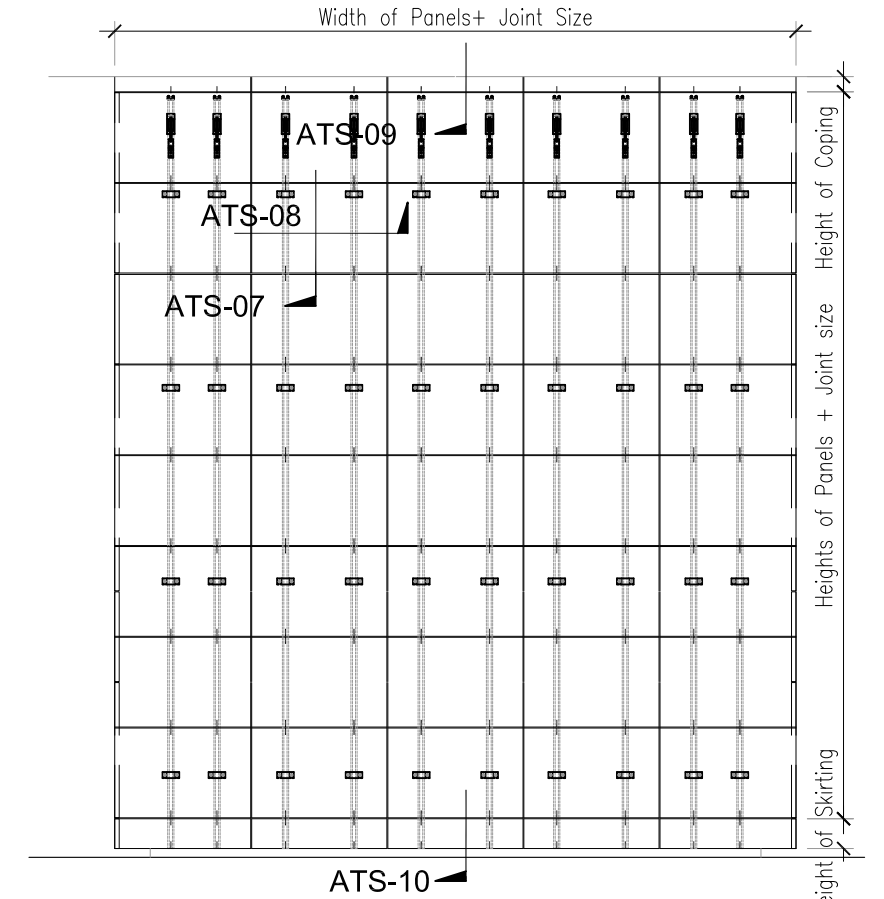
Title :		Horizontal Joint Installation - Stone Coping - Vertical Section			
Drawing No.		HAZCD-ATS-AT-09			
Series		Concept Drawings - Natural Stone Fixing System - HMP Sub Channel System			
Revision	01	Scale	As Shown	Paper Size: A3	Page : 9/17

HAZ METAL Sanayi ve Ticaret A.S
PO Box 241 31200 Iskenderun / Turkey
Tel: +90 326 6262050 Faks: 6262045
info@hazmetal.com / www.hazmetal.com.

ATS SUB CHANNEL SYSTEM



Vertical section Scale 1:4



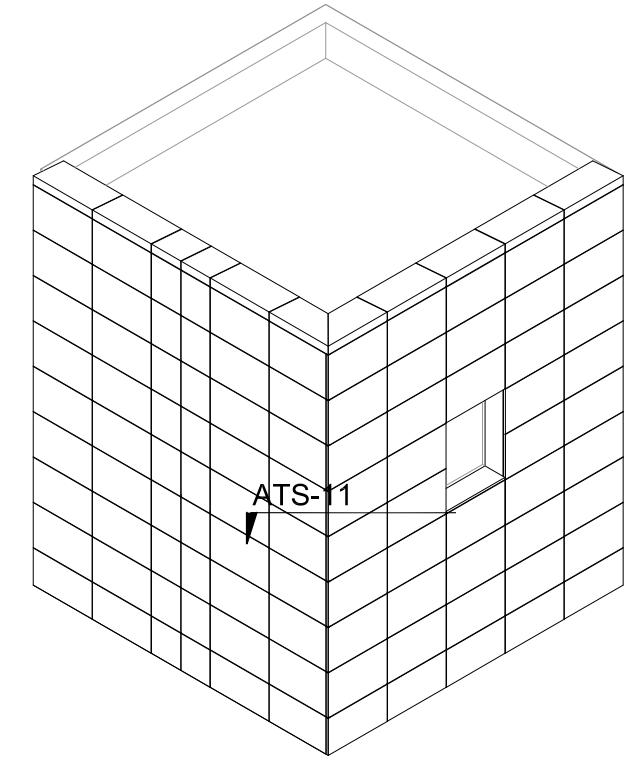
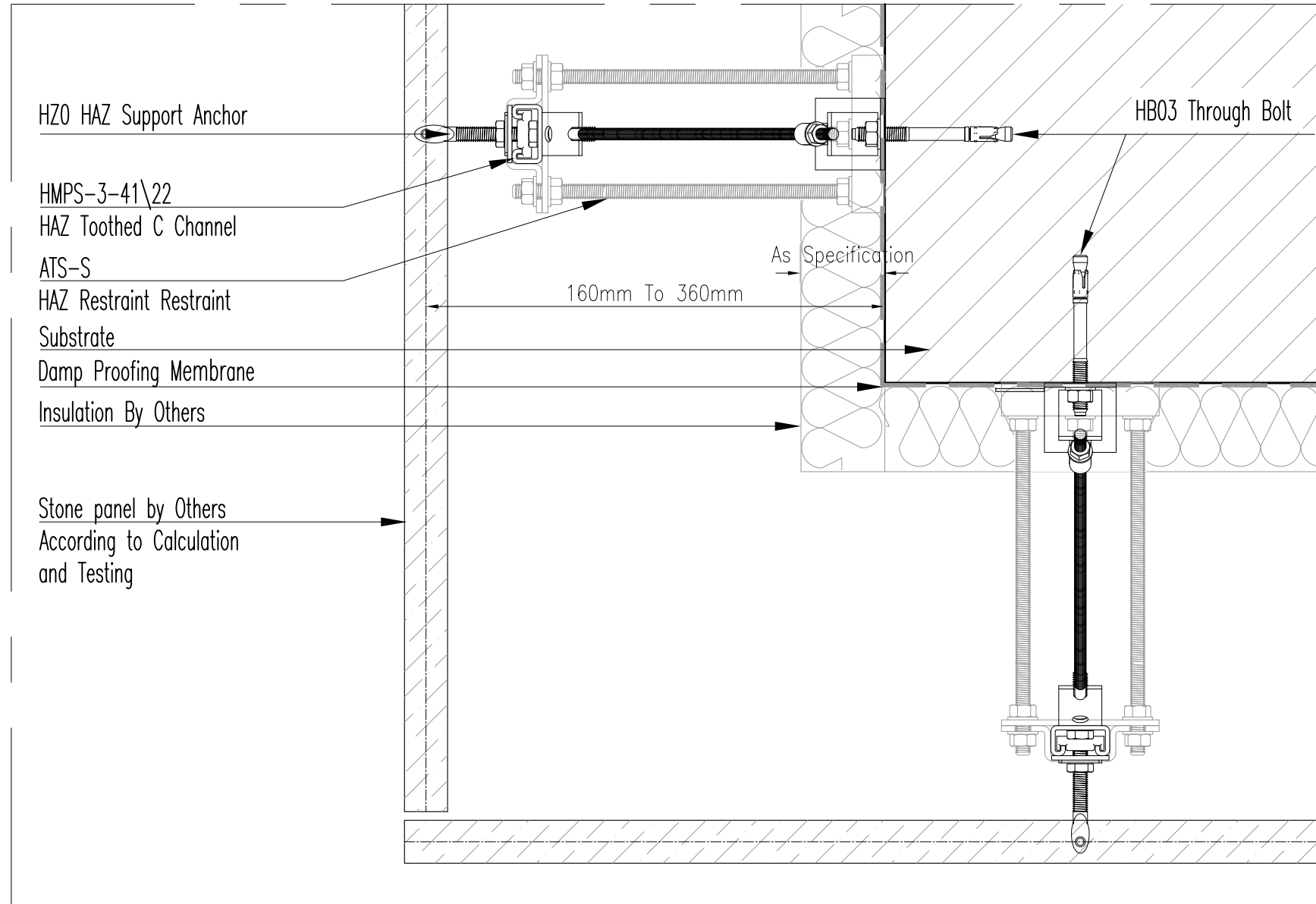
Elevation Scale 1:50



Title :		Horizontal Joint Installation - Stone Skirting - Vertical Section			
Drawing No.		HAZCD-ATS-AT-10			
Series		Concept Drawings - Natural Stone Fixing System - HMP Sub Channel System			
Revision		01	Scale	As Shown	Paper Size: A3
					Page : 10/17

HAZ METAL Sanayi ve Ticaret A.S
PO Box 241 31200 Iskenderun / Turkey
Tel: +90 326 6262050 Faks: 6262045
info@hazmetal.com / www.hazmetal.com.

ATS SUB CHANNEL SYSTEM



Isometric Scale 1:100

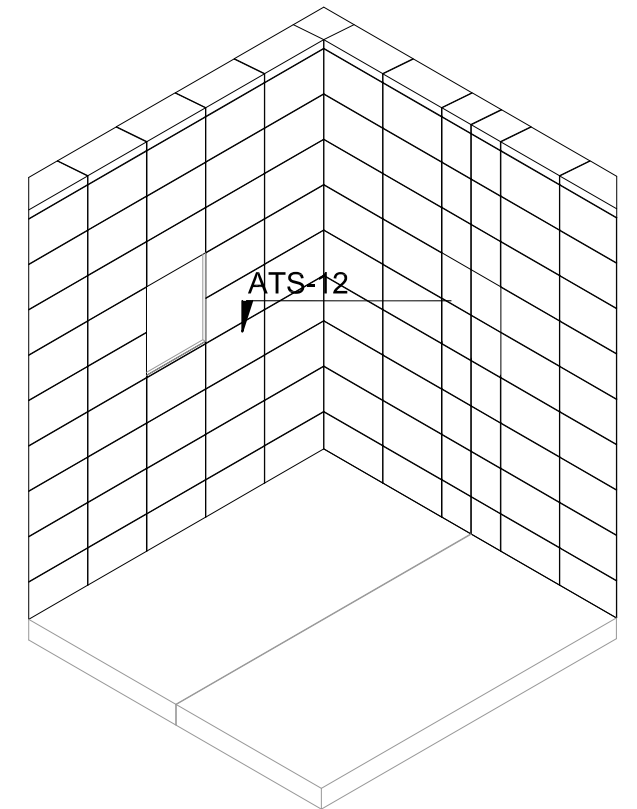
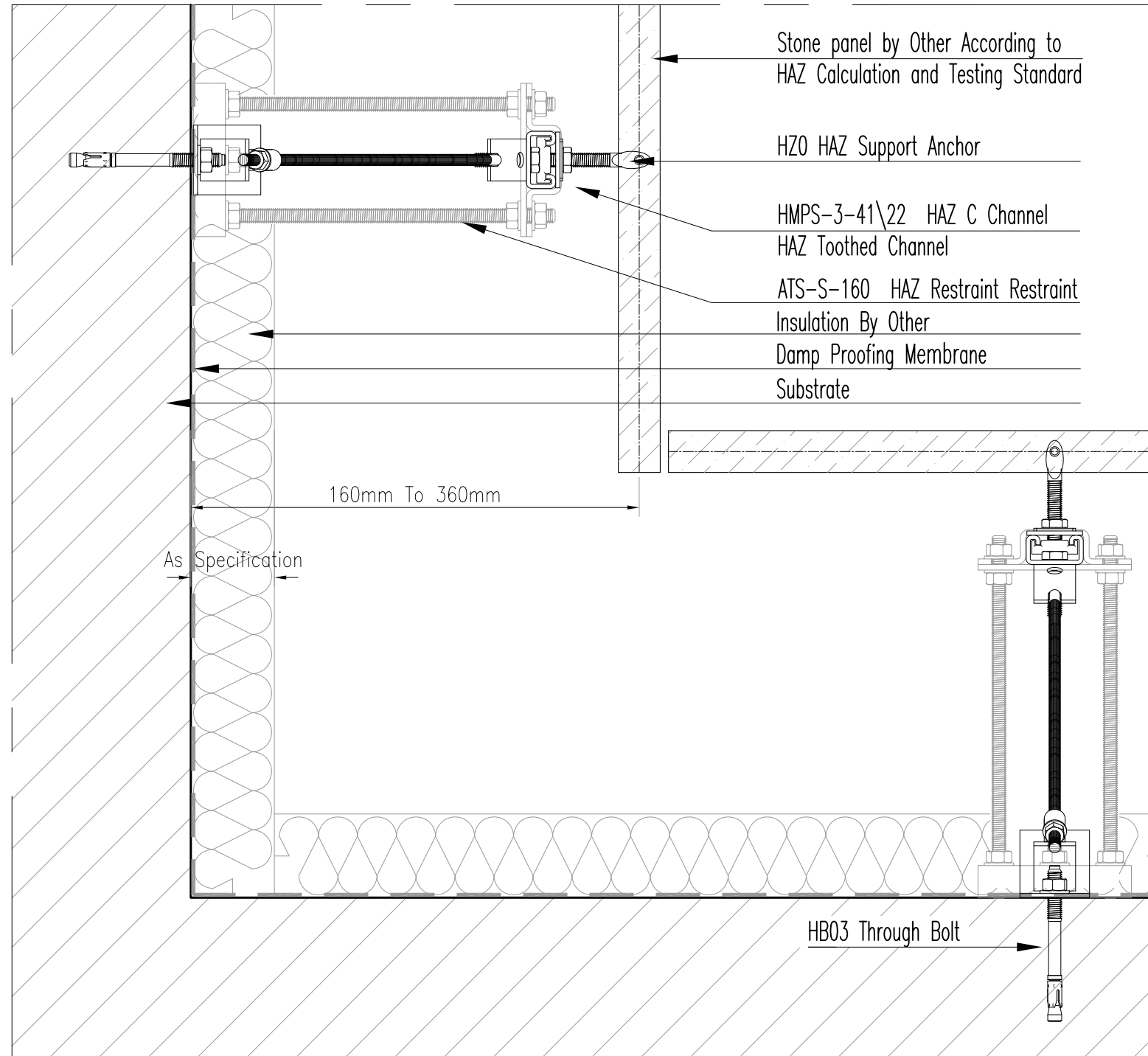
Horizontal section Scale 1:4



Title :		Horizontal Joint Installation - External Corner Stone Cladding - Horizontal Section			
Drawing No.		HAZCD-ATS-ST-11			
Series		Concept Drawings - Natural Stone Fixing System - HMP Sub Channel System			
Revision	01	Scale	As Shown	Paper Size: A3	Page : 11/17

HAZ METAL Sanayi ve Ticaret A.S
PO Box 241 31200 Iskenderun / Turkey
Tel: +90 326 6262050 Faks: 6262045
info@hazmetal.com / www.hazmetal.com.

ATS SUB CHANNEL SYSTEM



Isometric Scale 1:100

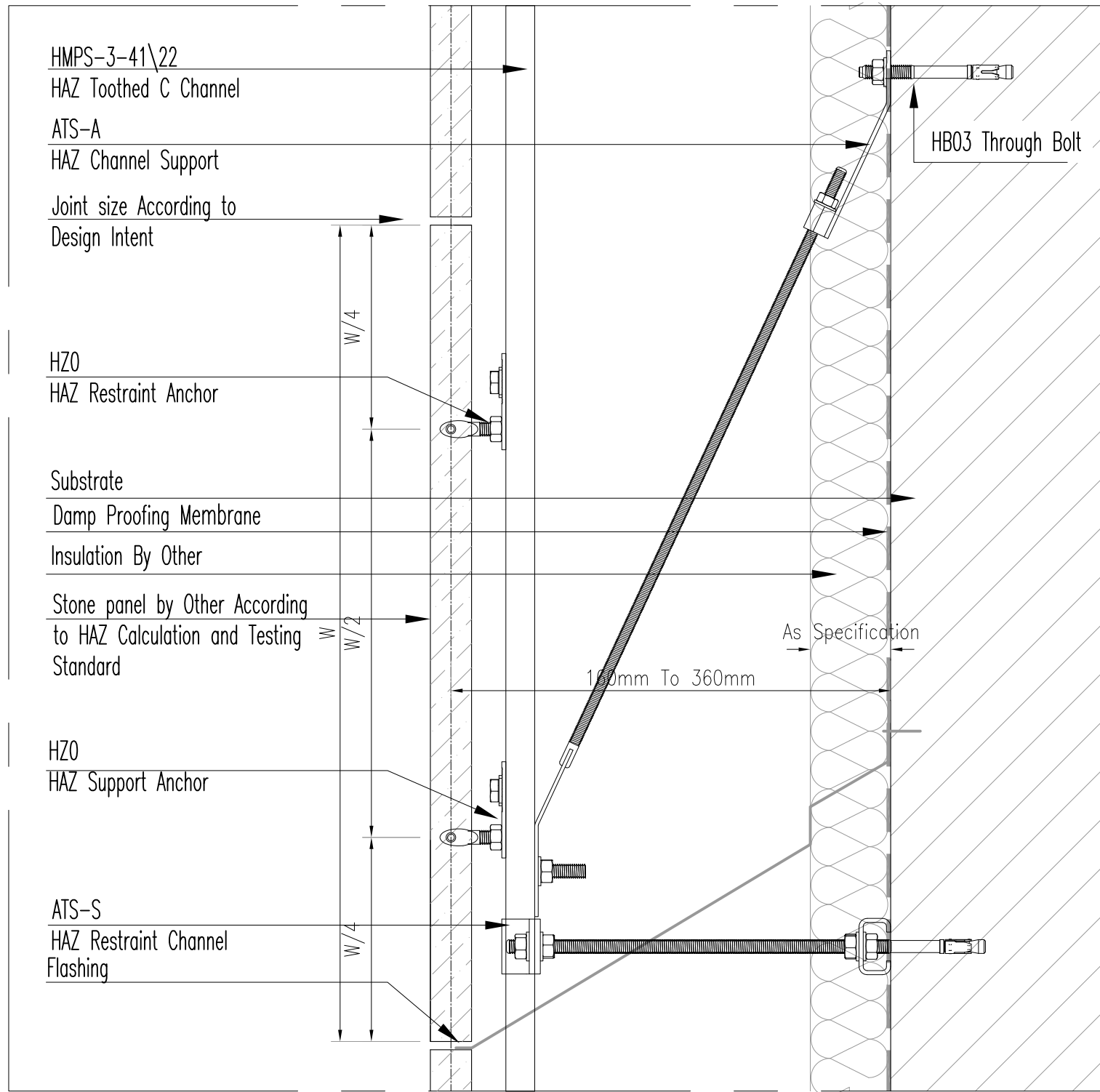
Horizontal section Scale 1:4



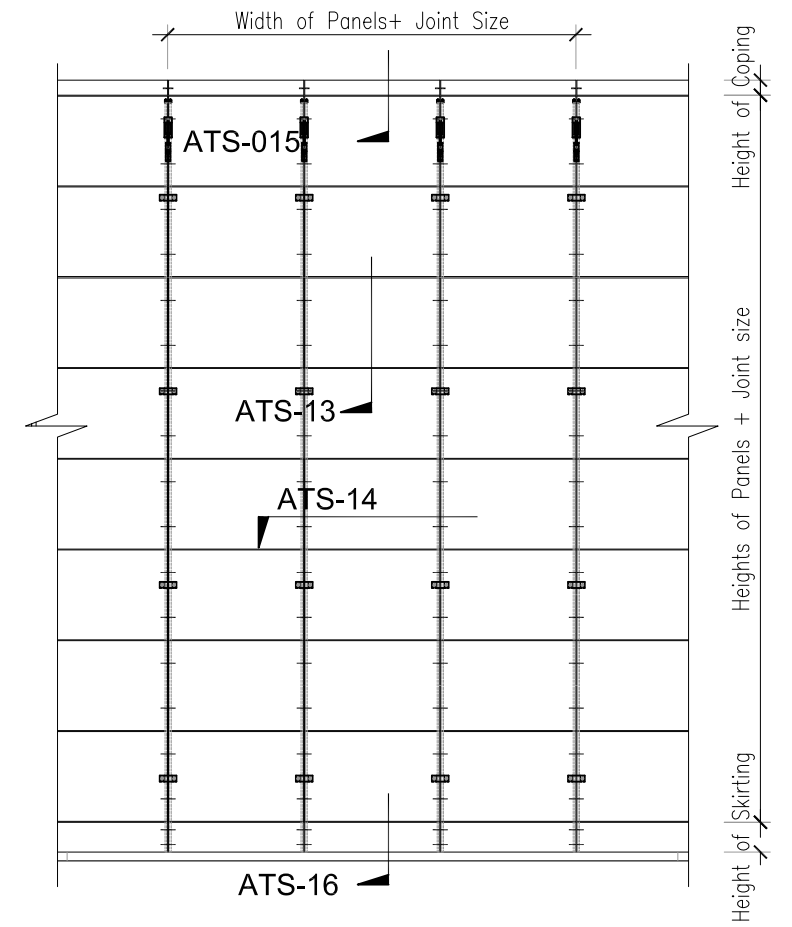
Title :		Horizontal Joint Installation - Internal Corner Stone Cladding - Horizontal Section			
Drawing No.		HAZCD-ATS-AT-12			
Series		Concept Drawings - Natural Stone Fixing System - HMP Sub Channel System			
Revision		01	Scale	As Shown	Paper Size: A3
					Page : 12/17

HAZ METAL Sanayi ve Ticaret A.S
PO Box 241 31200 Iskenderun / Turkey
Tel: +90 326 6262050 Faks: 6262045
info@hazmetal.com / www.hazmetal.com.

ATS SUB CHANNEL SYSTEM



Vertical section Scale 1:4



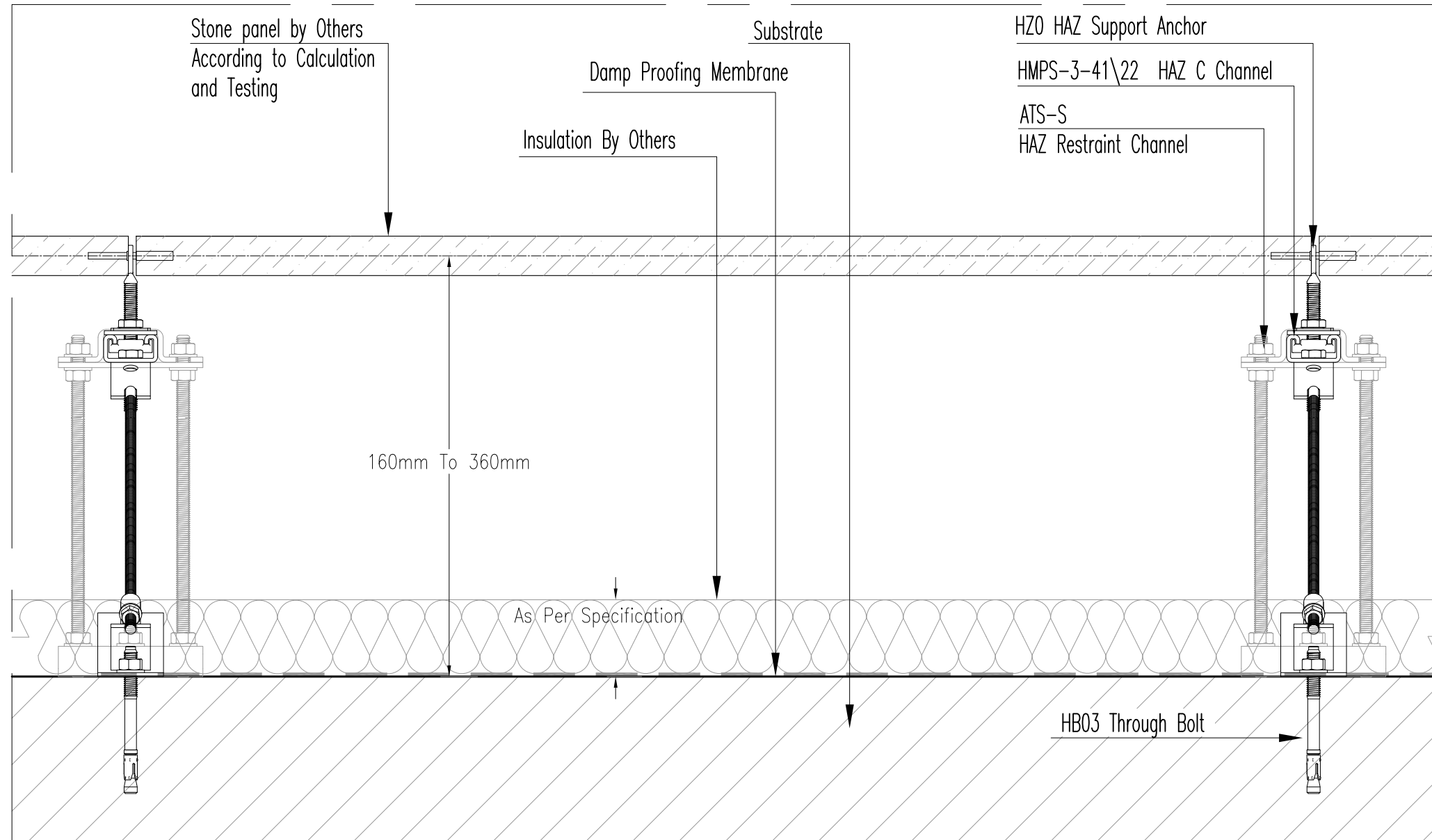
Elevation Scale 1:50



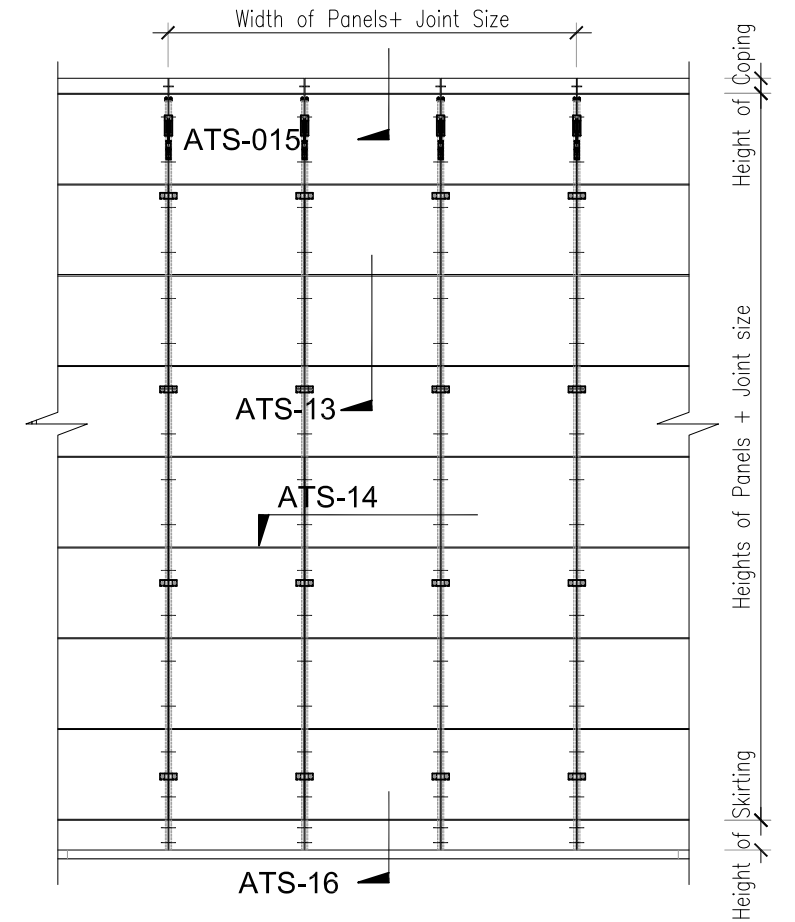
Title :		Vertical Joint Installation - Typical Stone Claddings - ATS System - Vertical Section				
Drawing No.	HAZCD-ATS-AT-13					
Series	Concept Drawings - Natural Stone Fixing System - HMP Sub Channel System					
Revision	01	Scale	As Shown	Paper Size: A3	Page : 13/17	

HAZ METAL Sanayi ve Ticaret A.S
PO Box 241 31200 Iskenderun / Turkey
Tel: +90 326 6262050 Faks: 6262045
info@hazmetal.com / www.hazmetal.com.

ATS SUB CHANNEL SYSTEM



Horizontal section Scale 1:4



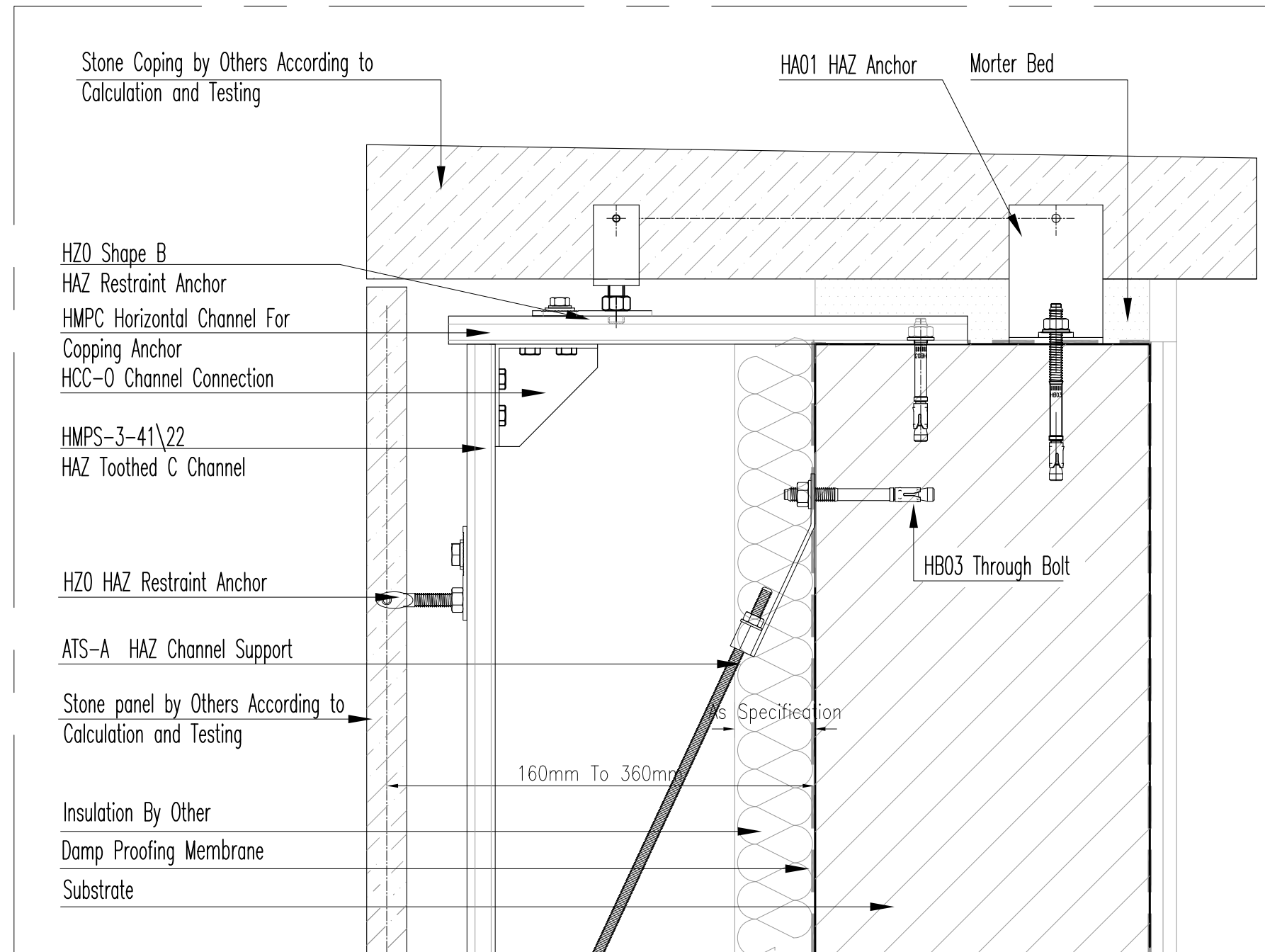
Elevation Scale 1:50



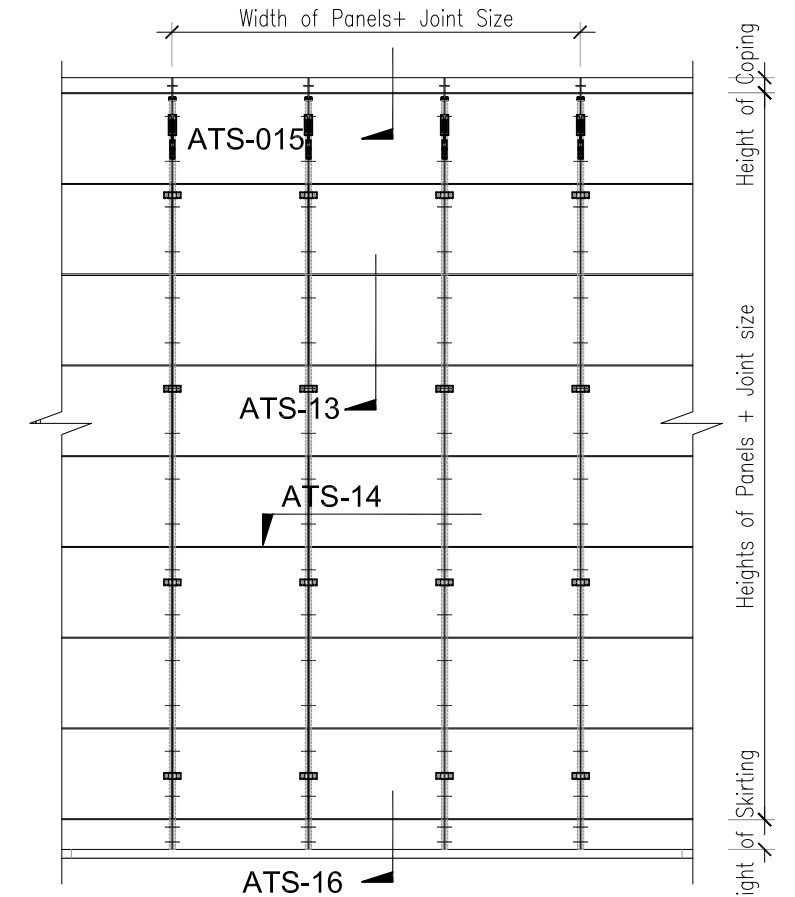
Title :		Vertical Joint Installation - Typical Stone Claddings - ATS System - Horizontal Section			
Drawing No.	HAZCD-ATS-AT-14				
Series	Concept Drawings - Natural Stone Fixing System - HMP Sub Channel System				
Revision	01	Scale	As Shown	Paper Size: A3	Page : 14/17

HAZ METAL Sanayi ve Ticaret A.S
PO Box 241 31200 Iskenderun / Turkey
Tel: +90 326 6262050 Faks: 6262045
info@hazmetal.com / www.hazmetal.com.

ATS SUB CHANNEL SYSTEM



Vertical section Scale 1:4



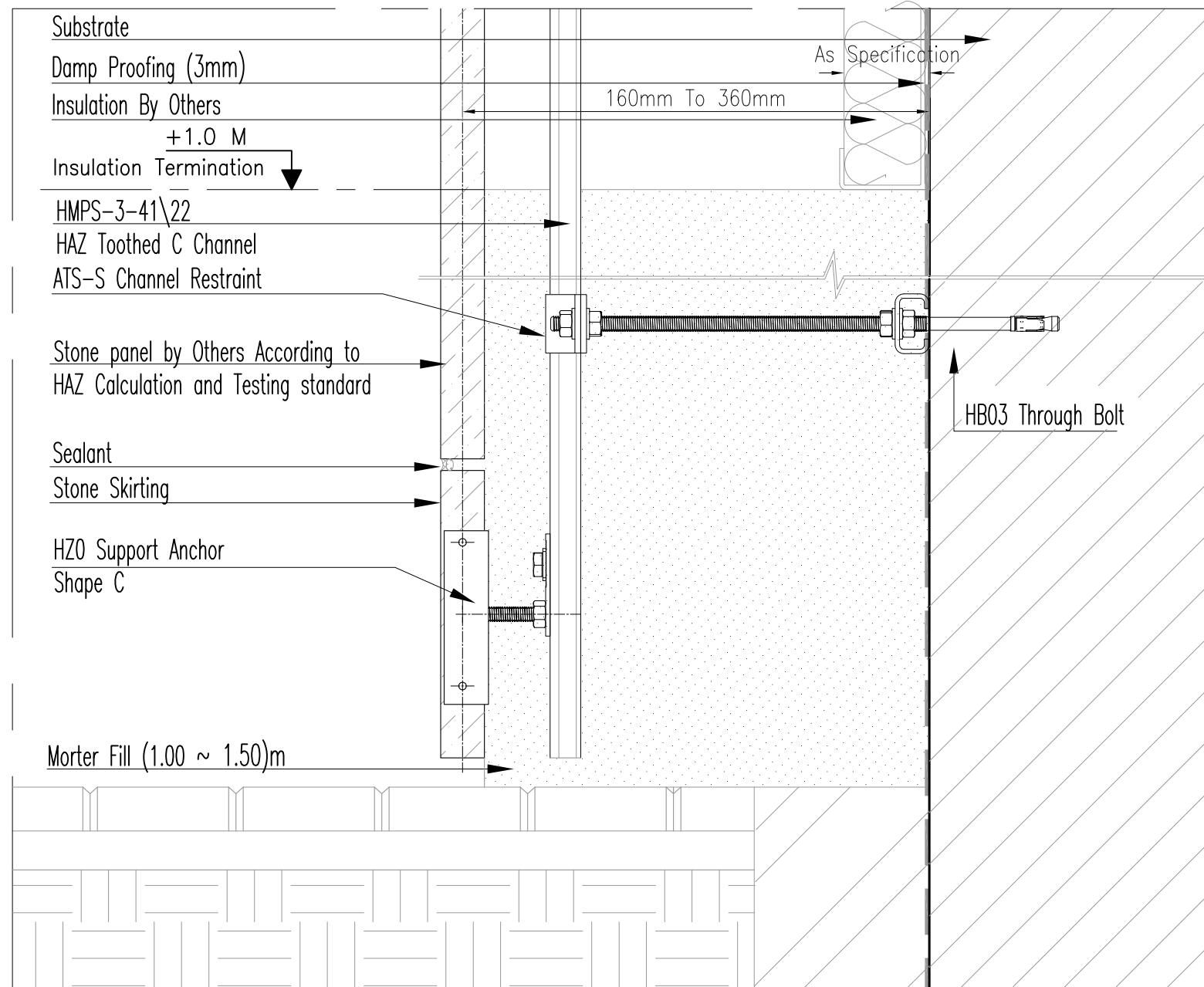
Elevation Scale 1:50



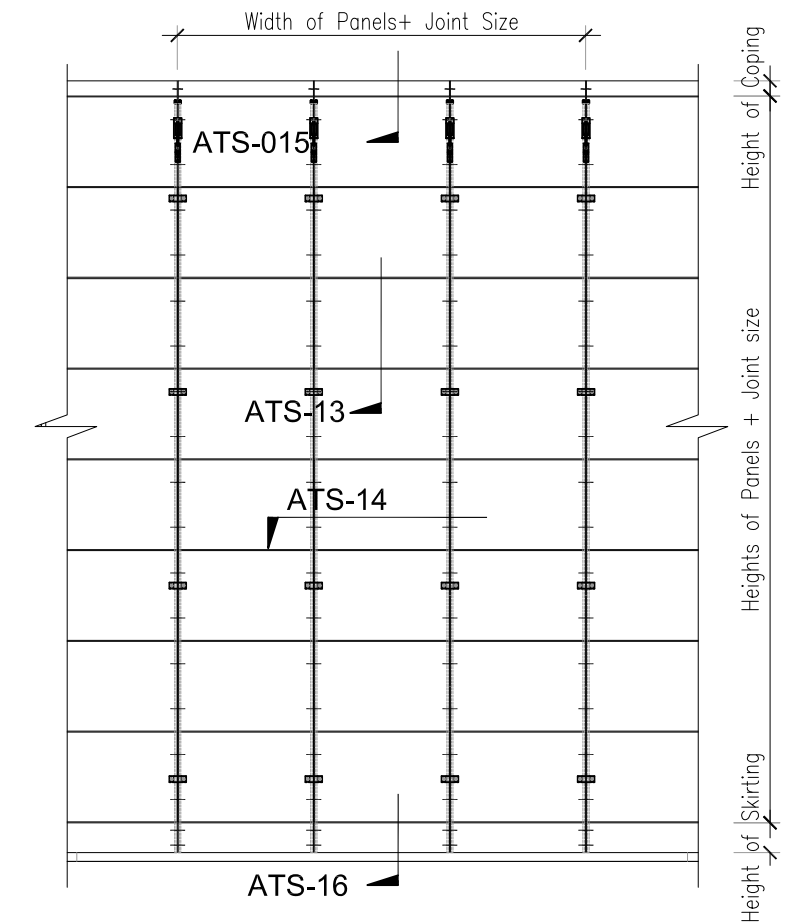
Title :		Vertical Joint Installation - Stone Coping - Vertical Section			
Drawing No.		HAZCD-ATS-AT-15			
Series		Concept Drawings - Natural Stone Fixing System - HMP Sub Channel System			
Revision		01	Scale	As Shown	Paper Size: A3
					Page : 15/17

HAZ METAL Sanayi ve Ticaret A.S
PO Box 241 31200 Iskenderun / Turkey
Tel: +90 326 6262050 Faks: 6262045
info@hazmetal.com / www.hazmetal.com.

ATS SUB CHANNEL SYSTEM



Vertical section Scale 1:4



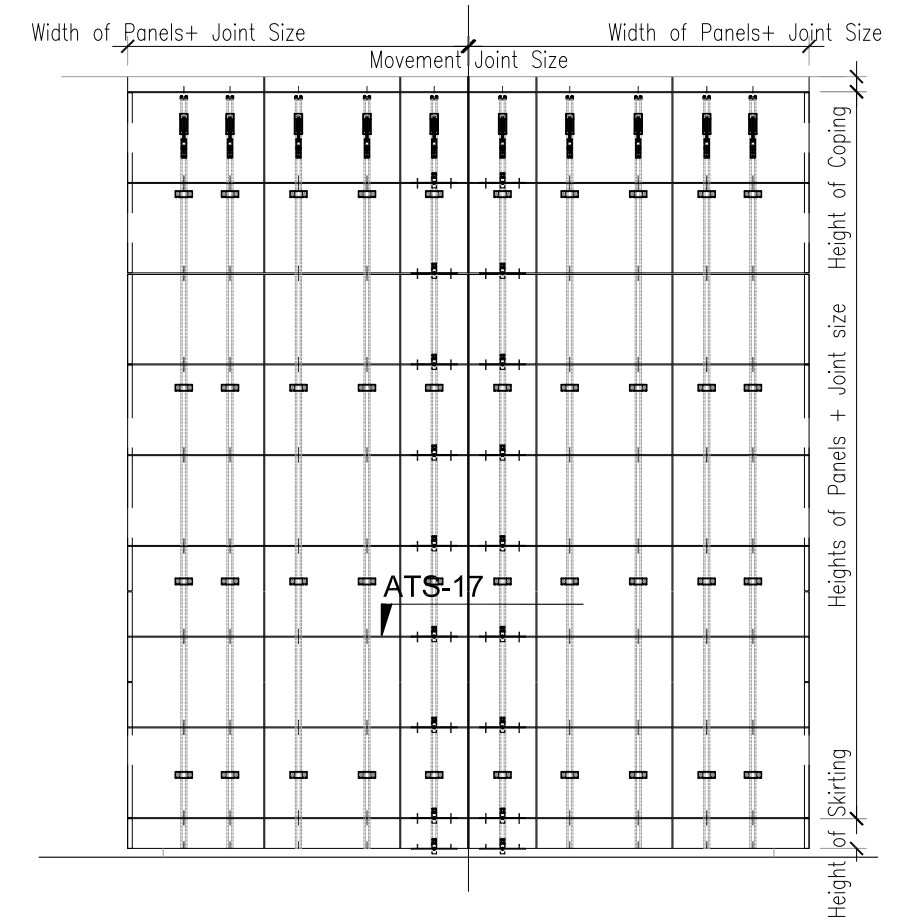
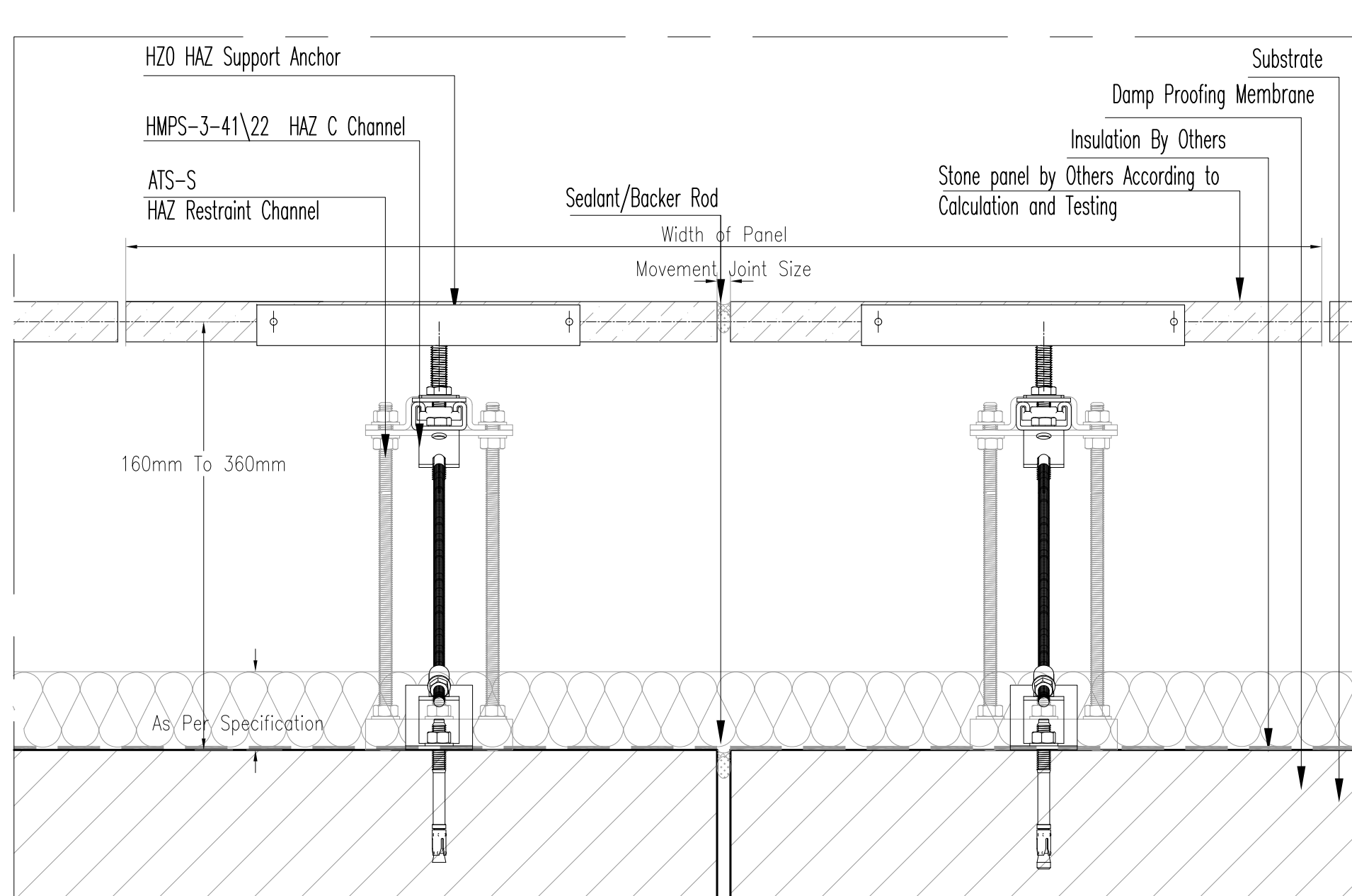
Elevation Scale 1:50



Title :		Vertical Joint Installation - Stone Skirting - Vertical Section			
Drawing No.		HAZCD-ATS-AT-16			
Series		Concept Drawings - Natural Stone Fixing System - HMP Sub Channel System			
Revision		01	Scale	As Shown	Paper Size: A3
					Page : 16/17

HAZ METAL Sanayi ve Ticaret A.S
PO Box 241 31200 Iskenderun / Turkey
Tel: +90 326 6262050 Faks: 6262045
info@hazmetal.com / www.hazmetal.com.

ATS SUB CHANNEL SYSTEM



Horizontal section Scale 1:4



Title :		Horizontal Joint Installation - Typical Stone Claddings - Movement Joint - Horizontal Section			
Drawing No.		HAZCD-ATS-AT-17			
Series		Concept Drawings - Natural Stone Fixing System - HMP Sub Channel System			
Revision		01	Scale	As Shown	Paper Size: A3
					Page : 17/17

HAZ METAL Sanayi ve Ticaret A.S
PO Box 241 31200 Iskenderun / Turkey
Tel: +90 326 6262050 Faks: 6262045
info@hazmetal.com / www.hazmetal.com.