

**HAZ METAL**  
FIXING SYSTEMS

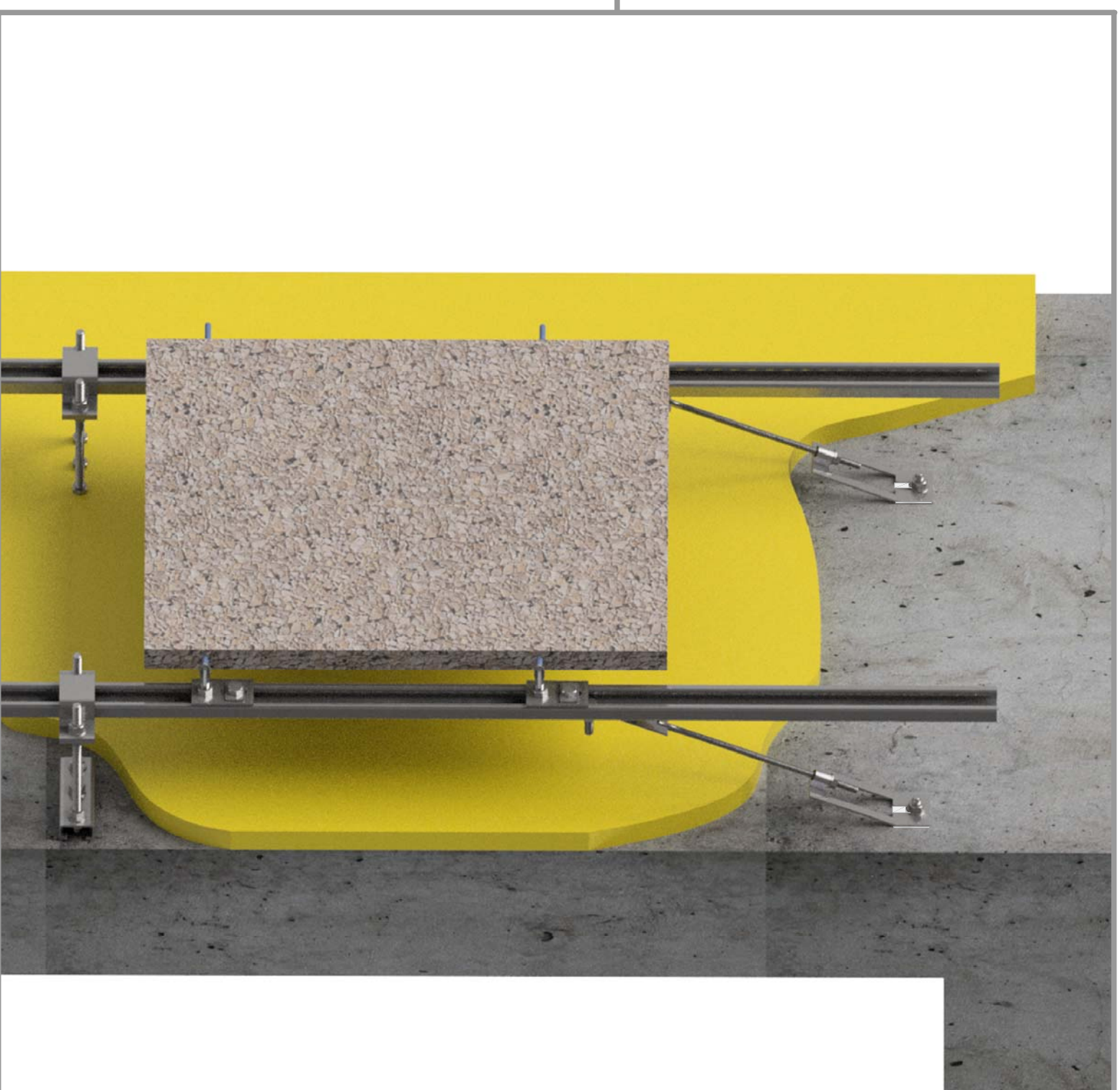
# ATS

SUB CHANNEL SYSTEM

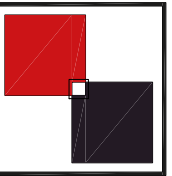
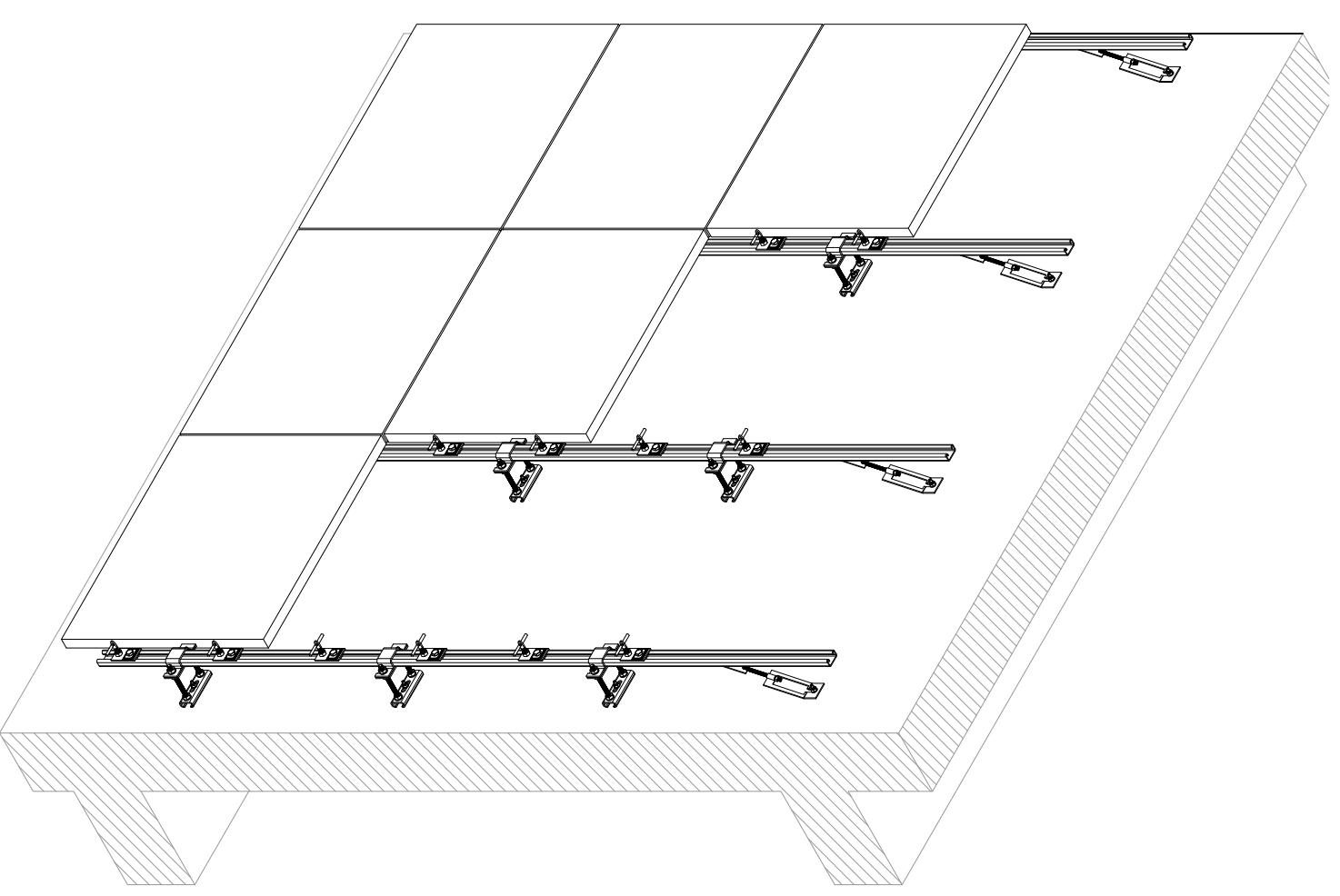
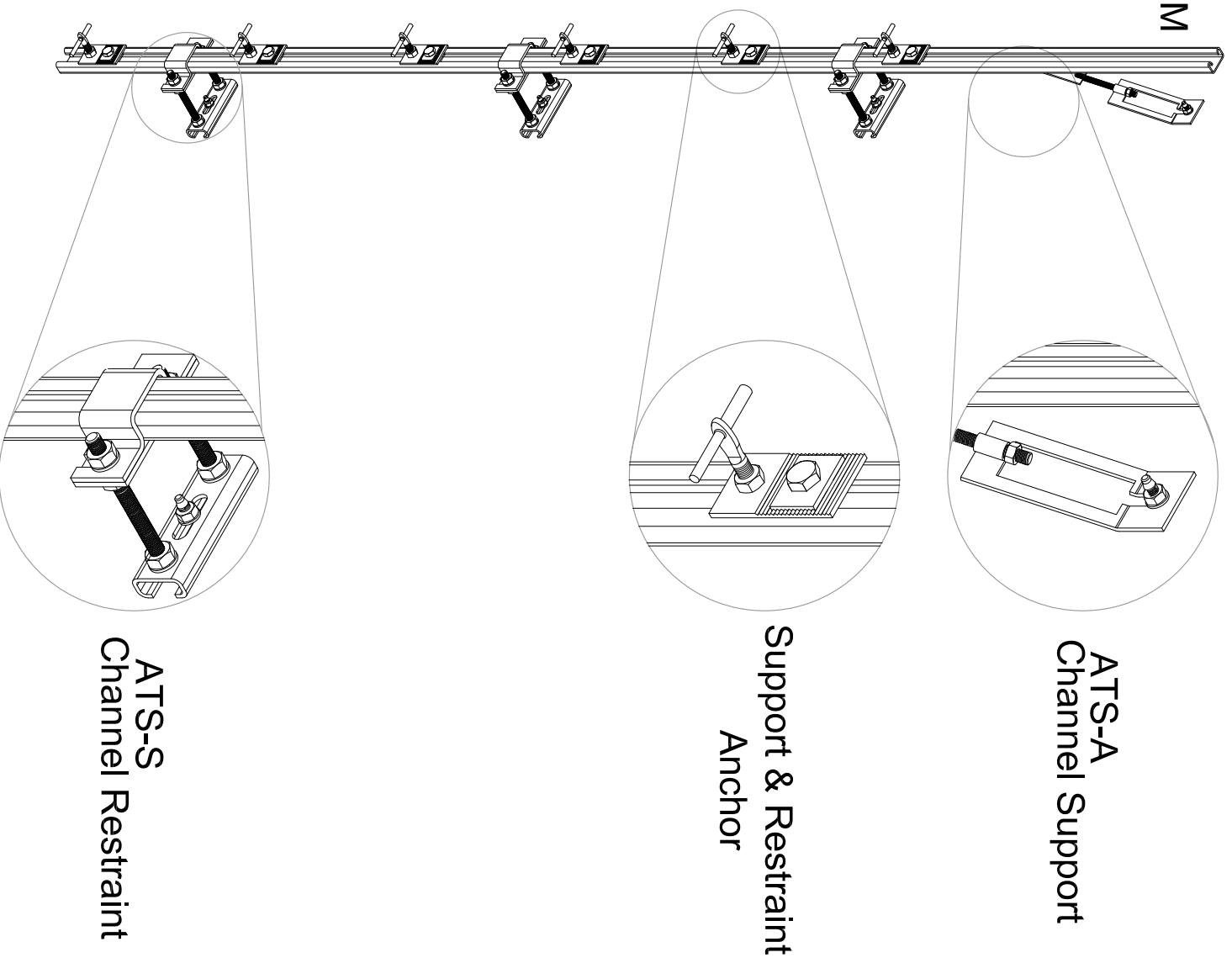
**Concept Drawings**

Series: HAZCD-ATS-AT

Steel Support System For Rain Screen  
Stone Cladding System for Installation at  
Vertical and Horizontal Joints



# ATS SUB CHANNEL SYSTEM

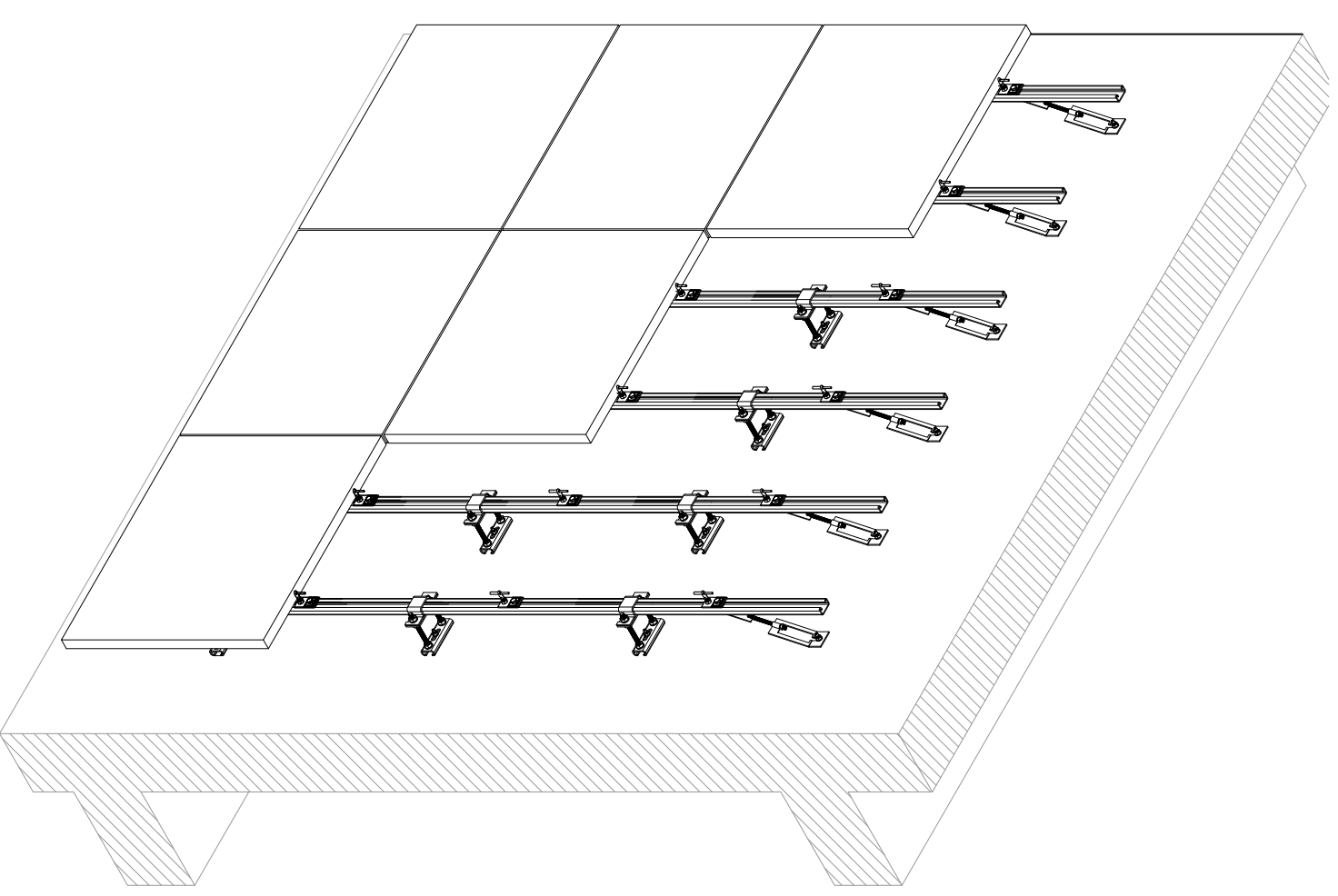
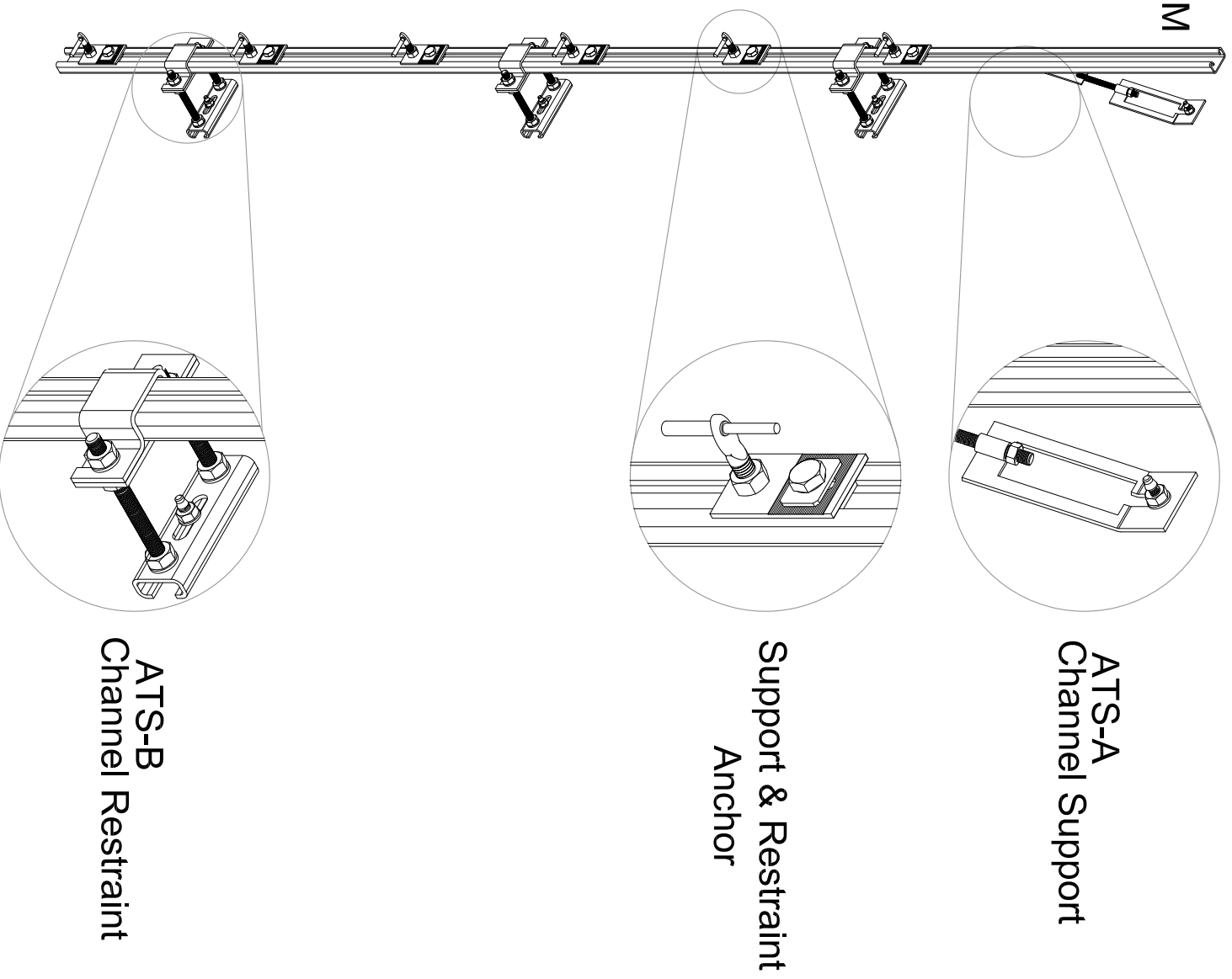


**HAZ METAL**  
**FIXING SYSTEMS**

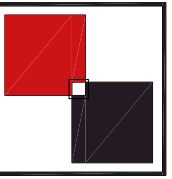
HAZ METAL Sanayi ve Ticaret A.S  
PO Box 241 31200 Iskenderun / Turkey  
Tel: +90 326 6262050 Faks: 6262045  
info@hazmetal.com / www.hazmetal.com.

Title :	Natural Stone Facade - Built-up Cavity Wall - ATS Vertical Joint installation -Isometric				
Drawing No.	HAZCD-ATS-AT-01				
Series	Concept Drawings - Natural Stone Fixing System - HMP Sub Channel System				
Revision	01	Scale	As Shown	Paper Size:	A3
				Page :	1/17

# ATS SUB CHANNEL SYSTEM



ISOMETRIC VIEW



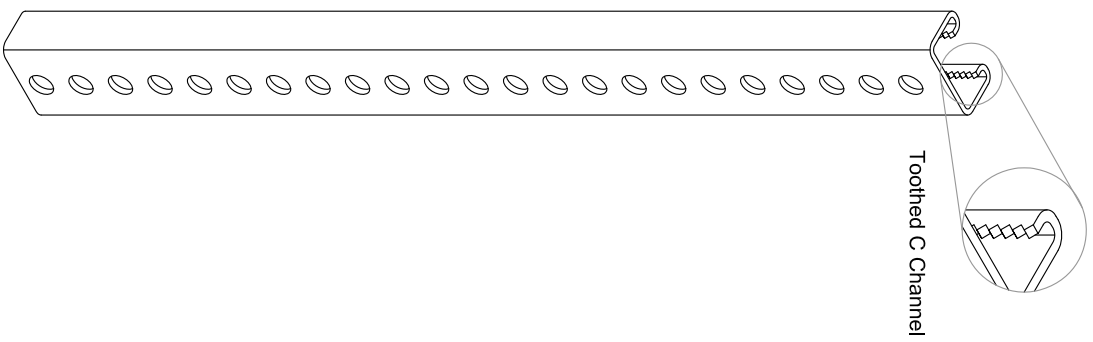
**HAZ METAL**  
**FIXING SYSTEMS**

HAZ METAL Sanayi ve Ticaret A.S  
PO Box 241 31200 Iskenderun / Turkey  
Tel: +90 326 6262050 Faks: 6262045  
info@hazmetal.com / www.hazmetal.com.

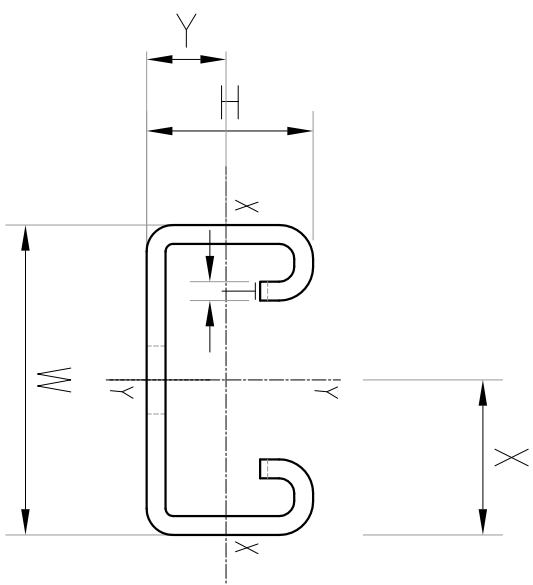
Title :	Natural Stone Facade - Built-up Cavity Wall - ATS Horizontal joint installation - Isometric				
Drawing No.	HAZCD-ATS-AT-02				
Series	Concept Drawings - Natural Stone Fixing System - HMP Sub Channel System				
Revision	01	Scale	As Shown	Paper Size:	A3
				Page :	2/17

# HMPS

## SUB CHANNEL SYSTEM



ISOMETRIC VIEW



Horizontal Section

Product Code	Dimensions			Technical Details					
	Thickness T(mm)	Width W(mm)	Height H(mm)	X-X Axis			Y-Y Axis		
				I <sub>XX</sub> (cm <sup>4</sup> )	Z <sub>X</sub> (cm <sup>3</sup> )	X (mm)	I <sub>YY</sub> (cm <sup>4</sup> )	Z <sub>Y</sub> (cm <sup>3</sup> )	Y (mm)
HMPS-2.5-41/22	2.50	41.00	21.00	1.25	0.99	20.50	5.60	2.72	8.16
HMPS-2.5-41/41	2.50	41.00	41.00	7.92	3.62	20.50	9.40	4.58	19.02
HMPS-3-41/22	3.00	41.00	21.00	1.69	1.43	20.50	6.94	3.40	9.16
HMPS-3-41/41	3.00	41.00	41.00	9.40	4.20	20.50	11.30	5.50	18.80

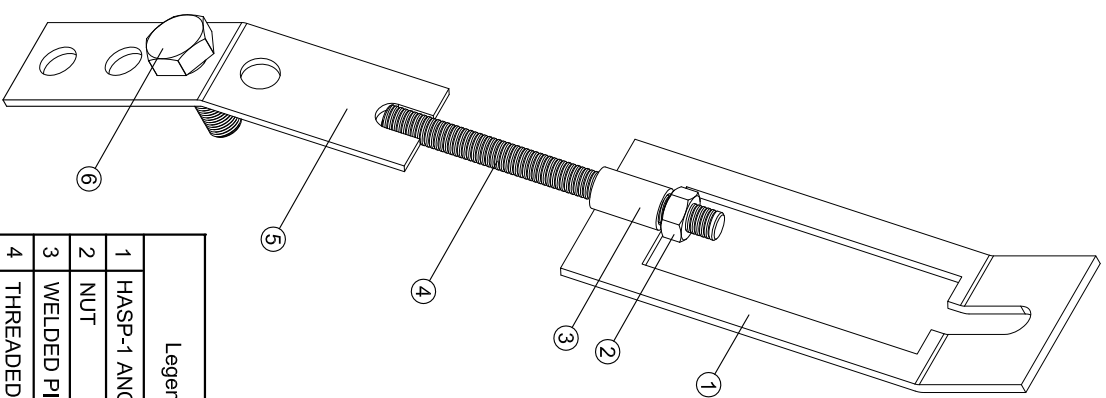


HAZ METAL Sanayi ve Ticaret A.S  
 PO Box 241 31200 Iskenderun / Turkey  
 Tel: +90 326 6262050 Faks: 6262045  
 info@hazmetal.com / www.hazmetal.com.

Title :		Natural Stone Facade - Built-up Cavity Wall - HMPS Specification			
Drawing No.	HAZCD-ATS-AT-03				
Series	Concept Drawings - Natural Stone Fixing System - HMP Sub Channel System				
Revision	01	Scale	As Shown	Paper Size:	A3
				Page :	3/17

# ATS-A

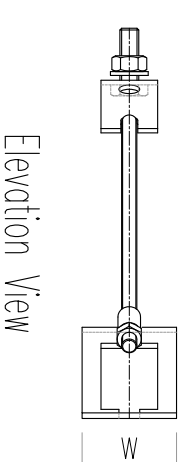
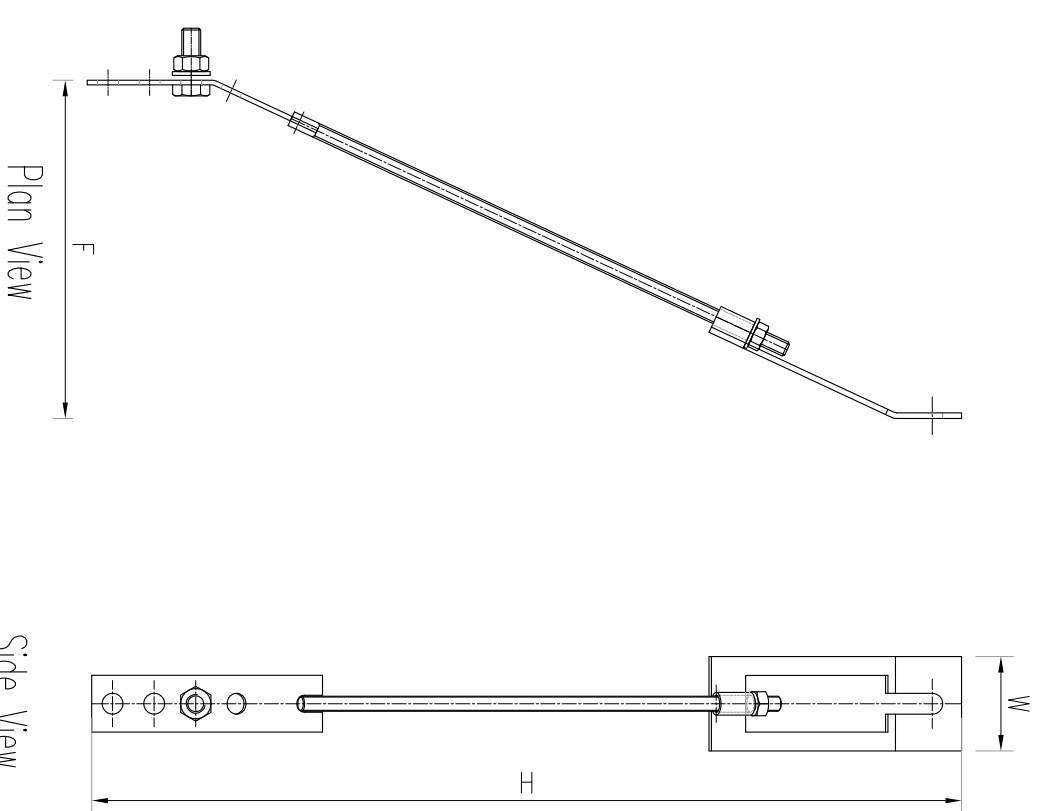
Channel Support



Legend	
1	HASP-1 ANCHOR
2	NUT
3	WELDED PIPE
4	THREADED ROD
5	HASP-2 ANCHOR
6	BOLT SET

## ISOMETRIC VIEW

Product Code	Technical Details						
	Width W(mm)	Height H(mm)	Forming F (mm)	Hex Screw (mm)	EXP. Bolt (mm)	Max Load (KN)	Max Wind Load(KN)
ATS-A-100	50	290	100				
ATS-A-140	50	375	140				
ATS-A-180	50	460	180	M12X40	M12X110	4500	3000
ATS-A-220	50	550	220				
ATS-A-260	50	635	260				
ATS-A-300	50	710	300				

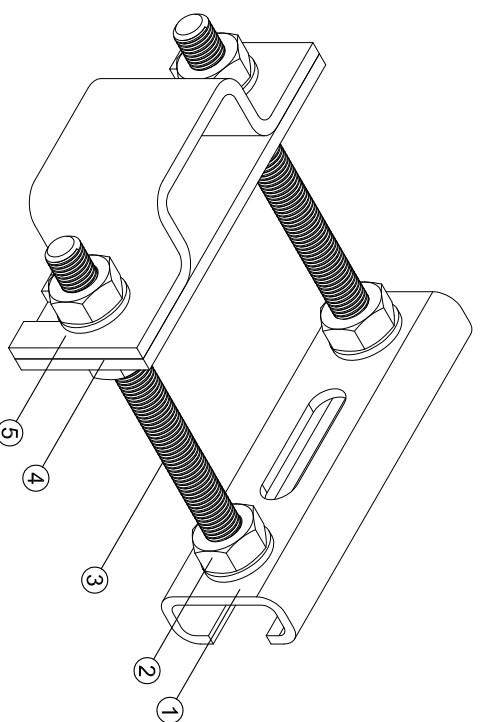


HAZ METAL Sanayi ve Ticaret A.Ş  
 PO Box 241 31200 Iskenderun / Turkey  
 Tel: +90 326 6262050 Faks: 6262045  
 info@hazmetal.com / www.hazmetal.com.

Title :		Natural Stone Facade - Built-up Cavity Wall - ATS System - ATS-A Specification			
Drawing No.	HAZCD-ATS-AT-04				
Series	Concept Drawings - Natural Stone Fixing System - HMP Sub Channel System				
Revision	01	Scale	As Shown	Paper Size:	A3
				Page :	4/17

# ATS-S

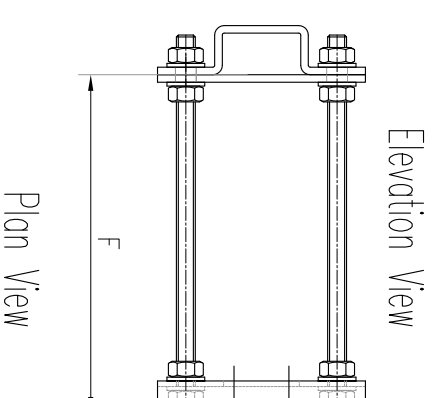
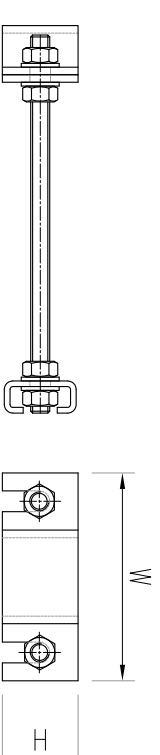
Channel Restraint



## ISOMETRIC VIEW

Legend	
1	HMPB CHANNEL
2	8 NOS. NUT
3	2 NOS. THREADED ROD
4	PLATE
5	HZSP ANCHOR

Product Code	Technical Details					
	Width W(mm)	Height H(mm)	Forming F (mm)	EXP. Bolt (mm)	Max Load (KN)	Max Wind Load(KN)
ATS-S-100	40	110	125	M10X120	4500	3000
ATS-S-140			165	M10X160		
ATS-S-180			205	M10X200		
ATS-S-220			245	M10X240		
ATS-S-260			285	M10X280		
ATS-S-300			325	M10X320		



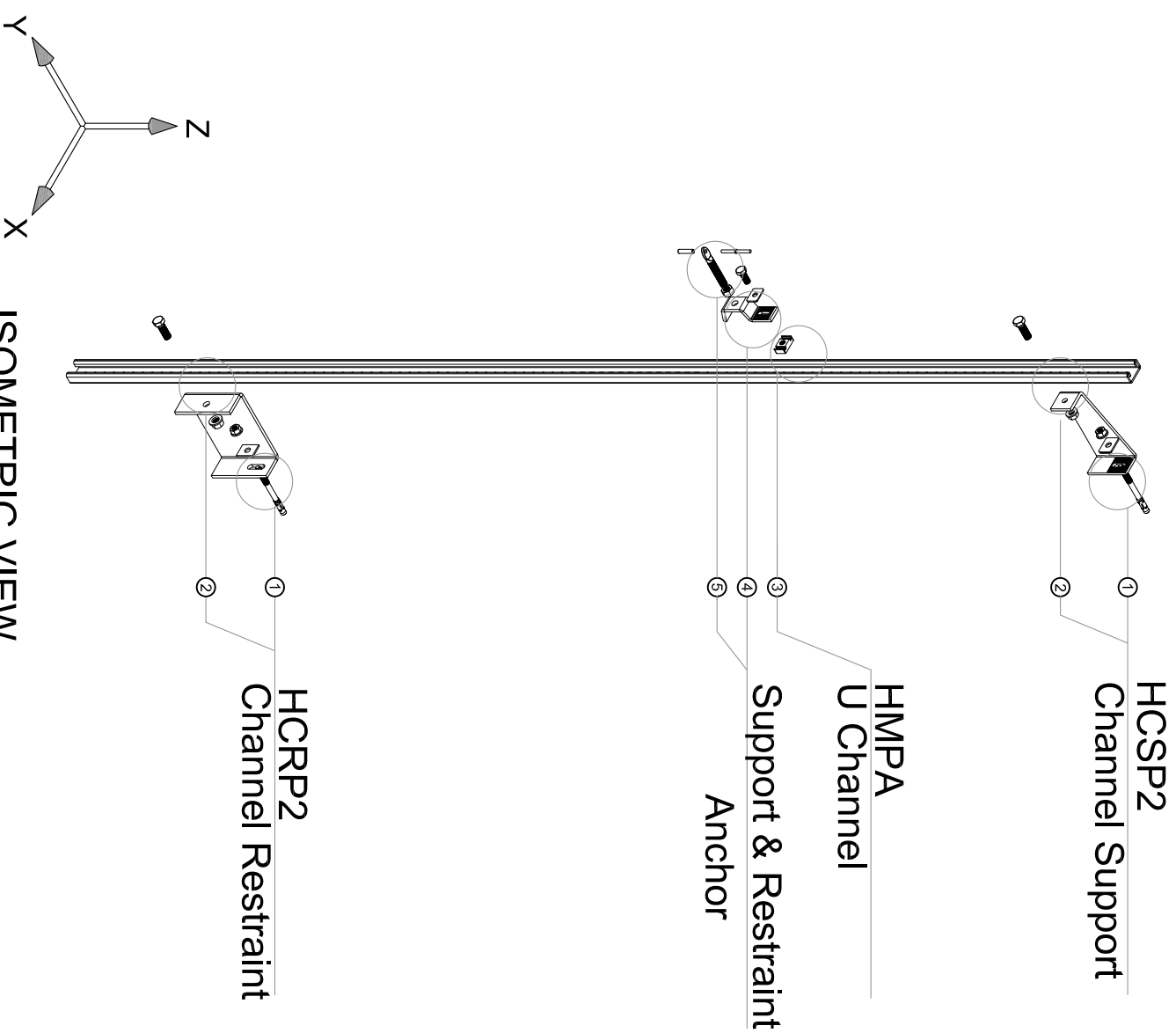
**HAZ METAL**  
FIXING SYSTEMS

HAZ METAL Sanayi ve Ticaret A.S.  
PO Box 241 31200 Iskenderun / Turkey  
Tel: +90 326 6262050 Faks: 6262045  
info@hazmetal.com / www.hazmetal.com.

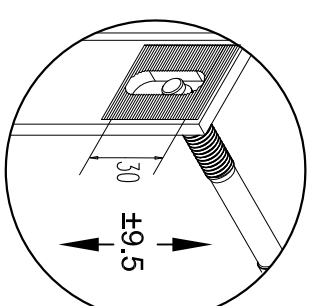
Title :		Natural Stone Facade - Built-up Cavity Wall - ATS System- ATS-S Specification			
Drawing No.		HAZCD-ATS-AT-05			
Series		Concept Drawings - Natural Stone Fixing System - HMP Sub Channel System			
Revision		01	Scale	As Shown	Paper Size: A3
					Page : 5/17

# HMPC-HC1

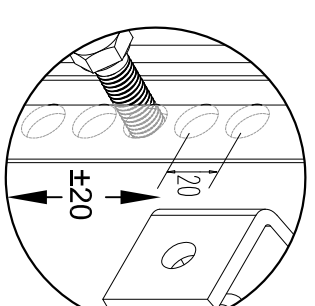
## SUB CHANNEL SYSTEM



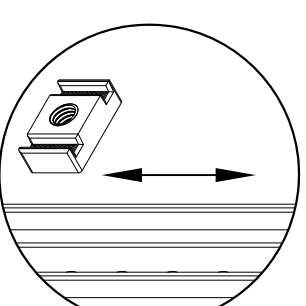
ISOMETRIC VIEW



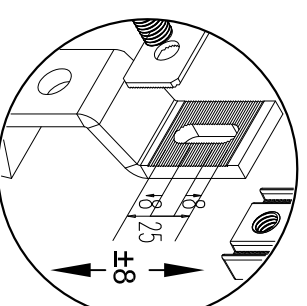
① The Adjustability on the Z axis is Provided by Slotted hole  $\pm 9.5$  mm .



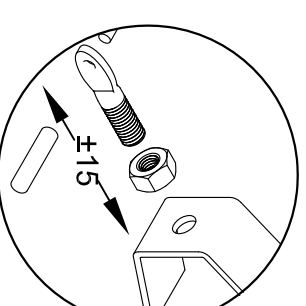
② Adjustment of the anchor Up and Down on the Z Axis is provided by Holes in 20 mm increment.



③ Adjustment of the anchor Up and Down on the Z Axis is provided by slotted Channel.



④ The Adjustability on the Z Axis is Provided by the slotted hole  $\pm 8$  mm



⑤ Adjustment of the Projection size on the Y Axis is provided by rotating the adjustable arm  $\pm 15$ mm.

Note: For Further Dimension Refer to Each Items Details Drawings.



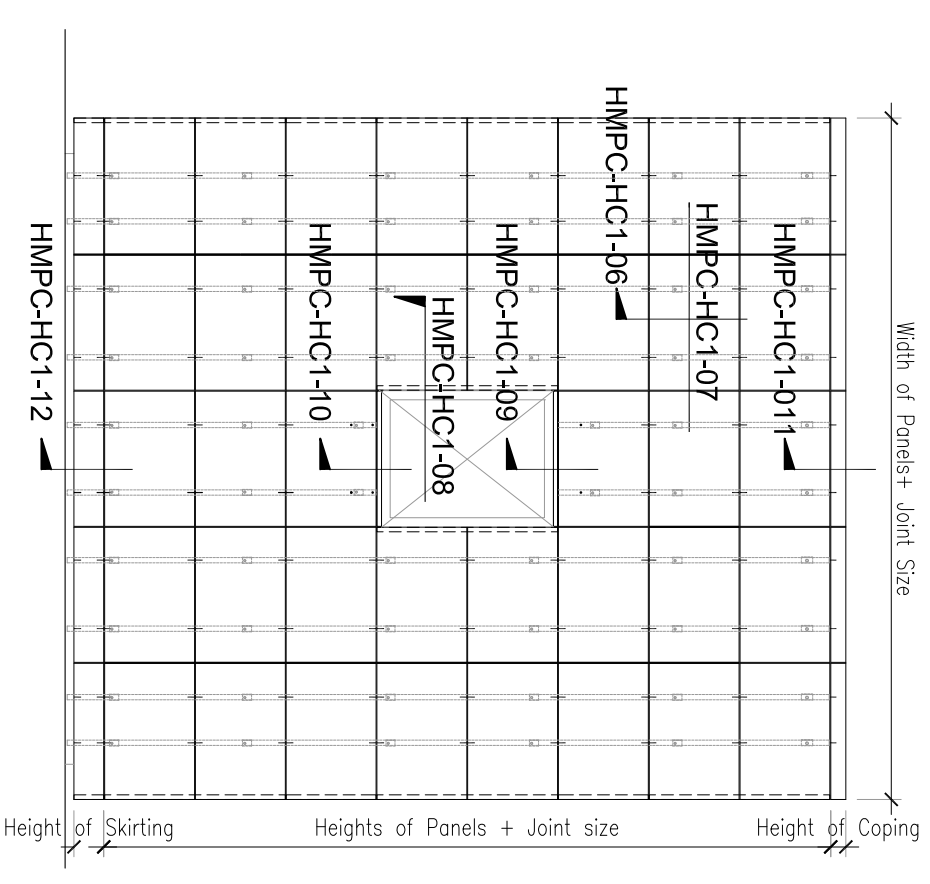
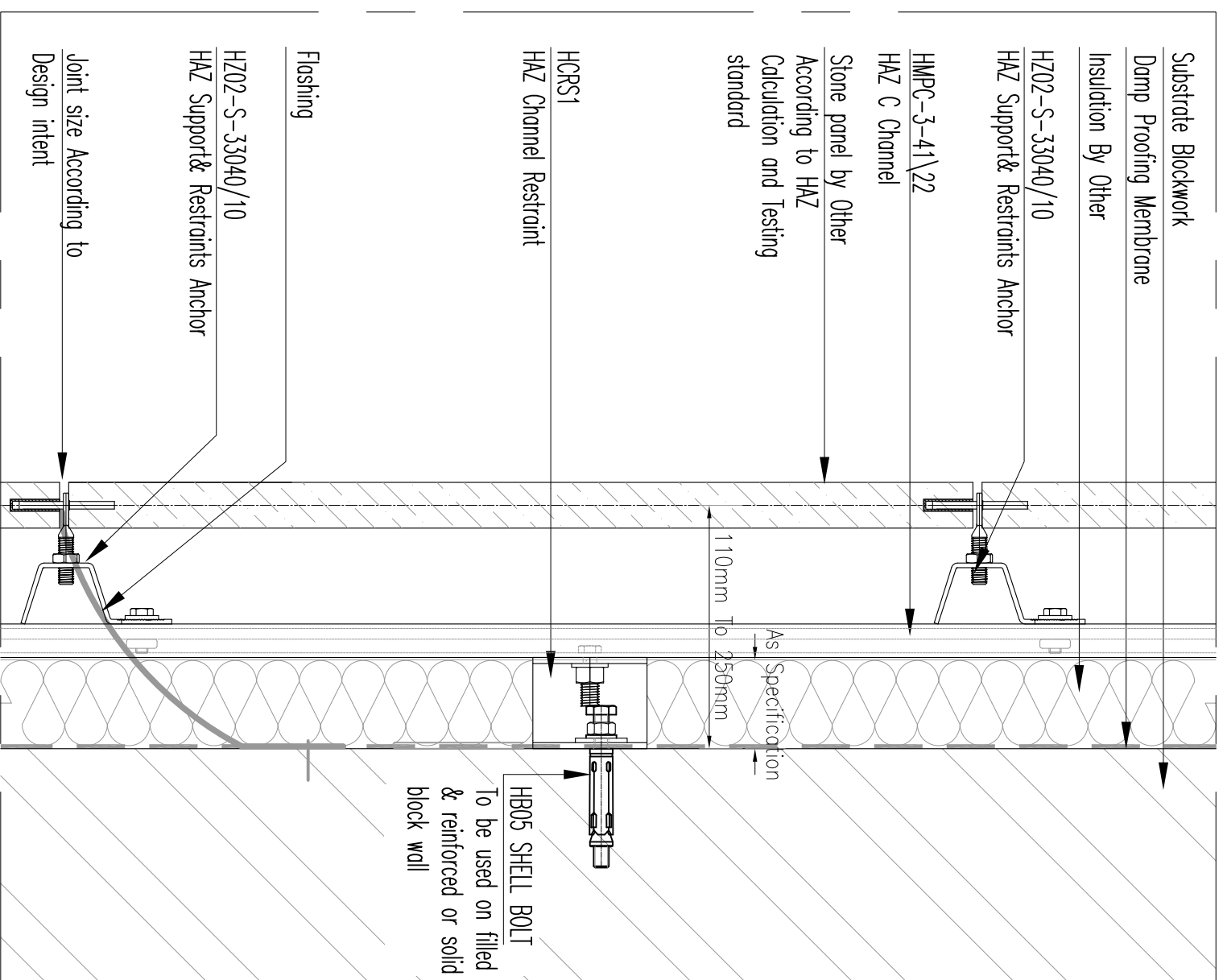
**HAZ METAL**  
**FIXING SYSTEMS**

HAZ METAL Sanayi ve Ticaret A.S  
PO Box 241 31200 Iskenderun / Turkey  
Tel: +90 326 6262050 Faks: 6262045  
info@hazmetal.com / www.hazmetal.com.

Title :		Natural Stone Facade - Built-up Cavity Wall - HMPC-HC1 System - Adjustability		
Drawing No.	HAZCD-HMPC-HC1-ST-06			
Series	Concept Drawings - Natural Stone Fixing System - HMP Sub Channel System			
Revision	01	Scale	As Shown	Paper Size: A3
				Page : 6/20

# HMPC-HC1

## SUB CHANNEL SYSTEM

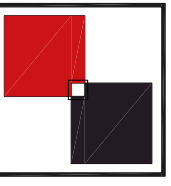


Title : Horizontal Joint Installation - Typical Stone Claddings - HMPC-HC1 System - Vertical Section

Drawing No. HAZCD-HMPC-HC1-ST-07

Series Concept Drawings - Natural Stone Fixing System - HMP Sub Channel System

Revision	01	Scale	As Shown	Paper Size:	A3	Page :	7/20
----------	----	-------	----------	-------------	----	--------	------



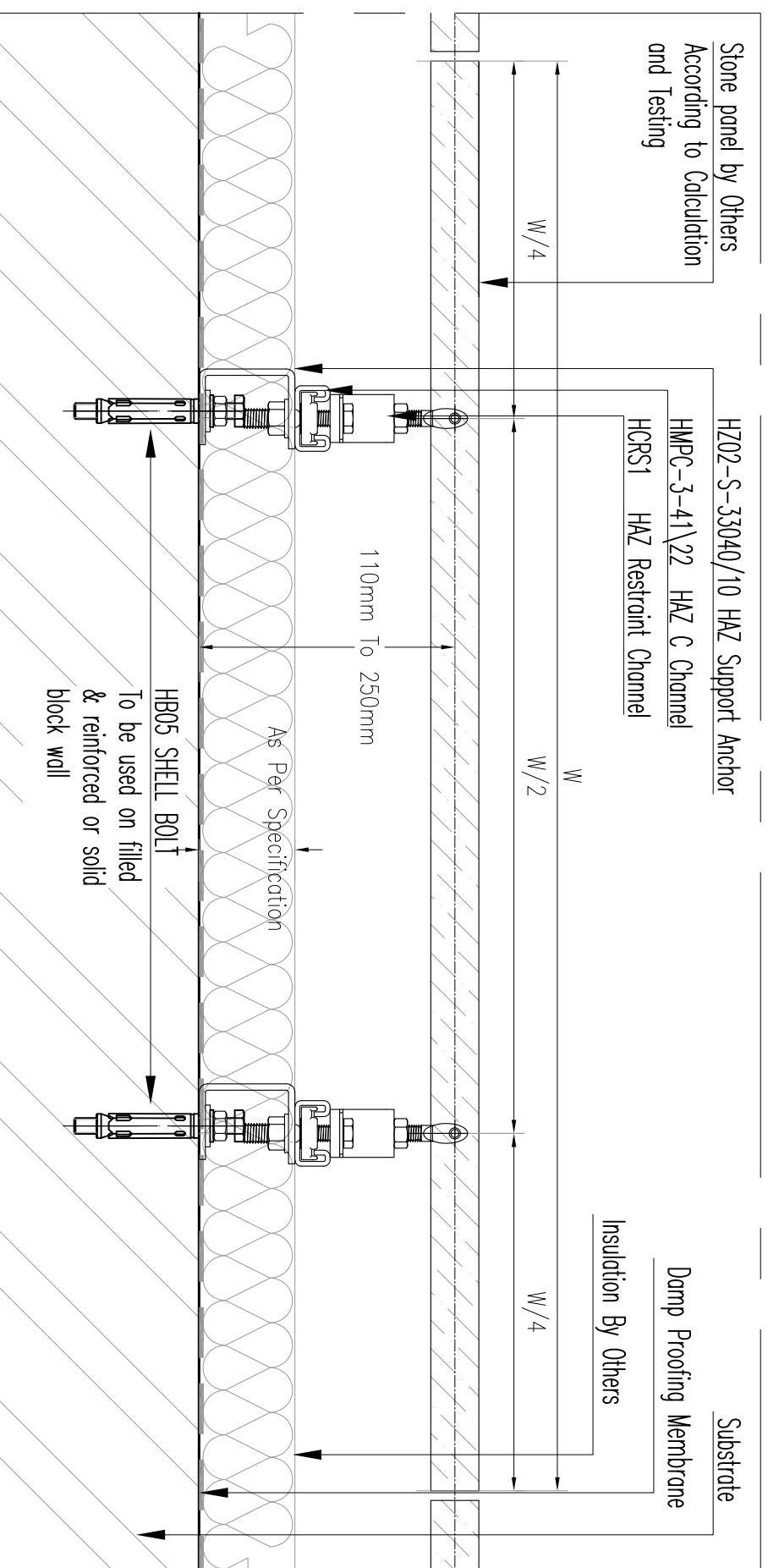
**HAZ METAL**  
**FIXING SYSTEMS**

HAZ METAL Sanayi ve Ticaret A.Ş  
PO Box 241 31200 Iskenderun / Turkey  
Tel: +90 326 6262050 Faks: 6262045  
info@hazmetal.com / www.hazmetal.com.

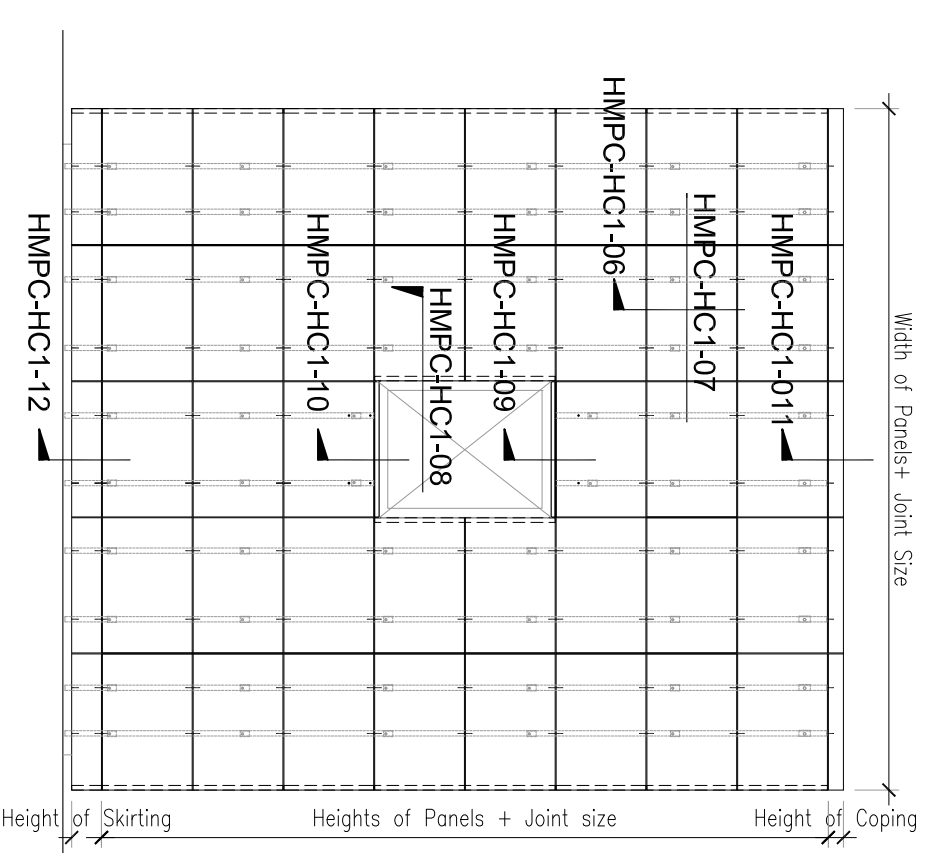


# HMPC-HC1

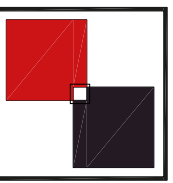
## SUB CHANNEL SYSTEM



Horizontal section Scale 1:4



Elevation Scale 1:50



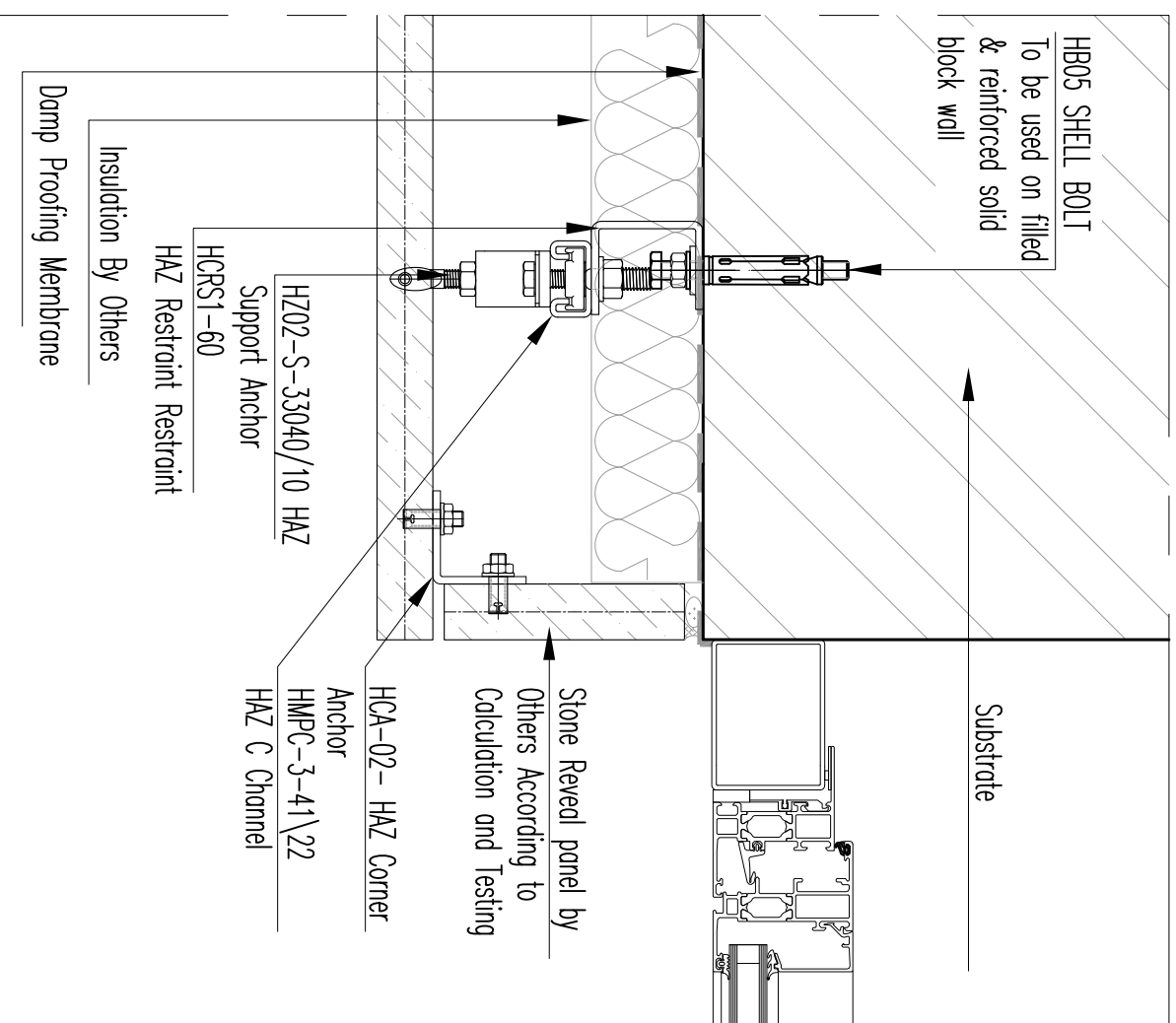
**HAZ METAL**  
**FIXING SYSTEMS**

HAZ METAL Sanayi ve Ticaret A.Ş  
PO Box 241 31200 Iskenderun / Turkey  
Tel: +90 326 6262050 Faks: 6262045  
info@hazmetal.com / www.hazmetal.com.

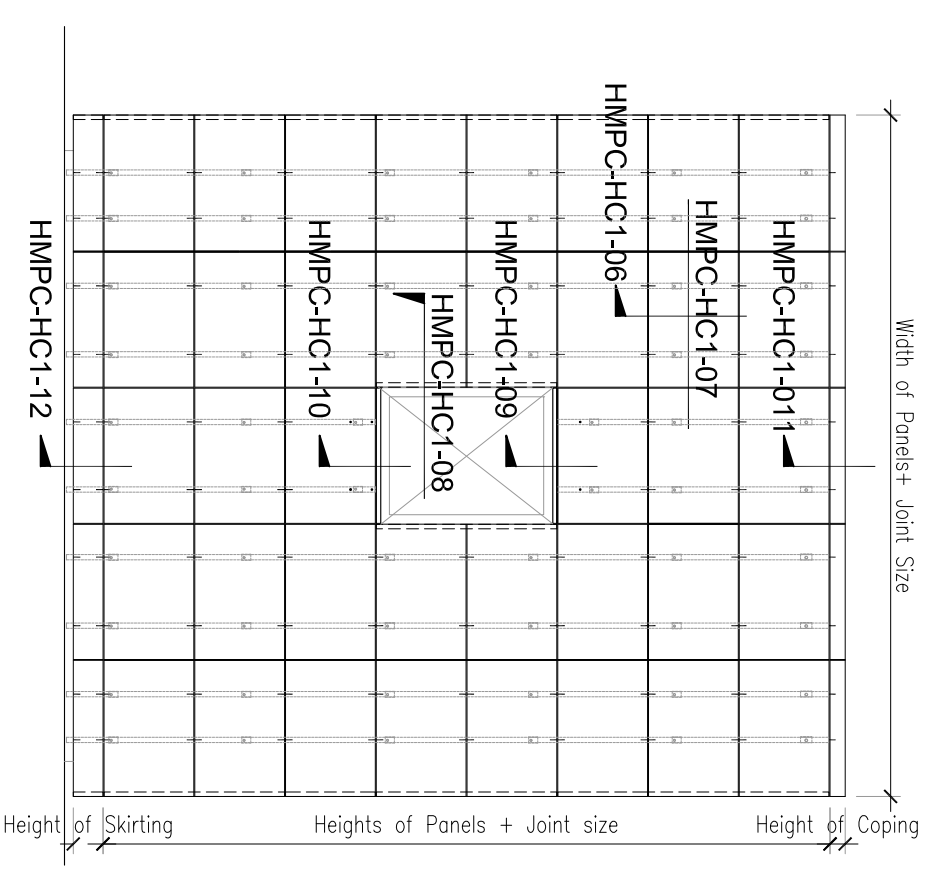
Title :		Vertical Joint Installation - Typical Stone Claddings - HMPC-HC1 System - Horizontal Section		
Drawing No.	HAZCD-HMPC-HC1-ST-08			
Series	Concept Drawings - Natural Stone Fixing System - HMP Sub Channel System			
Revision	01	Scale	As Shown	Paper Size: A3
				Page : 8/20

# HMPC-HC1

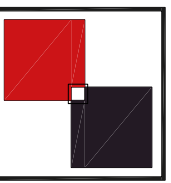
## SUB CHANNEL SYSTEM



Horizontal section Scale 1:4



Elevation Scale 1:50



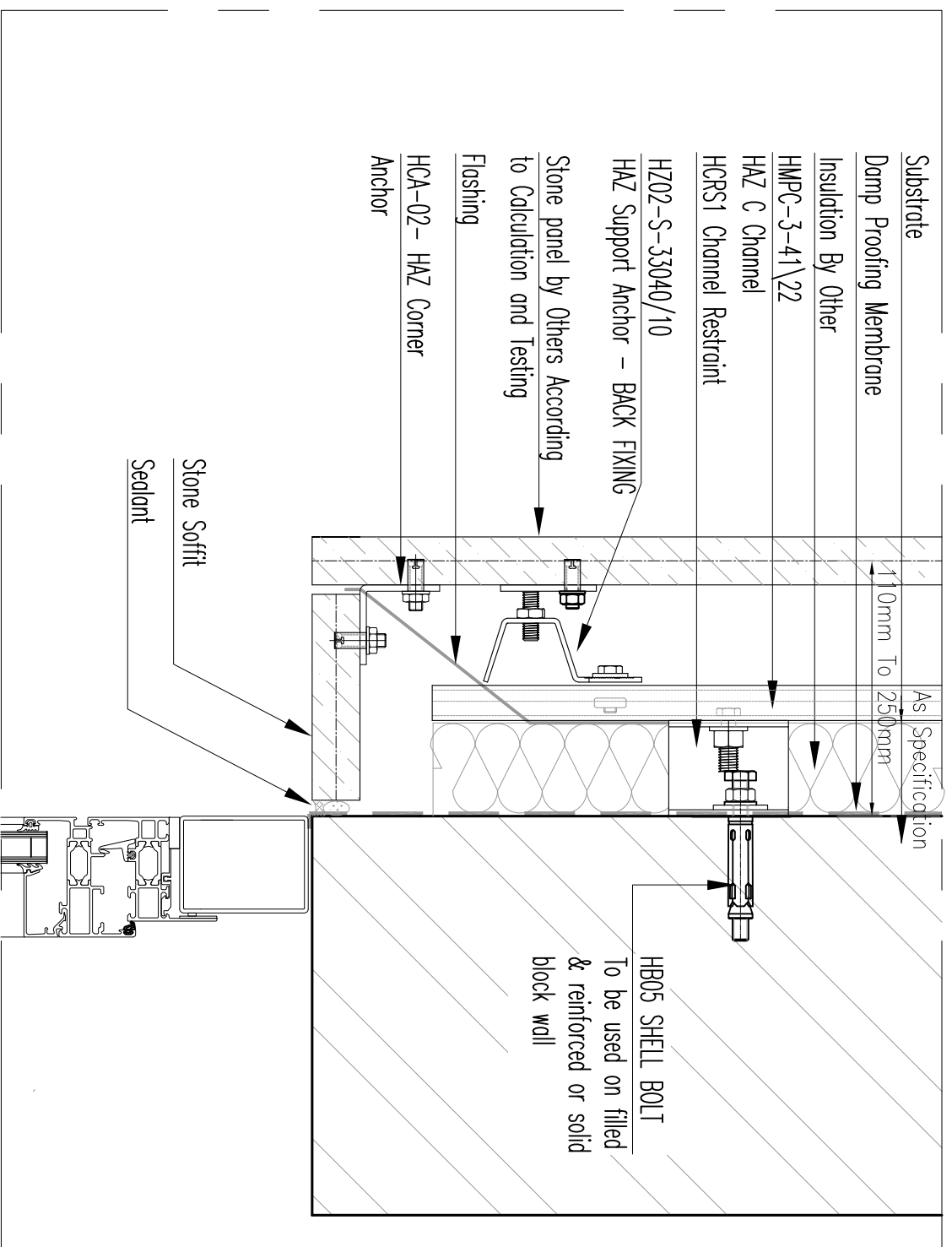
**HAZ METAL**  
**FIXING SYSTEMS**

HAZ METAL Sanayi ve Ticaret A.Ş  
PO Box 241 31200 Iskenderun / Turkey  
Tel: +90 326 6262050 Faks: 6262045  
info@hazmetal.com / www.hazmetal.com.

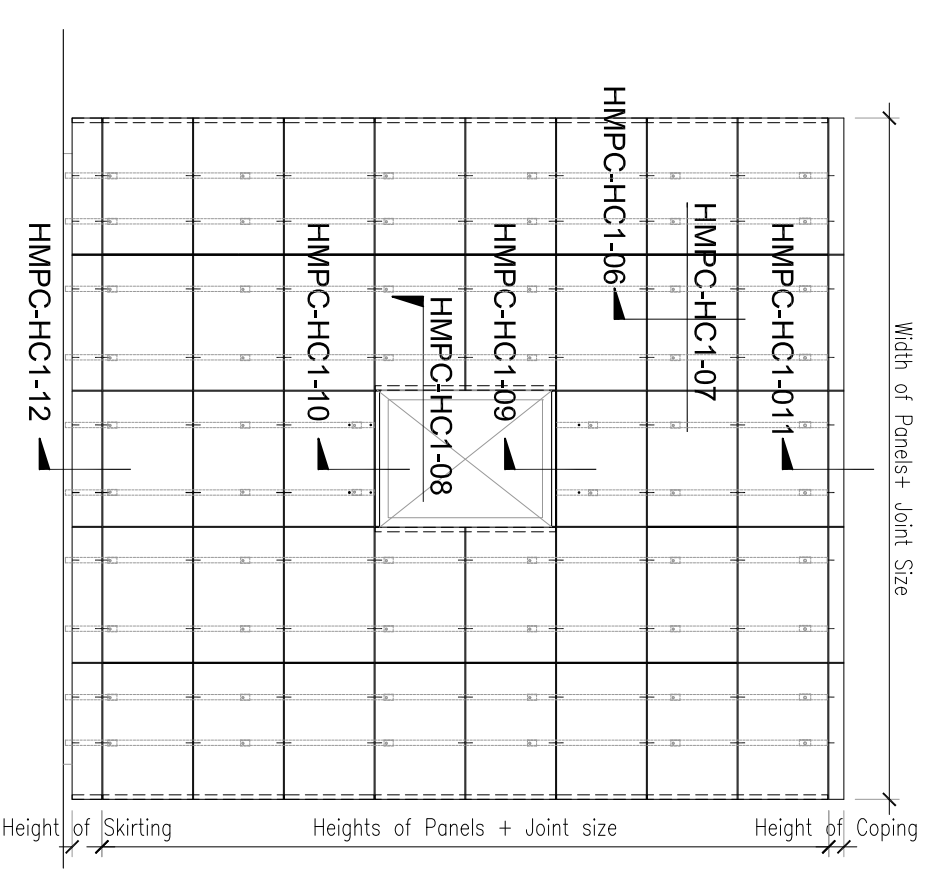
Title : Horizontal Joint Installation - Stone Reveal - Horizontal Section			
Drawing No.	HAZCD-HMPC-HC1-ST-09		
Series	Concept Drawings - Natural Stone Fixing System - HMP Sub Channel System		
Revision	01	Scale	As Shown
		Paper Size:	A3
		Page :	9/20

# HMPC-HC1

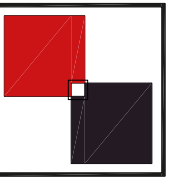
## SUB CHANNEL SYSTEM



Vertical section Scale 1:4



Elevation Scale 1:50



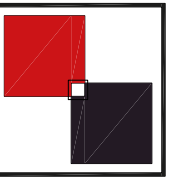
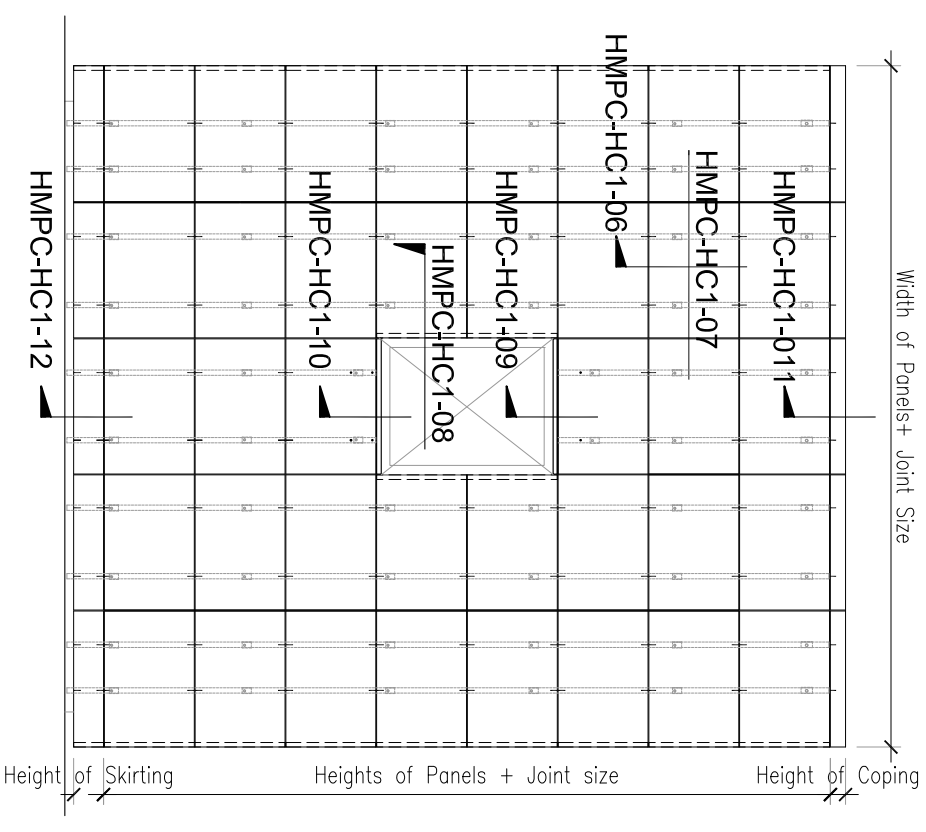
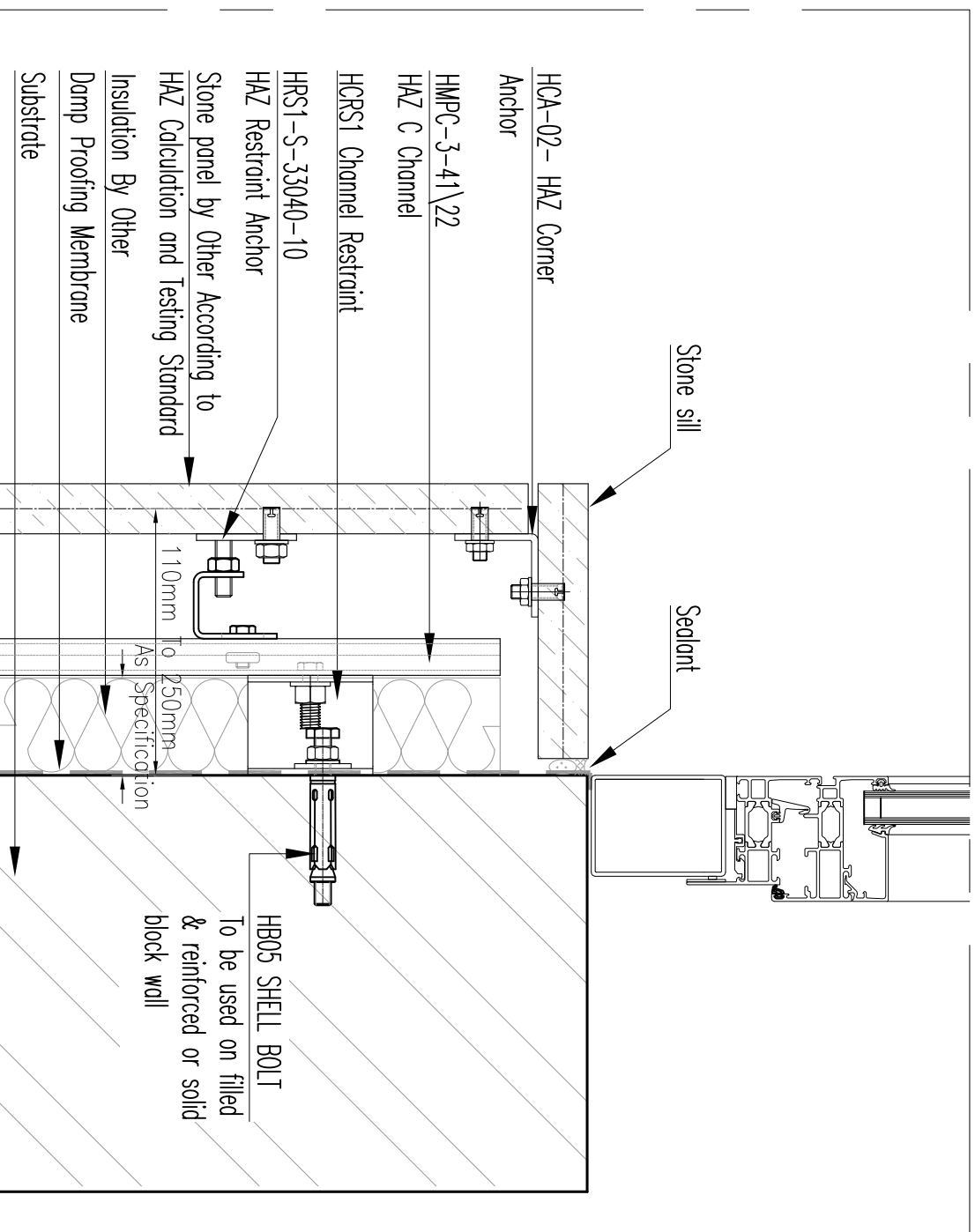
**HAZ METAL**  
**FIXING SYSTEMS**

HAZ METAL Sanayi ve Ticaret A.Ş  
PO Box 241 31200 Iskenderun / Turkey  
Tel: +90 326 6262050 Faks: 6262045  
info@hazmetal.com / www.hazmetal.com.

Title :		Vertical Joint Installation - Stone Soffit - Vertical Section		
Drawing No.	HAZCD-HMPC-HC1-ST-10			
Series	Concept Drawings - Natural Stone Fixing System - HMP Sub Channel System			
Revision	01	Scale	As Shown	Paper Size: A3
				Page : 10/20

# HMPC-HC1

## SUB CHANNEL SYSTEM



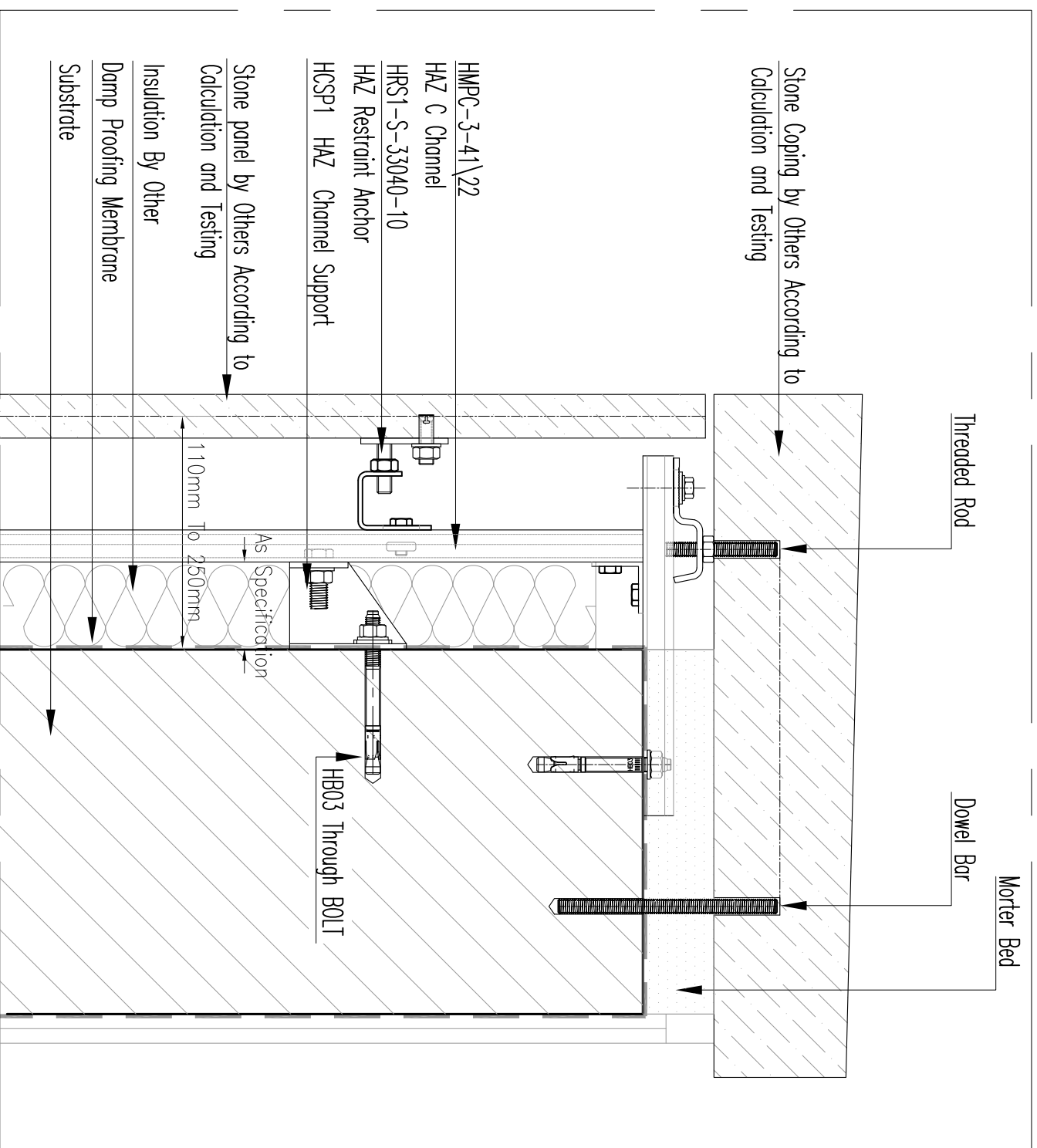
**HAZ METAL**  
**FIXING SYSTEMS**

HAZ METAL Sanayi ve Ticaret A.Ş  
PO Box 241 31200 Iskenderun / Turkey  
Tel: +90 326 6262050 Faks: 6262045  
info@hazmetal.com / www.hazmetal.com.

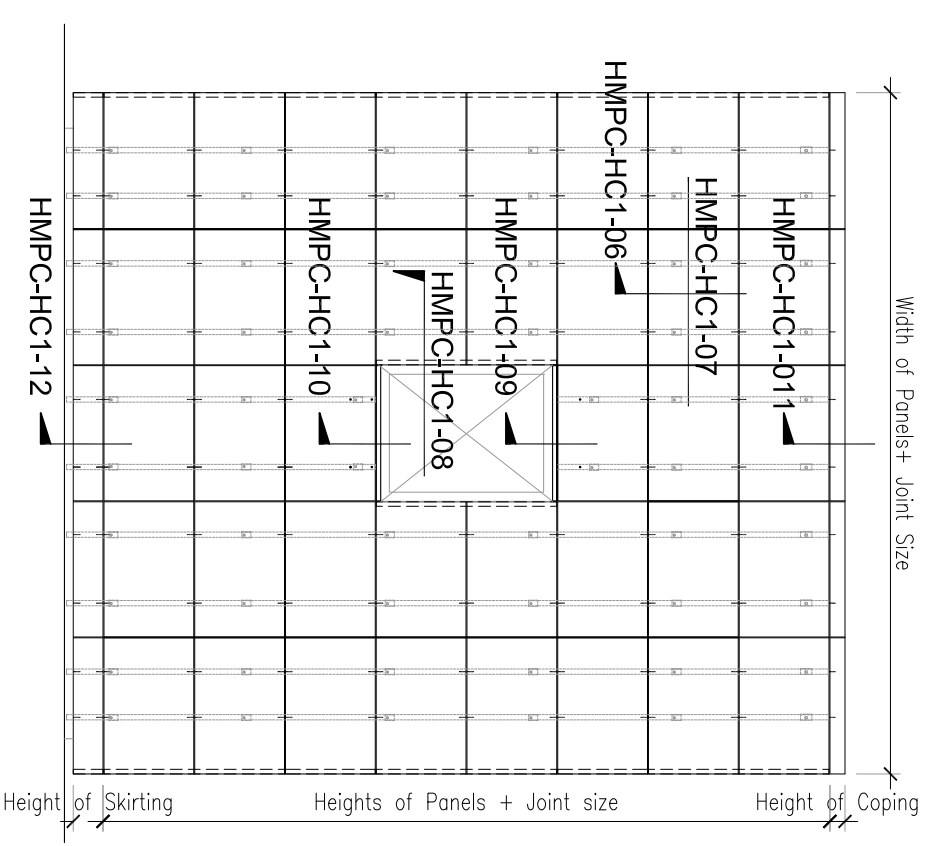
Title :		Vertical Joint Installation - Stone Sill - Vertical Section		
Drawing No.	HAZCD-HMPC-HC1-ST-11			
Series	Concept Drawings - Natural Stone Fixing System - HMP Sub Channel System			
Revision	01	Scale	As Shown	Paper Size: A3
				Page : 11/20

# HMPC-HC1

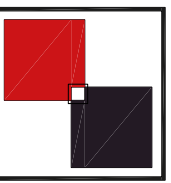
## SUB CHANNEL SYSTEM



Vertical section Scale 1:4



Elevation Scale 1:50



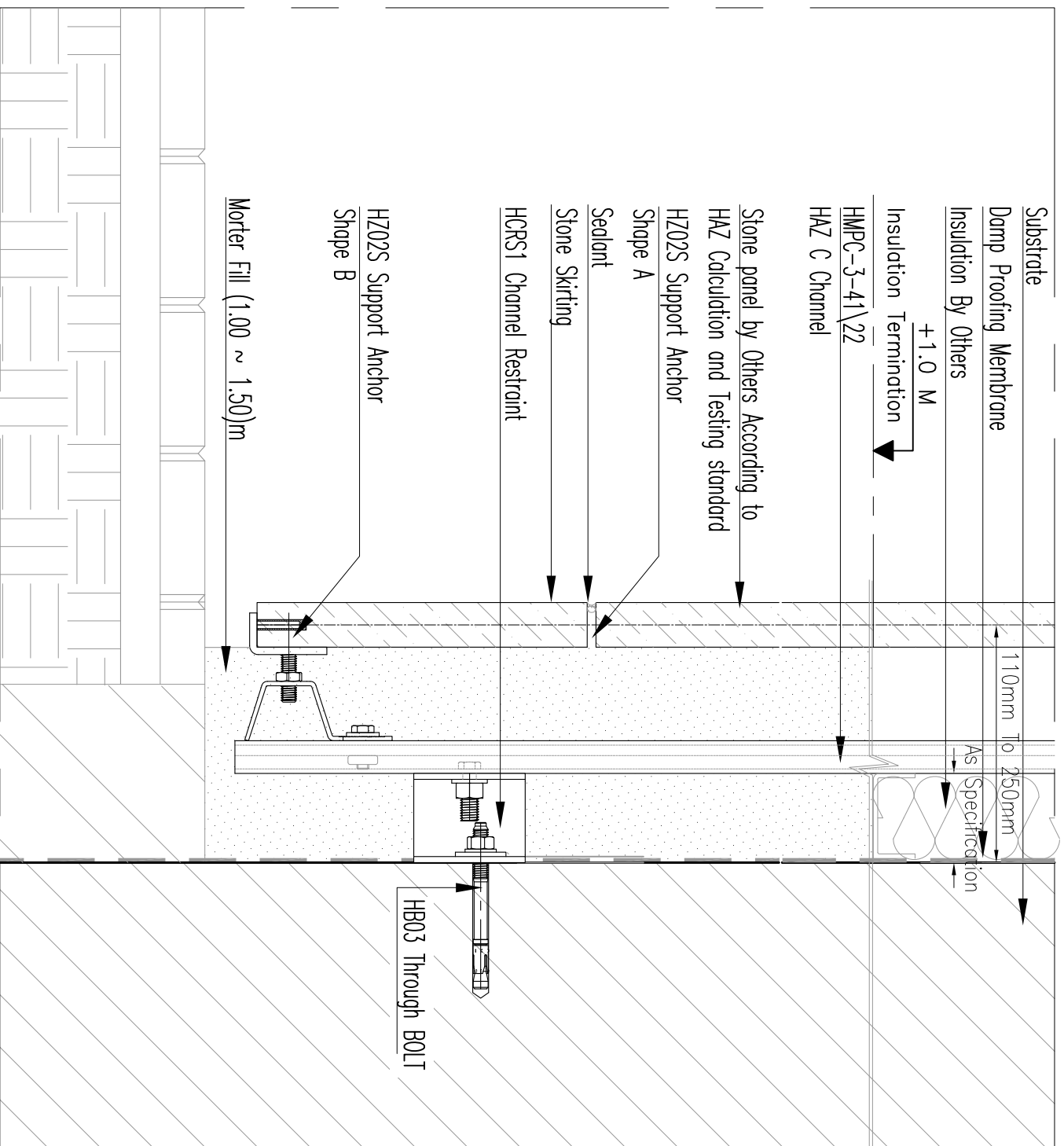
**HAZ METAL**  
**FIXING SYSTEMS**

HAZ METAL Sanayi ve Ticaret A.Ş  
PO Box 241 31200 Iskenderun / Turkey  
Tel: +90 326 6262050 Faks: 6262045  
info@hazmetal.com / www.hazmetal.com.

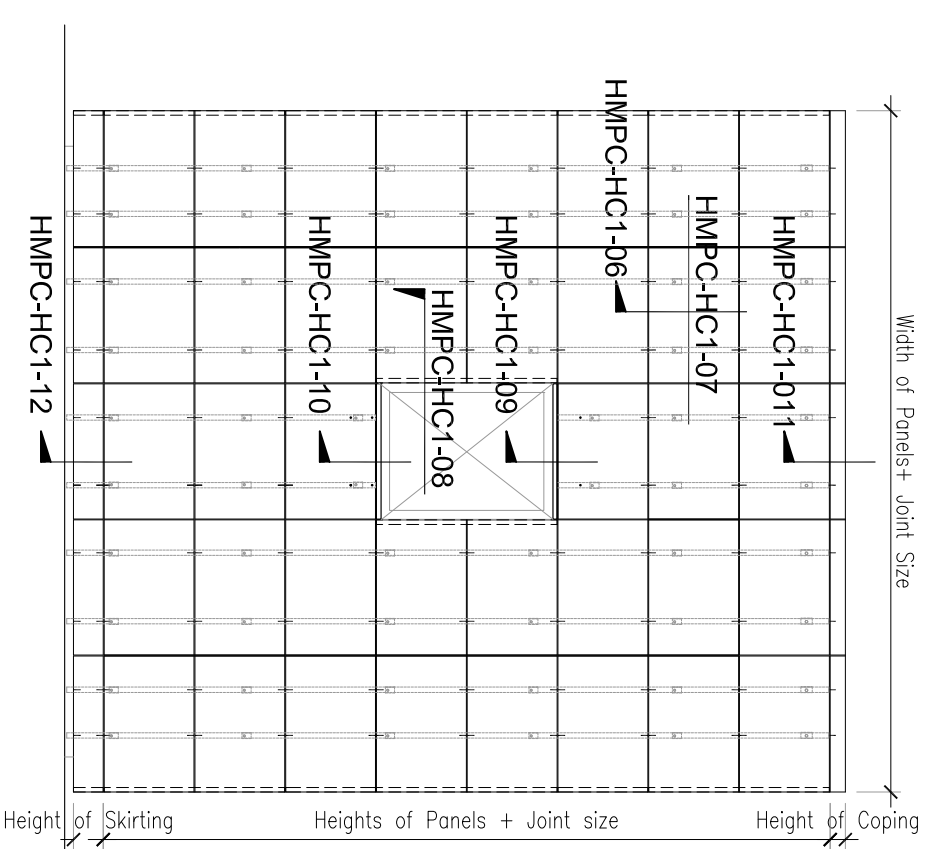
Title :		Horizontal Joint Installation - Stone Coping - Vertical Section		
Drawing No.	HAZCD-HMPC-HC1-ST-12			
Series	Concept Drawings - Natural Stone Fixing System - HMP Sub Channel System			
Revision	01	Scale	As Shown	Paper Size: A3
				Page : 12/20

# HMPC-HC1

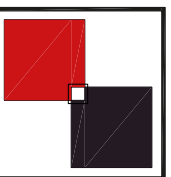
## SUB CHANNEL SYSTEM



Vertical section Scale 1:4



Elevation Scale 1:50



**HAZ METAL**  
**FIXING SYSTEMS**

HAZ METAL Sanayi ve Ticaret A.S  
PO Box 241 31200 Iskenderun / Turkey  
Tel: +90 326 6262050 Faks: 6262045  
info@hazmetal.com / www.hazmetal.com.

Title : Horizontal Joint Installation - Stone Skirting - Vertical Section

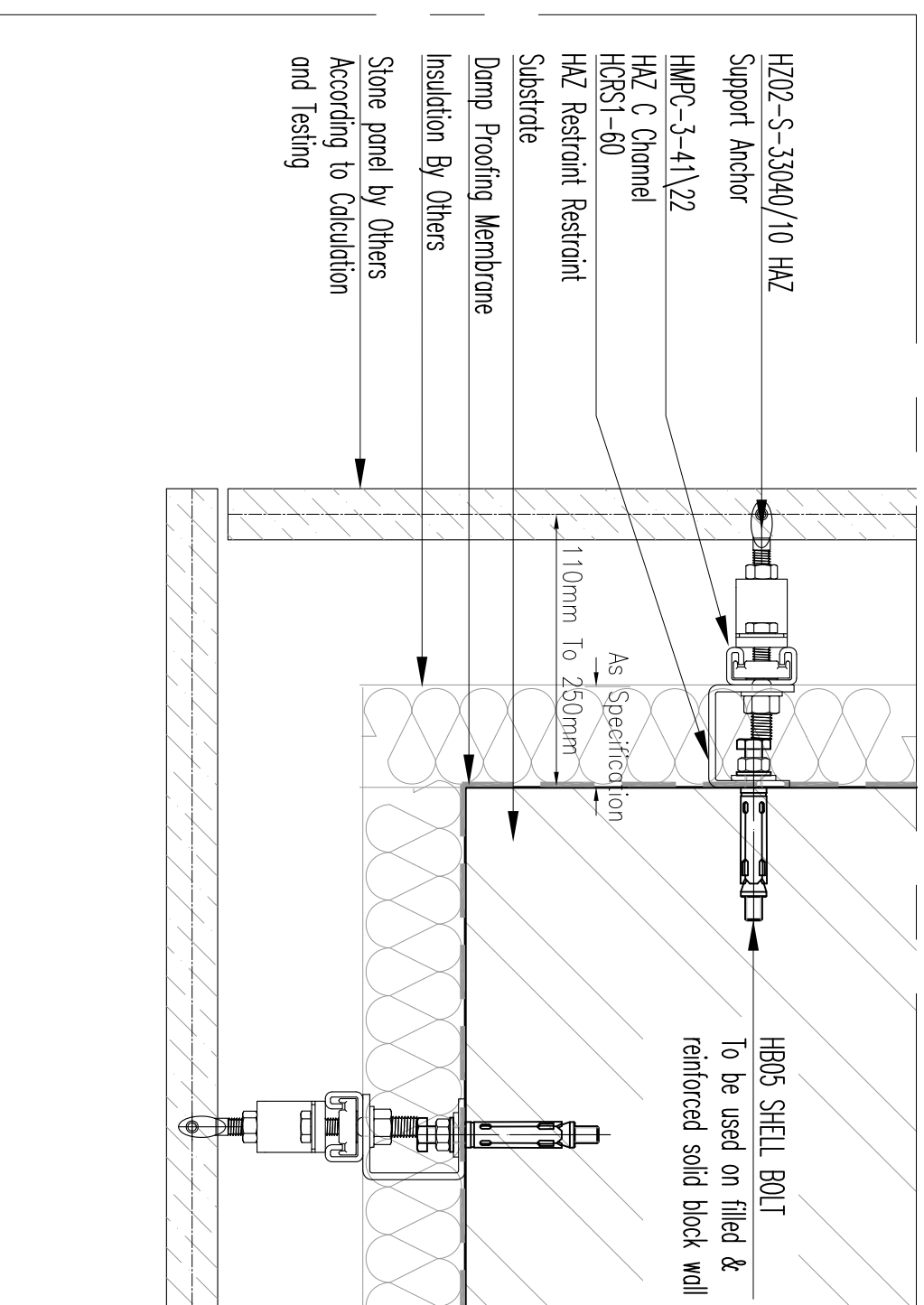
Drawing No. HAZCD-HMPC-HC1-ST-13

Series Concept Drawings - Natural Stone Fixing System - HMP Sub Channel System

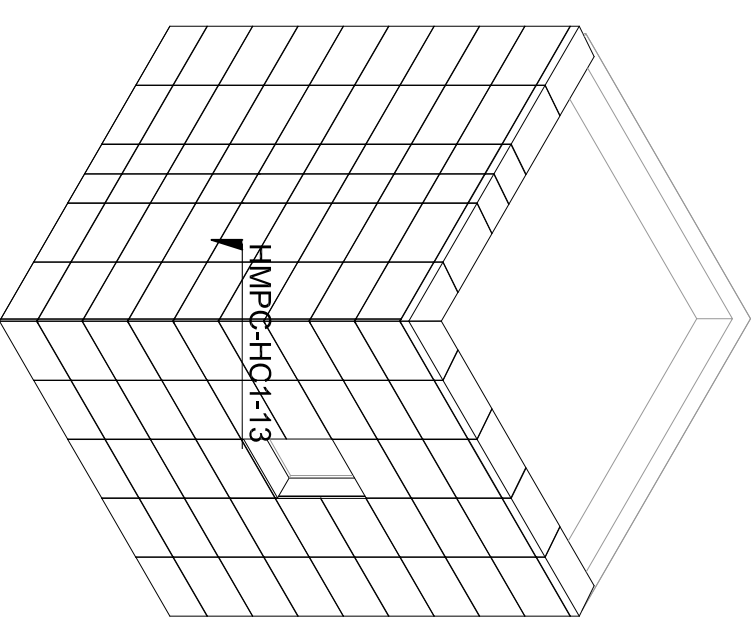
Revision	Scale	Paper Size:	Page :
01	As Shown	A3	13/20

# HMPC-HC1

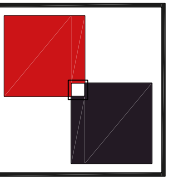
## SUB CHANNEL SYSTEM



Horizontal section Scale 1:4



Isometric Scale 1:100



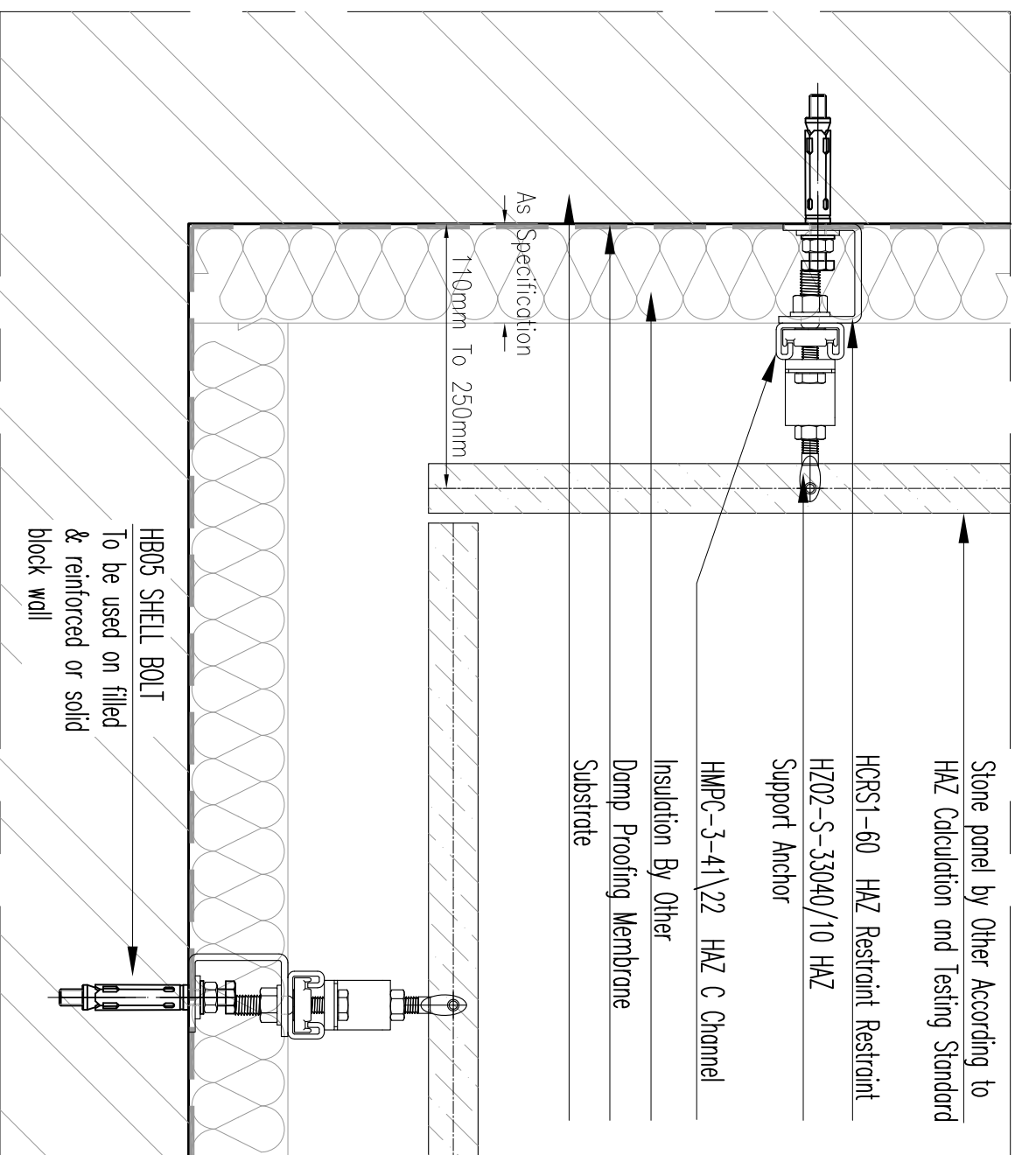
**HAZ METAL**  
**FIXING SYSTEMS**

HAZ METAL Sanayi ve Ticaret A.Ş  
PO Box 241 31200 Iskenderun / Turkey  
Tel: +90 326 6262050 Faks: 6262045  
info@hazmetal.com / www.hazmetal.com.

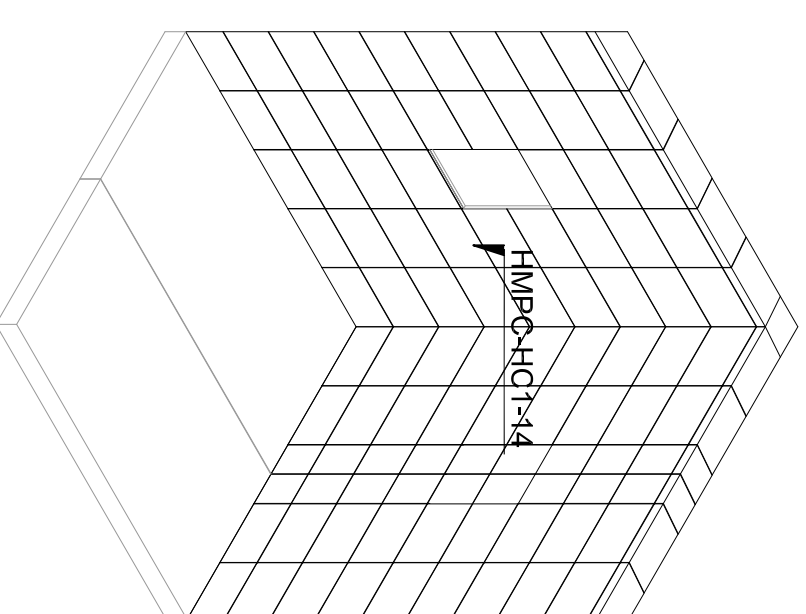
Title :		Horizontal Joint Installation - External Corner Stone Cladding - Horizontal Section		
Drawing No.	HAZCD-HMPC-HC1-ST-14			
Series	Concept Drawings - Natural Stone Fixing System - HMP Sub Channel System			
Revision	01	Scale	As Shown	Paper Size: A3
				Page : 14/20

# HMPC-HC1

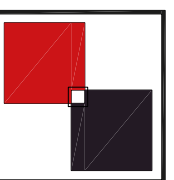
## SUB CHANNEL SYSTEM



Horizontal section Scale 1:4



Isometric Scale 1:100



**HAZ METAL**  
**FIXING SYSTEMS**

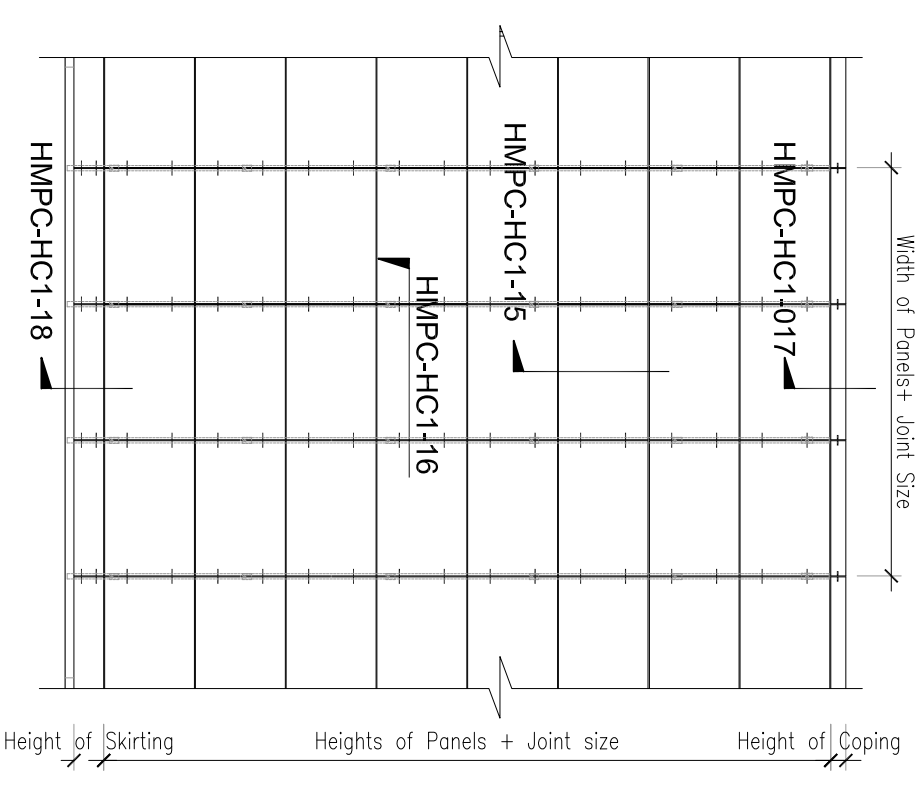
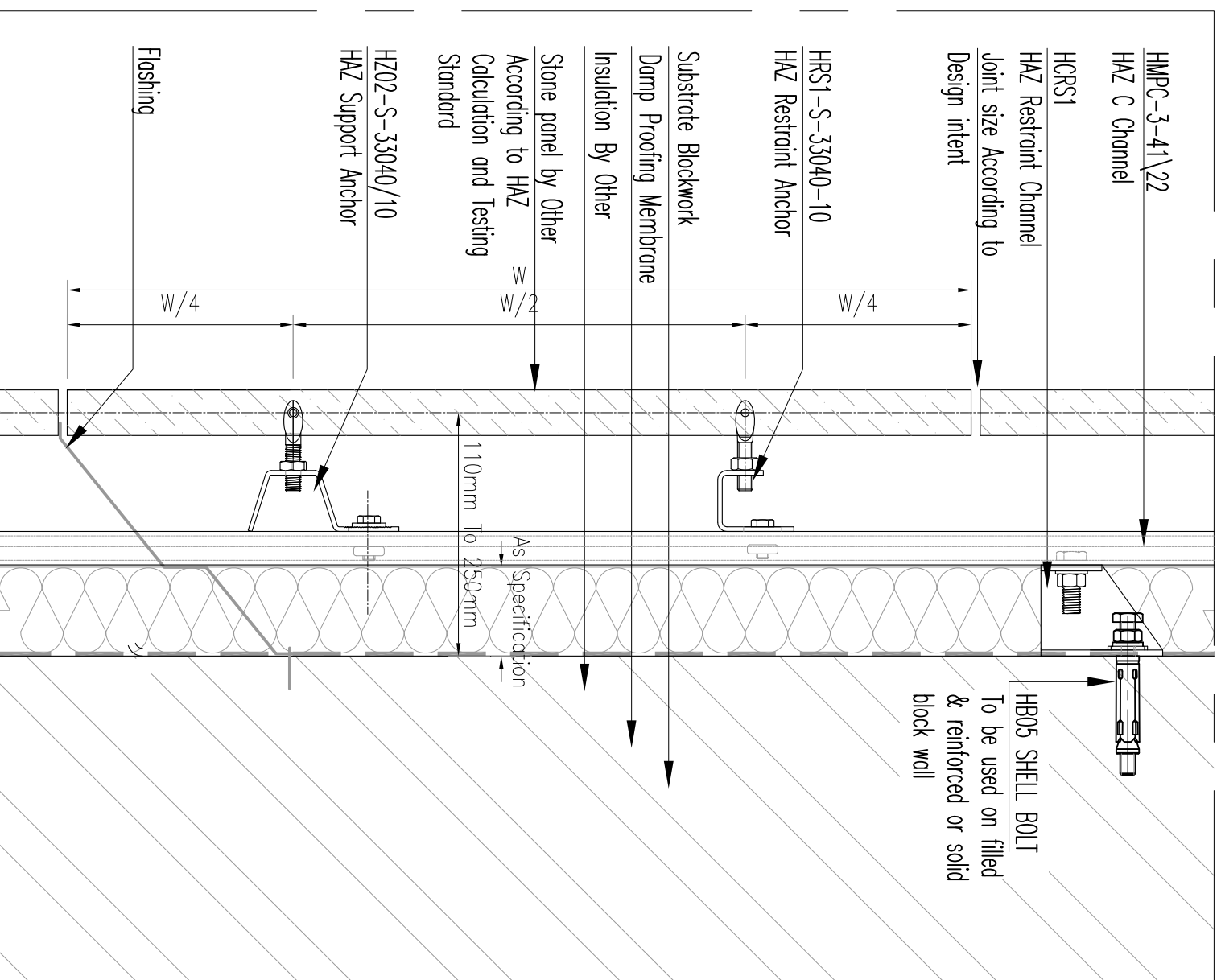
HAZ METAL Sanayi ve Ticaret A.Ş  
PO Box 241 31200 Iskenderun / Turkey  
Tel: +90 326 6262050 Faks: 6262045  
info@hazmetal.com / www.hazmetal.com.

Title :	Horizontal Joint Installation - Internal Corner Stone Cladding - Horizontal Section						
Drawing No.	HAZCD-HMPC-HC1-ST-15						
Series	Concept Drawings - Natural Stone Fixing System - HMP Sub Channel System						
Revision	01	Scale	As Shown	Paper Size:	A3	Page :	15/20



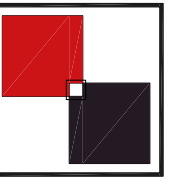
# HMPC-HC1

## SUB CHANNEL SYSTEM



Vertical section Scale 1:4

Elevation Scale 1:50



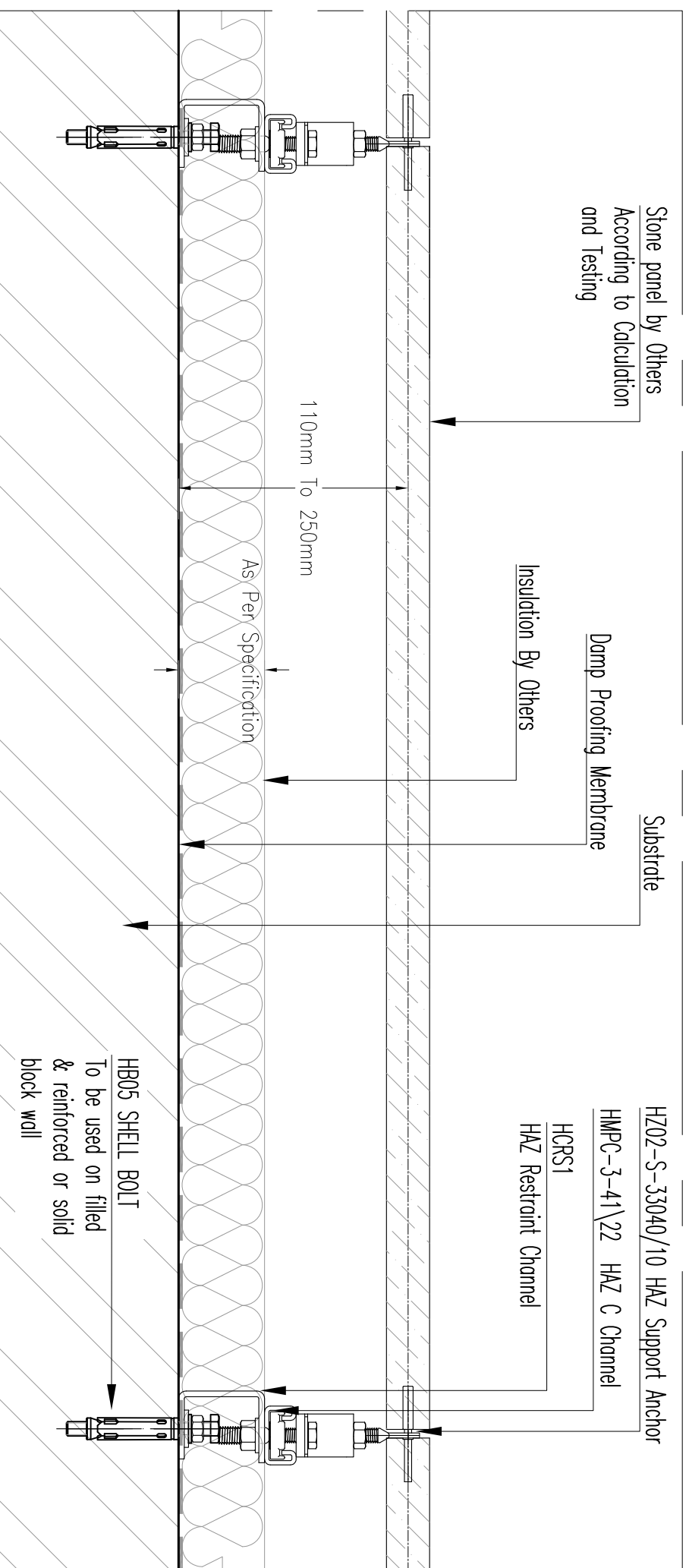
**HAZ METAL**  
**FIXING SYSTEMS**

HAZ METAL Sanayi ve Ticaret A.Ş  
PO Box 241 31200 Iskenderun / Turkey  
Tel: +90 326 6262050 Faks: 6262045  
info@hazmetal.com / www.hazmetal.com.

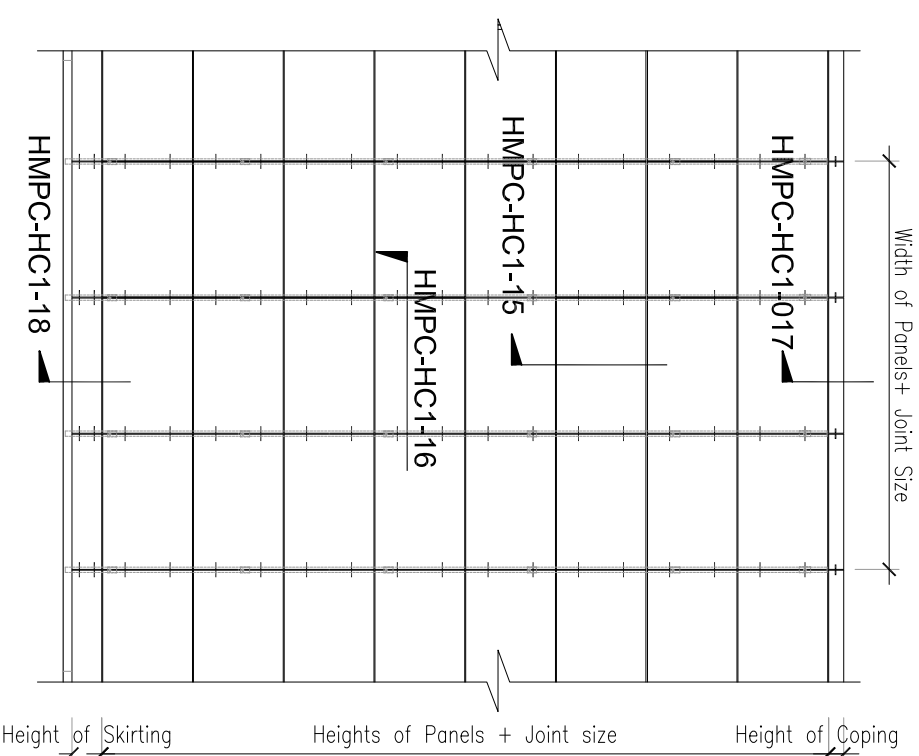
Title :		Vertical Joint Installation - Typical Stone Claddings - HMPC-HC1 System - Vertical Section		
Drawing No.	HAZCD-HMPC-HC1-ST-16			
Series	Concept Drawings - Natural Stone Fixing System - HMP Sub Channel System			
Revision	01	Scale	As Shown	Paper Size: A3
				Page : 16/20

# HMPC-HC1

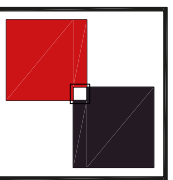
## SUB CHANNEL SYSTEM



Horizontal section Scale 1:4



Elevation Scale 1:50



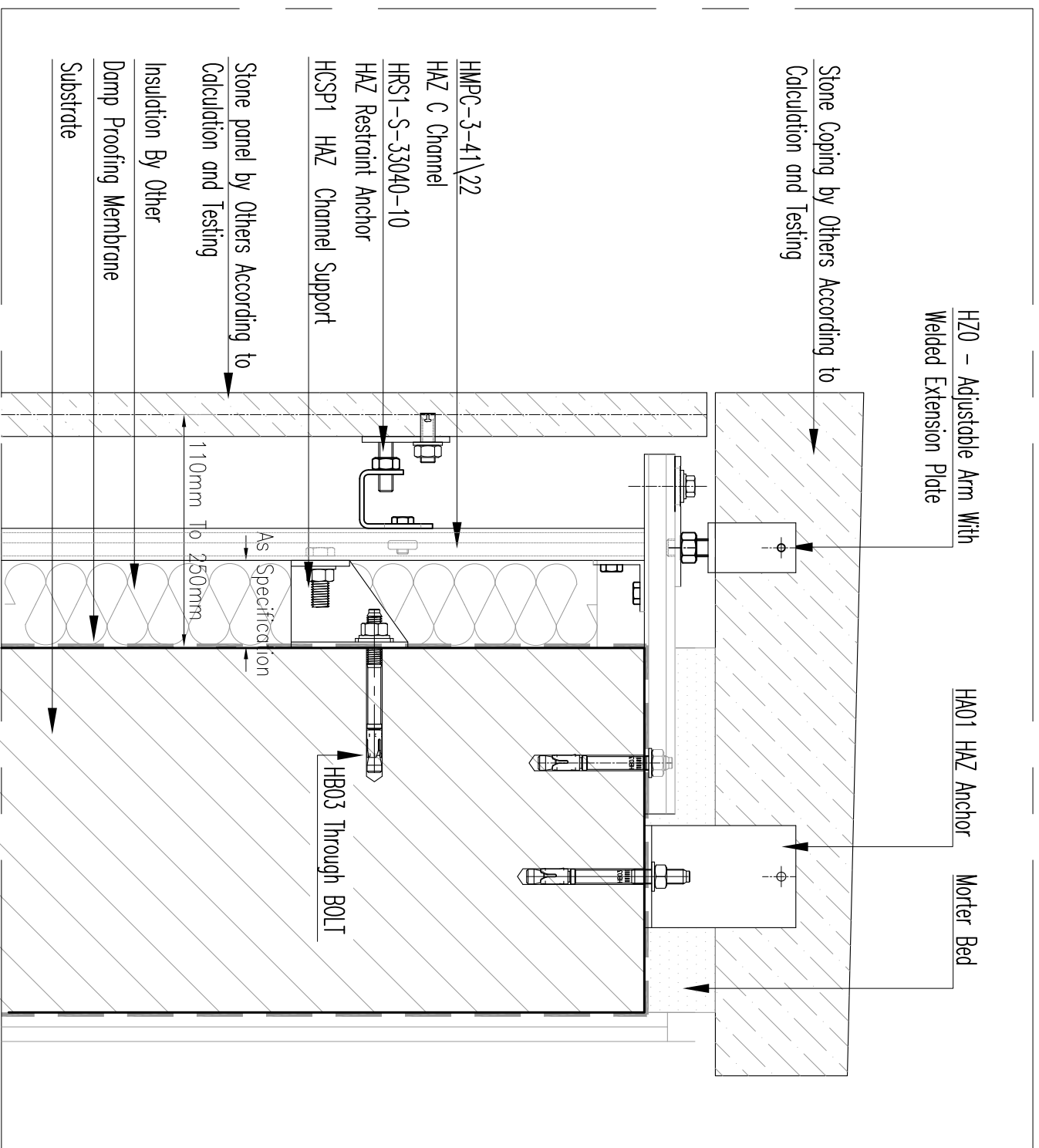
**HAZ METAL**  
**FIXING SYSTEMS**

HAZ METAL Sanayi ve Ticaret A.Ş  
PO Box 241 31200 Iskenderun / Turkey  
Tel: +90 326 6262050 Faks: 6262045  
info@hazmetal.com / www.hazmetal.com.

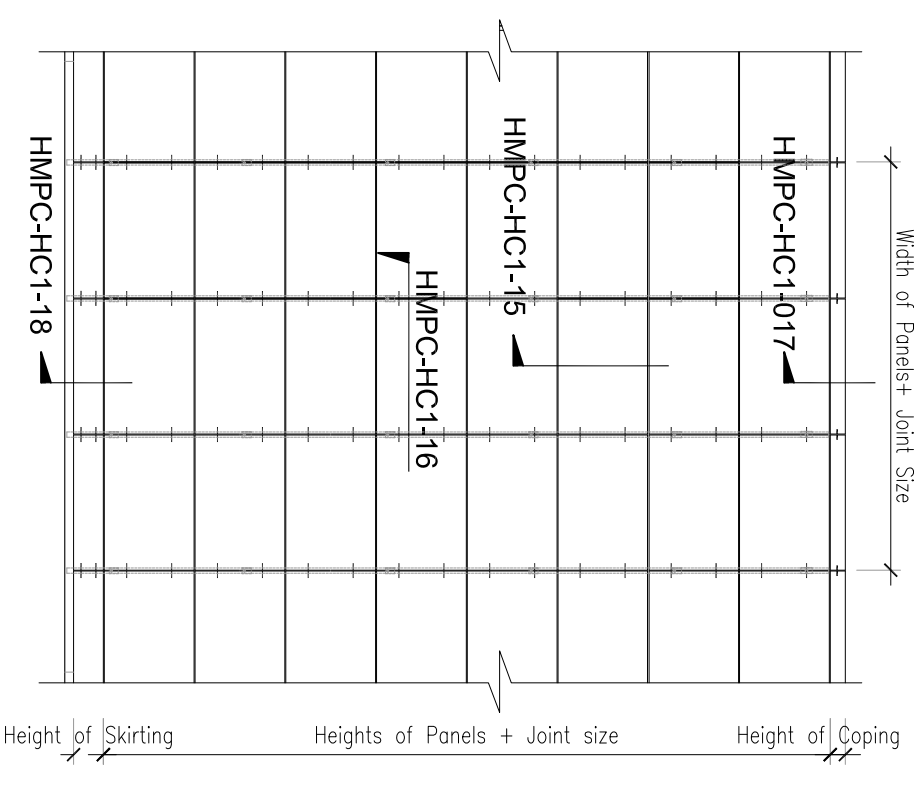
Title :		Vertical Joint Installation - Typical Stone Claddings - HMPC-HC1 System - Horizontal Section		
Drawing No.	HAZCD-HMPC-HC1-ST-17			
Series	Concept Drawings - Natural Stone Fixing System - HMP Sub Channel System			
Revision	01	Scale	As Shown	Paper Size: A3
			Page :	17/20

# HMPC-HC1

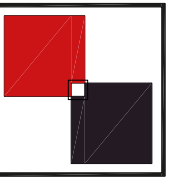
## SUB CHANNEL SYSTEM



Vertical section Scale 1:4



Elevation Scale 1:50



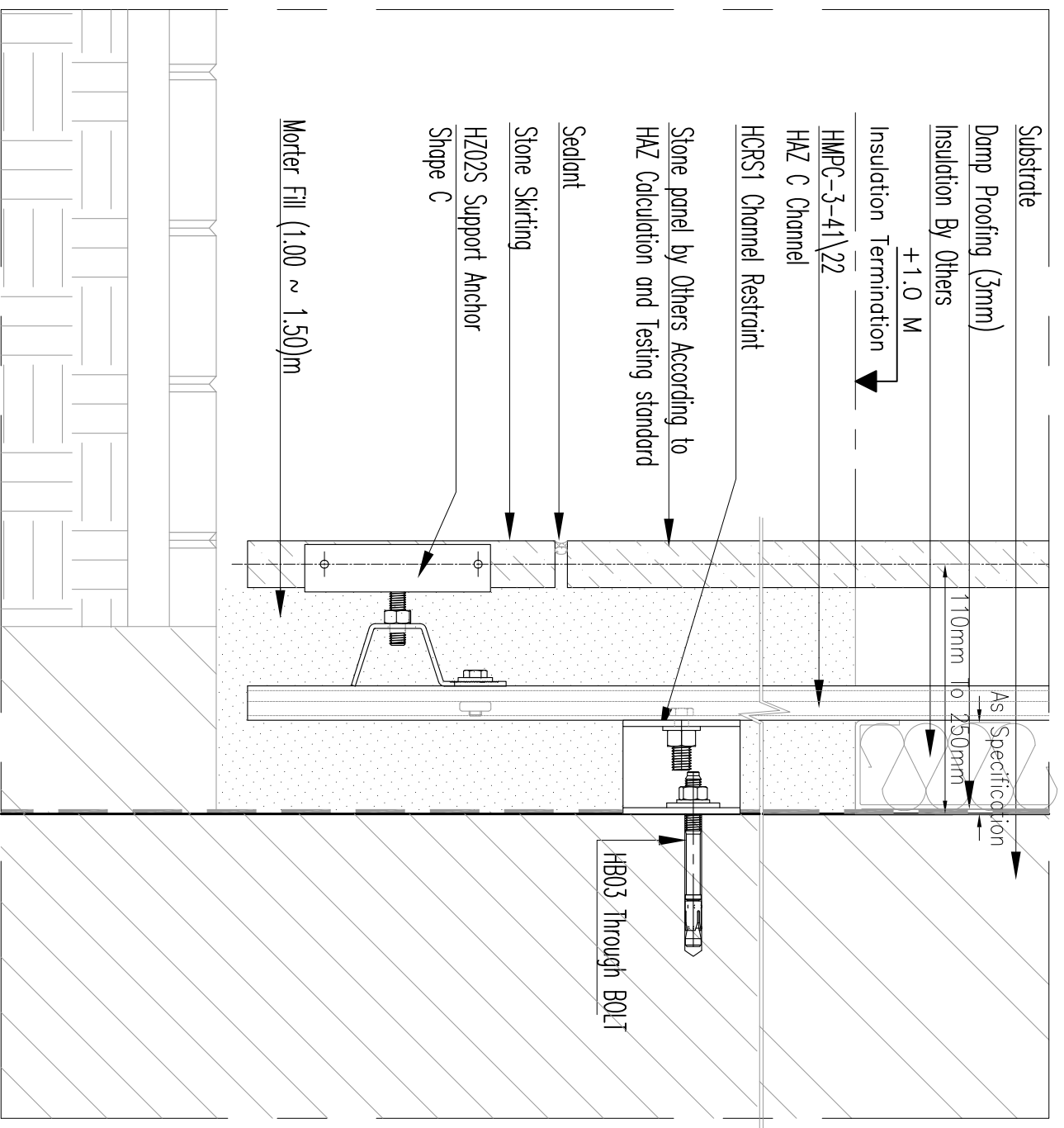
**HAZ METAL**  
**FIXING SYSTEMS**

HAZ METAL Sanayi ve Ticaret A.Ş  
PO Box 241 31200 Iskenderun / Turkey  
Tel: +90 326 6262050 Faks: 6262045  
info@hazmetal.com / www.hazmetal.com.

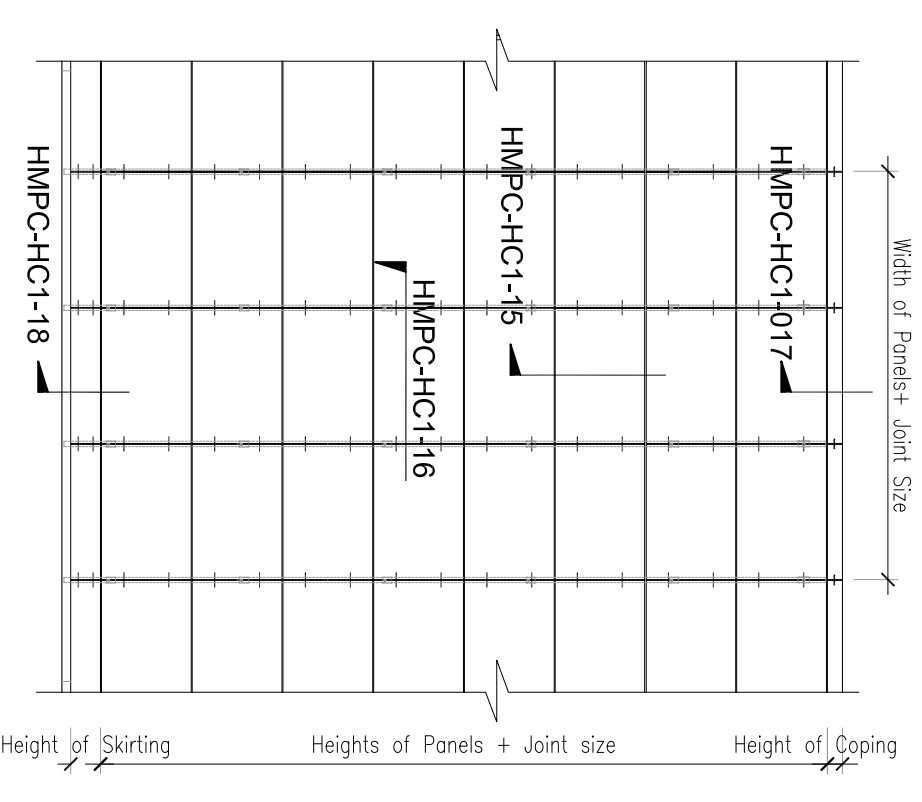
Title :	Vertical Joint Installation - Stone Coping - Vertical Section		
Drawing No.	HAZCD-HMPC-HC1-ST-18		
Series	Concept Drawings - Natural Stone Fixing System - HMP Sub Channel System		
Revision	01	Scale	As Shown
		Paper Size:	A3
		Page :	18/20

# HMPC-HC1

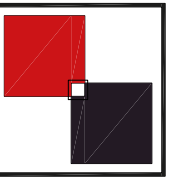
## SUB CHANNEL SYSTEM



Vertical section Scale 1:4



Elevation Scale 1:50



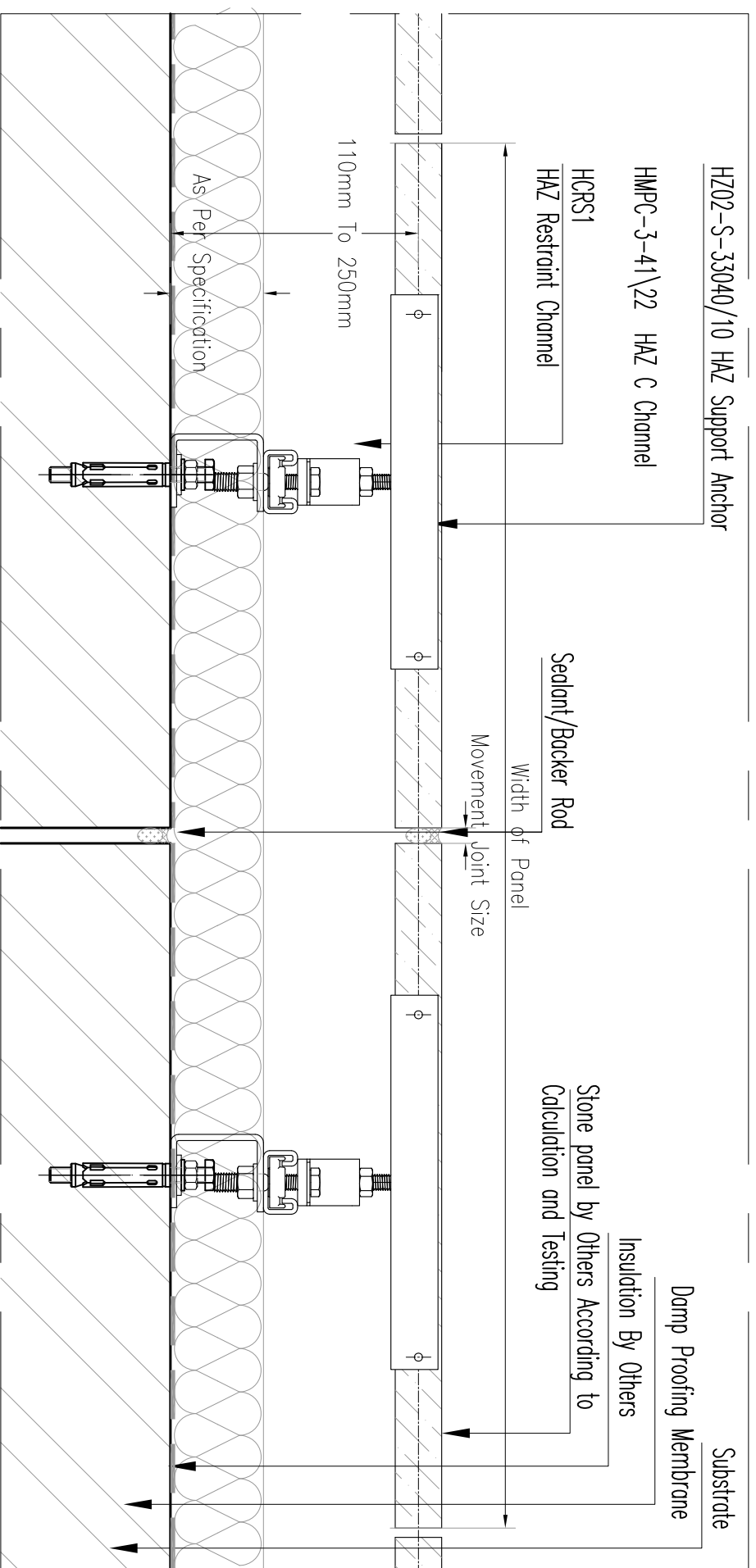
**HAZ METAL**  
**FIXING SYSTEMS**

HAZ METAL Sanayi ve Ticaret A.Ş  
PO Box 241 31200 Iskenderun / Turkey  
Tel: +90 326 6262050 Faks: 6262045  
info@hazmetal.com / www.hazmetal.com.

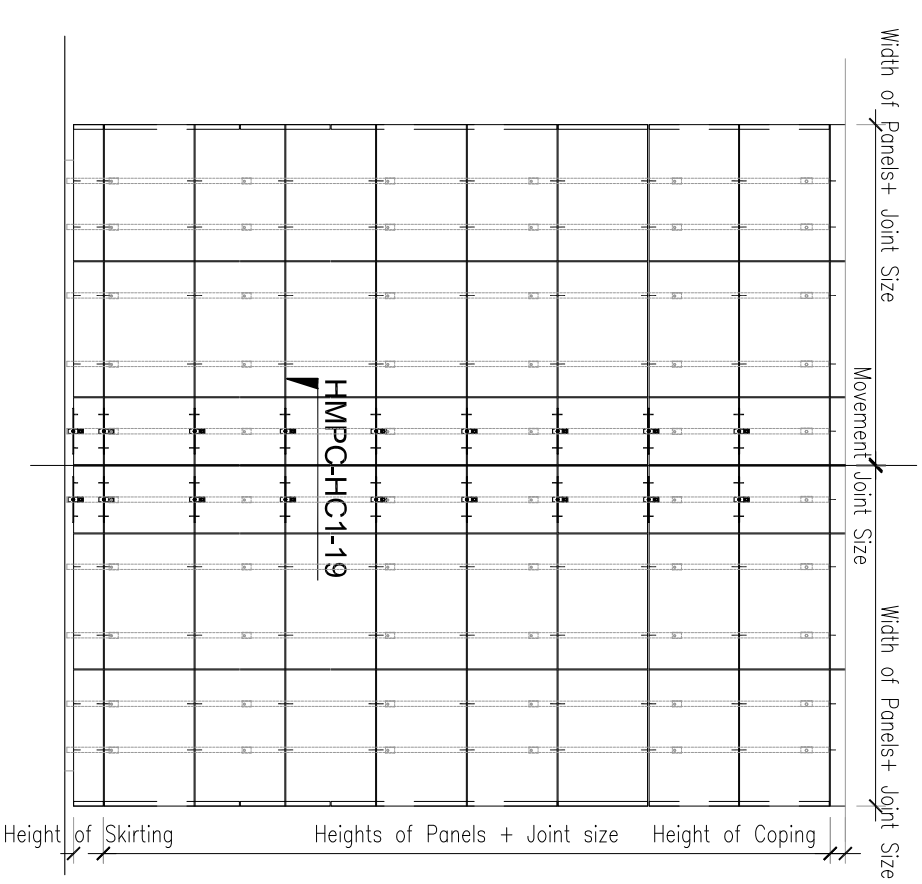
Title :		Vertical Joint Installation - Stone Skirting - Vertical Section		
Drawing No.	HAZCD-HMPC-HC1-ST-19			
Series	Concept Drawings - Natural Stone Fixing System - HMP Sub Channel System			
Revision	01	Scale	As Shown	Paper Size: A3
			Page :	19/20

# HMPC-HC1

## SUB CHANNEL SYSTEM



Horizontal section Scale 1:4



Variation on Typical Elevation  
Scale 1:50



HAZ METAL Sanayi ve Ticaret A.Ş  
PO Box 241 31200 Iskenderun / Turkey  
Tel: +90 326 6262050 Faks: 6262045  
info@hazmetal.com / www.hazmetal.com.

Title :		Horizontal Joint Installation - Typical Stone Claddings - Movement Joint - Horizontal Section		
Drawing No.	HAZCD-HMPC-HC1-ST-20			
Series	Concept Drawings - Natural Stone Fixing System - HMP Sub Channel System			
Revision	01	Scale	As Shown	Paper Size: A3
				Page : 20/20