

Anchor Channel Systems

HMPR Anchor channels are rolled channels with pressed studs that are cast in to concrete structures. This fixing system allows practical fixations into concrete walls, slabs, beams and columns that securely transfer the loads on to the building's substrate.

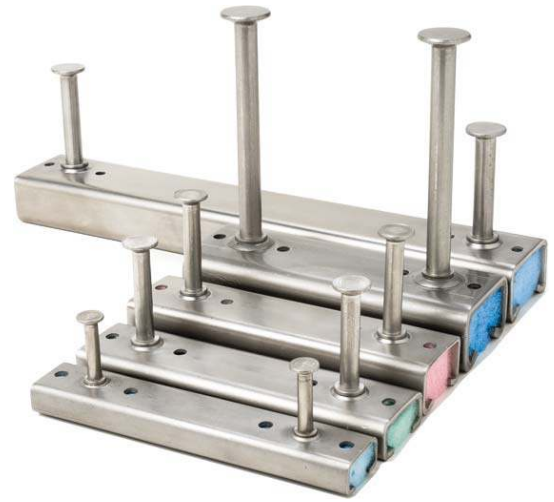
HTB T head bolts and **HMLN** lock nuts are used to allow secure and easy connections on to the cast in channels. The use of this system is applicable in a wide range of construction works.

Anchor channels are first secured to the form work at designated positions. Channels are provided with filler to avoid the concrete from entering inside the channel slot.

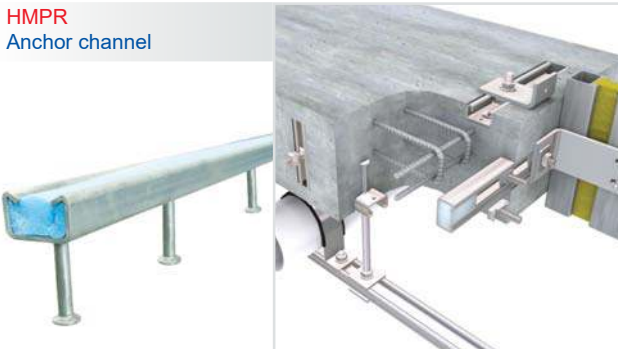
The filler is taken out after the concrete has dried and connections are made with corresponding T head bolts and lock nuts at desired positions. Three dimensional adjustability is achieved through flexible design.

The use of anchor channels for connections offers great advantages. The safe and reliable attachments with easy and quick production times lead to faster completions of the construction works.

The result is a quality finish at lower costs. The requirement of pre-design and prefixing in construction offers great advantages, in achieving better results.

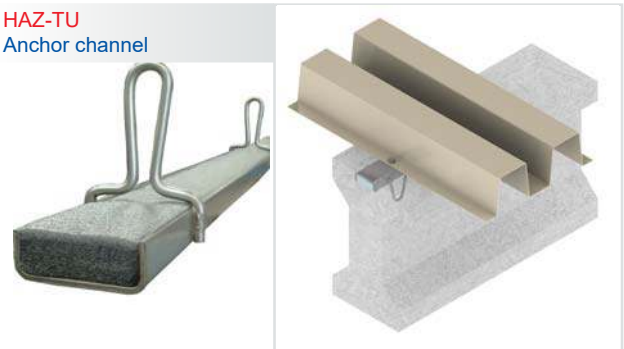


HMPR
Anchor channel



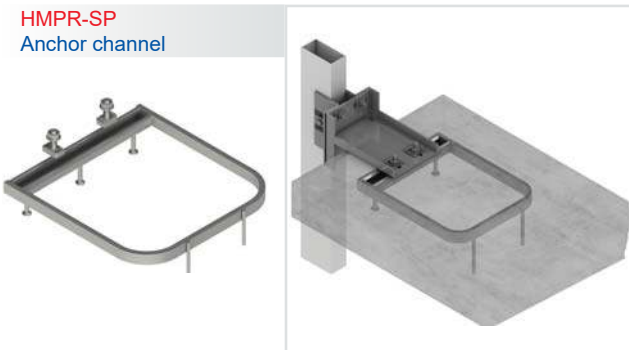
- Easy & secure fixing to concrete structures
- Load capacity of up to 30.9 kN on C30/37 concrete
- Fixing is made with suitable T head bolts
- Resistance loads are verified by certificates

HAZ-TU
Anchor channel



- Fast fixing of profiled metal sheets
- Fixing is made with self tabbing screws
- Load capacity of 5 kN at every 250 mm
- Resistance loads are verified by certificates

HMPR-SP
Anchor channel



- For fixing curtain wall panels
- Used for fixing on thin wall slabs
- Installation on top of slab
- Three dimensional adjustability

HWT
Wall tie



- Used for restraining purposes
- Easy connections of prefabricated units
- Sizes available for up to 150 mm cavity
- Tensile loads of up to 12.0 kN



Hyundai Innovation Centre, Singapore

Curtain wall application fixed on anchor channels

Anchor channels are widely used for the installation of curtain walls. Unitised panels with materials such as glass and natural stone, are prefabricated in to a single panel unit. These panels are erected on to the façades and are quickly and easily fixed on to anchor channels using T head bolts and special load bearing brackets.

Plumbing installation with anchor channels

Anchor channels are used for a variety of construction applications which require attachments made on to concrete. Pipe and duct installation and the installation of electrical wiring are the most common applications that are made using anchor channels. This method saves time and results in a high quality finishes.

