

HAZ METAL
FIXING SYSTEMS

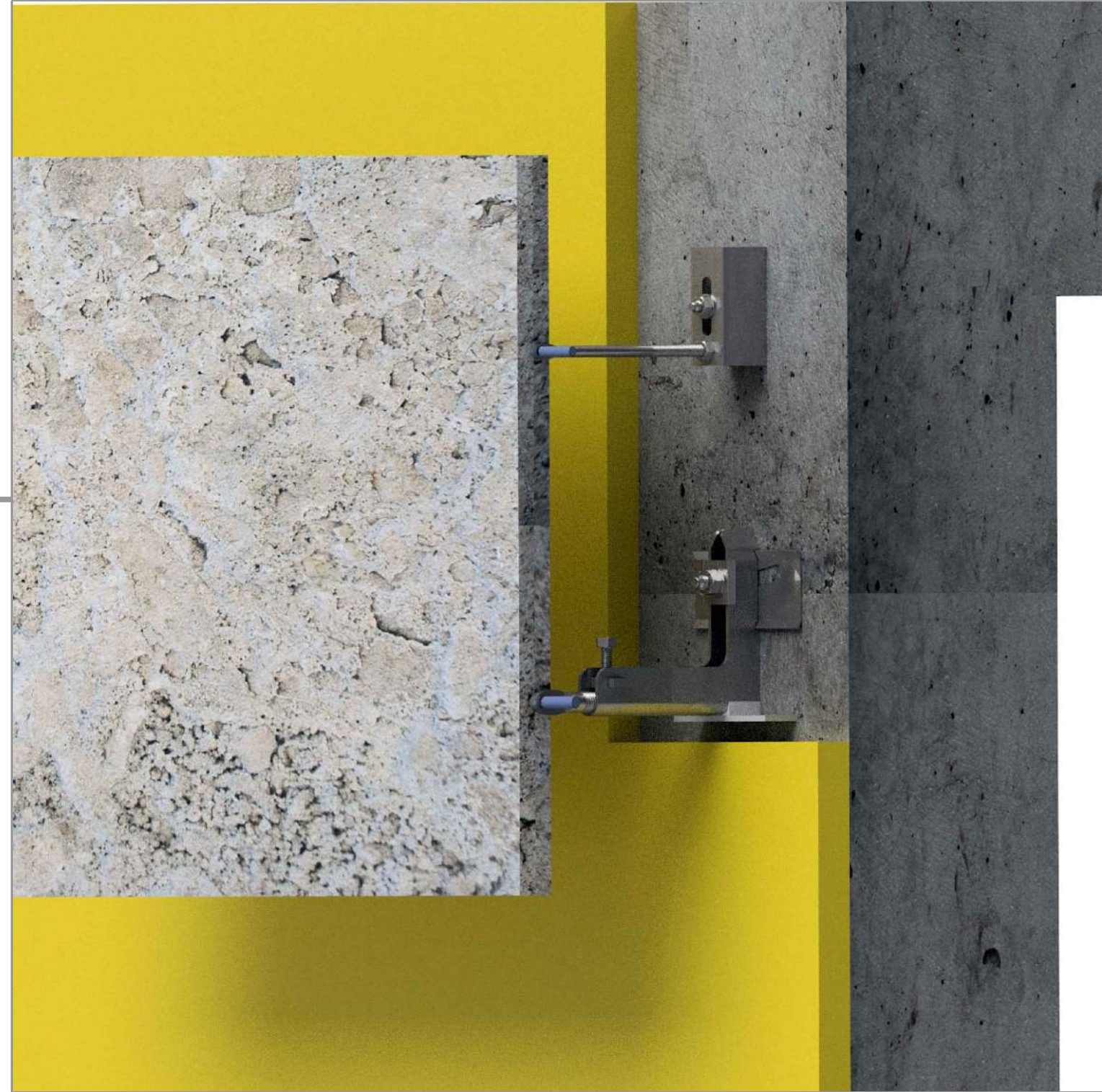
AXO4

AXO BODY ANCHOR FIXING SYSTEM

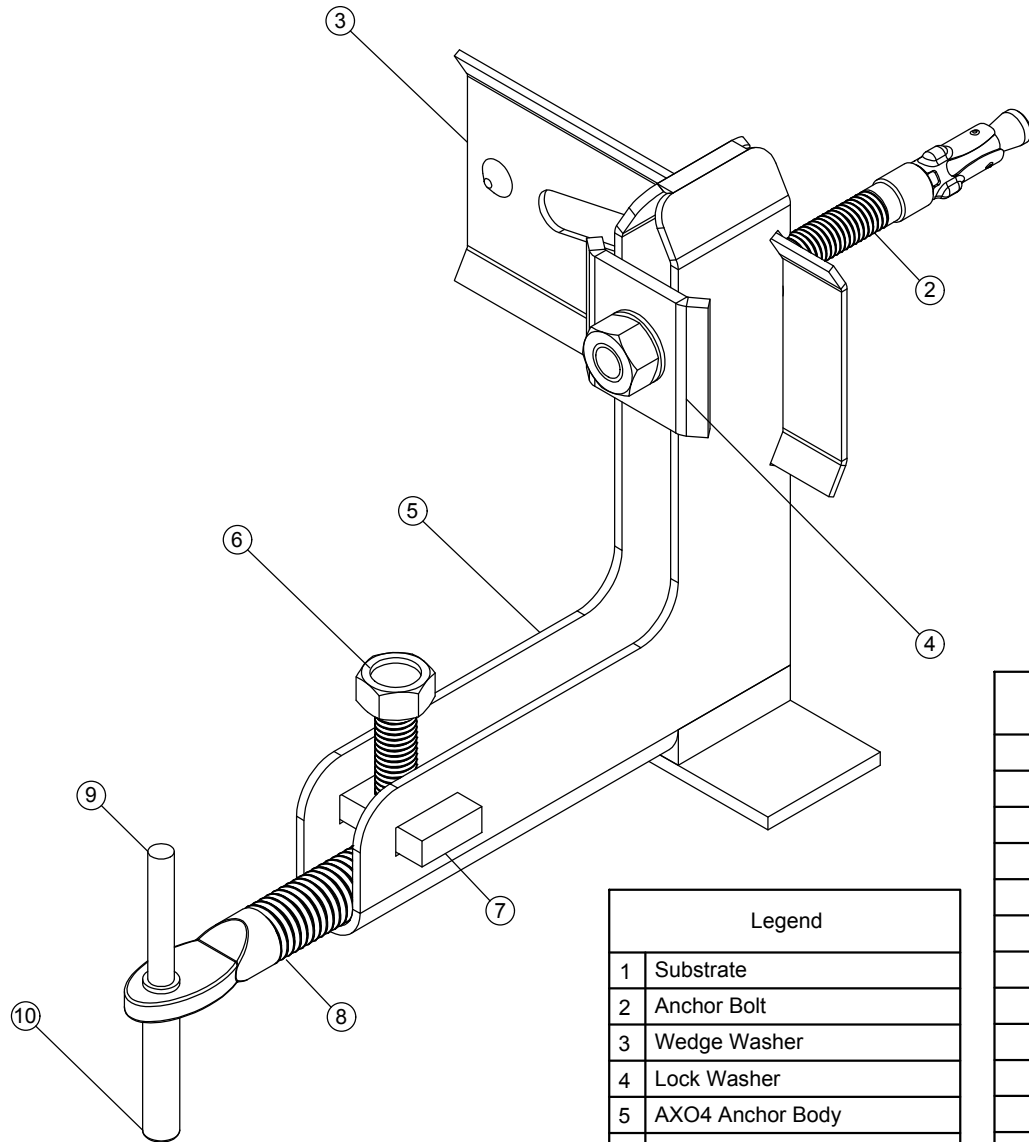
Concept Drawings

Series: HAZCD-AXO4-ST

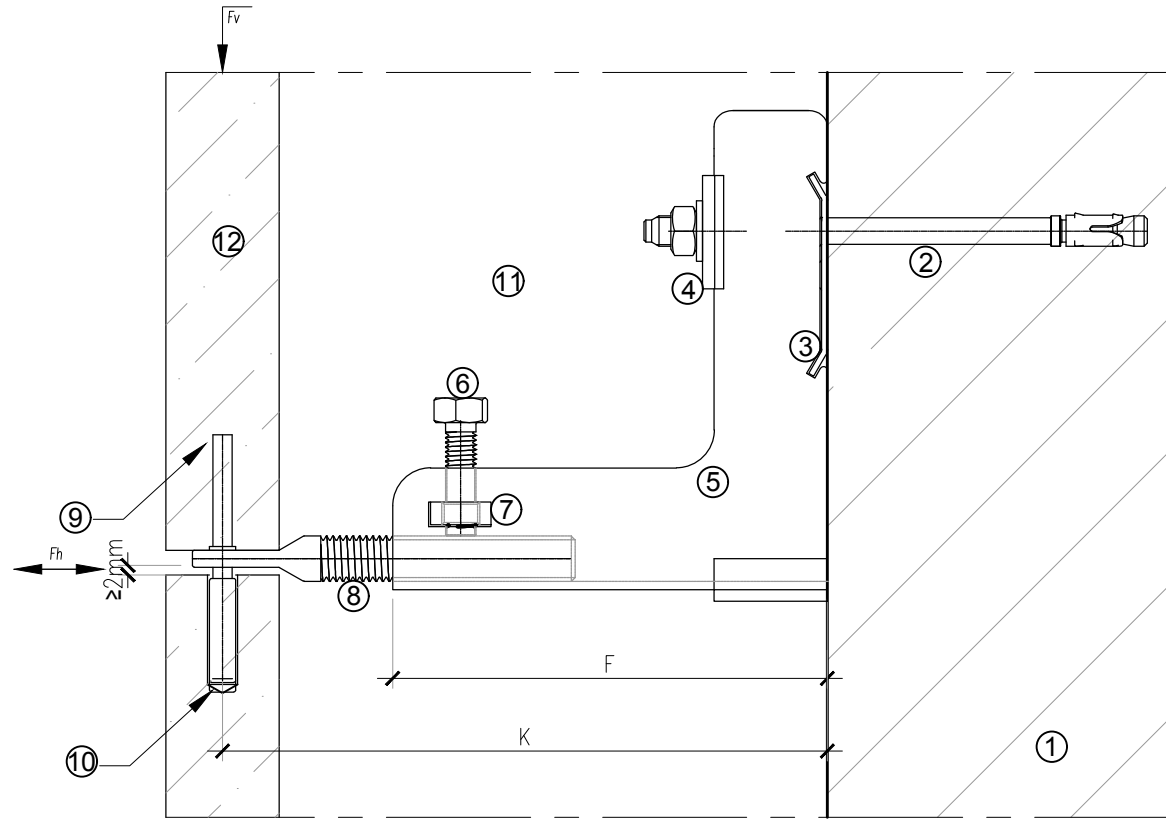
Direct Fixing System For Rain Screen
Stone Cladding System for Installation at
Vertical and Horizontal Joints



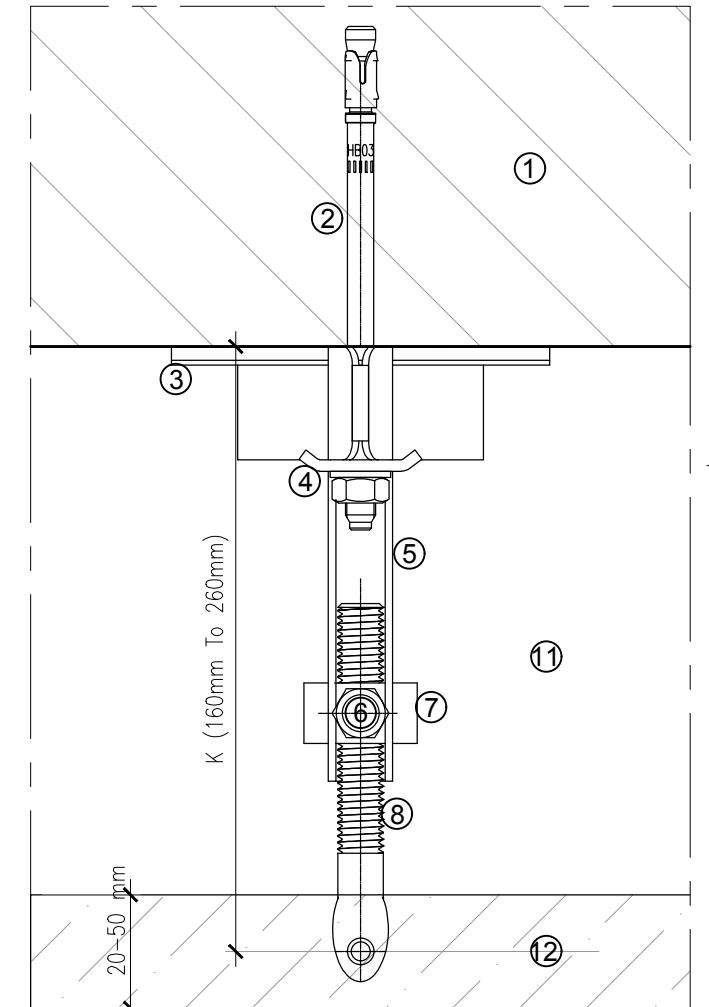
AXO4



Legend	
1	Substrate
2	Anchor Bolt
3	Wedge Washer
4	Lock Washer
5	AXO4 Anchor Body
6	Hex Bolt
7	Locking Plate
8	Adjustable Arm
9	FLANGED PIN
10	PLASTIC TUBE
11	Cavity
12	Stone Cladding Panel



Vertical Section Scale 1:2



Horizontal Section Scale 1:2

Product Code	Projection K(mm)	Perm. Load Fv(kN)	Wind Load Fv(kN)	Body size (mm)	Adjustable arm (mm)	Bolt size (Metric)
AXO4-1605	160	500	500	F115	M12X100	M8X120
AXO4-1805	180					
AXO4-2005	200					
AXO4-2205	220					
AXO4-2405	240					
AXO4-2605	260	900	1000	F215	M14X100	M10X130
AXO4-1609	160					
AXO4-1809	180					
AXO4-2009	200					
AXO4-2209	220					
AXO4-2409	240	1300	1300	F195	M16X100	
AXO4-2609	260					
AXO4-16013	160					
AXO4-18013	180					
AXO4-20013	200					
AXO4-22013	220					
AXO4-24013	240					
AXO4-26013	260					



HAZ METAL Sanayi ve Ticaret A.S
 PO Box 241 31200 Iskenderun / Turkey
 Tel: +90 326 6262050 Faks: 6262045
 info@hazmetal.com / www.hazmetal.com.

Title : Natural Stone Facade - Built-up Cavity Wall - System AXO4 Specification

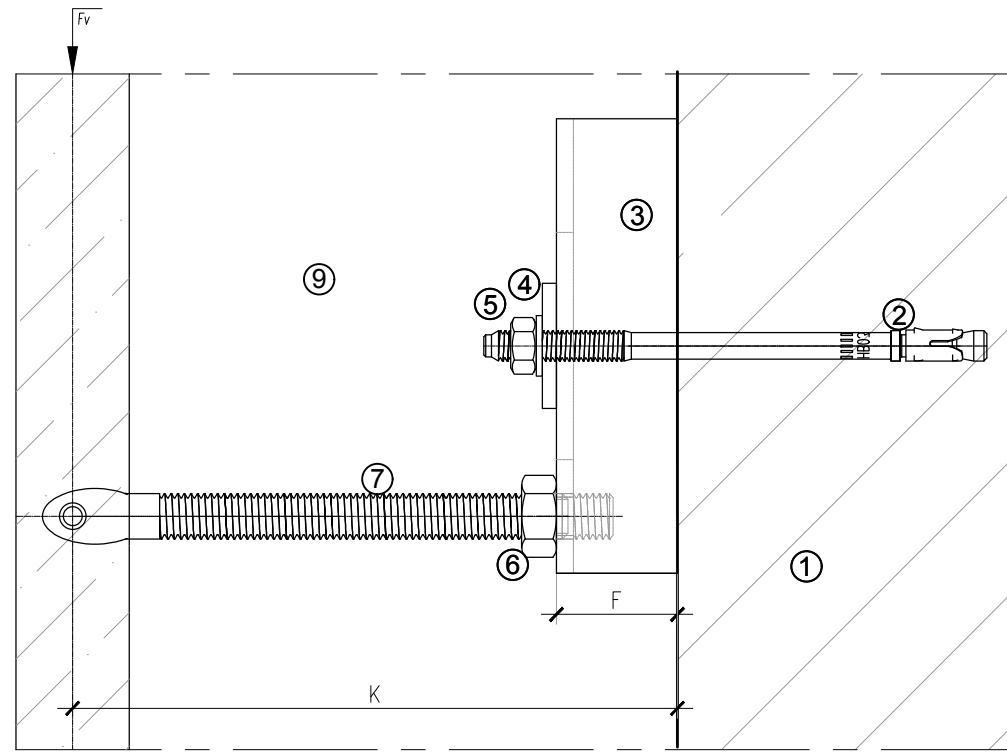
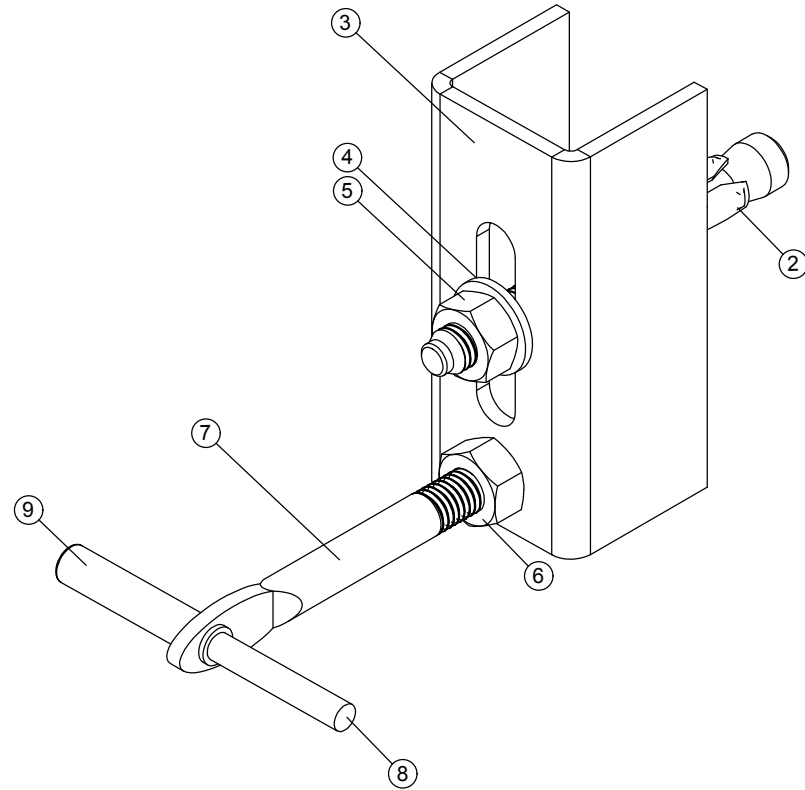
Drawing No. HAZCD-AXO4 - ST-01

Series Concept Drawings - Natural Stone Fixing System - AXO4 Support Anchors

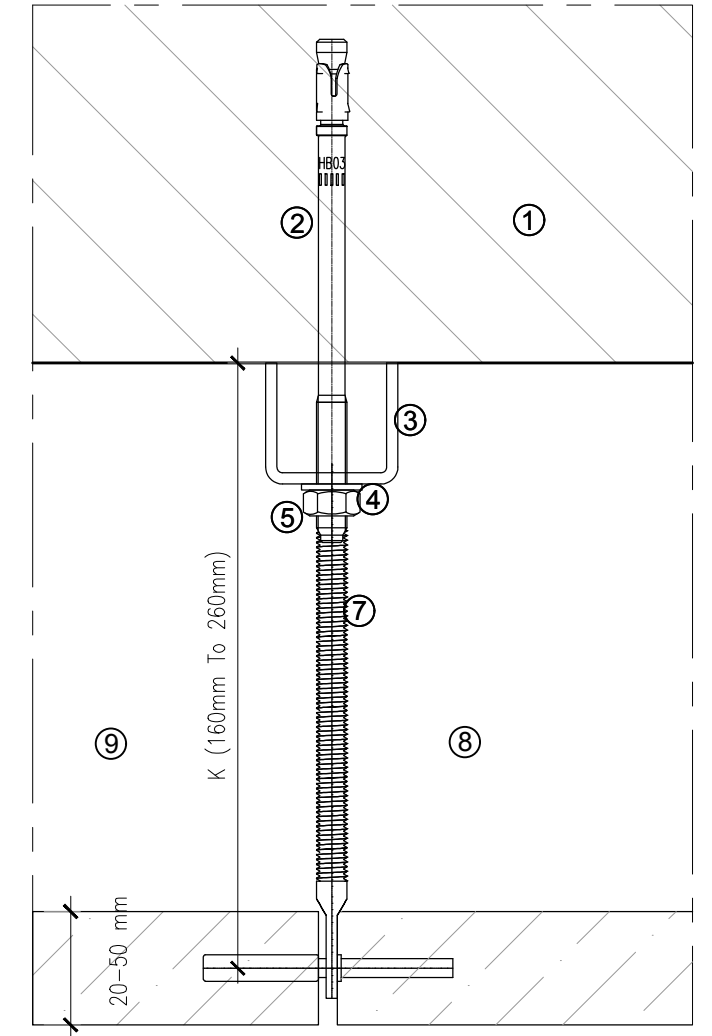
Revision 01 scale As Shown

Page : 1/13

HRS03



Scale 1:2



Scale 1:2

Legend	
1	Substrate
2	Anchor Bolt
3	Anchor Body
4	Round Washer for Through bolt
5	Hex Nut for Through Bolt
6	Hex Nut for Adjustable Arm
7	Adjustable Arm
8	Flanged Pin
9	Plastic Tube
10	Cavity
11	Stone Cladding Panel

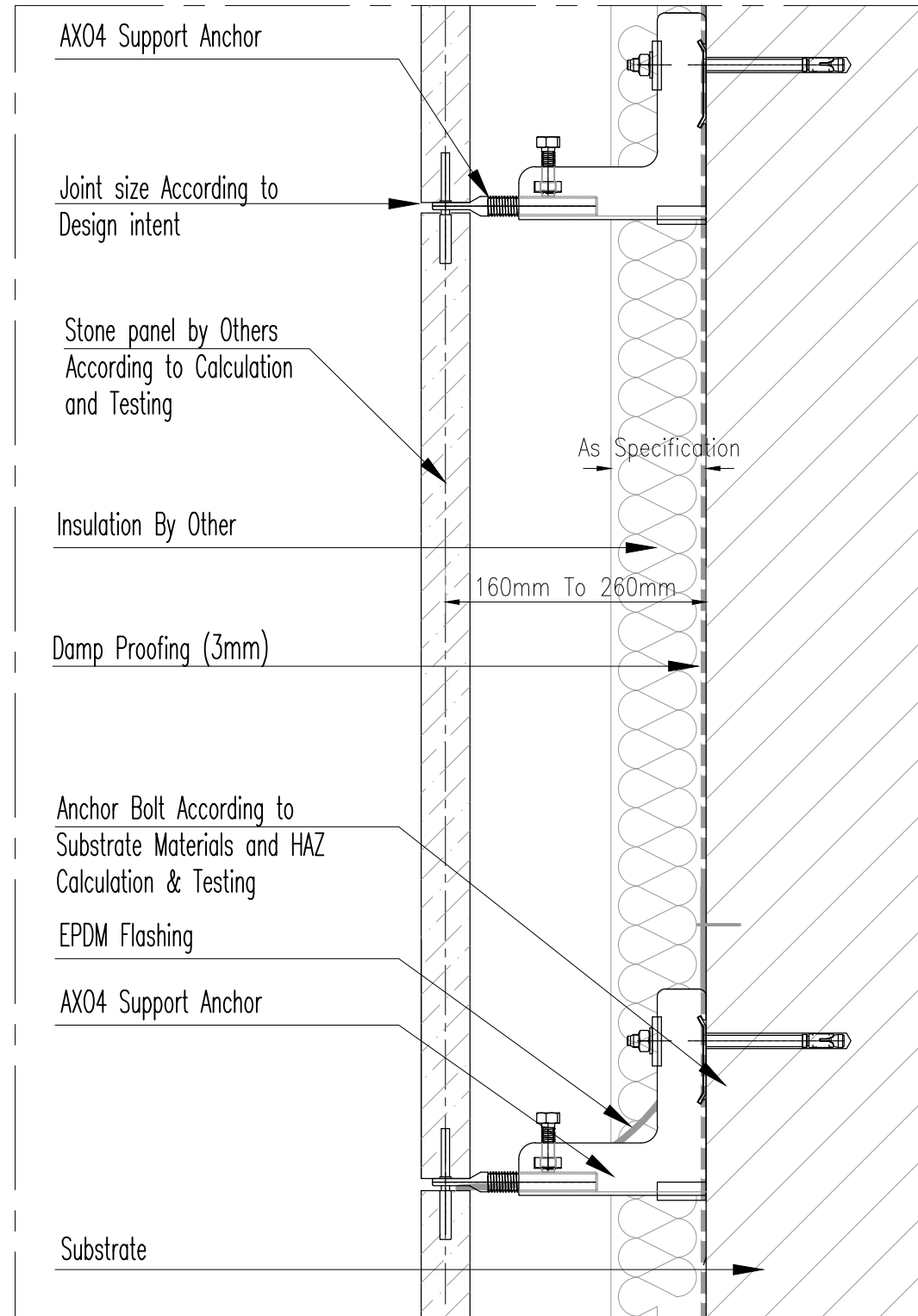
Product Code	Projection K(mm)	Wind Load Fv(kN)	Body size (mm)	Adjustable arm (mm)	Bolt size (Metric)
HRS03-60	60	1000	F25	M8X50	M8X80
HRS03-80	80		F25	M8X70	
HRS03-100	100		F32	M8X80	
HRS03-120	120		F32	M8X100	
HRS03-140	140		F32	M8X120	
HRS03-160	160		F32	M8X140	
HRS03-180	180		F40	M8X150	
HRS03-200	200		F40	M8X170	
HRS03-220	220		F40	M8X190	
HRS03-240	240		F50	M8X200	
HRS03-260	260		F50	M8X220	



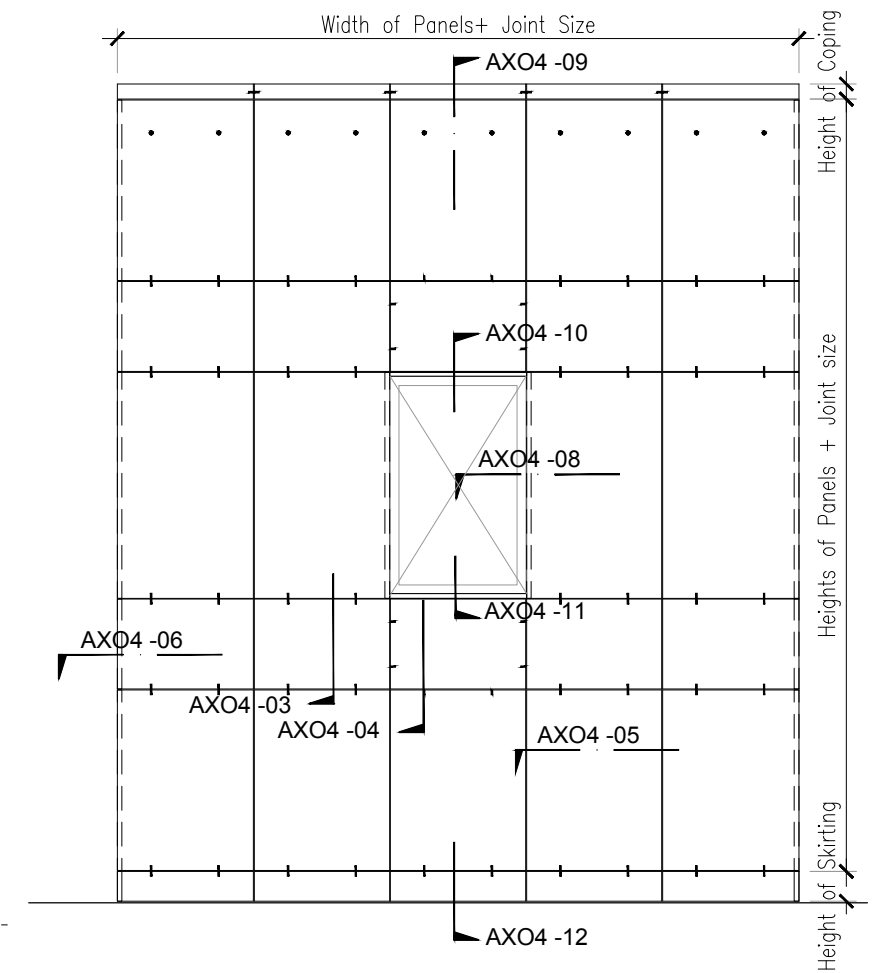
HAZ METAL Sanayi ve Ticaret A.S
 PO Box 241 31200 Iskenderun / Turkey
 Tel: +90 326 6262050 Faks: 6262045
 info@hazmetal.com / www.hazmetal.com.

Title :		Natural Stone Facade - Built-up Cavity Wall - System HRS03 Specification			
Drawing No.	HAZCD-HRS03-ST-02				
Series	Concept Drawings - Natural Stone Fixing System - HRS03 Restraint Anchor				
Revision	01	scale	As Shown		Page : 2/13

AXO4



Vertical section Scale 1:4



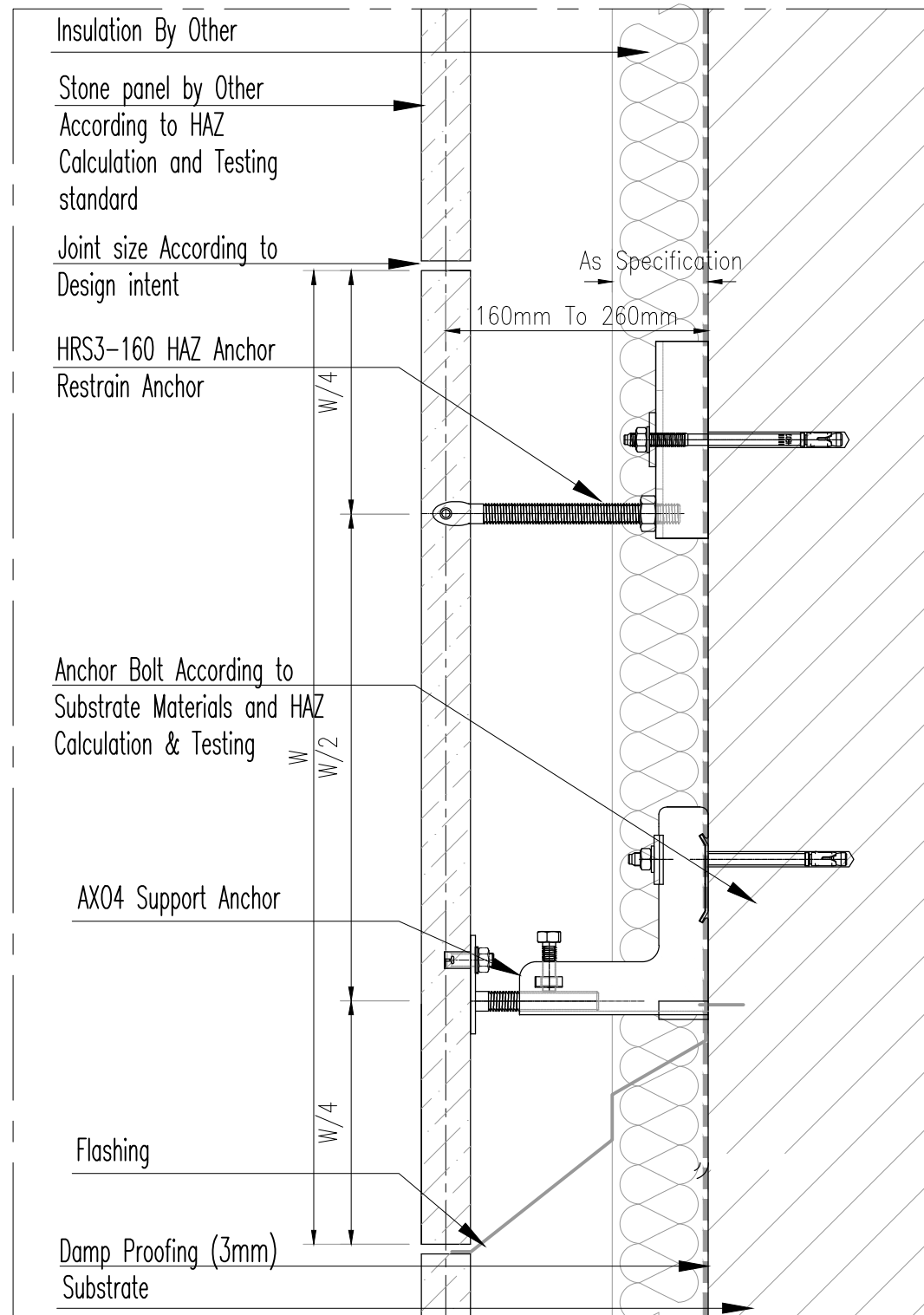
Elevation Scale 1:50



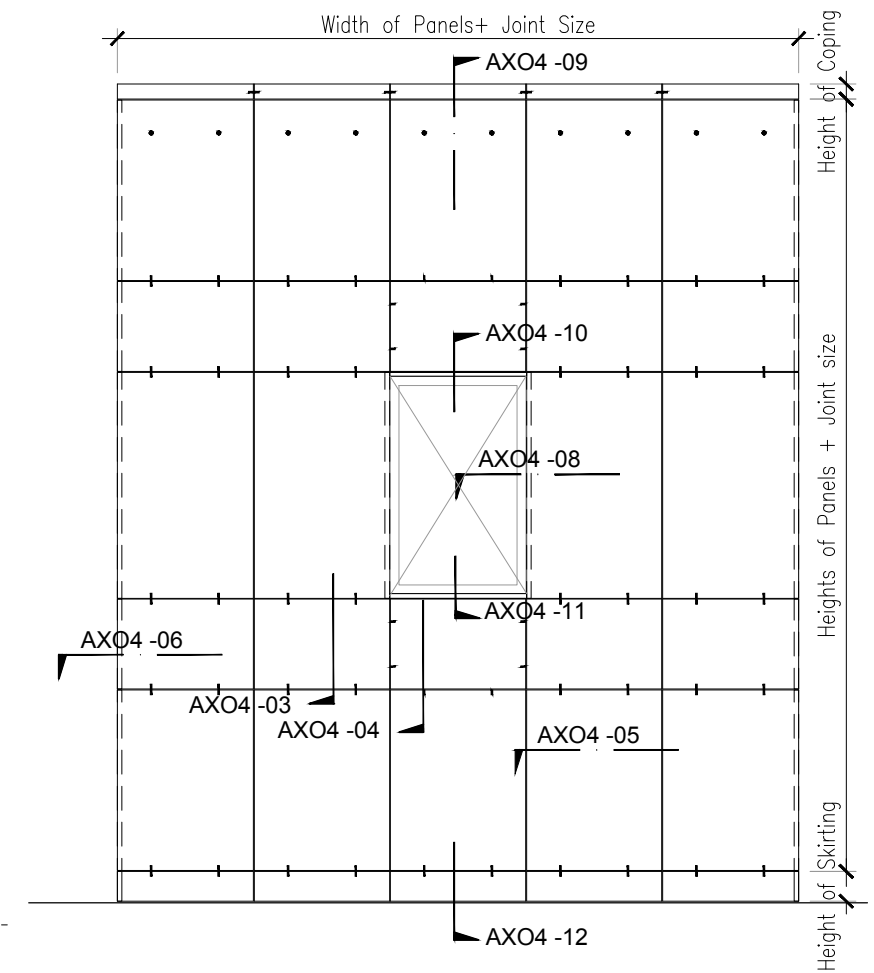
HAZ METAL Sanayi ve Ticaret A.S
 PO Box 241 31200 Iskenderun / Turkey
 Tel: +90 326 6262050 Faks: 6262045
 info@hazmetal.com / www.hazmetal.com.

Title :		Horizontal Joint Installation - Typical Stone Claddings / Rain Screen - Vertical Section		
Drawing No.	HAZCD-AXO4 - ST-03			
Series	Concept Drawings - Natural Stone Fixing System - AXO4 Support Anchors			
Revision	01	scale	As Shown	Page : 3/13

AXO4



Vertical section Scale 1:4



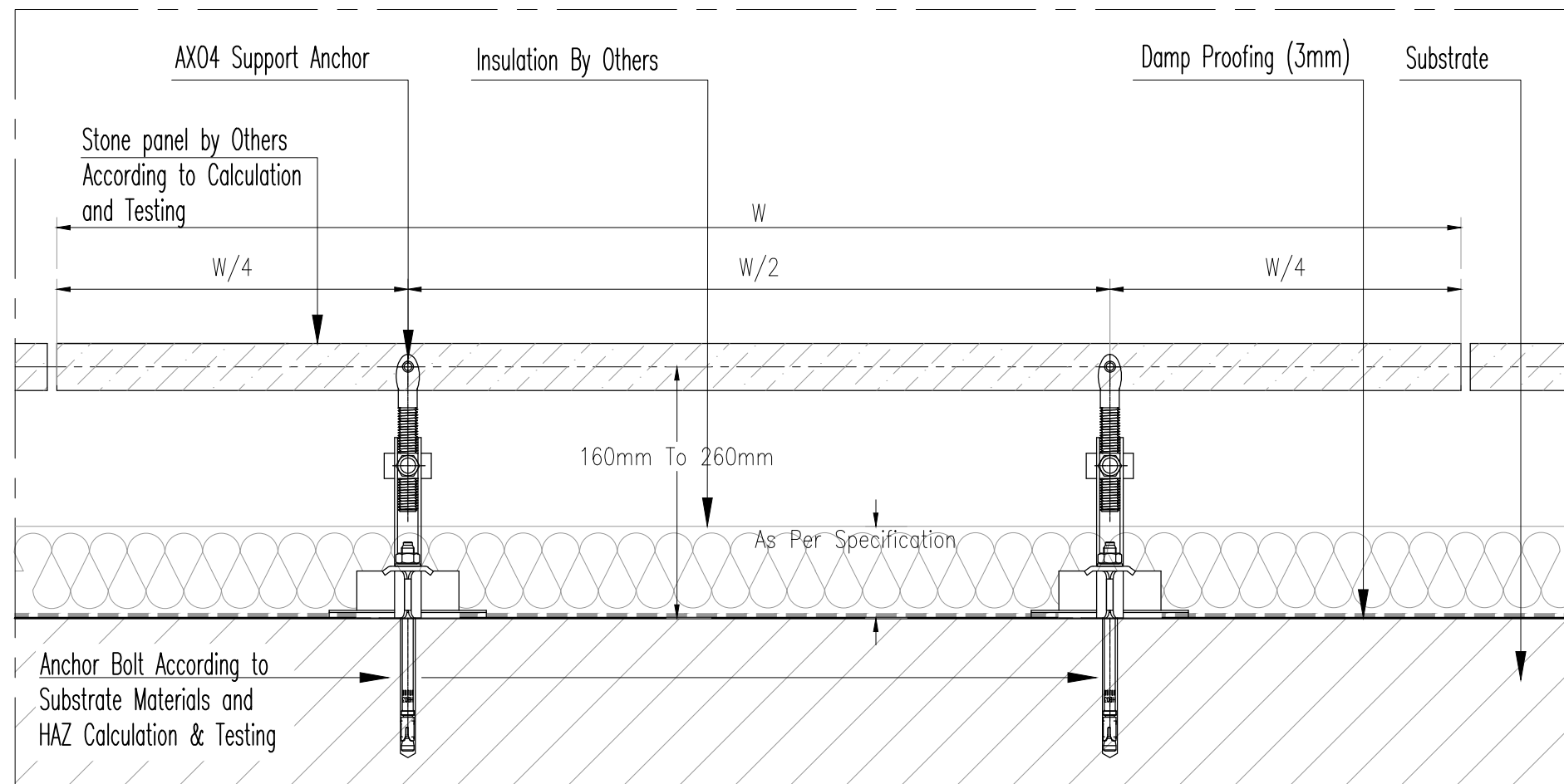
Elevation Scale 1:50



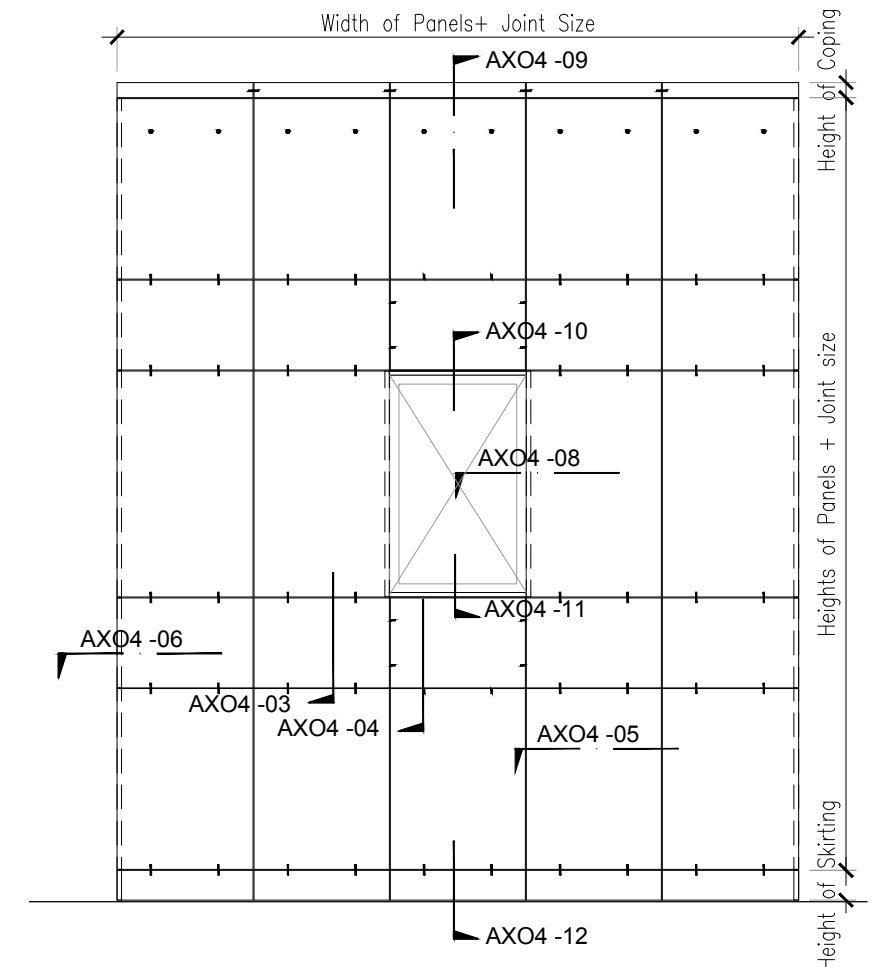
HAZ METAL Sanayi ve Ticaret A.S
 PO Box 241 31200 Iskenderun / Turkey
 Tel: +90 326 6262050 Faks: 6262045
 info@hazmetal.com / www.hazmetal.com.

Title :		Vertical Joint Installation - Typical Stone Claddings / Rain Screen - Vertical Section		
Drawing No.	HAZCD-AXO4 - ST-04			
Series	Concept Drawings - Natural Stone Fixing System - AXO4 Support Anchors			
Revision	01	scale	As Shown	Page : 4/13

AXO4



Horizontal section Scale 1:4



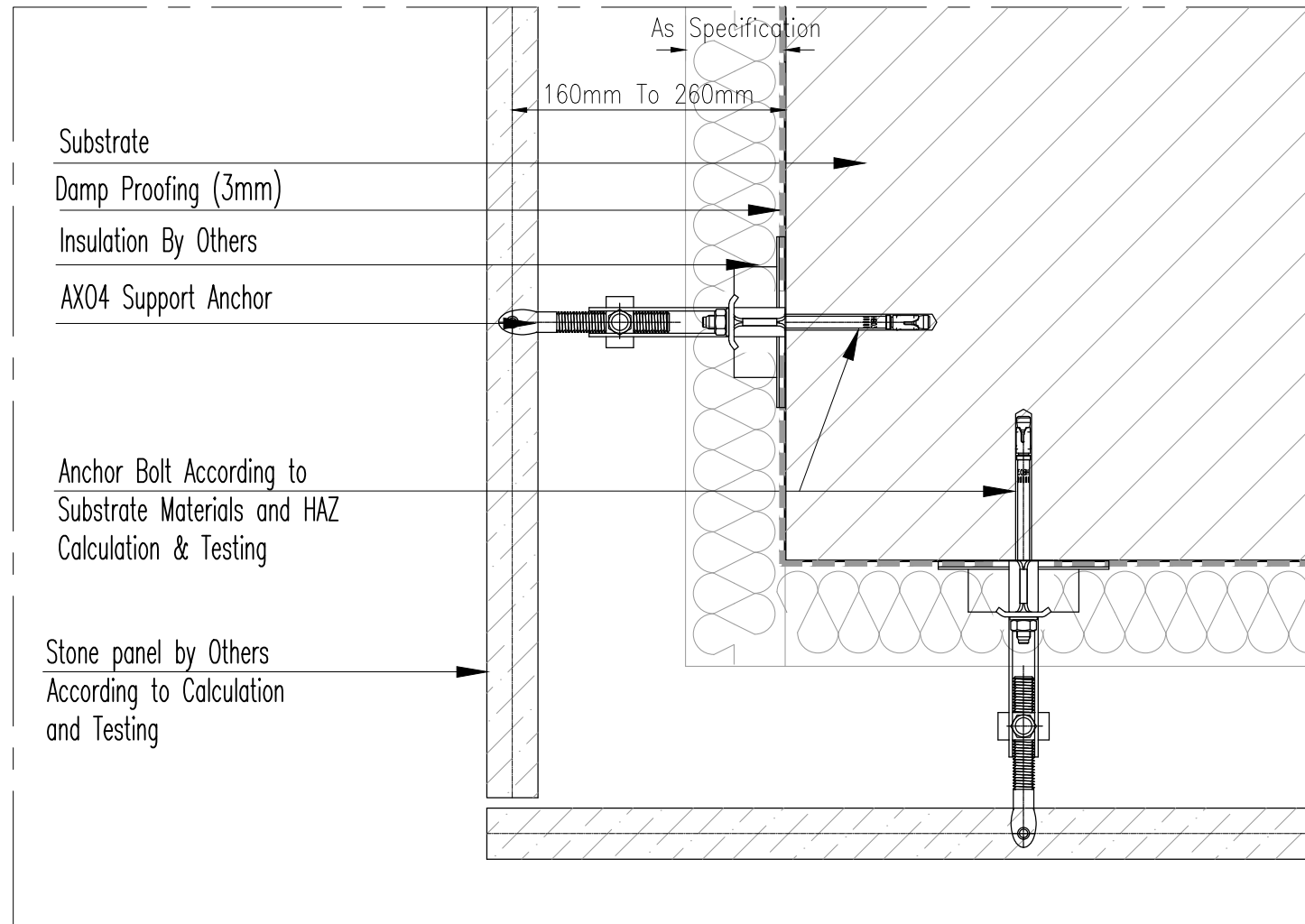
Elevation Scale 1:50



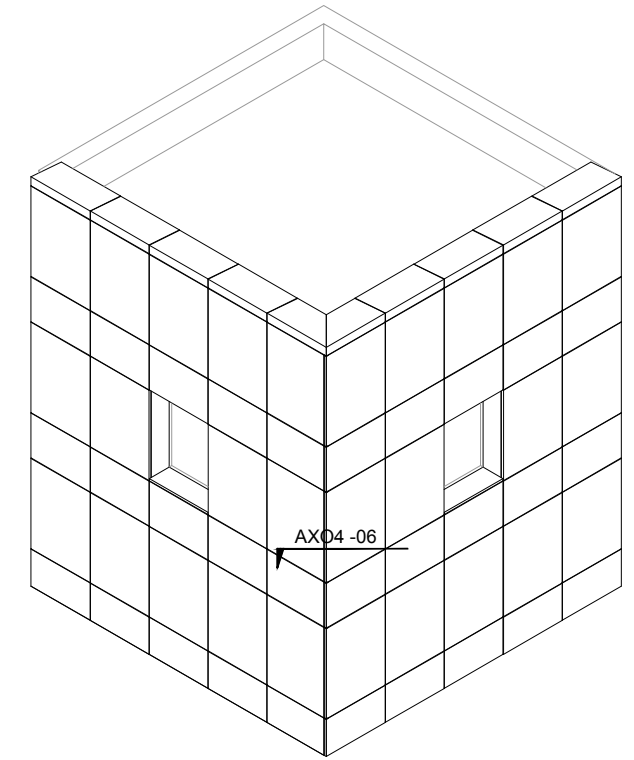
HAZ METAL Sanayi ve Ticaret A.S
 PO Box 241 31200 Iskenderun / Turkey
 Tel: +90 326 6262050 Faks: 6262045
 info@hazmetal.com / www.hazmetal.com.

Title :		Horizontal Joint Installation - Typical Stone Claddings / Rain Screen - Horizontal Section		
Drawing No.	HAZCD-AXO4 - ST-05			
Series	Concept Drawings - Natural Stone Fixing System - AXO4 Support Anchors			
Revision	01	scale	As Shown	Page : 5/13

AXO4



Horizontal section Scale 1:4



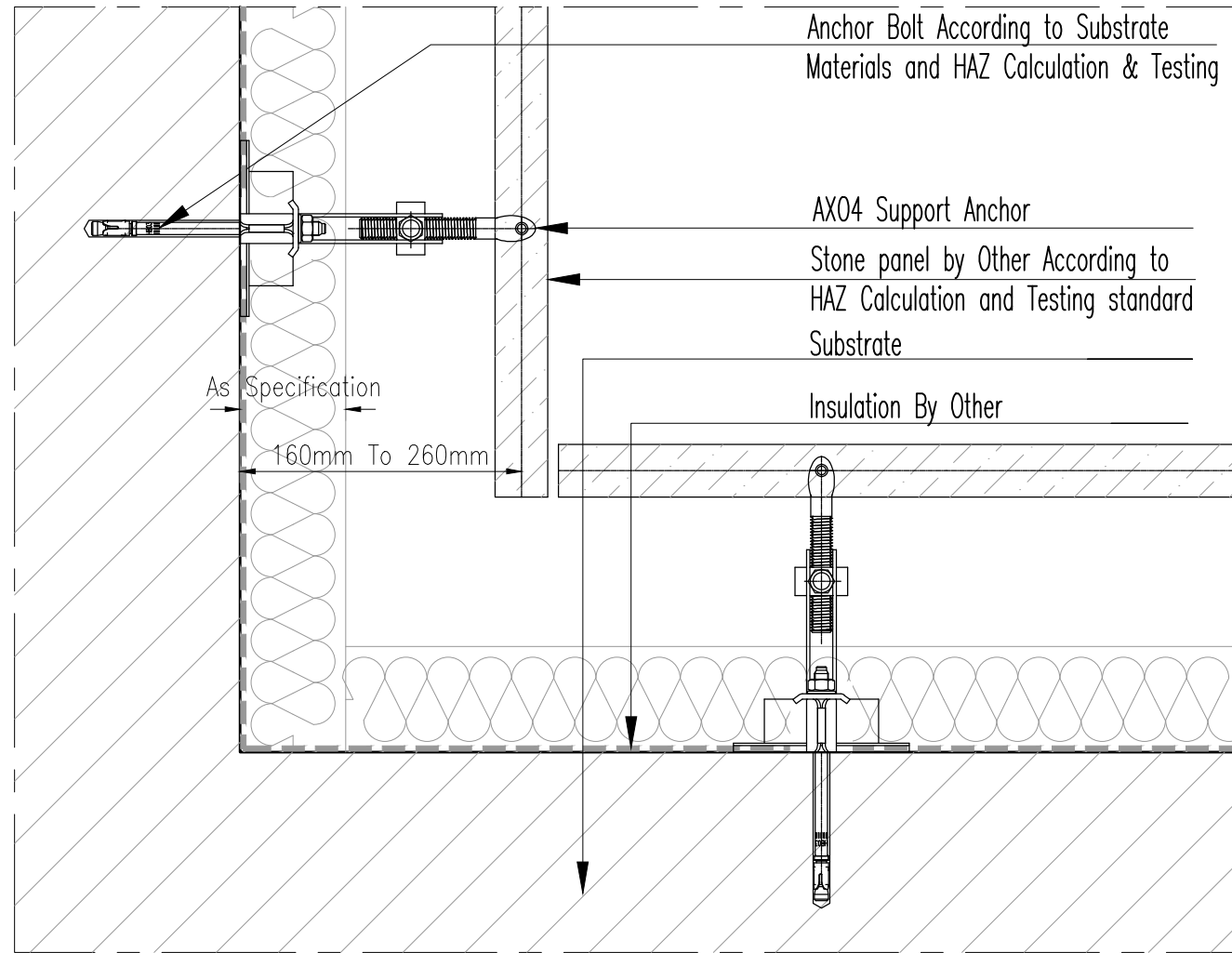
Isometric Scale 1:100



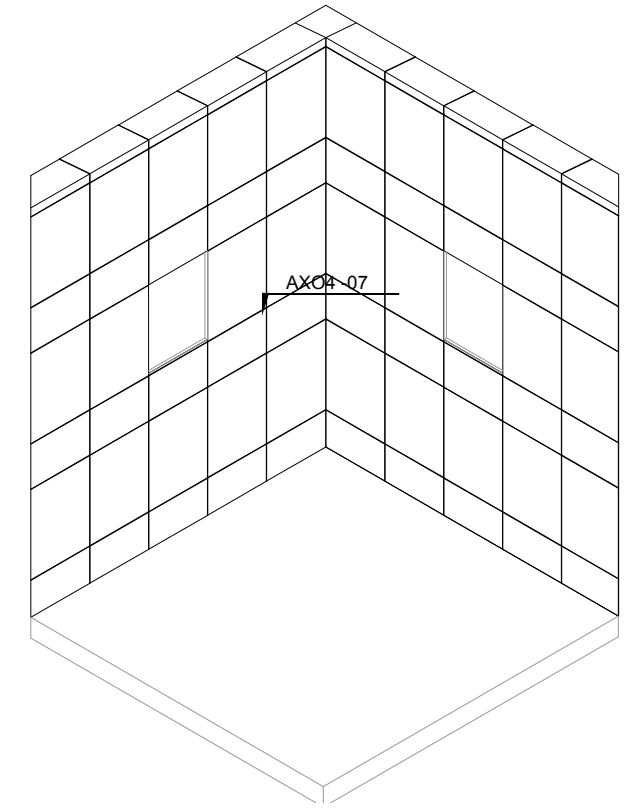
HAZ METAL Sanayi ve Ticaret A.S
 PO Box 241 31200 Iskenderun / Turkey
 Tel: +90 326 6262050 Faks: 6262045
 info@hazmetal.com / www.hazmetal.com.

Title :		Horizontal Joint Installation - External Corner Stone Cladding - Horizontal Section		
Drawing No.	HAZCD-AXO4 - ST-06			
Series	Concept Drawings - Natural Stone Fixing System - AXO4 Support Anchors			
Revision	01	scale	As Shown	Page : 6/13

AXO4



Horizontal section Scale 1:4



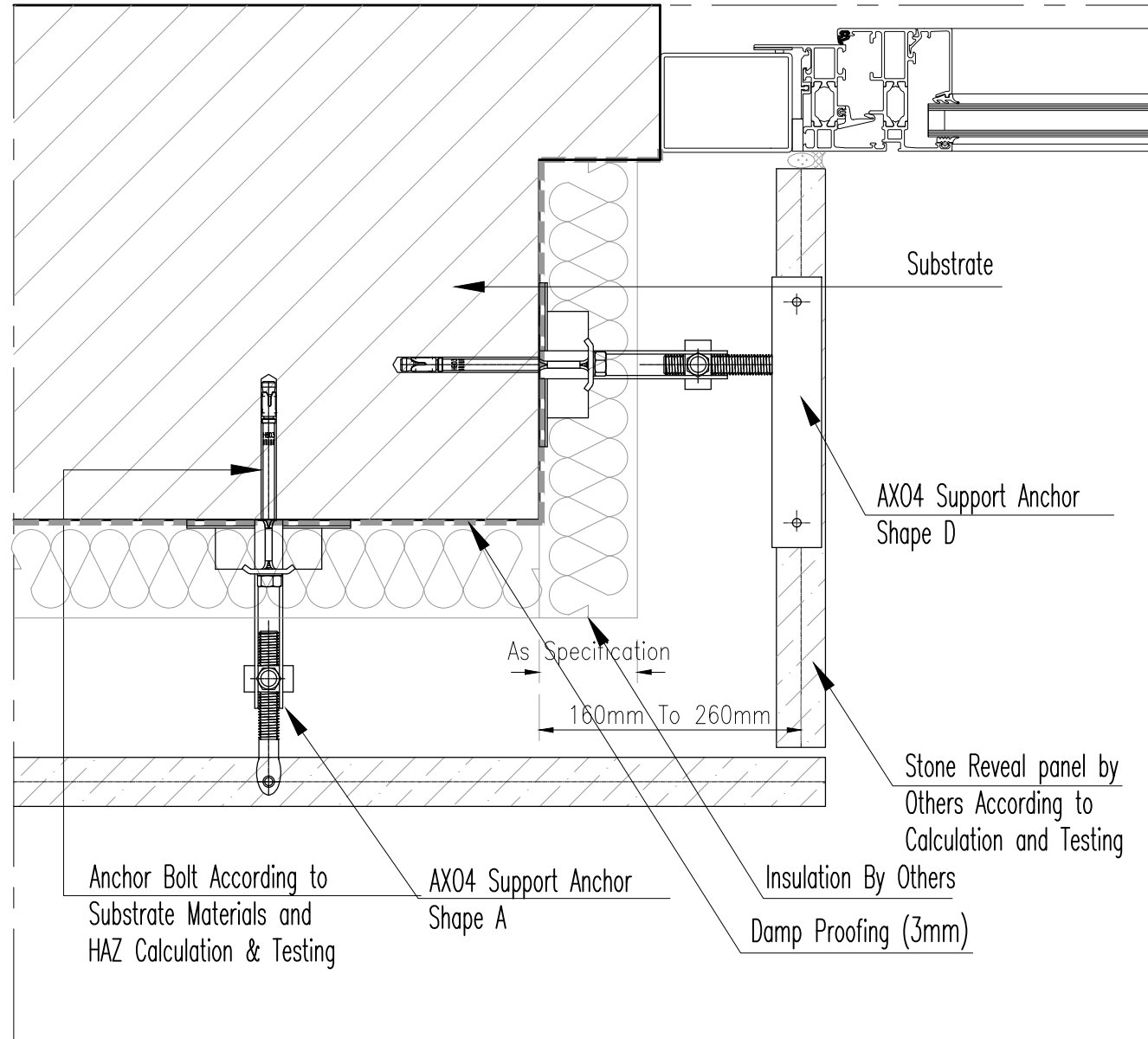
Isometric Scale 1:100



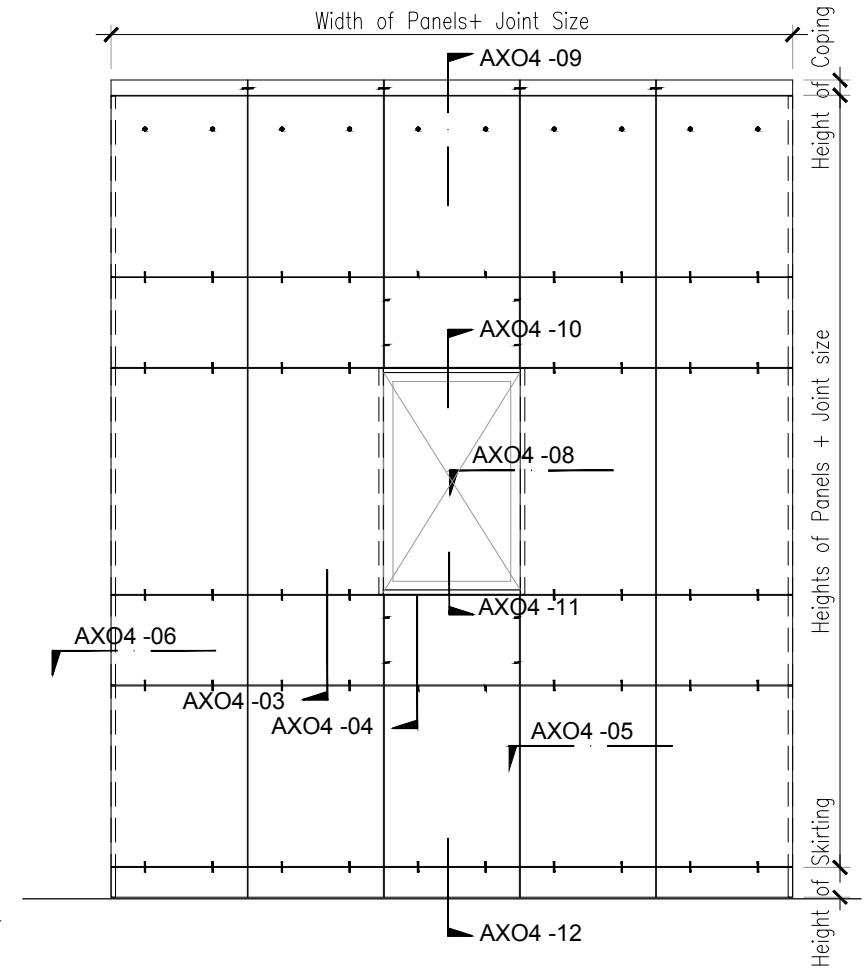
HAZ METAL Sanayi ve Ticaret A.S
 PO Box 241 31200 Iskenderun / Turkey
 Tel: +90 326 6262050 Faks: 6262045
 info@hazmetal.com / www.hazmetal.com.

Title :		Horizontal Joint Installation - Internal Corner Stone Cladding - Horizontal Section		
Drawing No.	HAZCD-AXO4 - ST-07			
Series	Concept Drawings - Natural Stone Fixing System - AXO4 Support Anchors			
Revision	01	scale	As Shown	Page : 7/13

AXO4



Horizontal section Scale 1:4



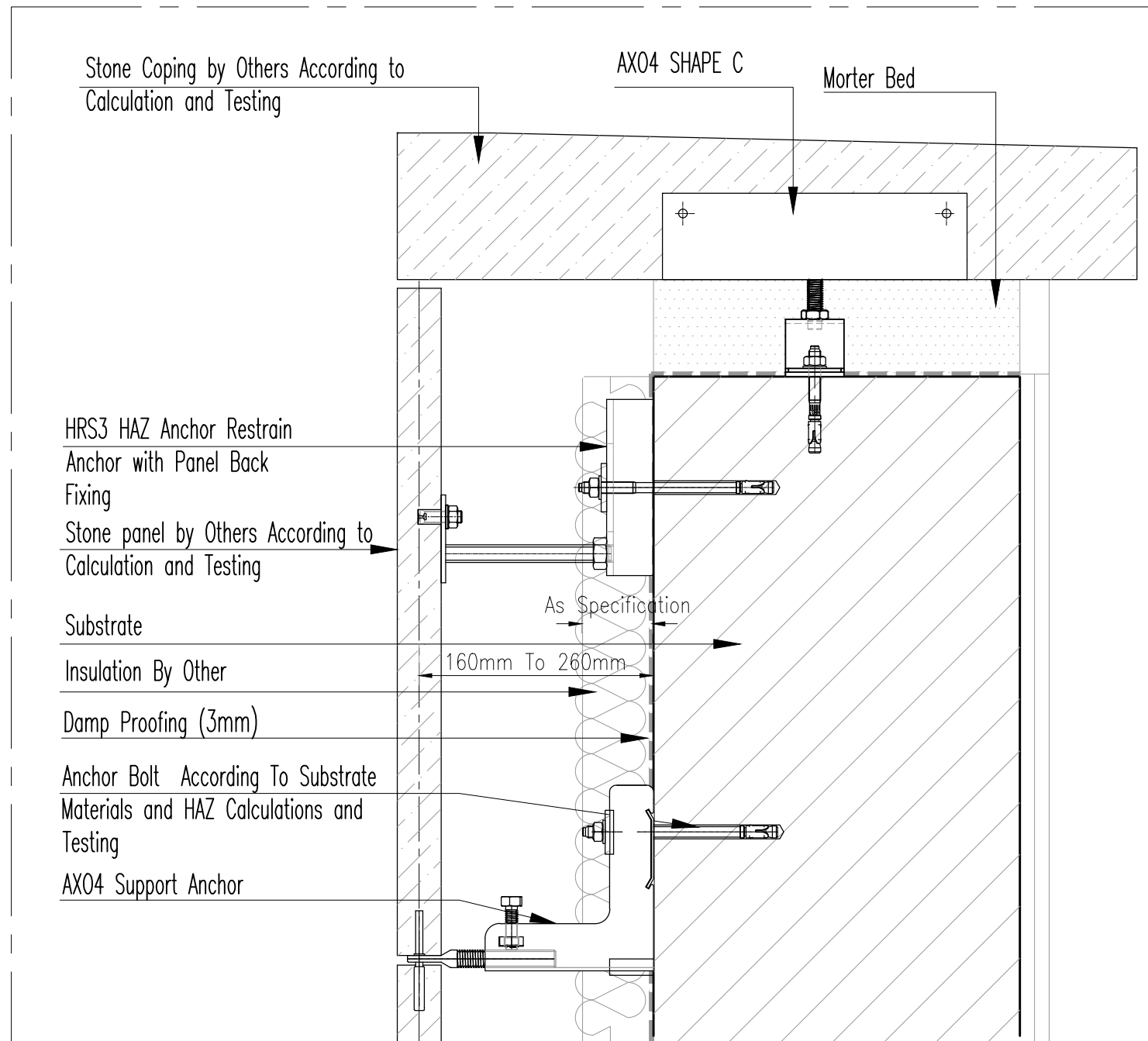
Elevation Scale 1:50



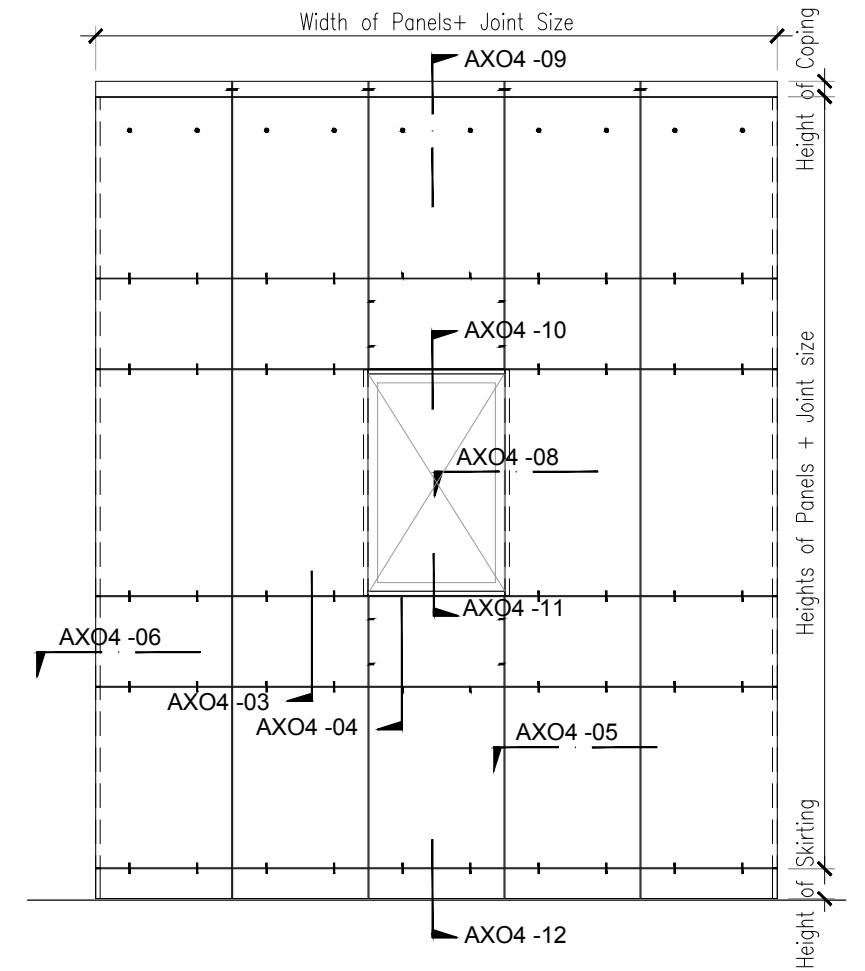
HAZ METAL Sanayi ve Ticaret A.S
 PO Box 241 31200 Iskenderun / Turkey
 Tel: +90 326 6262050 Faks: 6262045
 info@hazmetal.com / www.hazmetal.com.

Title :		Horizontal Joint Installation - Stone Reveal - Horizontal Section		
Drawing No.	HAZCD-AXO4-ST-08			
Series	Concept Drawings - Natural Stone Fixing System - AXO4 Support Anchors			
Revision	01	scale	As Shown	Page : 8/13

AXO4



Vertical section Scale 1:4



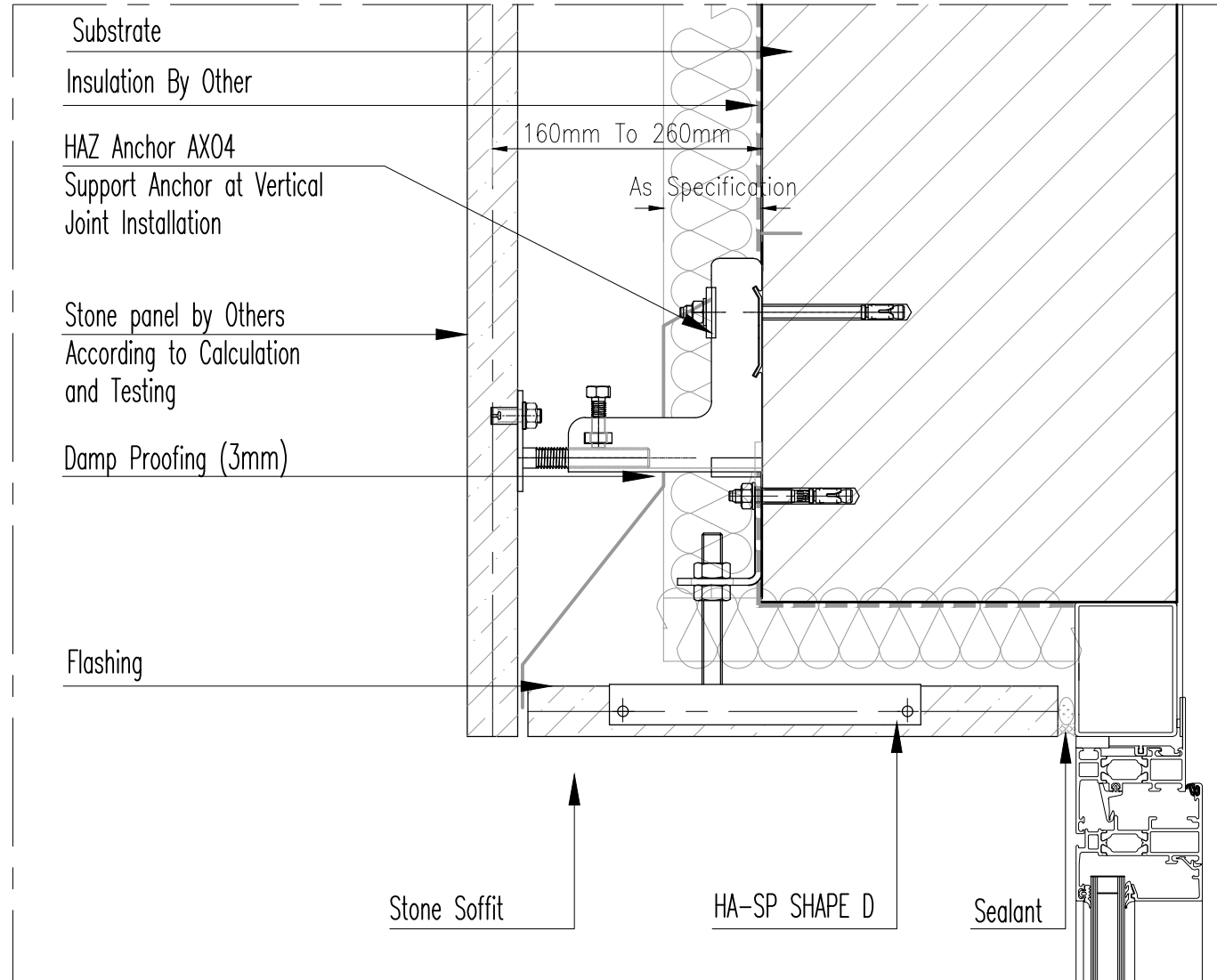
Elevation Scale 1:50



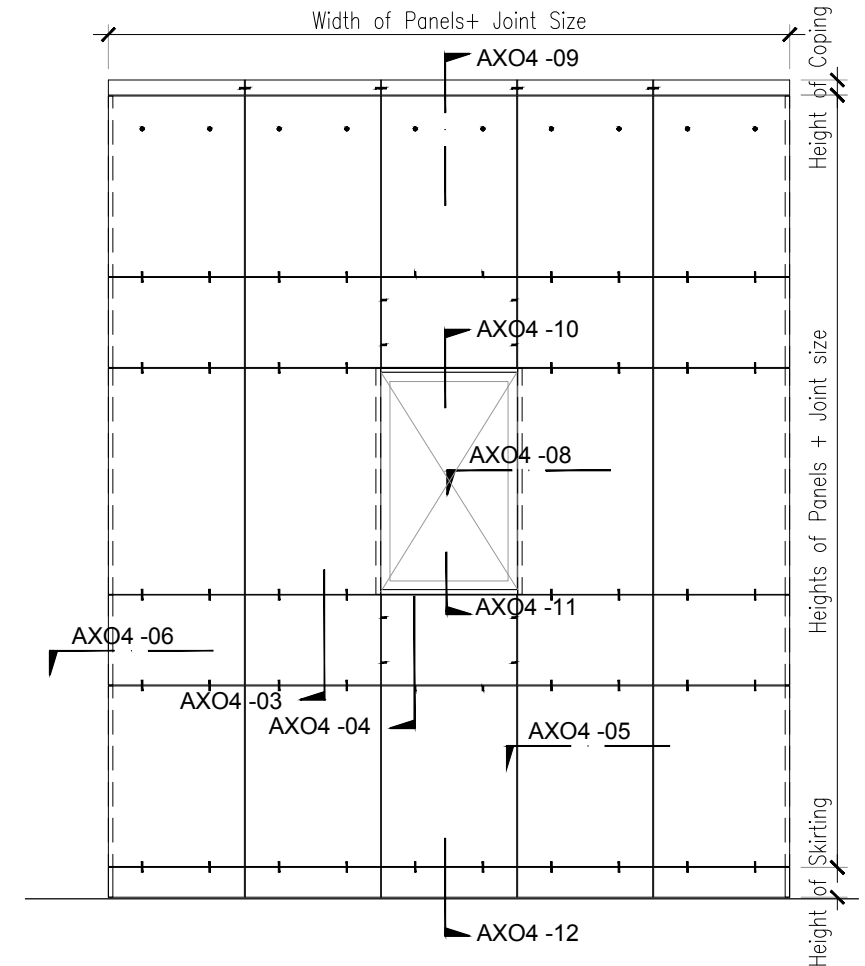
HAZ METAL Sanayi ve Ticaret A.S
 PO Box 241 31200 Iskenderun / Turkey
 Tel: +90 326 6262050 Faks: 6262045
 info@hazmetal.com / www.hazmetal.com.

Title :		Horizontal Joint Installation - Stone Coping - Vertical Section		
Drawing No.	HAZCD-AXO4-ST-09			
Series	Concept Drawings - Natural Stone Fixing System - AXO4 Support Anchors			
Revision	01	scale	As Shown	Page : 9/13

AXO4



Vertical section Scale 1:4



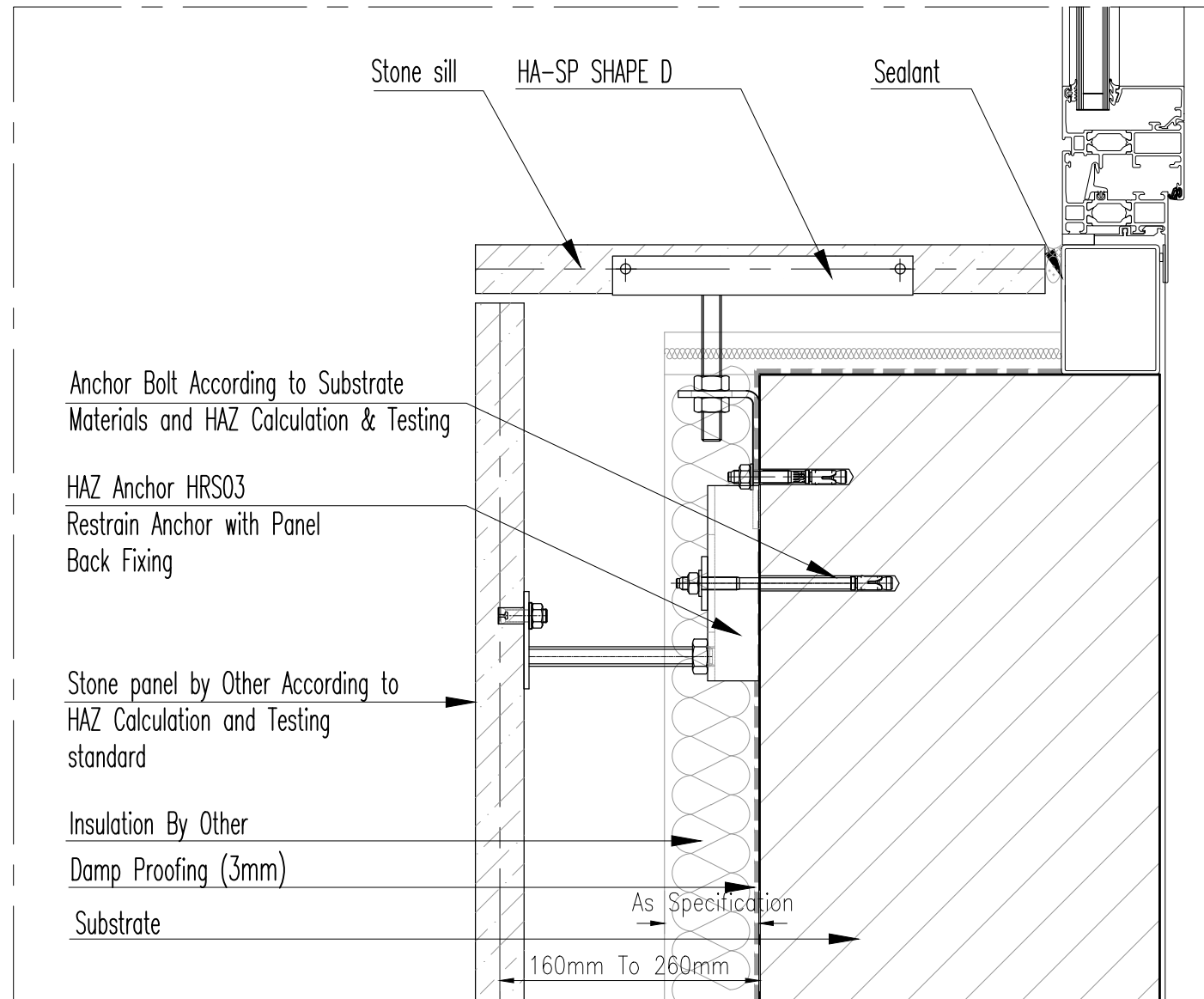
Elevation Scale 1:50



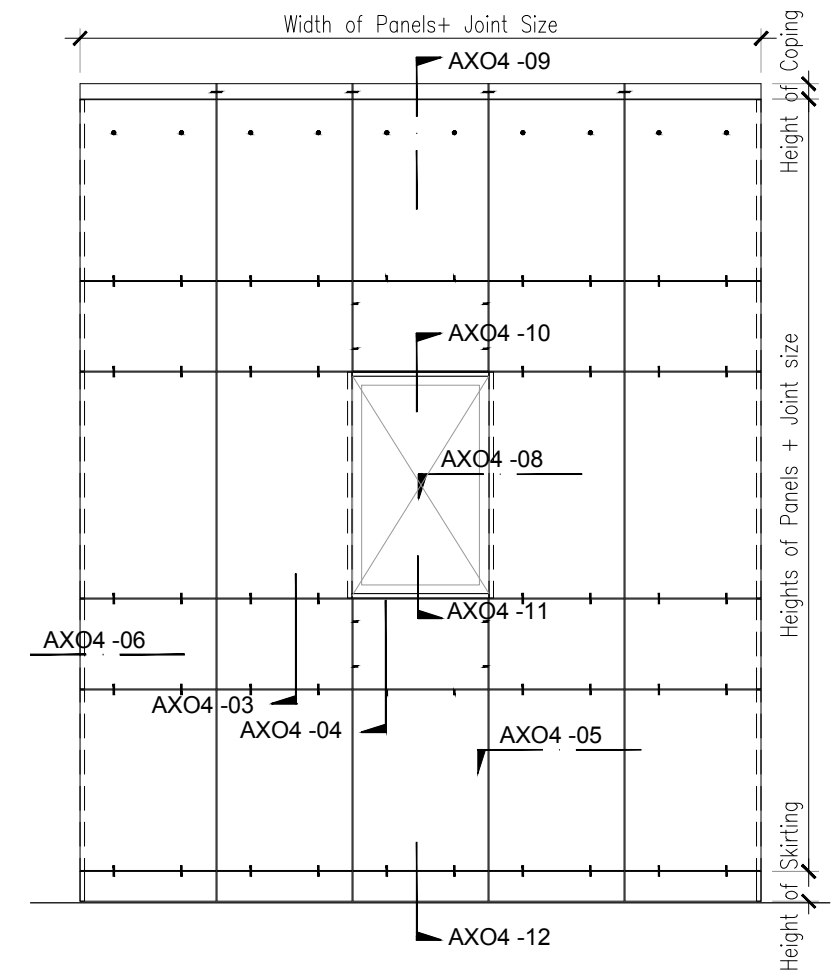
HAZ METAL Sanayi ve Ticaret A.S
 PO Box 241 31200 Iskenderun / Turkey
 Tel: +90 326 6262050 Faks: 6262045
 info@hazmetal.com / www.hazmetal.com.

Title :		Horizontal Joint Installation - Stone Soffit - Vertical Section		
Drawing No.	HAZCD-AXO4 - ST-10			
Series	Concept Drawings - Natural Stone Fixing System - AXO4 Support Anchors			
Revision	01	scale	As Shown	Page : 10/13

AXO4



Vertical section Scale 1:4



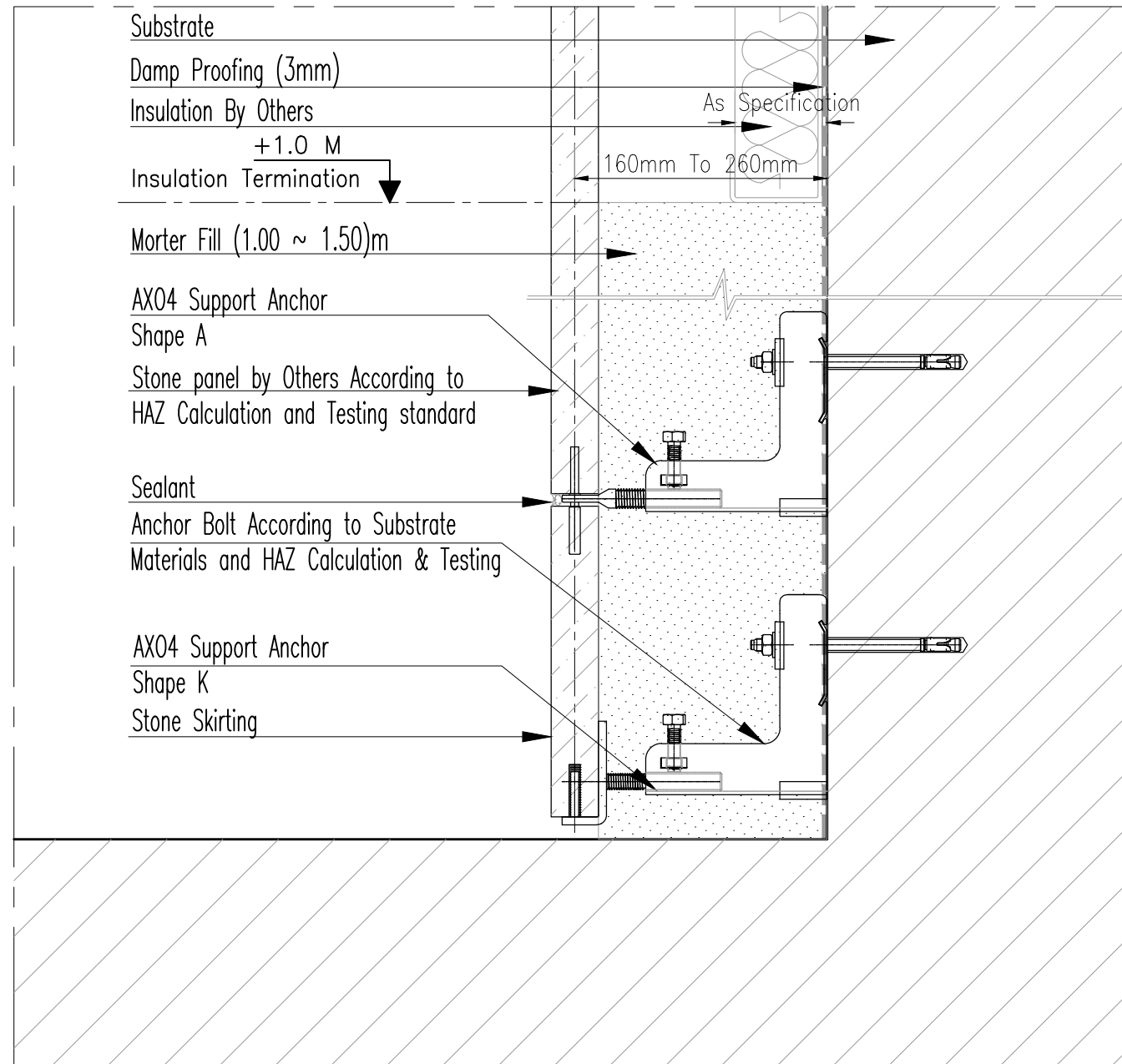
Elevation Scale 1:50



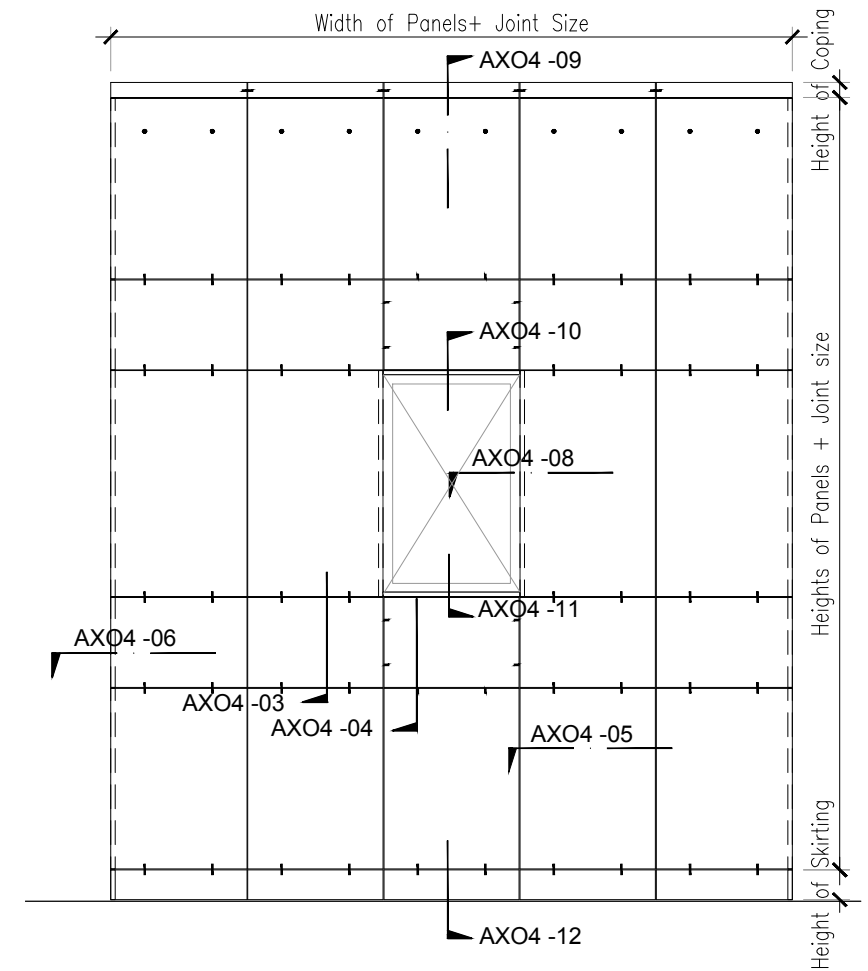
HAZ METAL Sanayi ve Ticaret A.S
 PO Box 241 31200 Iskenderun / Turkey
 Tel: +90 326 6262050 Faks: 6262045
 info@hazmetal.com / www.hazmetal.com.

Title :		Horizontal Joint Installation - Stone Sill - Vertical Section		
Drawing No.		HAZCD-AXO4 - ST-11		
Series		Concept Drawings - Natural Stone Fixing System - AXO4 Support Anchors		
Revision		01	scale	As Shown
Page :				11/13

AXO4



Vertical section Scale 1:4



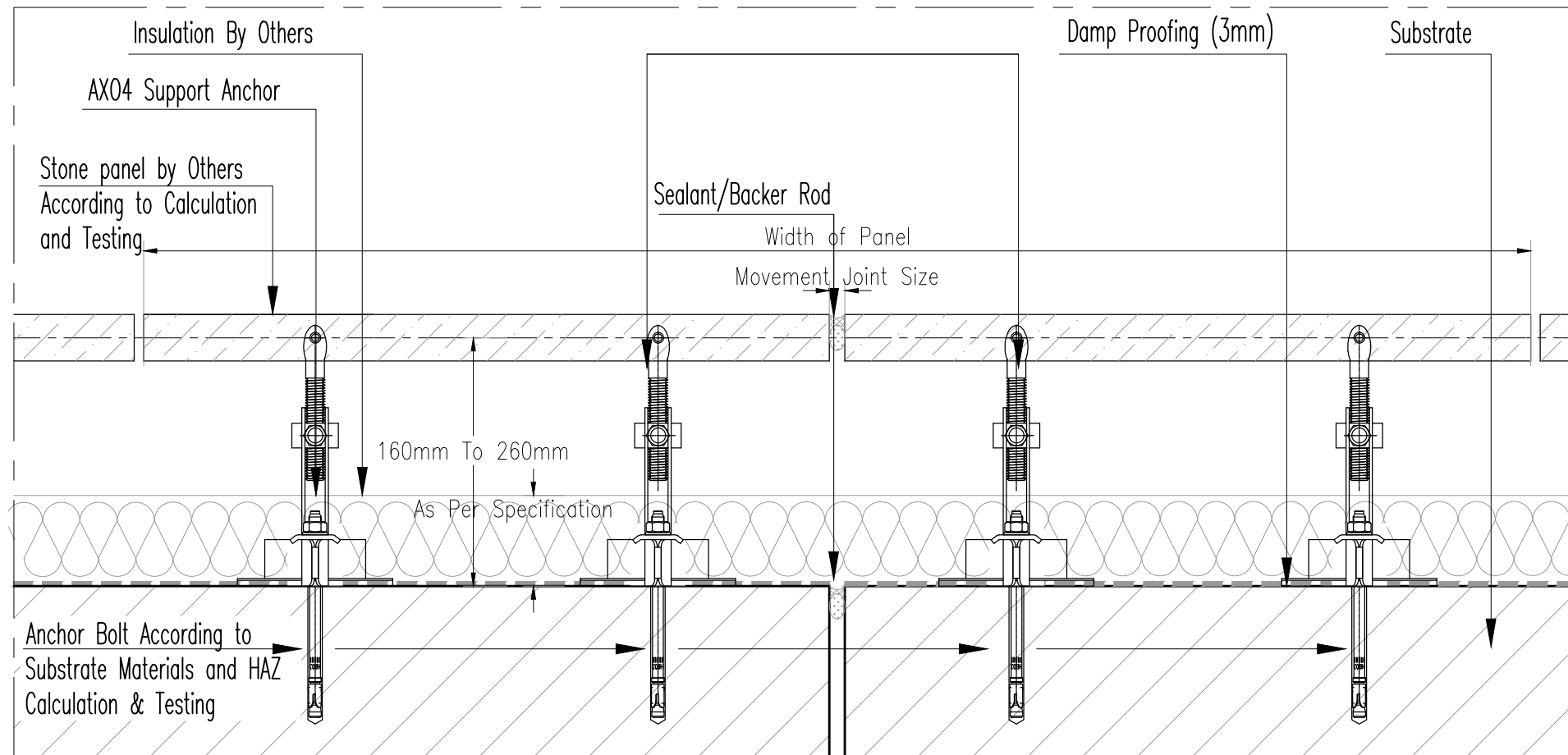
Elevation Scale 1:50



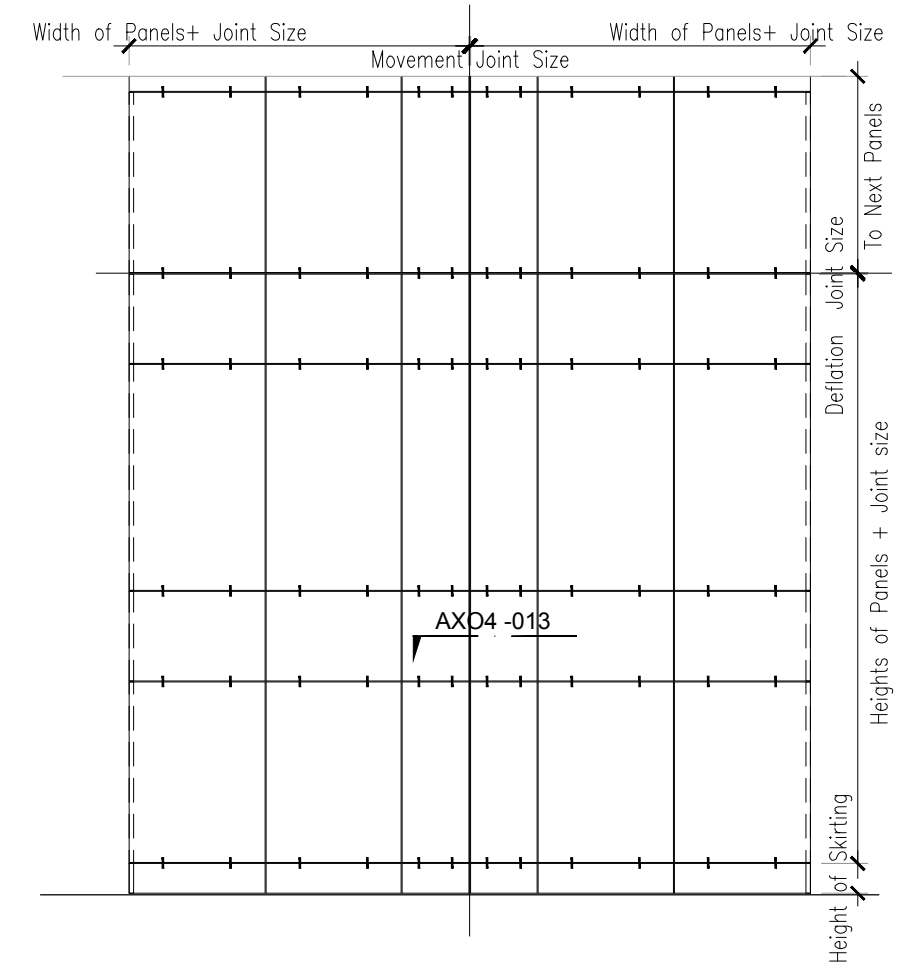
HAZ METAL Sanayi ve Ticaret A.S
 PO Box 241 31200 Iskenderun / Turkey
 Tel: +90 326 6262050 Faks: 6262045
 info@hazmetal.com / www.hazmetal.com.

Title :		Horizontal Joint Installation - Stone Skirting - Vertical Section		
Drawing No.	HAZCD-AXO4 - ST-12			
Series	Concept Drawings - Natural Stone Fixing System - AXO4 Support Anchors			
Revision	01	scale	As Shown	Page : 12/13

AXO4



Horizontal section Scale 1:4



Variation on Typical Elevation Scale 1:50



HAZ METAL Sanayi ve Ticaret A.S
 PO Box 241 31200 Iskenderun / Turkey
 Tel: +90 326 6262050 Faks: 6262045
 info@hazmetal.com / www.hazmetal.com.

Title :		Horizontal Joint Installation - Typical Stone Claddings - Movement Joint - Horizontal Section		
Drawing No.	HAZCD-AXO4 - ST-13			
Series	Concept Drawings - Natural Stone Fixing System - AXO4 Support Anchors			
Revision	01	scale	As Shown	Page : 13/13