

HAZ METAL
FIXING SYSTEMS

HZ07-S

HZ Z ANCHOR FIXING SYSTEM

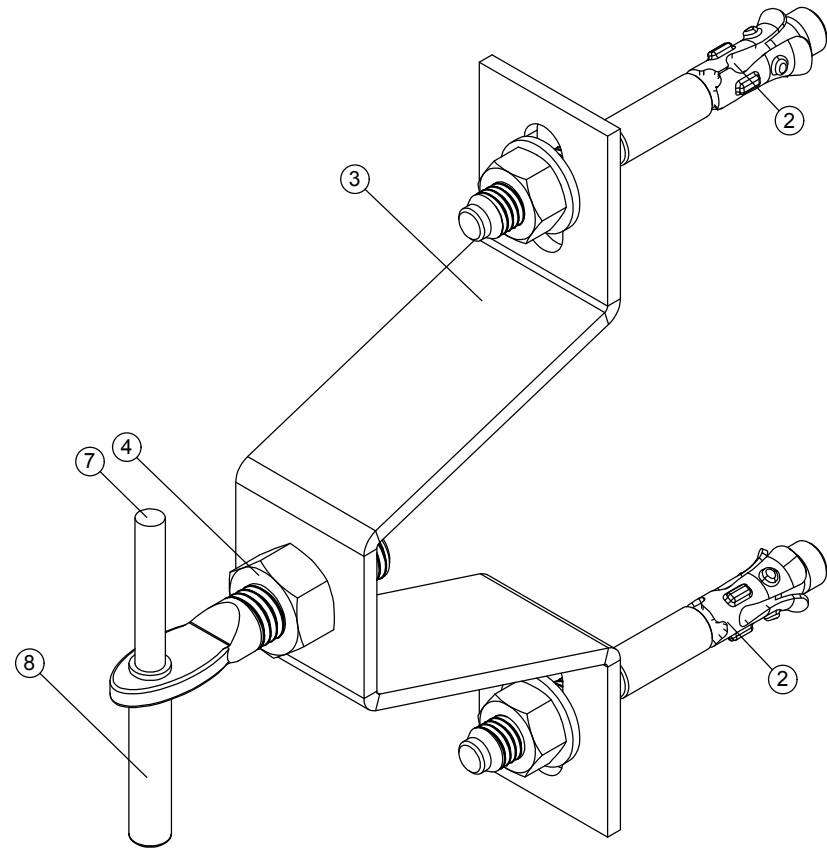
Concept Drawings

Series: HAZCD-HZ07-S-ST

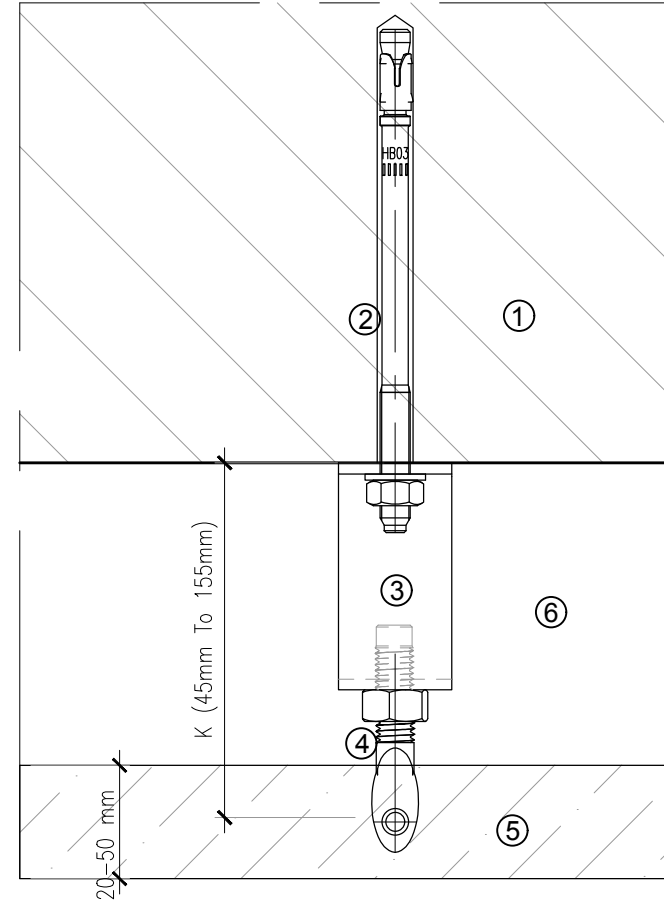
Direct Fixing System For Stone Ceiling
and Soffits



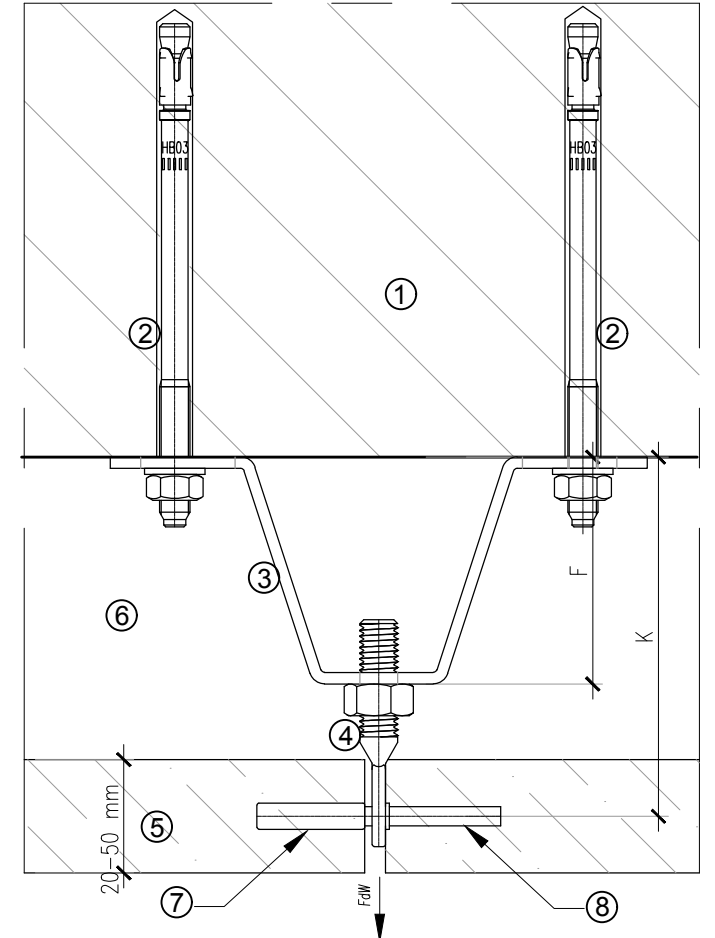
HZ07-S



Legend	
1	Substrate
2	Anchor Bolt
3	HZ07 ANCHOR Body
4	ADJUSTABLE ARM
5	Stone Cladding Panel
6	Cavity
7	FLANGED PIN
8	PLASTIC TUBE



Vertical Section Scale 1:2



Vertical Section Scale 1:2

Product Code	Projection K(mm)	Perm. Load Fv(N)	Wind Load Fv(N)	Body size (mm)	Adjustable arm (mm)	Bolt size (Metric)
HZ07-S-33010/10	45	1200	800	3X30XF10	M10X50	M8
HZ07-S-33020/10	55	1200		3X30XF20	M10X50	M8
HZ07-S-33040/10	75	1000		3X30XF40	M10X60	M8
HZ07-S-33060/10	95	1000		3X30XF60	M10X60	M8
HZ07-S-33080/10	115	900		3X30XF80	M10X70	M8
HZ07-S-330100/10	135	800		3X30XF100	M10X70	M8
HZ07-S-330120/12	155	800		3X30XF120	M10X70	M8



HAZ METAL Sanayi ve Ticaret A.S
 PO Box 241 31200 Iskenderun / Turkey
 Tel: +90 326 6262050 Faks: 6262045
 info@hazmetal.com / www.hazmetal.com.

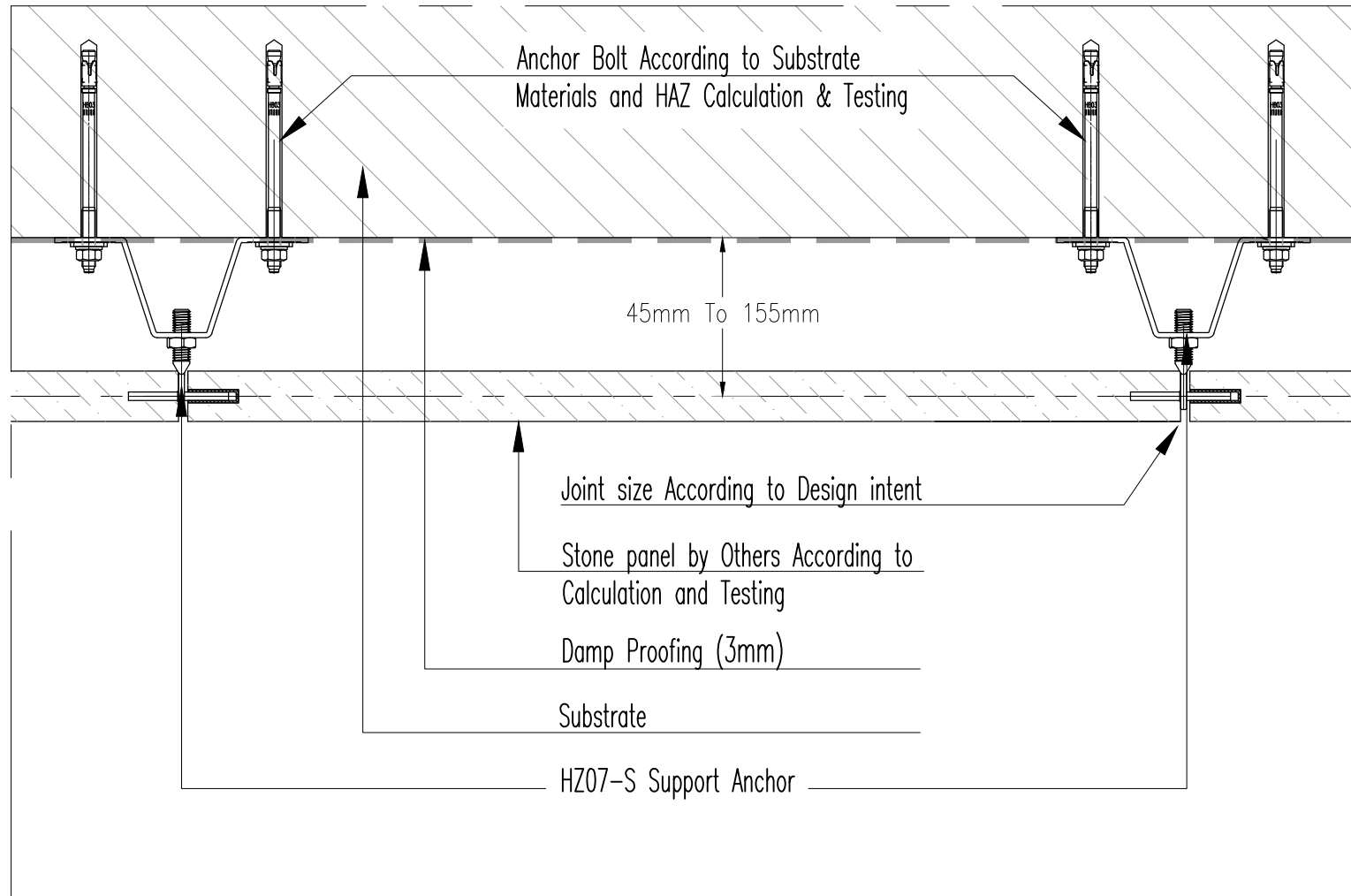
Title : Natural Stone Facade - Built-up Cavity Wall - System HZ07-S Specification

Drawing No. HAZCD-HZ07-S - ST-01

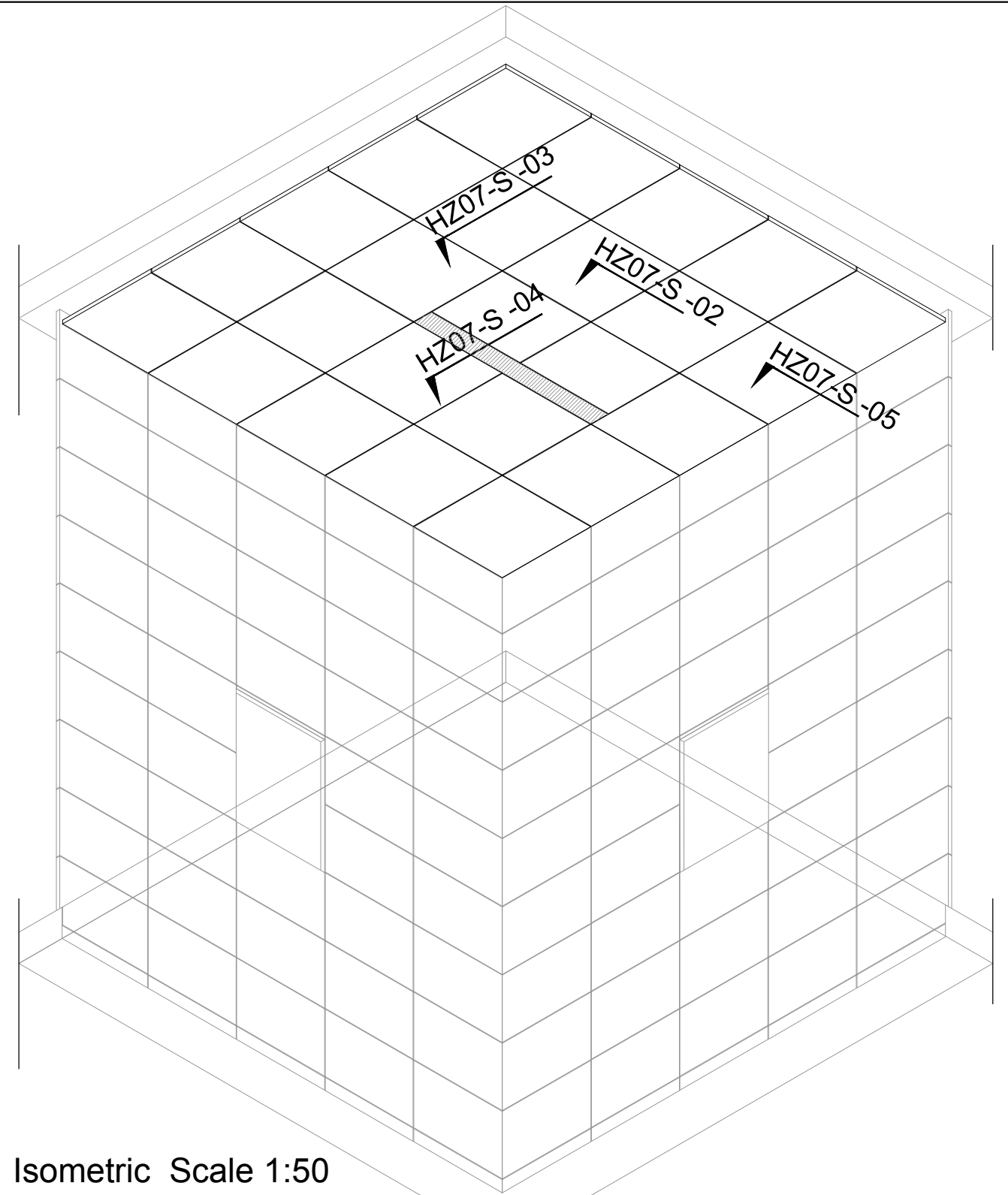
Series Concept Drawings - Natural Stone Fixing System - HZ07-S Support Anchors

Revision	01	scale	As Shown	Paper Size:	A3	Page :	1/5
----------	----	-------	----------	-------------	----	--------	-----

HZ07-S



Vertical section Scale 1:4



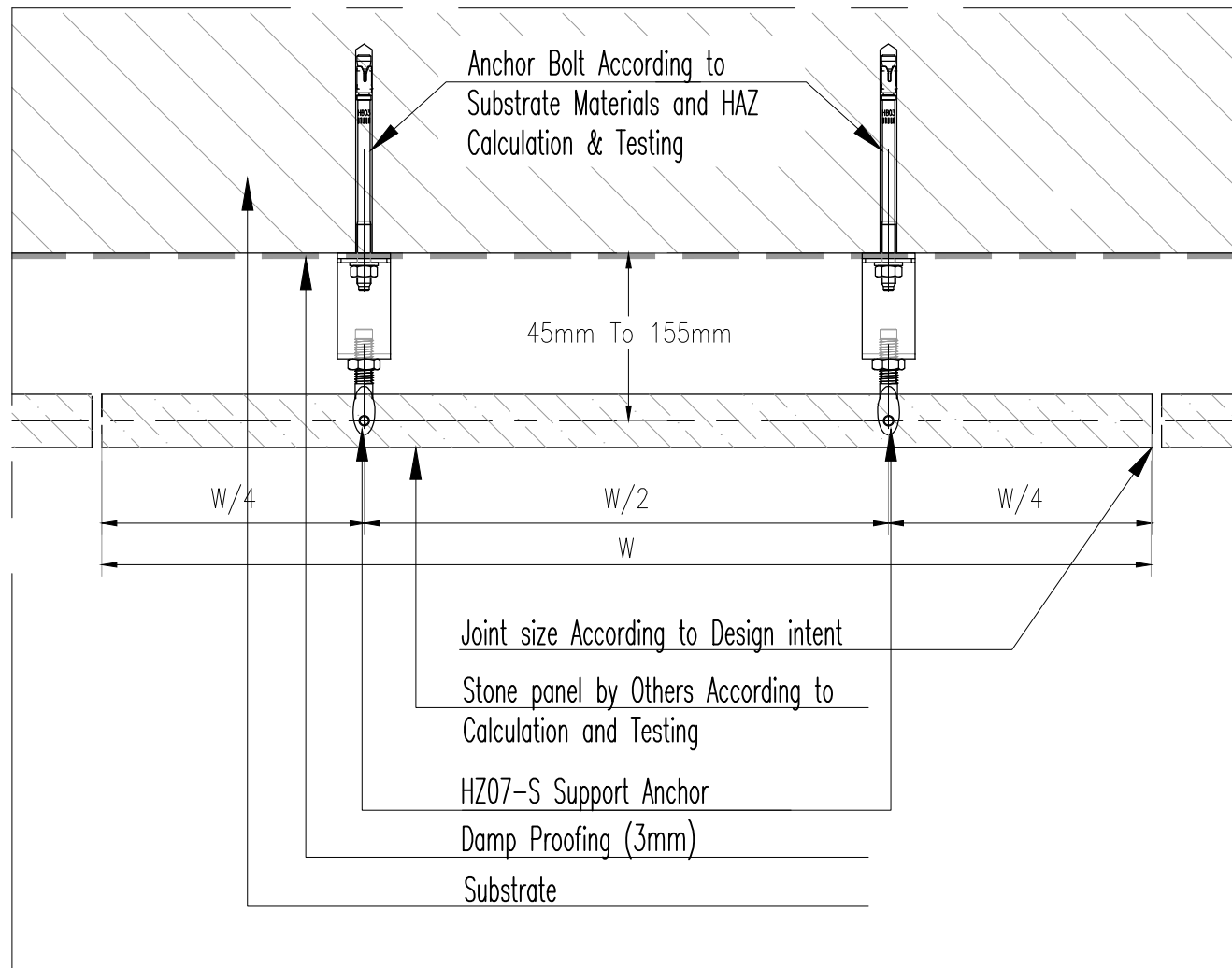
Isometric Scale 1:50



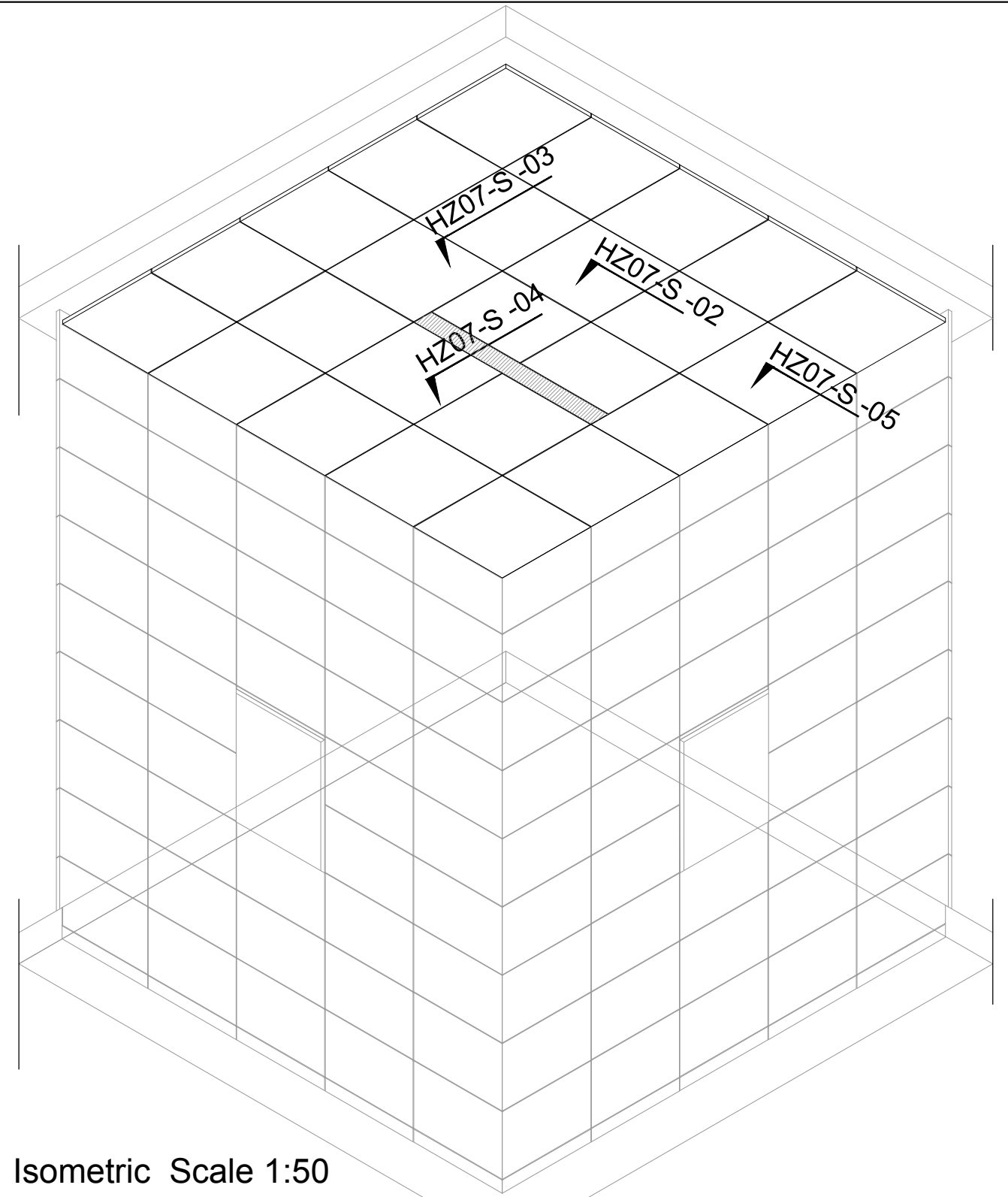
HAZ METAL Sanayi ve Ticaret A.S
 PO Box 241 31200 Iskenderun / Turkey
 Tel: +90 326 6262050 Faks: 6262045
 info@hazmetal.com / www.hazmetal.com.

Title :		Vertical Joint Installation - Typical Stone Claddings / Rain Screen - Vertical Section					
Drawing No.	HAZCD-HZ07-S-ST-02						
Series	Concept Drawings - Natural Stone Fixing System - HZ07-S Support Anchors						
Revision	01	scale	As Shown	Paper Size:	A3	Page :	2/5

HZ07-S



Vertical section Scale 1:4



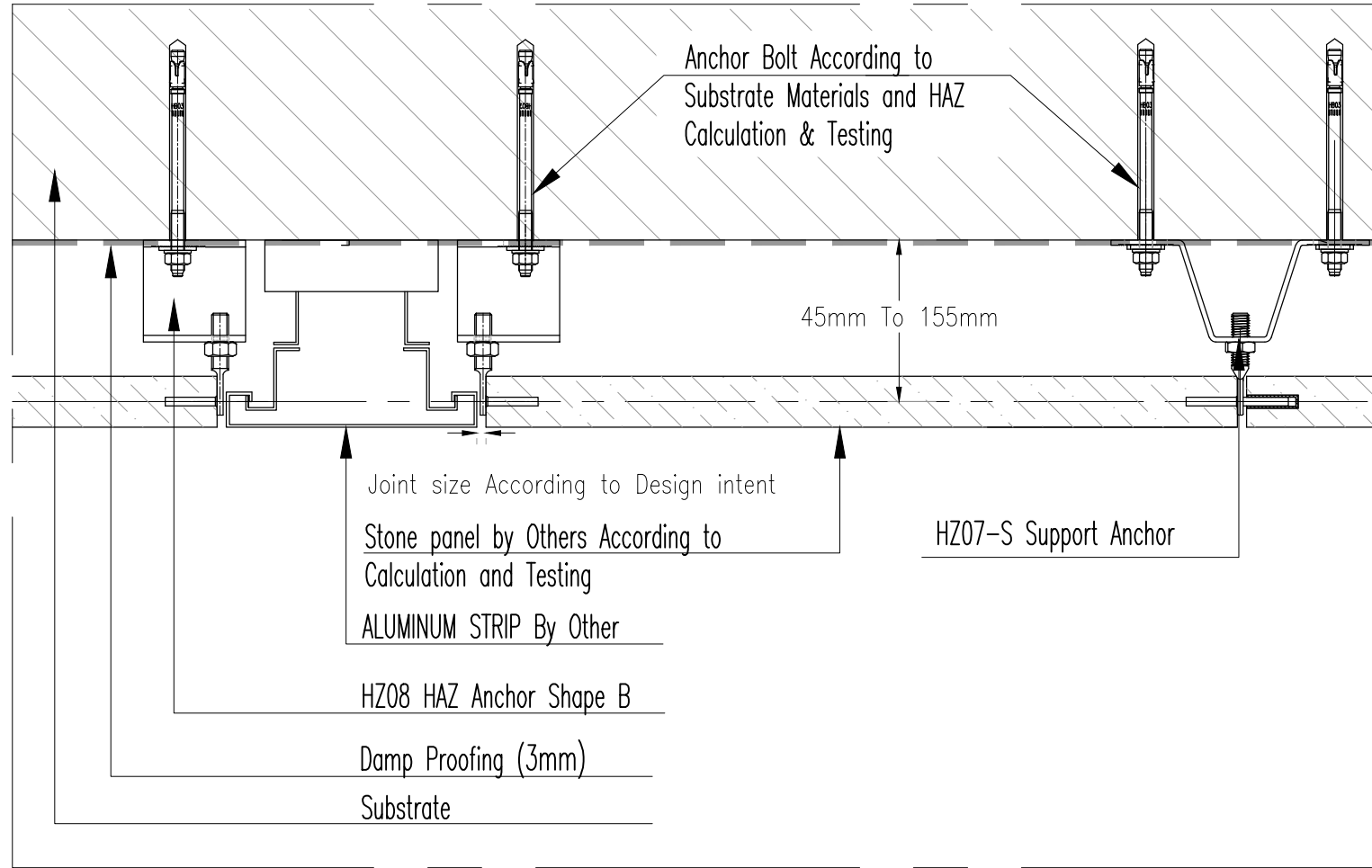
Isometric Scale 1:50



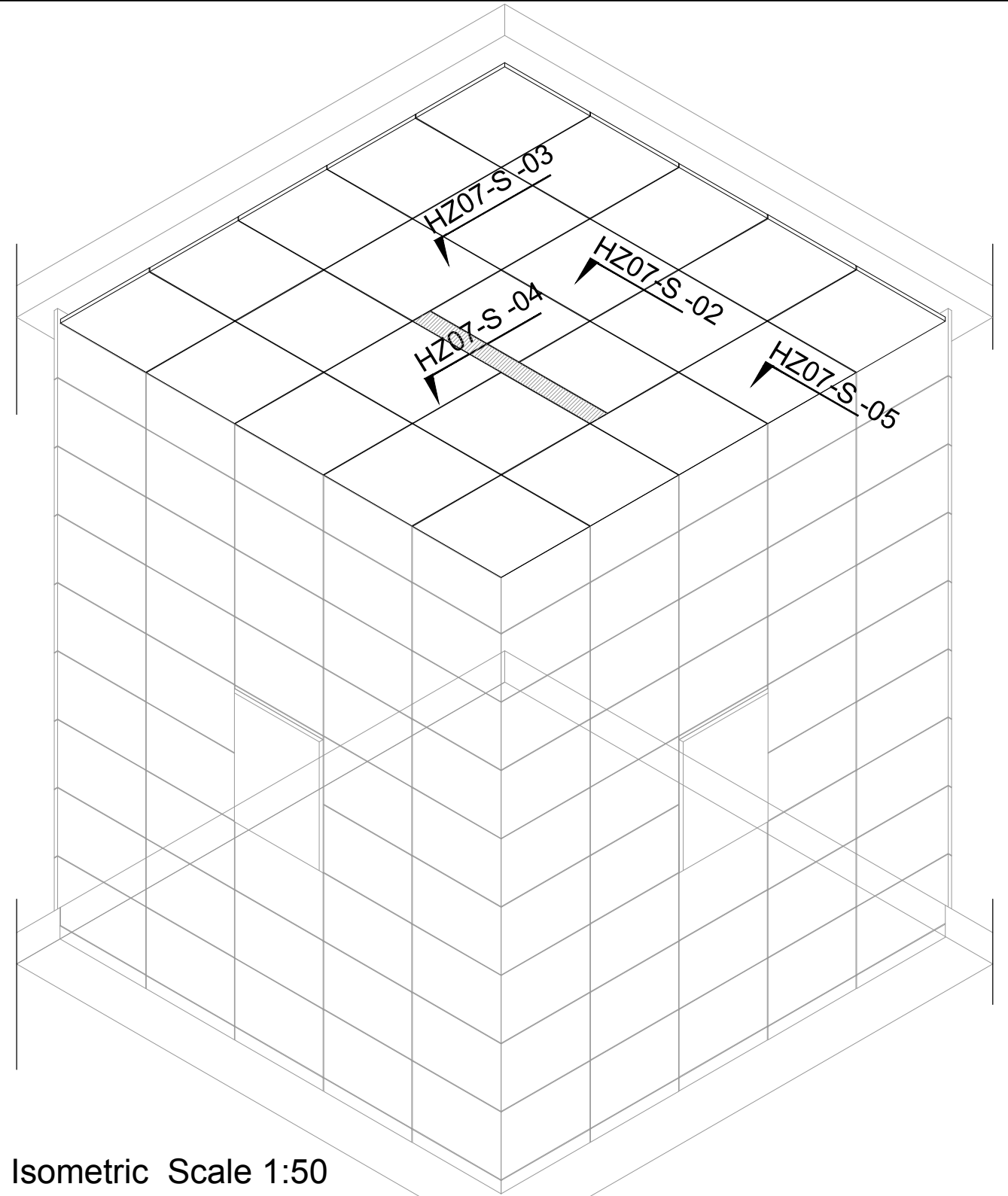
HAZ METAL Sanayi ve Ticaret A.S
 PO Box 241 31200 Iskenderun / Turkey
 Tel: +90 326 6262050 Faks: 6262045
 info@hazmetal.com / www.hazmetal.com.

Title :		Horizontal Joint Installation - Typical Stone Claddings / Rain Screen - Horizontal Section				
Drawing No.		HAZCD-HZ07-S - ST-05				
Series		Concept Drawings - Natural Stone Fixing System - HZ07-S Support Anchors				
Revision		01	scale	As Shown	Paper Size: A3	Page : 3/5

HZ07-S



Vertical section Scale 1:4



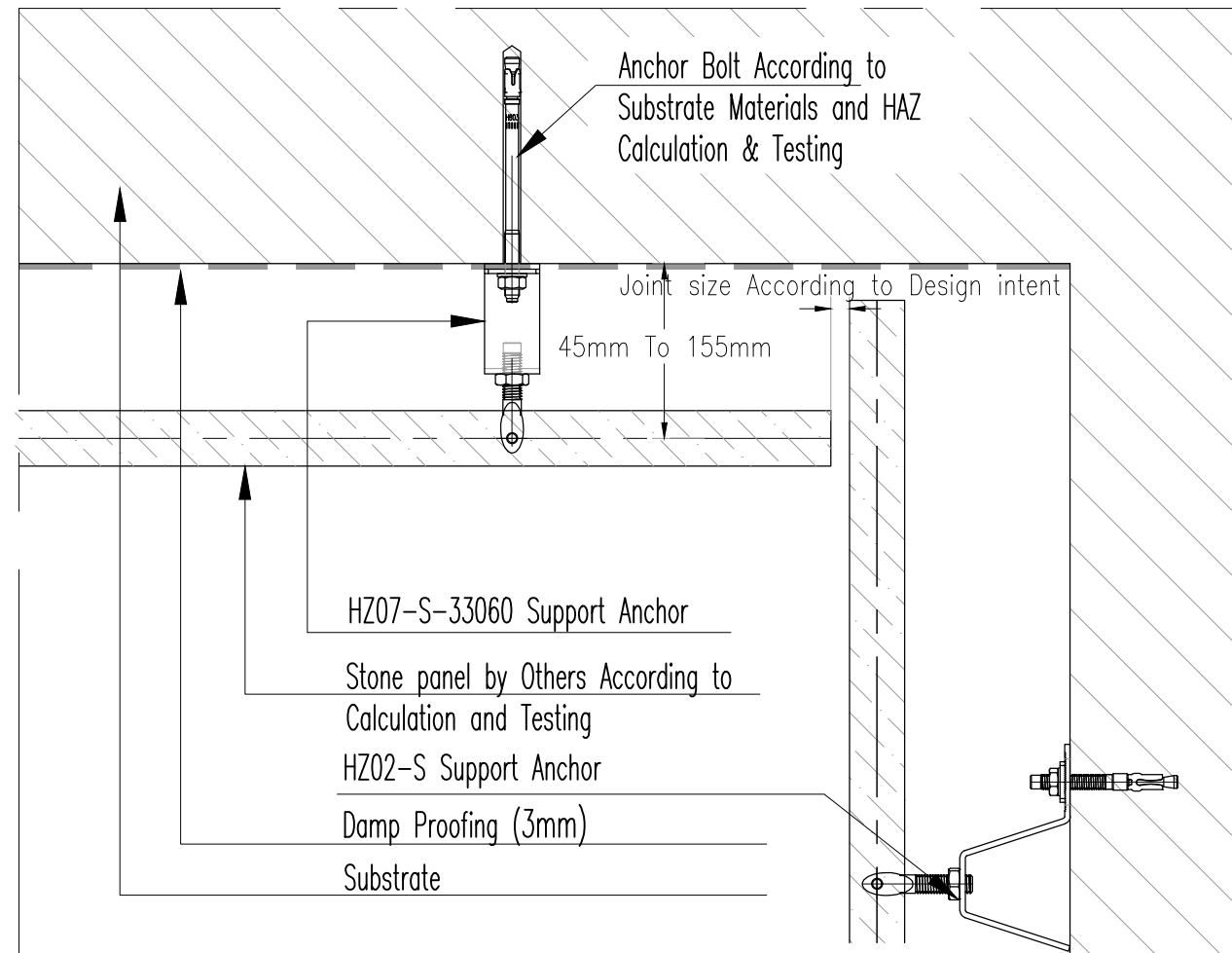
Isometric Scale 1:50



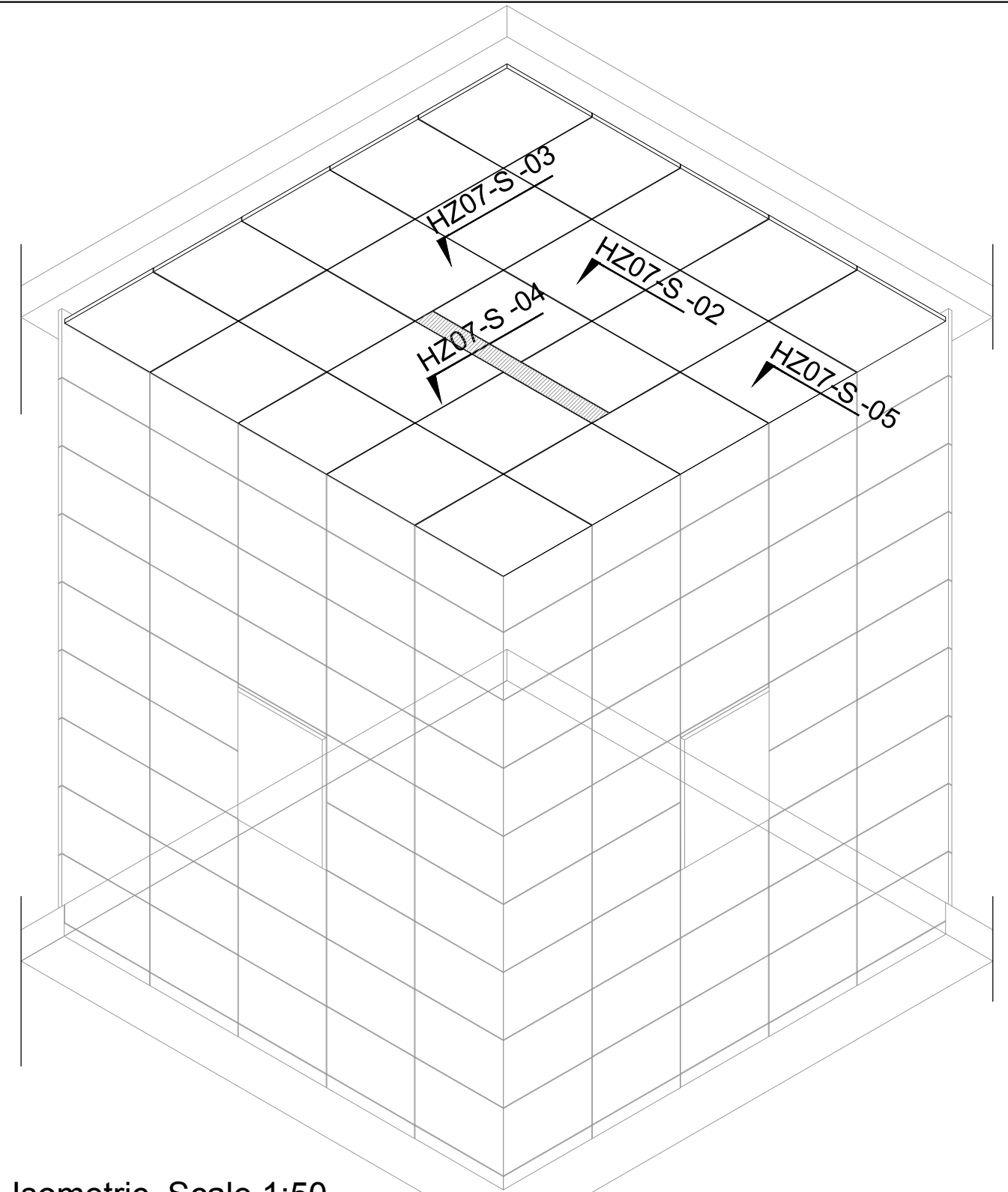
HAZ METAL Sanayi ve Ticaret A.S
 PO Box 241 31200 Iskenderun / Turkey
 Tel: +90 326 6262050 Faks: 6262045
 info@hazmetal.com / www.hazmetal.com.

Title :		Horizontal Joint Installation - Typical Stone Claddings / Rain Screen - Horizontal Section						
Drawing No.		HAZCD-HZ07-S - ST-05						
Series		Concept Drawings - Natural Stone Fixing System - HZ07-S Support Anchors						
Revision		01	scale	As Shown	Paper Size:	A3	Page :	4/5

HZ07-S



Vertical section Scale 1:4



Isometric Scale 1:50



HAZ METAL Sanayi ve Ticaret A.S
 PO Box 241 31200 Iskenderun / Turkey
 Tel: +90 326 6262050 Faks: 6262045
 info@hazmetal.com / www.hazmetal.com.

Title :		Horizontal Joint Installation - Typical Stone Claddings / Rain Screen - Horizontal Section				
Drawing No.		HAZCD-HZ07-S - ST-05				
Series		Concept Drawings - Natural Stone Fixing System - HZ07-S Support Anchors				
Revision		01	scale	As Shown	Paper Size:	A3
					Page :	5/5