

HAZ METAL
FIXING SYSTEMS

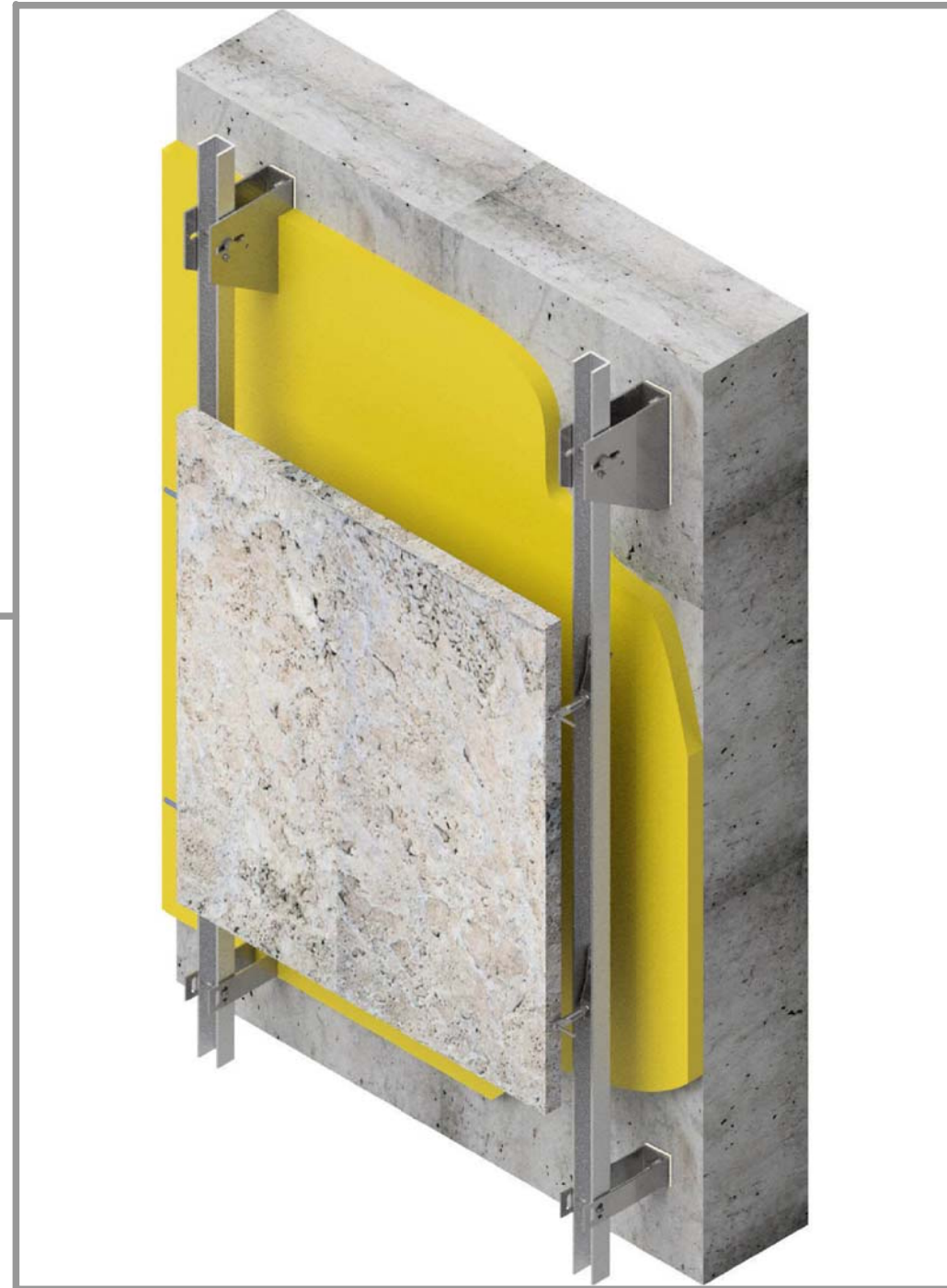
HMP-ALU-U

SUB CHANNEL SYSTEM

Concept Drawings

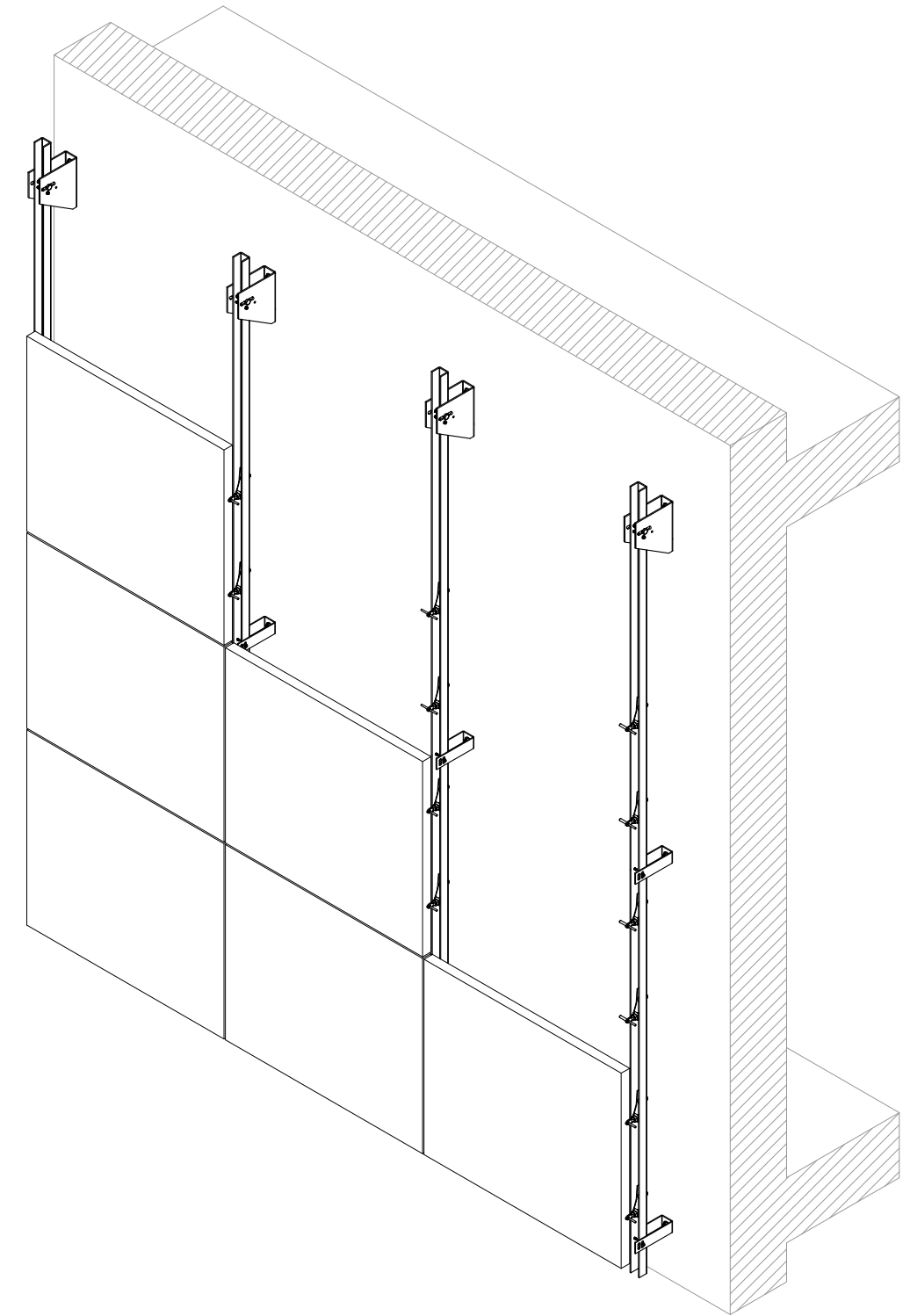
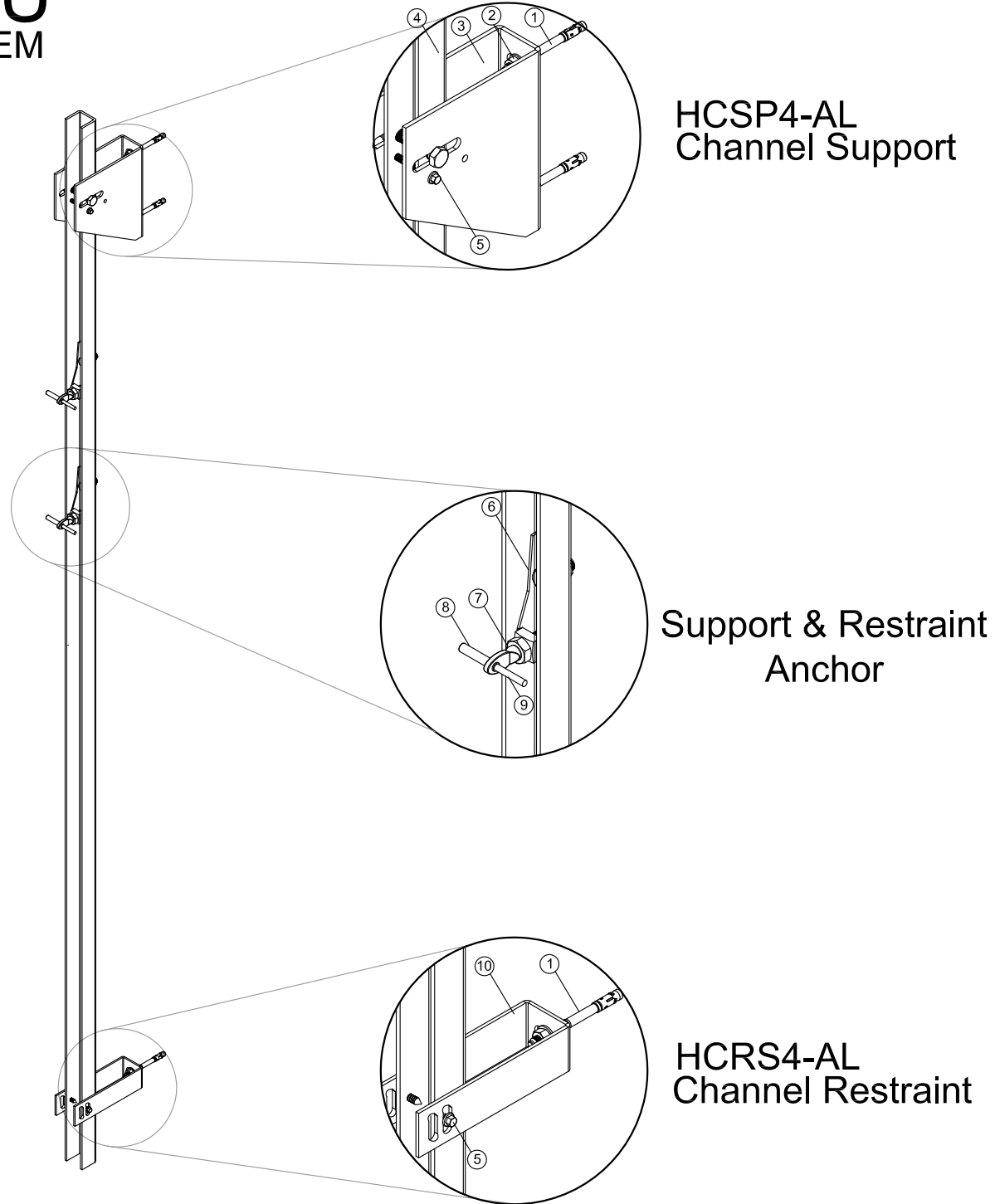
Series: HAZCD-HMP-ALU-U-ST

Aluminum Support System For Rain
Screen Stone Cladding System for
Installation at Vertical Joints



HMP-ALU-U

SUB CHANNEL SYSTEM



ISOMETRIC VIEW

| Legend | |
|--------|------------------------|
| 1 | Through Bolt |
| 2 | Round Washer |
| 3 | Anchor Body |
| 4 | Channel Support |
| 5 | Hex Bolt |
| 6 | Anchor Body |
| 7 | Adjustable Arm |
| 8 | Flanged Pin |
| 9 | Plastic Tube |
| 10 | Channel Restraint Body |

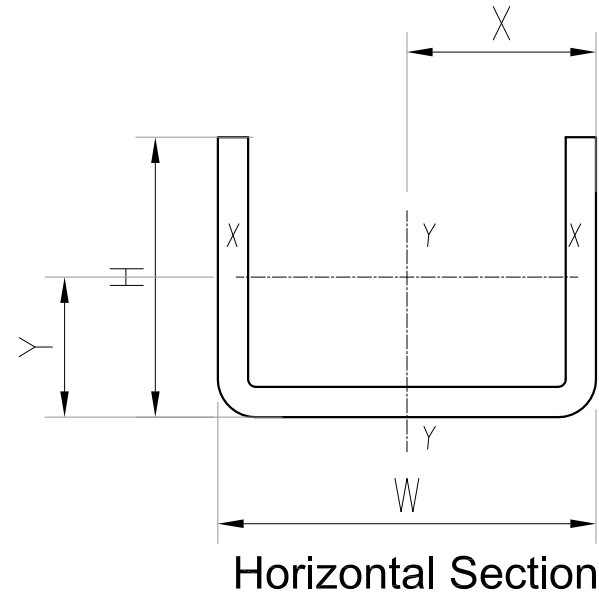
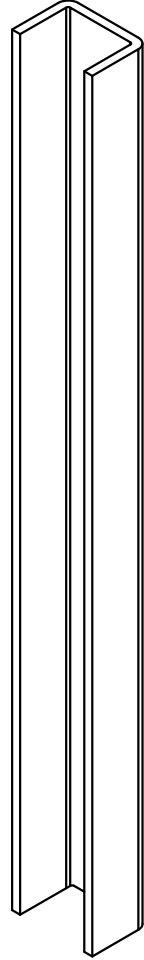


HAZ METAL Sanayi ve Ticaret A.S
PO Box 241 31200 Iskenderun / Turkey
Tel: +90 326 6262050 Faks: 6262045
info@hazmetal.com / www.hazmetal.com.

| | | | | | |
|-------------|---|-------|----------|----------------|-------------|
| Title : | Natural Stone Facade - Built-up Cavity Wall - HMP-ALU-U Vertical Joint installation | | | | |
| Drawing No. | HAZCD-HMP-ALU-U-ST-01 | | | | |
| Series | Concept Drawings - Natural Stone Fixing System - HMP-ALU Sub Channel System | | | | |
| Revision | 01 | Scale | As Shown | Paper Size: A3 | Page : 1/16 |

HMP-ALU-U

SUB CHANNEL SYSTEM



| Product Code | Technical Details | | | | | | | | |
|-----------------|--------------------|----------------|-----------------|---------------------------|--------------------------|-----------|---------------------------|--------------------------|-----------|
| | Dimensions | | | X-X Axis | | | Y-Y Axis | | |
| | Thickness T(mm) | Width W(mm) | Height H(mm) | IXX (cm ⁴) | ZX (cm ³) | X (mm) | IYY (cm ⁴) | ZY (cm ³) | Y (mm) |
| HMP-ALU-U-45/32 | 3.00 | 45.00 | 32.00 | 4.08 | 3.46 | 20.00 | 8.78 | 4.39 | 15.33 |
| HMP-ALU-U-50/37 | 4.00 | 50.00 | 37.00 | 7.86 | 5.69 | 20.00 | 10.84 | 5.42 | 19.92 |
| HMP-ALU-U-60/42 | 5.00 | 60.00 | 42.00 | 14.07 | 9.16 | 20.00 | 14.95 | 7.47 | 29.36 |

ISOMETRIC VIEW

- Material : Extruded Aluminum Grade 6063 T66 Mill finish and black anodizes.
- Tables above is prepared according to plain finish without drilled holes.
- Channels can be provided up to 6 meters length.

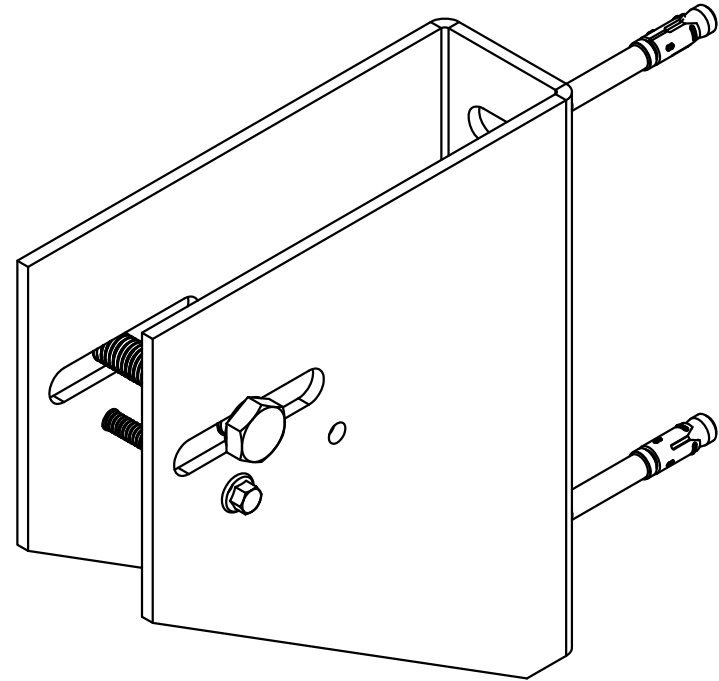


HAZ METAL Sanayi ve Ticaret A.S
 PO Box 241 31200 Iskenderun / Turkey
 Tel: +90 326 6262050 Faks: 6262045
 info@hazmetal.com / www.hazmetal.com.

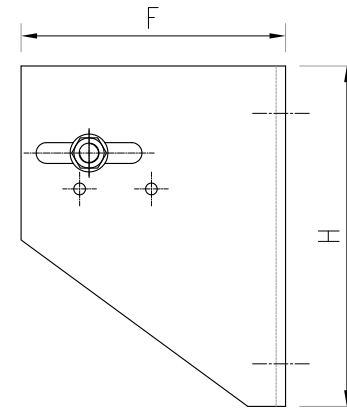
| | | | | | | | | | | |
|-------------|--|---|-------|--|----------|-------------|--|----|--------|------|
| Title : | | Natural Stone Facade - Built-up Cavity Wall - HMP-ALU-U Specification | | | | | | | | |
| Drawing No. | | HAZCD-HMP-ALU-U-ST-02 | | | | | | | | |
| Series | | Concept Drawings - Natural Stone Fixing System - HMP-ALU Sub Channel System | | | | | | | | |
| Revision | | 01 | Scale | | As Shown | Paper Size: | | A3 | Page : | 2/16 |

HCSP4-AL

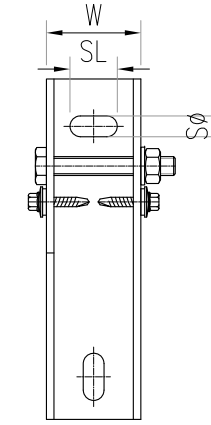
Channel Support



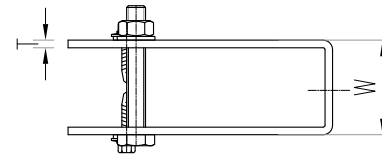
ISOMETRIC VIEW



Side View Scale 1:4



Elevation View Scale 1:4



Plan View Scale 1:4

| Product Code | Technical Details | | | | | | |
|--------------|-------------------|-----------------|-------------------|-----------|-------------------|-----------------|----------------------|
| | Width W(mm) | Height H(mm) | Forming F (mm) | Hex Screw | Expension Bolt | Max Load (N) | Max Wind Load (N) |
| HCSP4-AL-100 | 50 | 175 | 100 | M10x80 | M10x90 | 3500 | 3000 |
| HCSP4-AL-120 | 50 | 175 | 120 | | | | |
| HCSP4-AL-140 | 50 | 175 | 140 | | | | |
| HCSP4-AL-160 | 50 | 195 | 160 | | | | |
| HCSP4-AL-180 | 50 | 195 | 180 | | | | |
| HCSP4-AL-210 | 50 | 195 | 210 | | | | |
| HCSP4-AL-240 | 50 | 195 | 240 | | | | |
| HCSP4-AL-270 | 50 | 215 | 270 | | | | |
| HCSP4-AL-300 | 50 | 215 | 300 | | | | |



Title : Natural Stone Facade - Built-up Cavity Wall - HMP-ALU-U System - HCSP4-AL Specification

Drawing No. HAZCD-HMP-ALU-U-ST-03

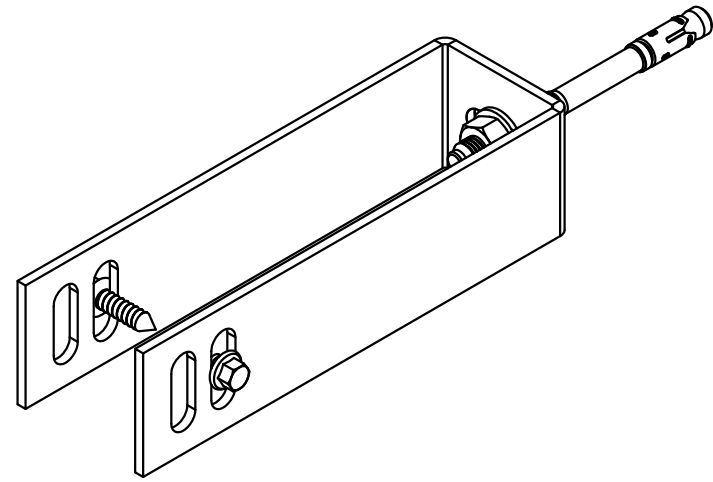
Series Concept Drawings - Natural Stone Fixing System - HMP-ALU Sub Channel System

Revision 01 Scale As Shown Paper Size: A3 Page : 3/16

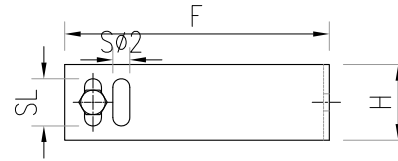
HAZ METAL Sanayi ve Ticaret A.S
PO Box 241 31200 Iskenderun / Turkey
Tel: +90 326 6262050 Faks: 6262045
info@hazmetal.com / www.hazmetal.com.

HCRS4-AL

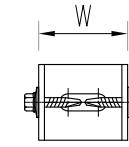
Channel Restraint



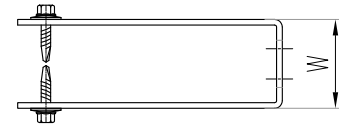
ISOMETRIC VIEW



Elevation View Scale 1:4



Side View Scale 1:4



Plan View Scale 1:4

| Product Code | Technical Details | | | | | |
|--------------|-------------------|--------------|----------------|-----------|----------------|-------------------|
| | Width W(mm) | Height H(mm) | Forming F (mm) | Hex Screw | Expension Bolt | Max Wind Load (N) |
| HCSP4-AL-100 | 50 | 40 | 100 | M8x80 | M10x90 | 3000 |
| HCSP4-AL-120 | 50 | 40 | 120 | | | |
| HCSP4-AL-140 | 50 | 40 | 140 | | | |
| HCSP4-AL-160 | 50 | 40 | 160 | | | |
| HCSP4-AL-180 | 50 | 40 | 180 | | | |
| HCSP4-AL-210 | 50 | 40 | 210 | | | |
| HCSP4-AL-240 | 50 | 40 | 240 | | | |
| HCSP4-AL-270 | 50 | 40 | 270 | | | |
| HCSP4-AL-300 | 50 | 40 | 300 | | | |

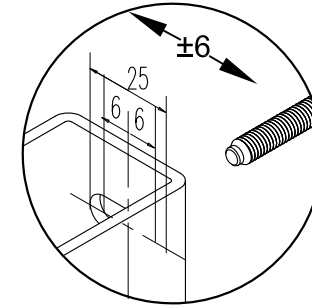
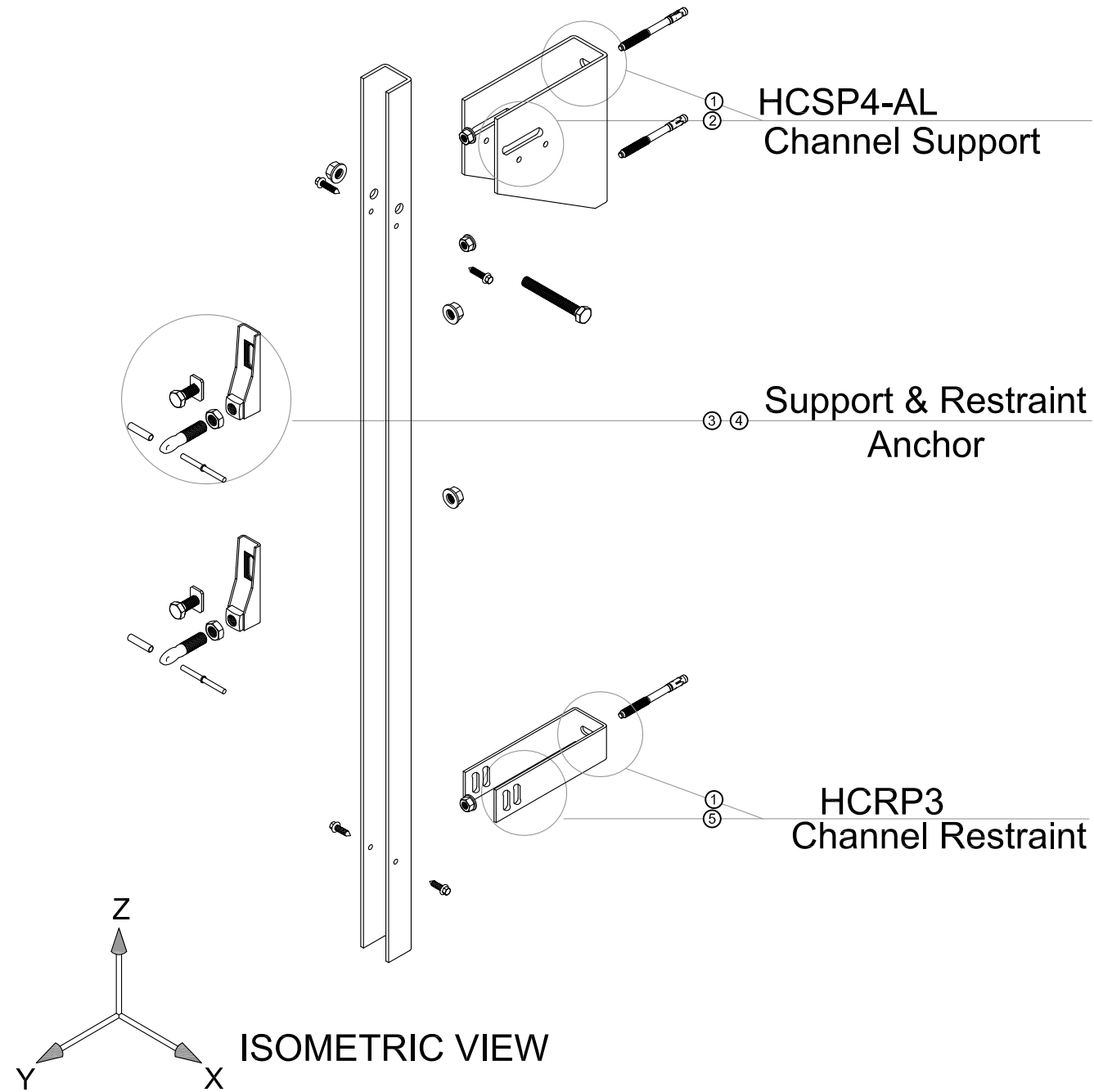


| | | | | | | |
|--|--|---|-------|----------|----------------|-------------|
| Title : Natural Stone Facade - Built-up Cavity Wall - HMP-ALU-U System- HCRS4-AL Specification | | | | | | |
| Drawing No. | | HAZCD-HMP-ALU-U-ST-04 | | | | |
| Series | | Concept Drawings - Natural Stone Fixing System - HMP-ALU Sub Channel System | | | | |
| Revision | | 01 | Scale | As Shown | Paper Size: A3 | Page : 4/16 |

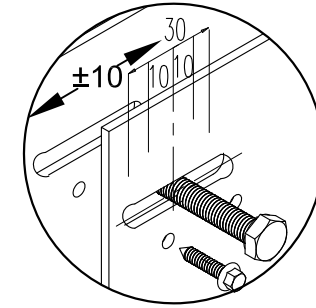
HAZ METAL Sanayi ve Ticaret A.S
 PO Box 241 31200 Iskenderun / Turkey
 Tel: +90 326 6262050 Faks: 6262045
 info@hazmetal.com / www.hazmetal.com.

HMP-ALU-U

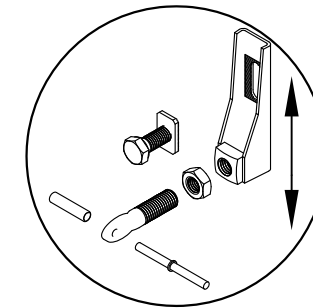
SUB CHANNEL SYSTEM



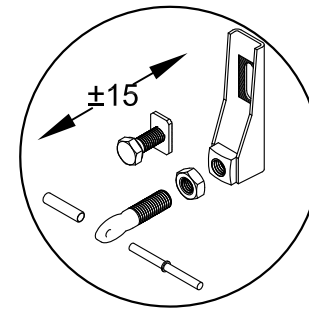
① The Adjustability on the X axis is Provided by Slotted hole ± 6 mm .



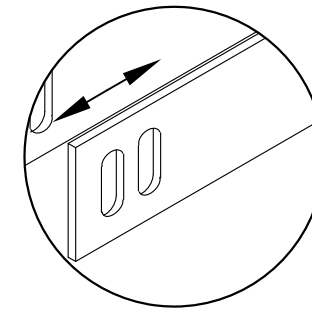
② The Adjustability on the Y axis is Provided by Slotted hole ± 10 mm .



③ Adjustment of the anchor Up and Down on the Z Axis is provided by slotted Hole.



④ Adjustment of the anchor Up and Down on the Y Axis is provided by rotating the adjustable arm ± 15 mm.



⑤ Adjustment of the Projection size on the Y Axis is provided by 2 slotted holes .

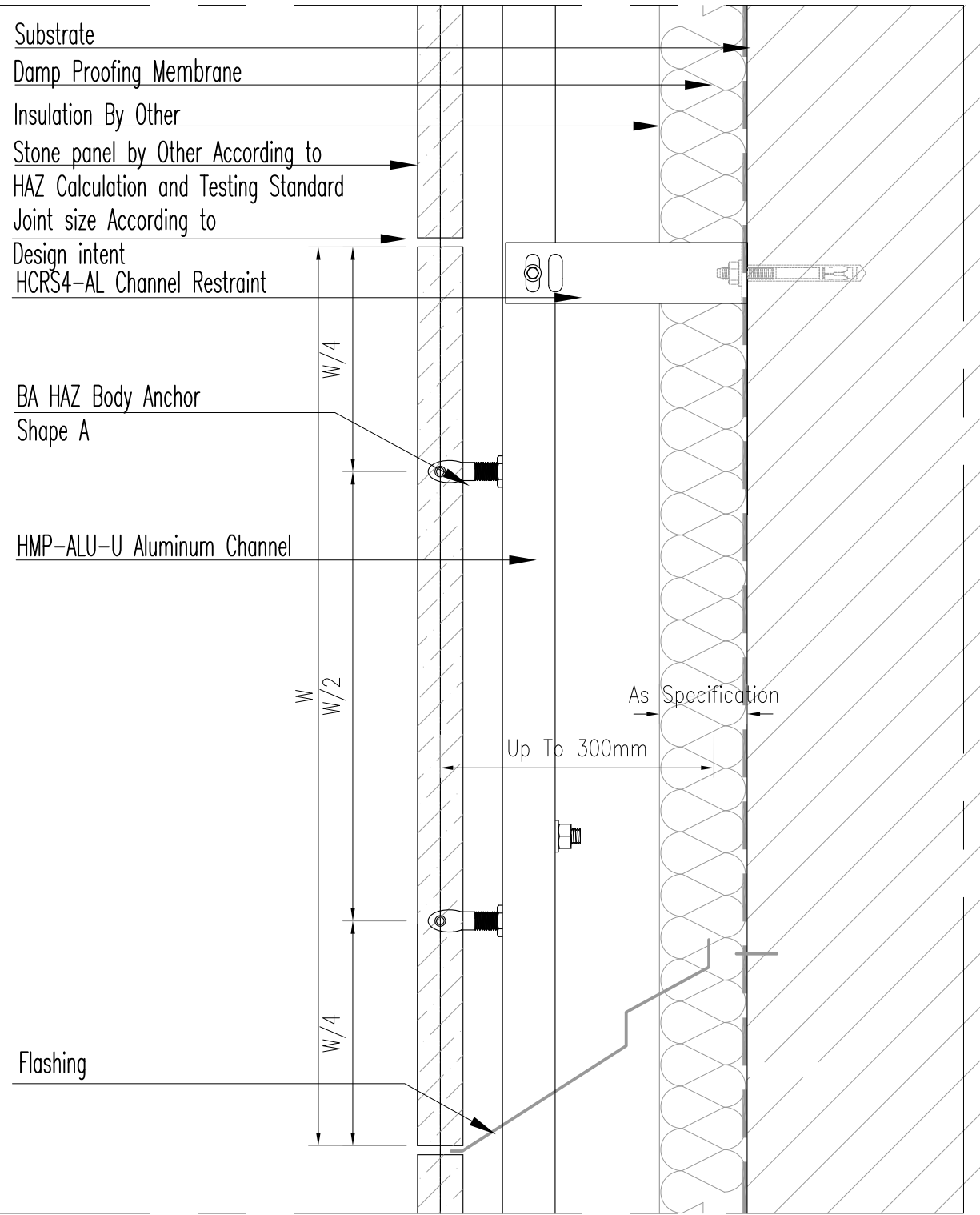
Note: For Further Dimension Refer to Each Items Details Drawings.



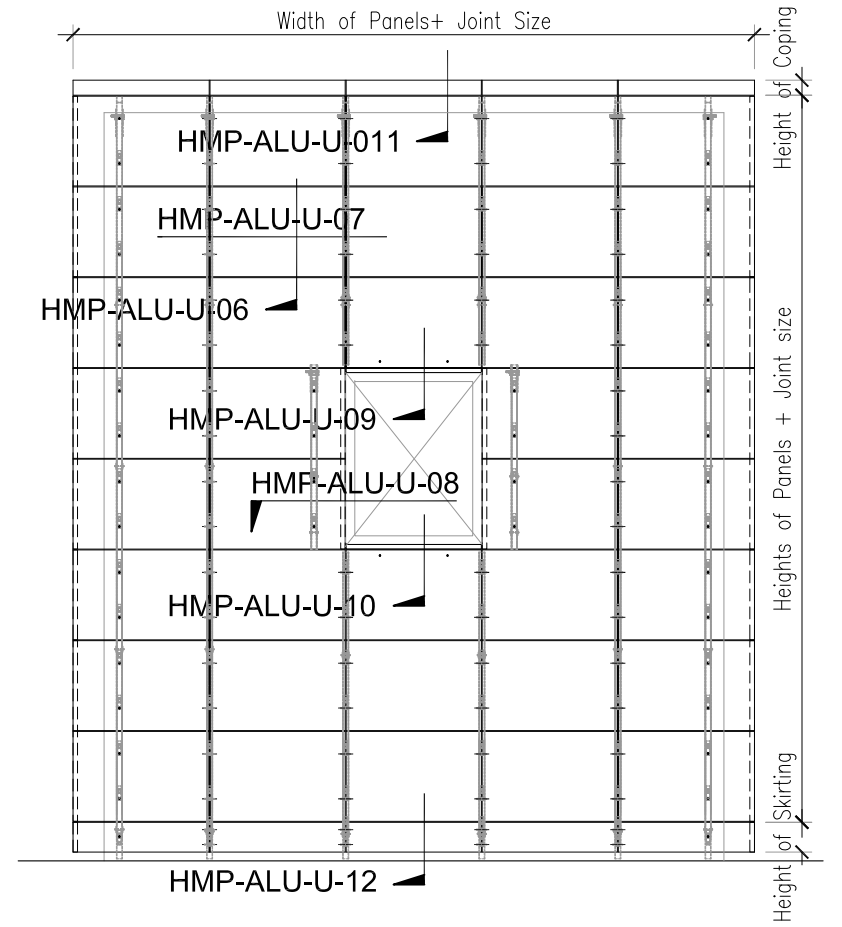
HAZ METAL Sanayi ve Ticaret A.S
PO Box 241 31200 Iskenderun / Turkey
Tel: +90 326 6262050 Faks: 6262045
info@hazmetal.com / www.hazmetal.com.

| | | | | | |
|--|----|---|----------|----------------|-------------|
| Title : Natural Stone Facade - Built-up Cavity Wall - HMP-ALU-U System - Adjustability | | | | | |
| Drawing No. | | HAZCD-HMP-ALU-U-ST-05 | | | |
| Series | | Concept Drawings - Natural Stone Fixing System - HMP-ALU Sub Channel System | | | |
| Revision | 01 | Scale | As Shown | Paper Size: A3 | Page : 5/16 |

HMP-ALU-U SUB CHANNEL SYSTEM



Vertical section Scale 1:4



Elevation Scale 1:50

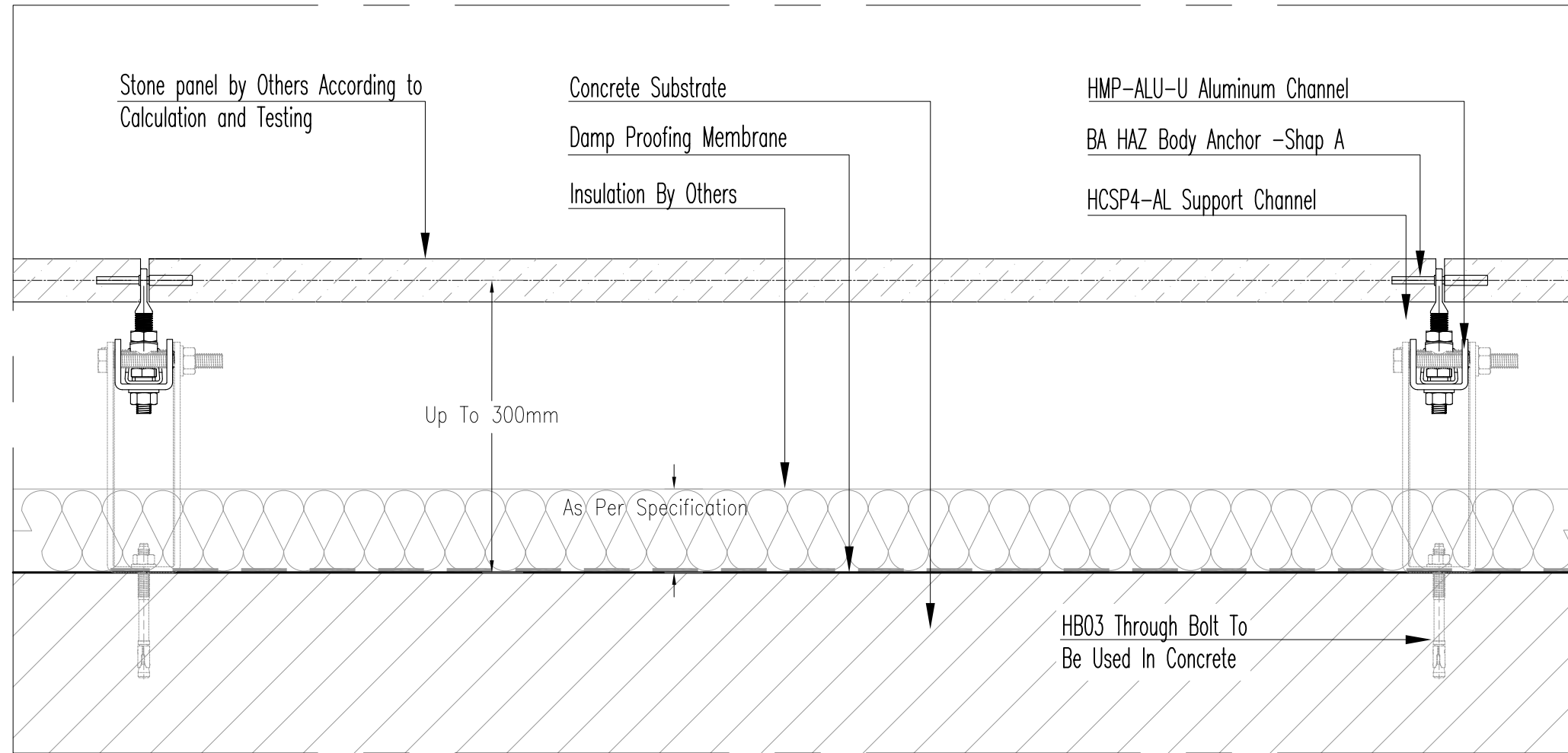


| | | | | | |
|-------------|----|---|----------|----------------|-------------|
| Title : | | Vertical Joint Installation - Typical Stone Claddings - HMP-ALU-U System - Vertical Section | | | |
| Drawing No. | | HAZCD-HMP-ALU-U-ST-06 | | | |
| Series | | Concept Drawings - Natural Stone Fixing System - HMP-ALU Sub Channel System | | | |
| Revision | 01 | Scale | As Shown | Paper Size: A3 | Page : 6/16 |

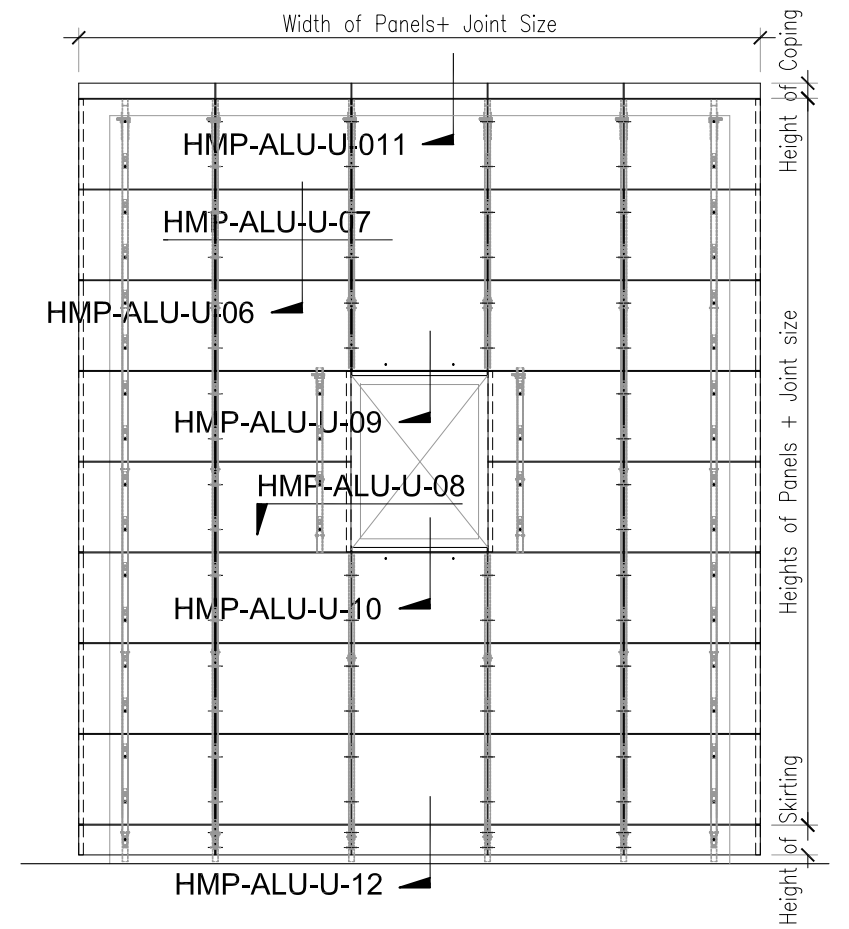
HAZ METAL Sanayi ve Ticaret A.S
 PO Box 241 31200 Iskenderun / Turkey
 Tel: +90 326 6262050 Faks: 6262045
 info@hazmetal.com / www.hazmetal.com.

HMP-ALU-U

SUB CHANNEL SYSTEM



Horizontal section Scale 1:4



Elevation Scale 1:50

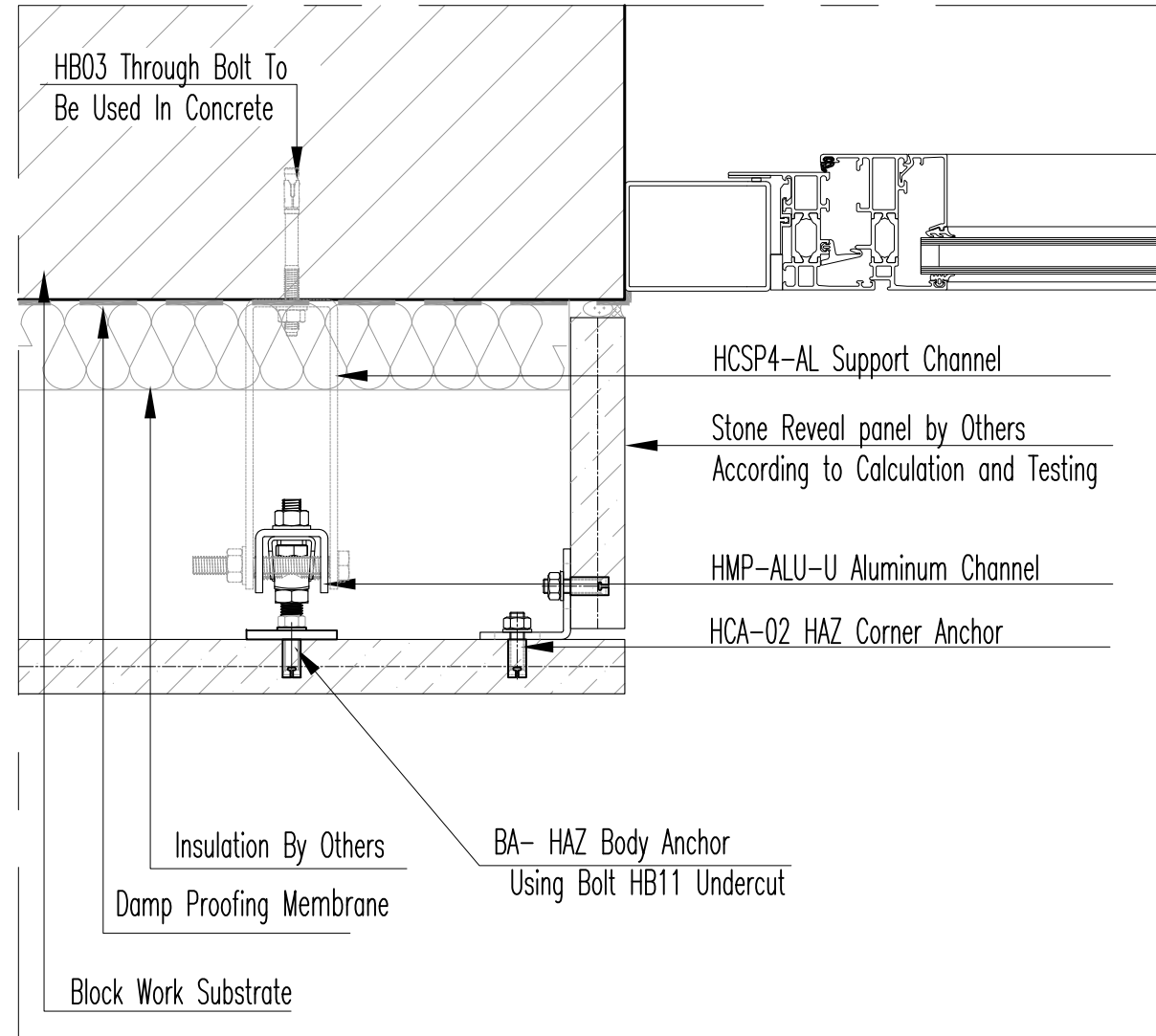


| | | | | | |
|-------------|----|---|----------|-------------|----|
| Title : | | Vertical Joint Installation - HMP-ALU-U System - Typical Stone Claddings - Horizontal Section | | | |
| Drawing No. | | HAZCD-HMP-ALU-U-ST-07 | | | |
| Series | | Concept Drawings - Natural Stone Fixing System - HMP-ALU Sub Channel System | | | |
| Revision | 01 | Scale | As Shown | Paper Size: | A3 |
| | | | Page : | 7/16 | |

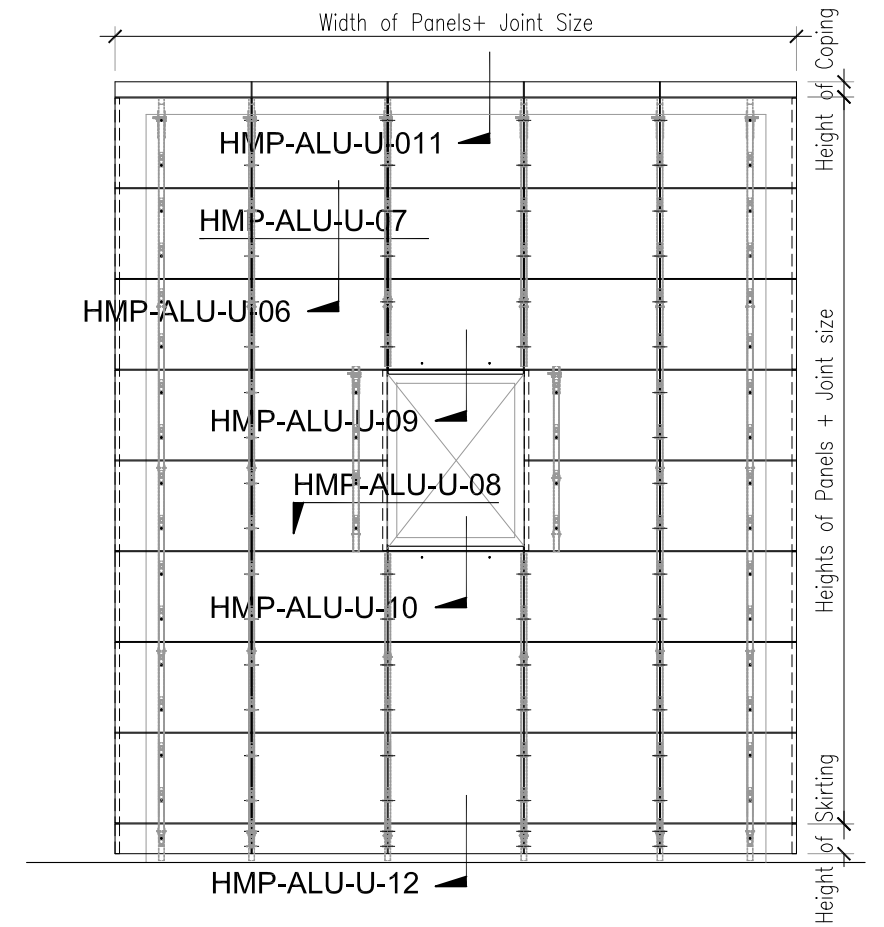
HAZ METAL Sanayi ve Ticaret A.S
 PO Box 241 31200 Iskenderun / Turkey
 Tel: +90 326 6262050 Faks: 6262045
 info@hazmetal.com / www.hazmetal.com.

HMP-ALU-U

SUB CHANNEL SYSTEM



Horizontal section Scale 1:4



Elevation Scale 1:50

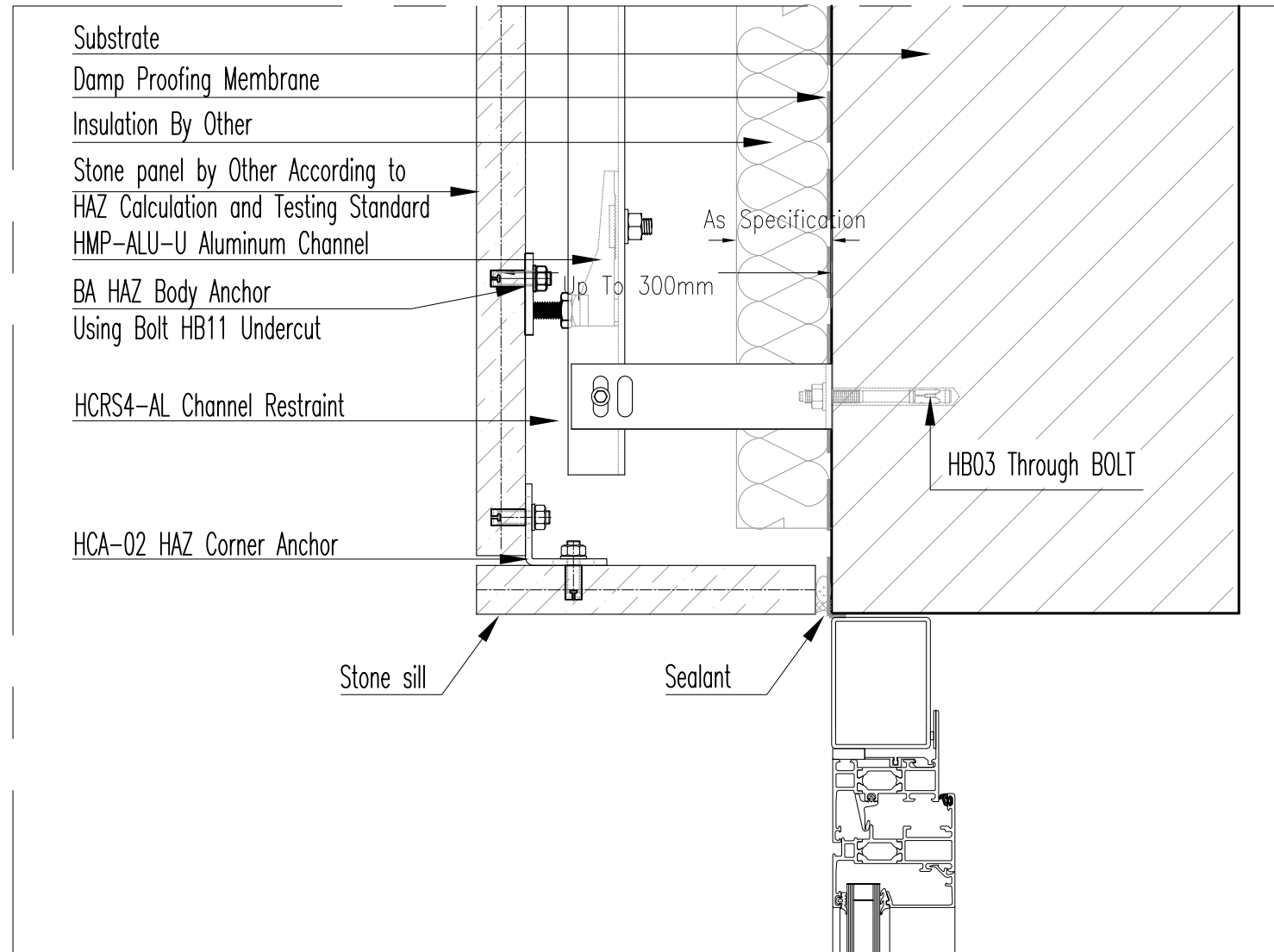


| | | | | | |
|-------------|--|---|-------|----------|----------------|
| Title : | | HMP-ALU-U System - Stone Reveal - Horizontal Section | | | |
| Drawing No. | | HAZCD-HMP-ALU-U-ST-08 | | | |
| Series | | Concept Drawings - Natural Stone Fixing System - HMP-ALU Sub Channel System | | | |
| Revision | | 01 | Scale | As Shown | Paper Size: A3 |
| | | | | | Page : 8/16 |

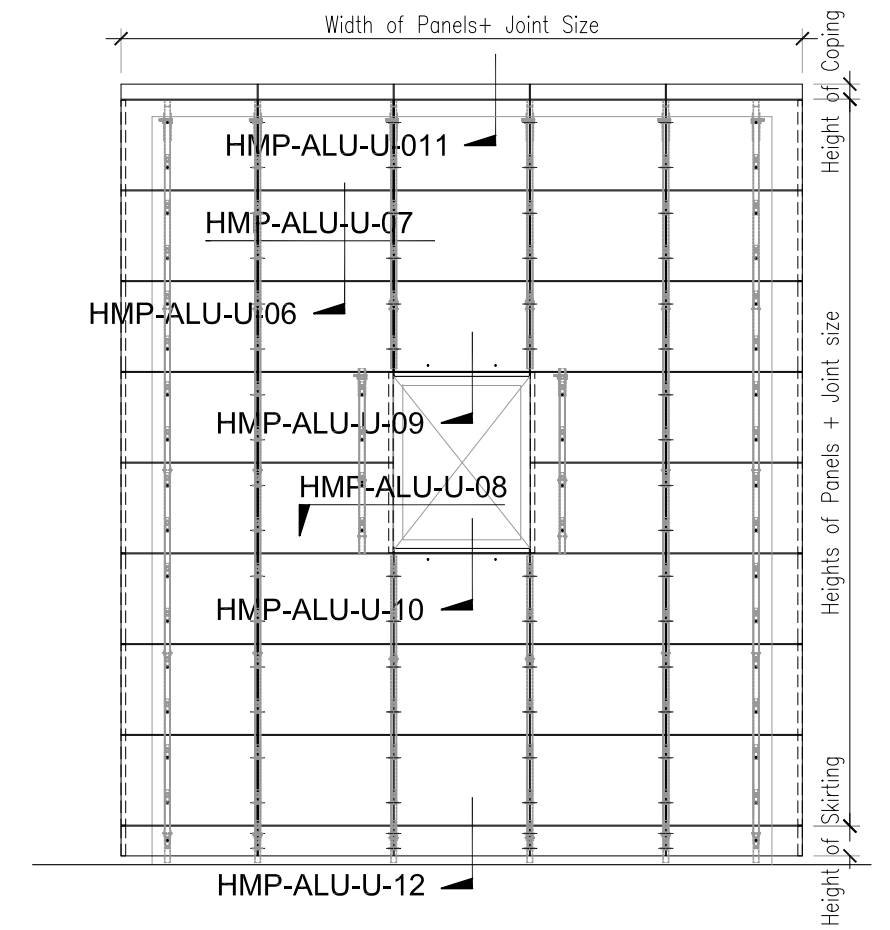
HAZ METAL Sanayi ve Ticaret A.S
 PO Box 241 31200 Iskenderun / Turkey
 Tel: +90 326 6262050 Faks: 6262045
 info@hazmetal.com / www.hazmetal.com.

HMP-ALU-U

SUB CHANNEL SYSTEM



Vertical section Scale 1:4



Elevation Scale 1:50

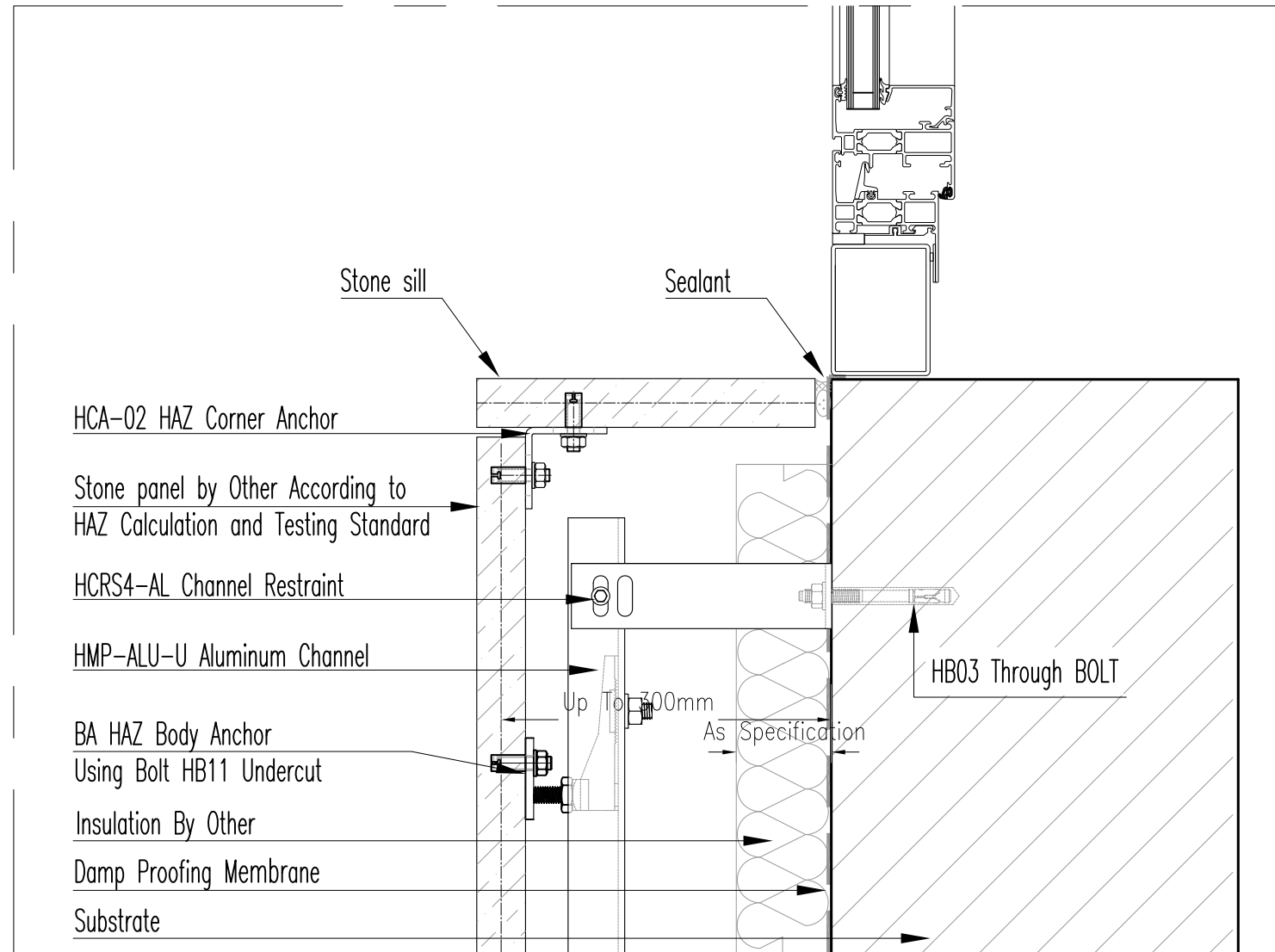


HAZ METAL Sanayi ve Ticaret A.S
 PO Box 241 31200 Iskenderun / Turkey
 Tel: +90 326 6262050 Faks: 6262045
 info@hazmetal.com / www.hazmetal.com.

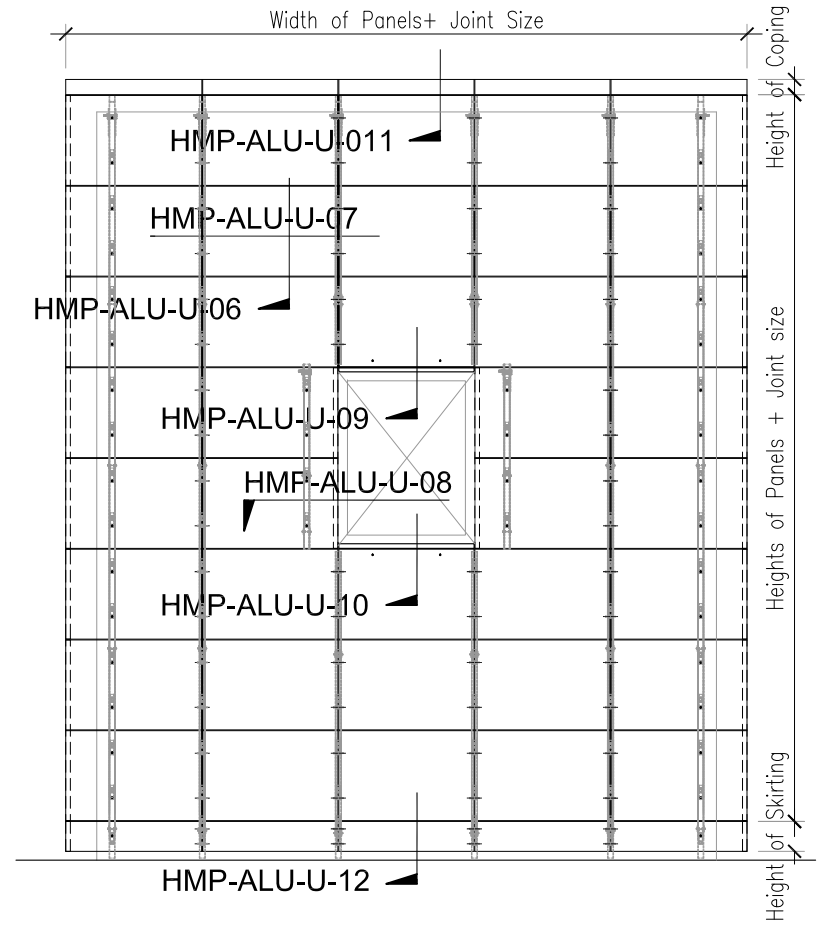
| | | | | | |
|-------------|---|---|----------|----------------|-------------|
| Title : | | HMP-ALU-U System -- Stone Soffit - Vertical Section | | | |
| Drawing No. | HAZCD-HMP-ALU-U-ST-09 | | | | |
| Series | Concept Drawings - Natural Stone Fixing System - HMP-ALU Sub Channel System | | | | |
| Revision | 01 | Scale | As Shown | Paper Size: A3 | Page : 9/16 |

HMP-ALU-U

SUB CHANNEL SYSTEM



Vertical section Scale 1:4



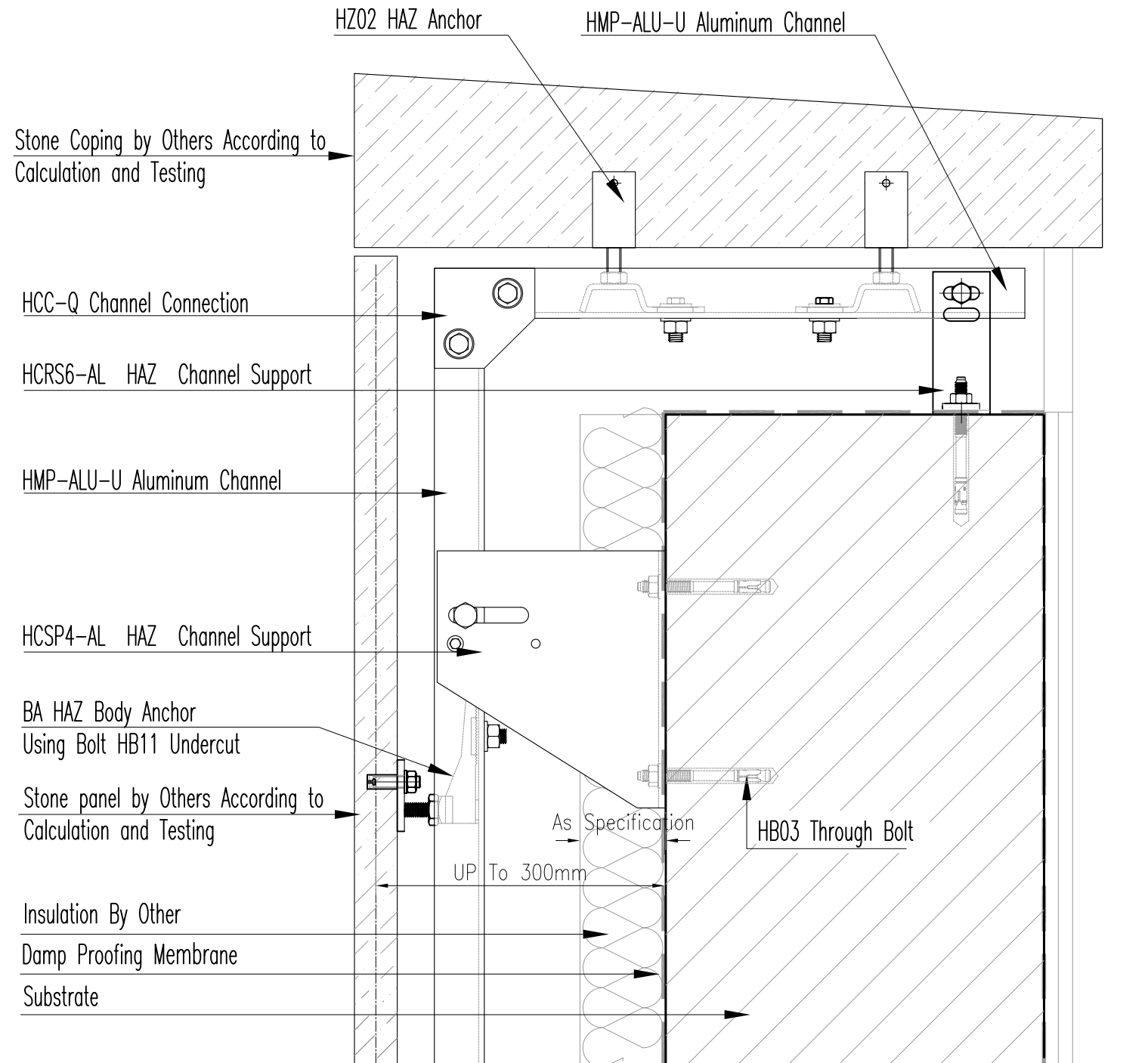
Elevation Scale 1:50



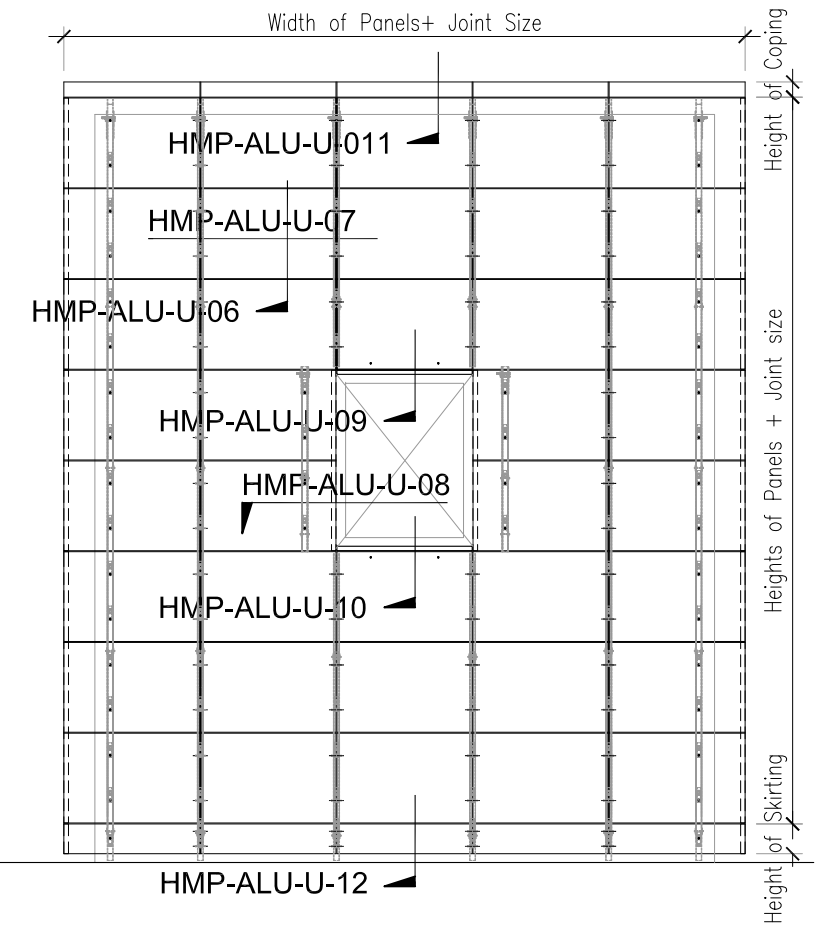
| | | | | | |
|-------------|---|--|----------|----------------|--------------|
| Title : | | HMP-ALU-U System - Stone Sill - Vertical Section | | | |
| Drawing No. | HAZCD-HMP-ALU-U-ST-10 | | | | |
| Series | Concept Drawings - Natural Stone Fixing System - HMP-ALU Sub Channel System | | | | |
| Revision | 01 | Scale | As Shown | Paper Size: A3 | Page : 10/16 |

HAZ METAL Sanayi ve Ticaret A.S
 PO Box 241 31200 Iskenderun / Turkey
 Tel: +90 326 6262050 Faks: 6262045
 info@hazmetal.com / www.hazmetal.com.

HMP-ALU-U SUB CHANNEL SYSTEM



Vertical section Scale 1:4



Elevation Scale 1:50

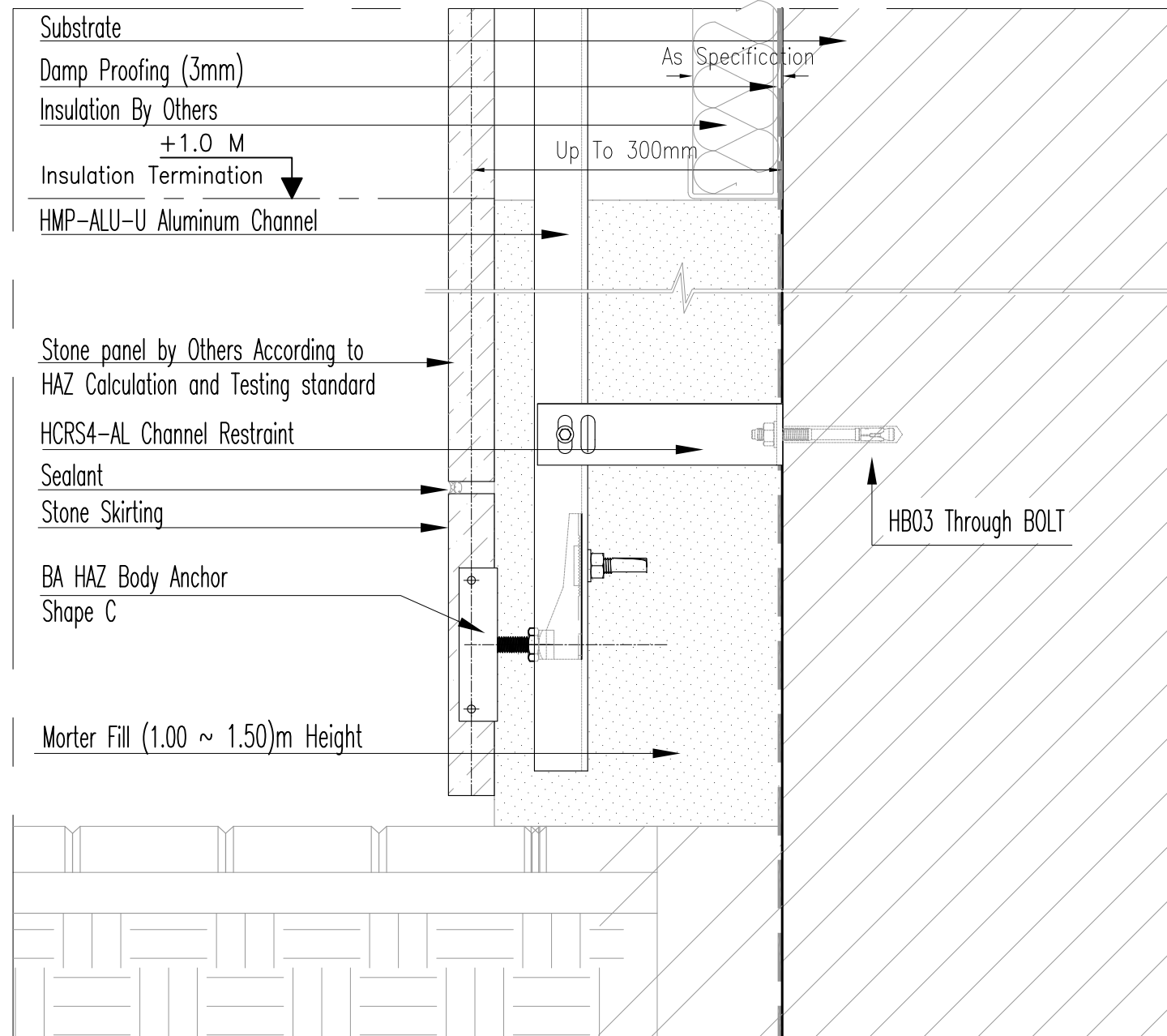


| | | | | | |
|-------------|----|---|----------|----------------|--------------|
| Title : | | Vertical Joint Installation -HMP-ALU-U System - Stone Coping - Vertical Section | | | |
| Drawing No. | | HAZCD-HMP-ALU-U-ST-11 | | | |
| Series | | Concept Drawings - Natural Stone Fixing System - HMP-ALU Sub Channel System | | | |
| Revision | 01 | Scale | As Shown | Paper Size: A3 | Page : 11/16 |

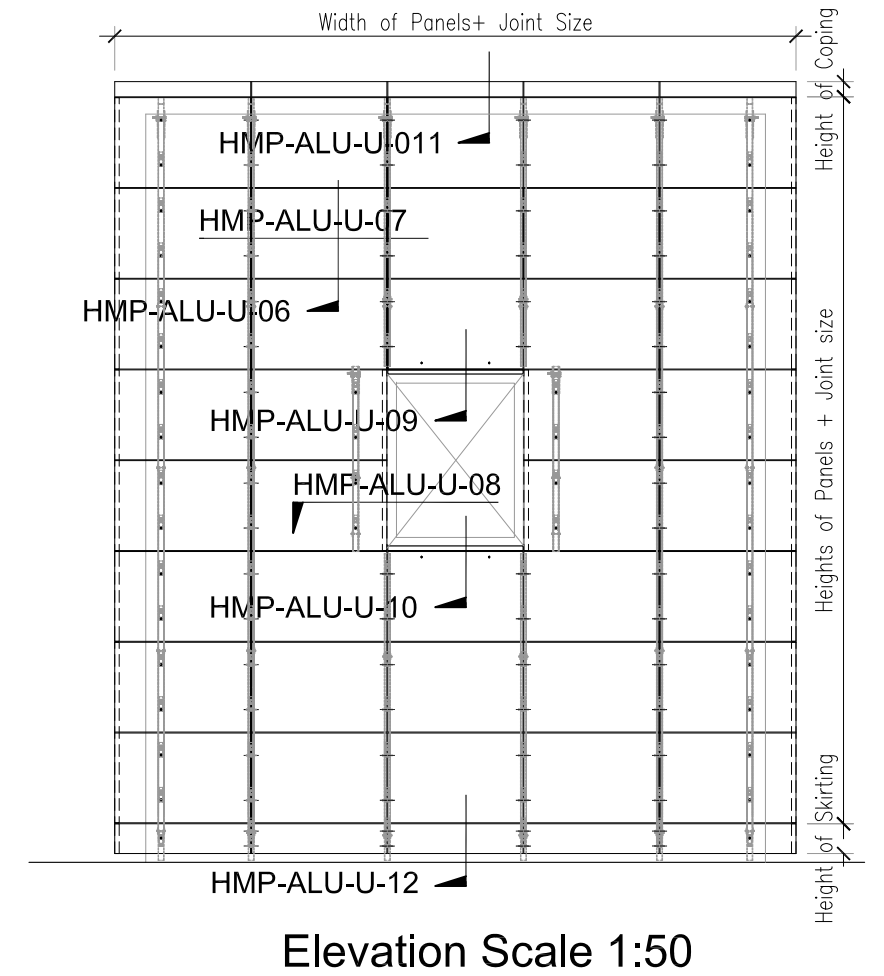
HAZ METAL Sanayi ve Ticaret A.S
PO Box 241 31200 Iskenderun / Turkey
Tel: +90 326 6262050 Faks: 6262045
info@hazmetal.com / www.hazmetal.com.

HMP-ALU-U

SUB CHANNEL SYSTEM



Vertical section Scale 1:4

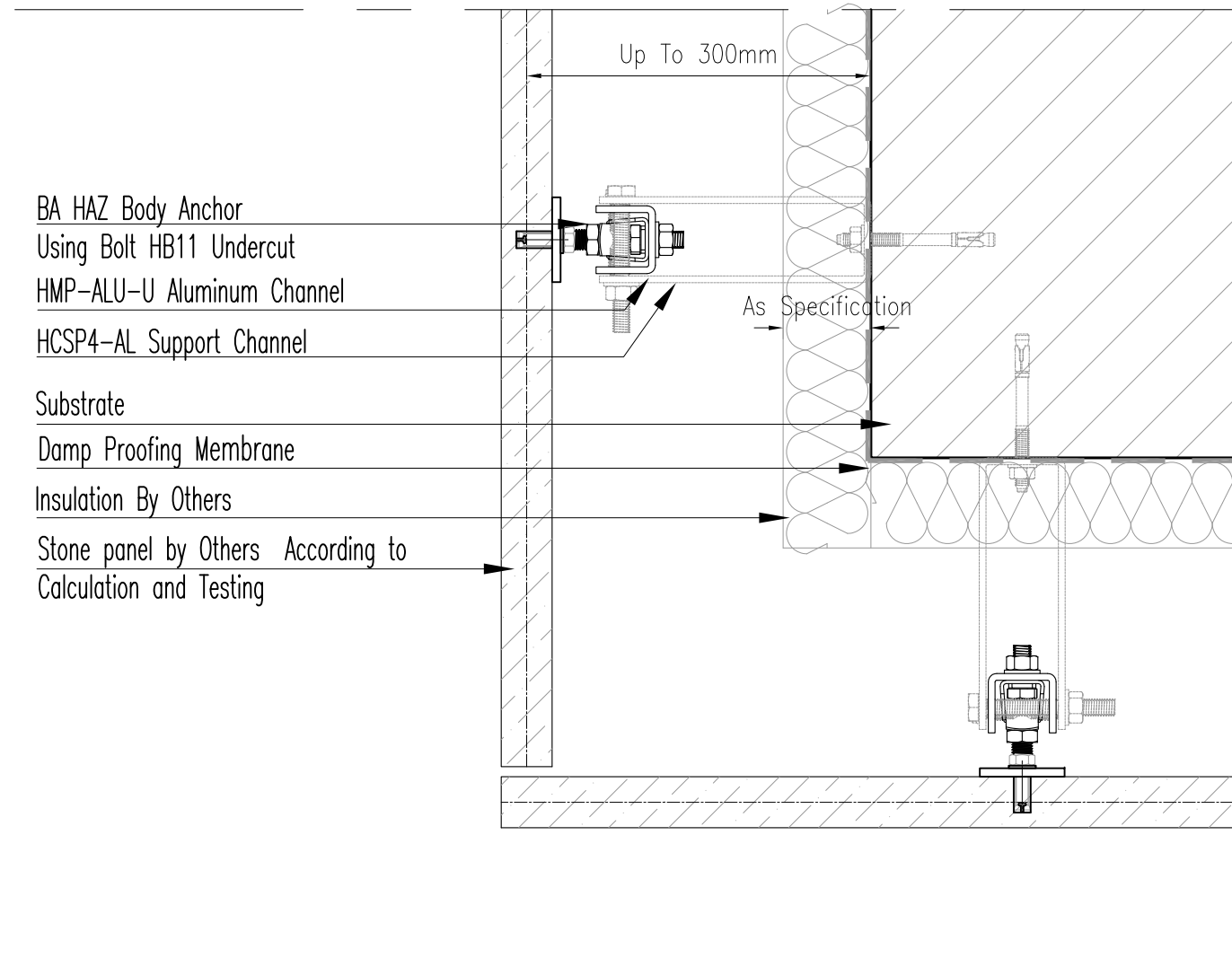


| | | | | | |
|-------------|--|--|-------|----------|----------------|
| Title : | | Vertical Joint Installation - HMP-ALU-U System - Stone Skirting - Vertical Section | | | |
| Drawing No. | | HAZCD-HMP-ALU-U-ST-12 | | | |
| Series | | Concept Drawings - Natural Stone Fixing System - HMP-ALU Sub Channel System | | | |
| Revision | | 01 | Scale | As Shown | Paper Size: A3 |
| | | | | | Page : 12/16 |

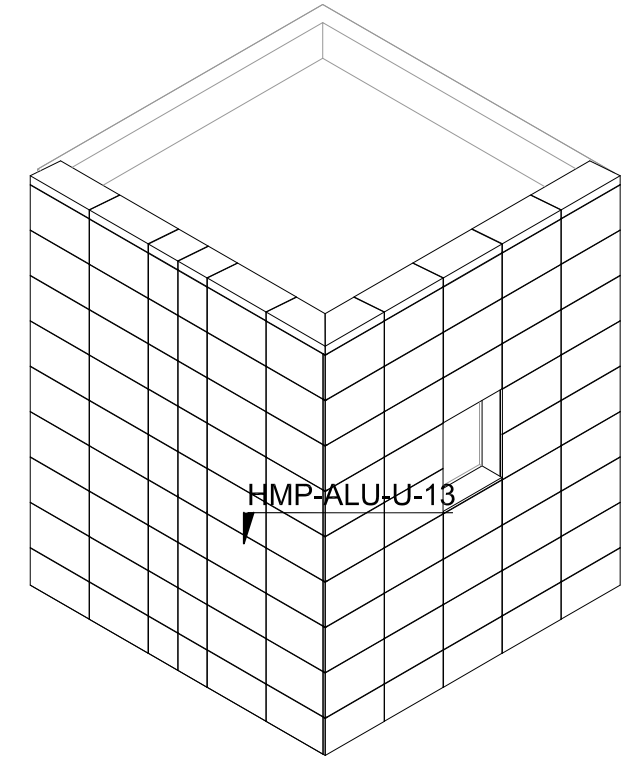
HAZ METAL Sanayi ve Ticaret A.S
 PO Box 241 31200 Iskenderun / Turkey
 Tel: +90 326 6262050 Faks: 6262045
 info@hazmetal.com / www.hazmetal.com.

HMP-ALU-U

SUB CHANNEL SYSTEM



Horizontal section Scale 1:4



Isometric Scale 1:100

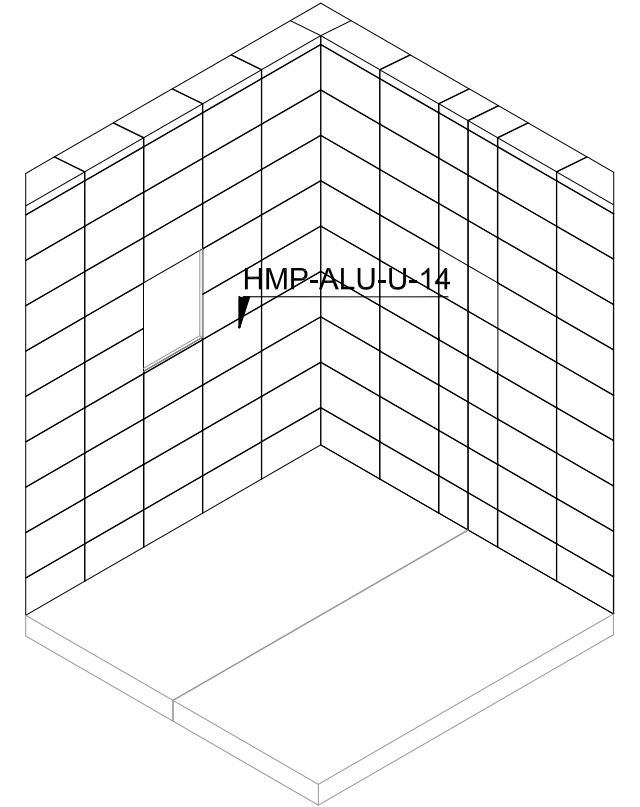
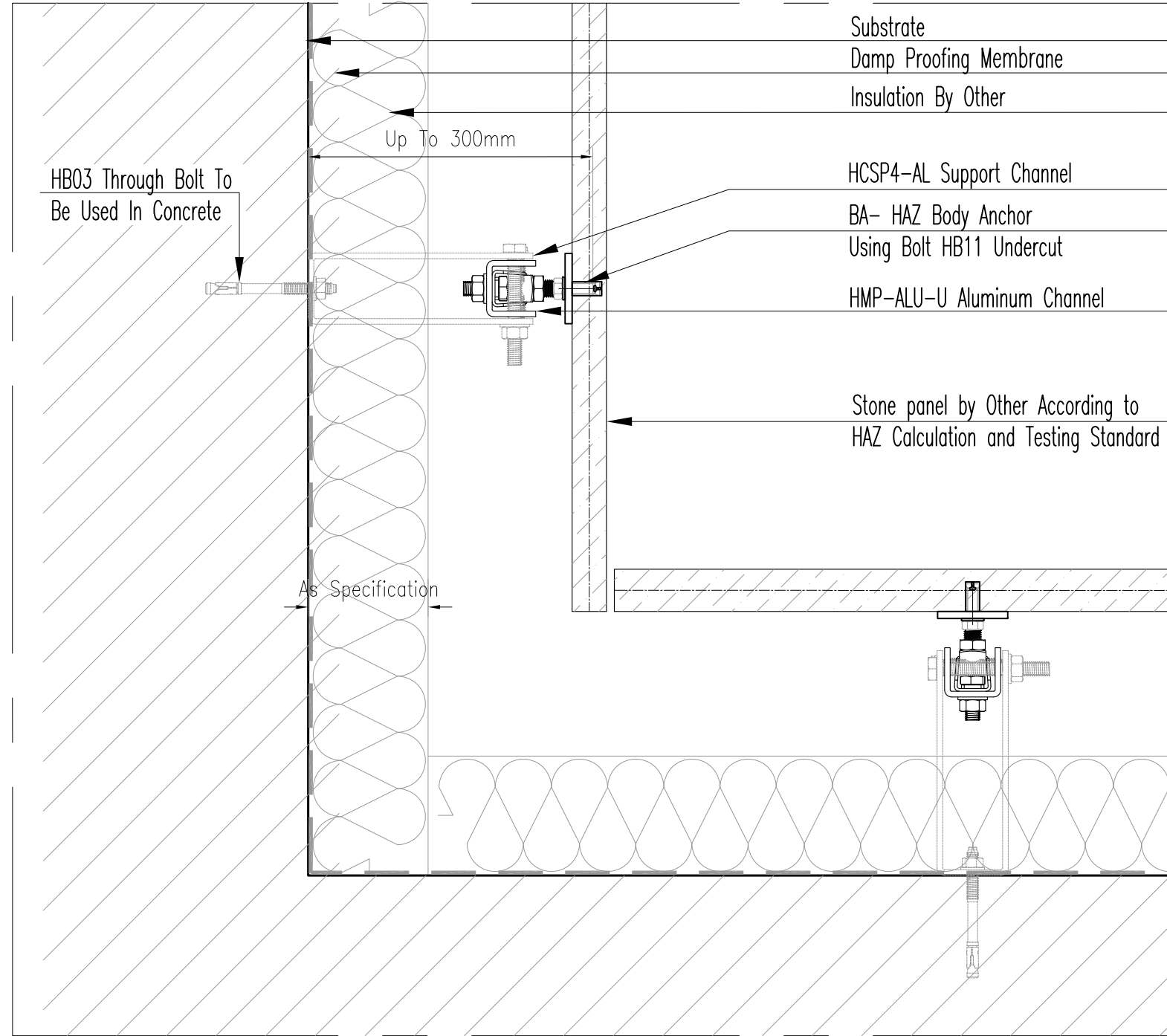


| | | | | | |
|-------------|--|---|-------|----------|----------------|
| Title : | | HMP-ALU-U System - External Corner Stone Cladding - Horizontal Section | | | |
| Drawing No. | | HAZCD-HMP-ALU-U-ST-13 | | | |
| Series | | Concept Drawings - Natural Stone Fixing System - HMP-ALU Sub Channel System | | | |
| Revision | | 01 | Scale | As Shown | Paper Size: A3 |
| | | | | | Page : 13/16 |

HAZ METAL Sanayi ve Ticaret A.S
PO Box 241 31200 Iskenderun / Turkey
Tel: +90 326 6262050 Faks: 6262045
info@hazmetal.com / www.hazmetal.com.

HMP-ALU-U

SUB CHANNEL SYSTEM



Isometric Scale 1:100

Horizontal section Scale 1:4

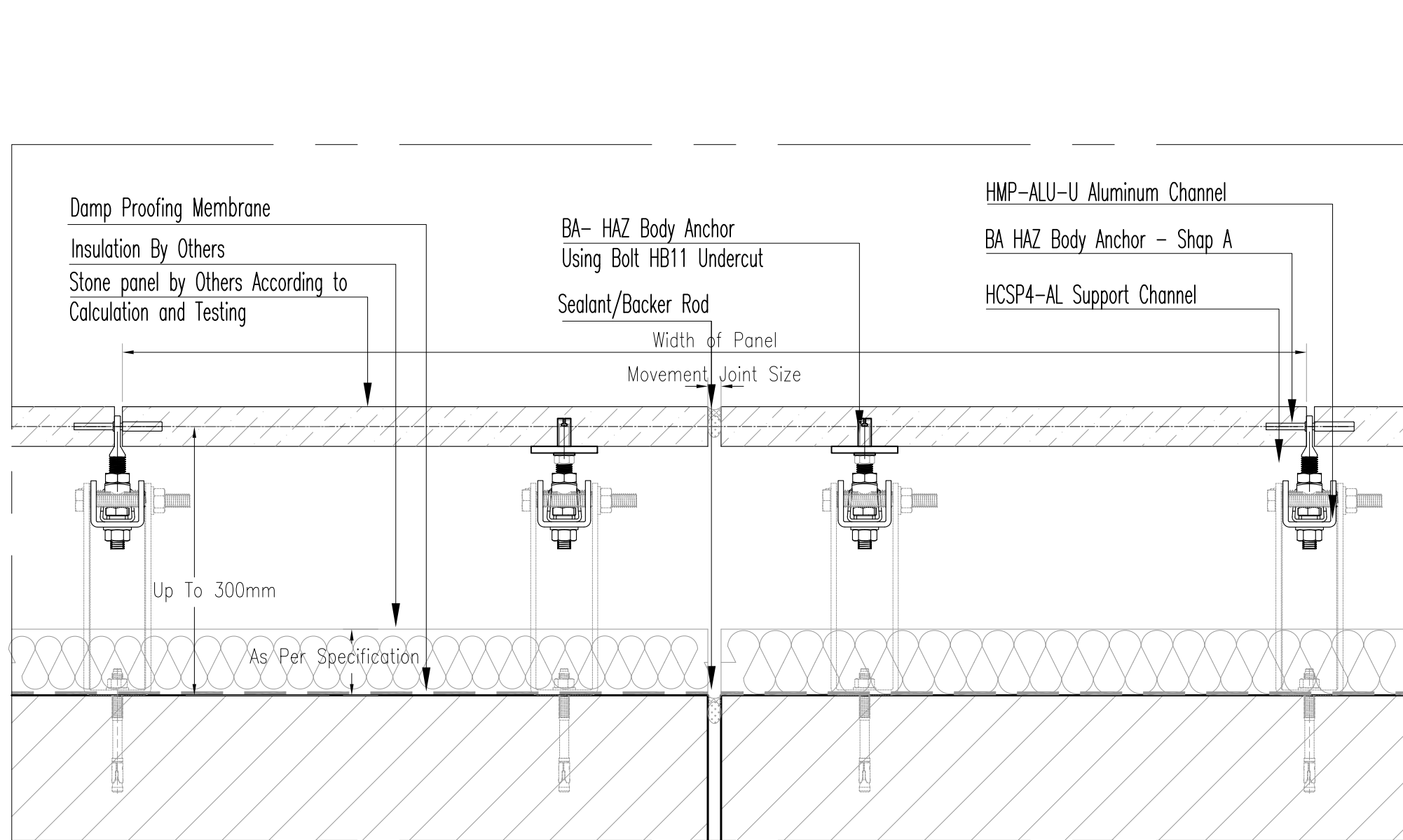


| | | | | | |
|-------------|--|---|-------|----------|----------------|
| Title : | | HMP-ALU-U System - Internal Corner Stone Cladding - Horizontal Section | | | |
| Drawing No. | | HAZCD-HMP-ALU-U-ST-14 | | | |
| Series | | Concept Drawings - Natural Stone Fixing System - HMP-ALU Sub Channel System | | | |
| Revision | | 01 | Scale | As Shown | Paper Size: A3 |
| | | | | | Page : 14/16 |

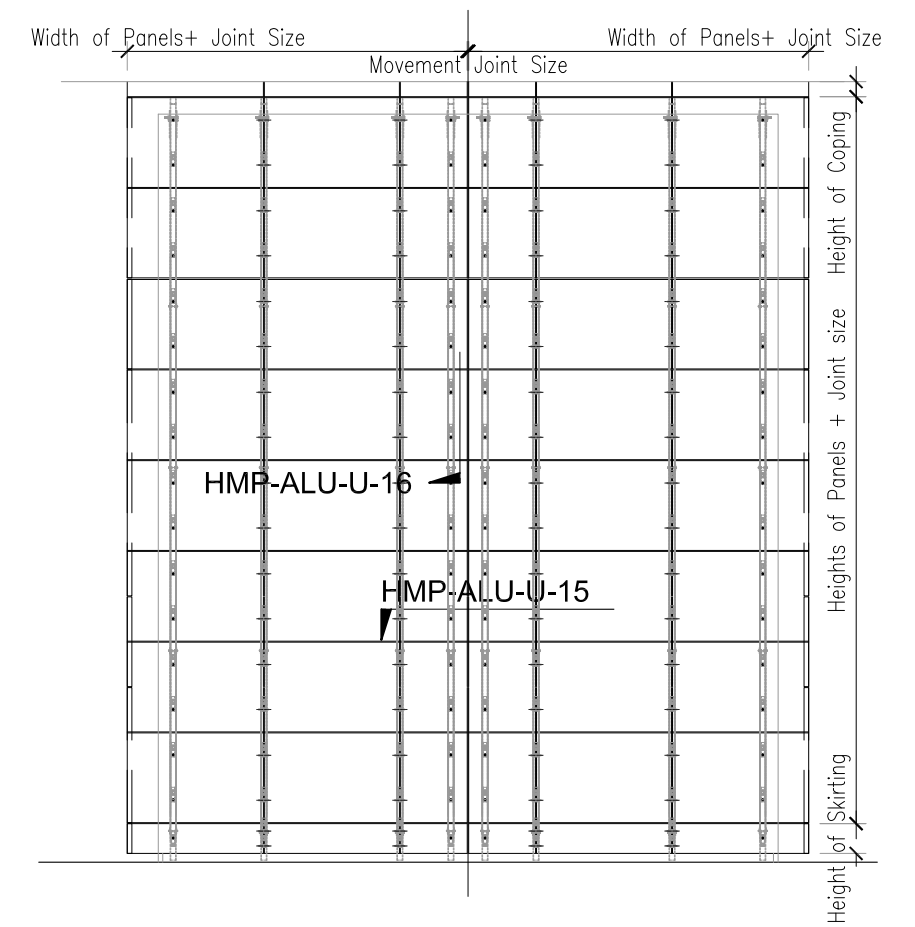
HAZ METAL Sanayi ve Ticaret A.S
 PO Box 241 31200 Iskenderun / Turkey
 Tel: +90 326 6262050 Faks: 6262045
 info@hazmetal.com / www.hazmetal.com.

HMP-ALU-U

SUB CHANNEL SYSTEM



Horizontal section Scale 1:4



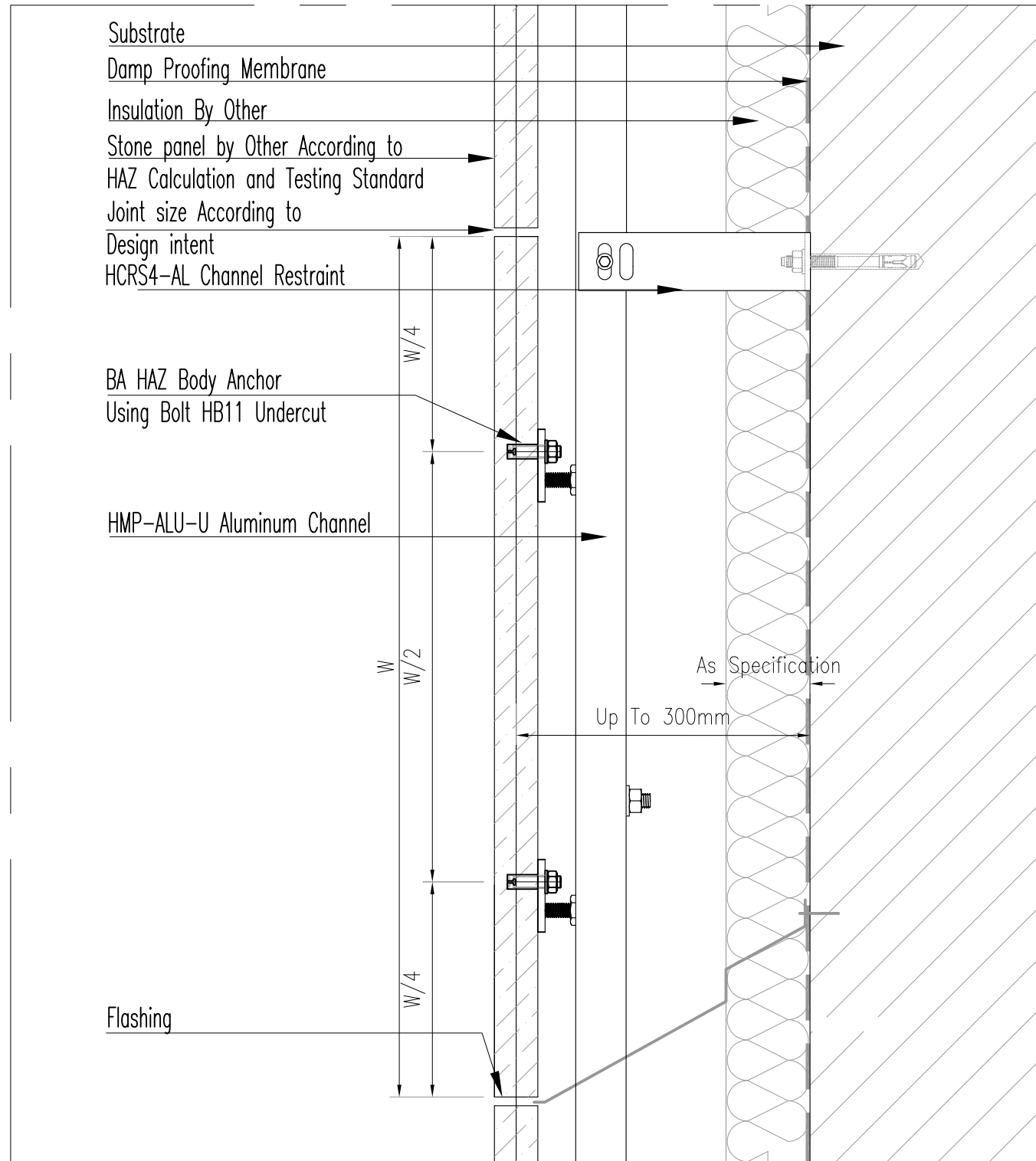
Variation on Typical Elevation
Scale 1:50



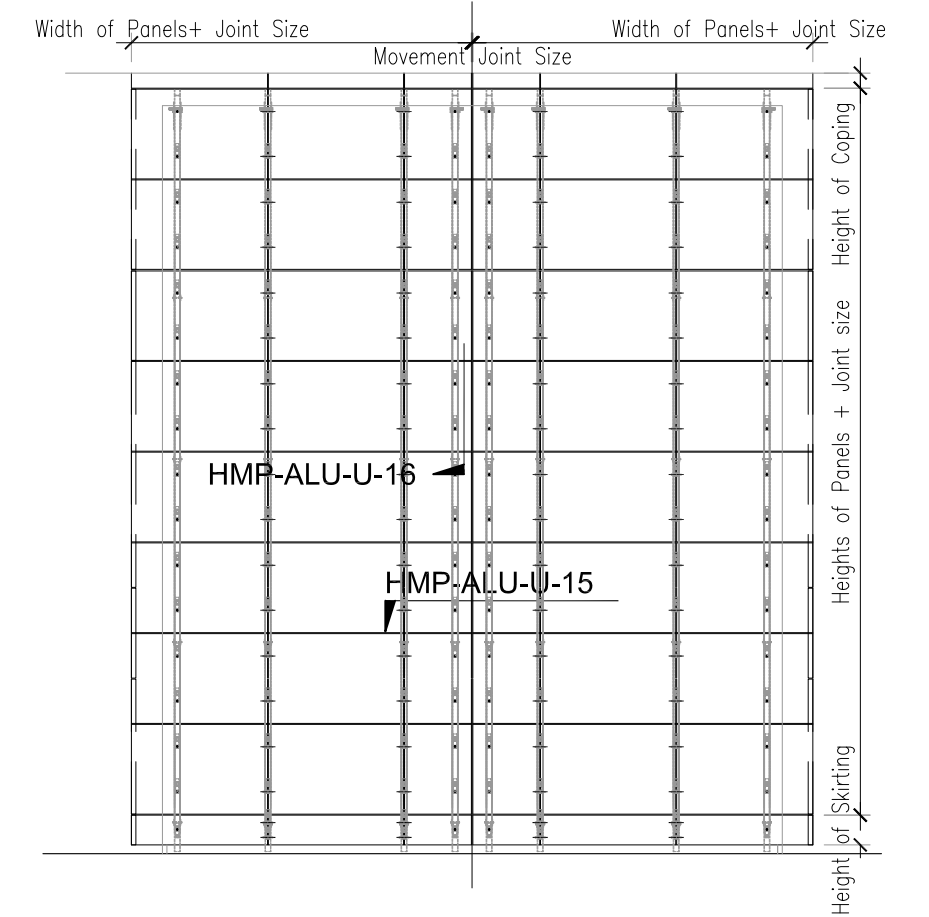
HAZ METAL Sanayi ve Ticaret A.S
PO Box 241 31200 Iskenderun / Turkey
Tel: +90 326 6262050 Faks: 6262045
info@hazmetal.com / www.hazmetal.com.

| | | | | | |
|-------------|---|--|----------|----------------|--------------|
| Title : | | HMP-ALU-U System - Typical Stone Claddings - Movement Joint - Horizontal Section | | | |
| Drawing No. | HAZCD-HMP-ALU-U-ST-15 | | | | |
| Series | Concept Drawings - Natural Stone Fixing System - HMP-ALU Sub Channel System | | | | |
| Revision | 01 | Scale | As Shown | Paper Size: A3 | Page : 15/16 |

HMP-ALU-U SUB CHANNEL SYSTEM



Vertical section Scale 1:4



Variation on Typical Elevation
Scale 1:50



| | | | | | |
|-------------|----|---|----------|----------------|--------------|
| Title : | | HMP-ALU-U System - Typical Stone Claddings -Movement Joint - Vertical Section | | | |
| Drawing No. | | HAZCD-HMP-ALU-U-ST-16 | | | |
| Series | | Concept Drawings - Natural Stone Fixing System - HMP-ALU Sub Channel System | | | |
| Revision | 01 | Scale | As Shown | Paper Size: A3 | Page : 16/16 |

HAZ METAL Sanayi ve Ticaret A.S
PO Box 241 31200 Iskenderun / Turkey
Tel: +90 326 6262050 Faks: 6262045
info@hazmetal.com / www.hazmetal.com.