

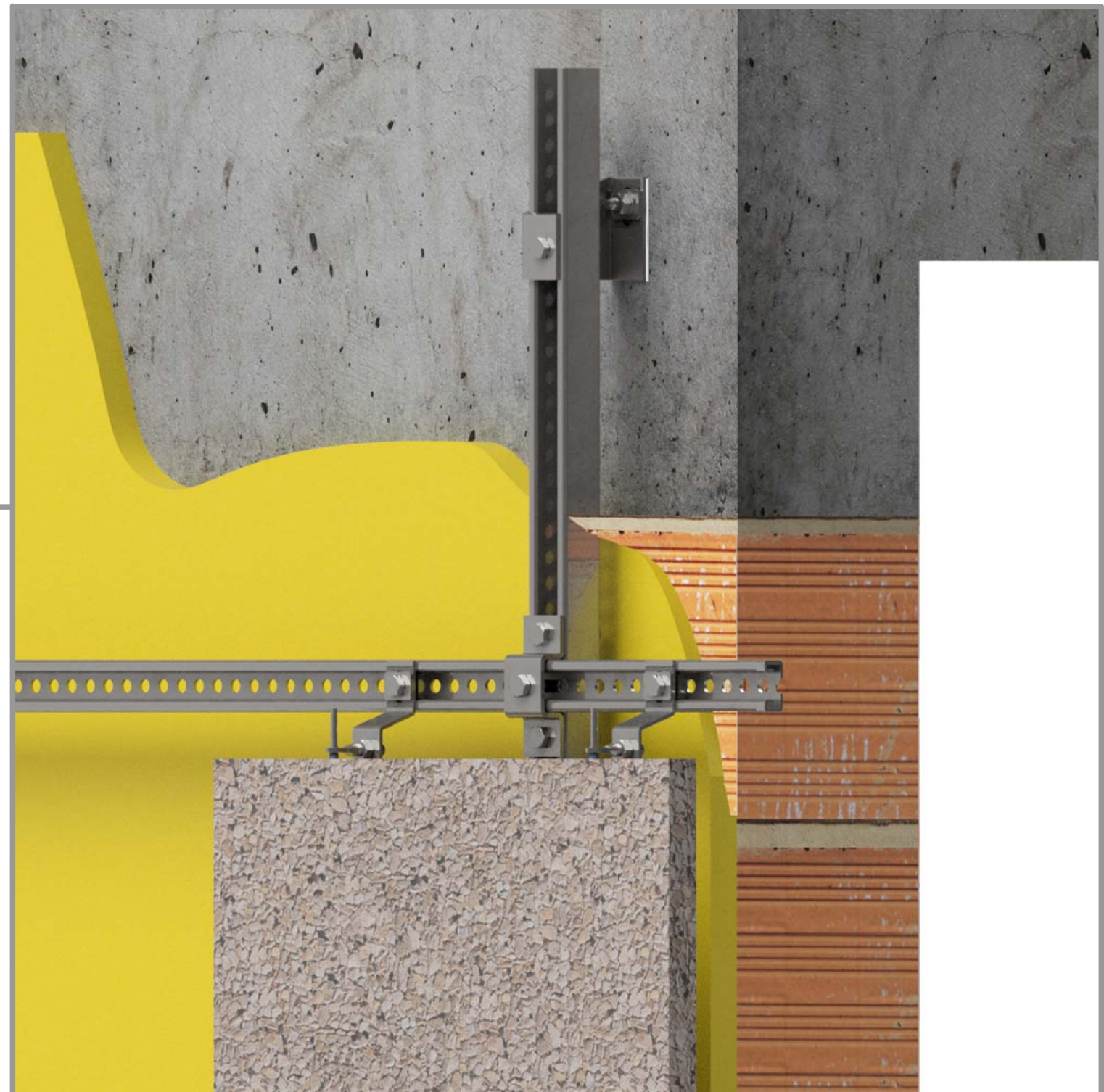
**HAZ METAL**  
FIXING SYSTEMS

# HMPC-HC1-H

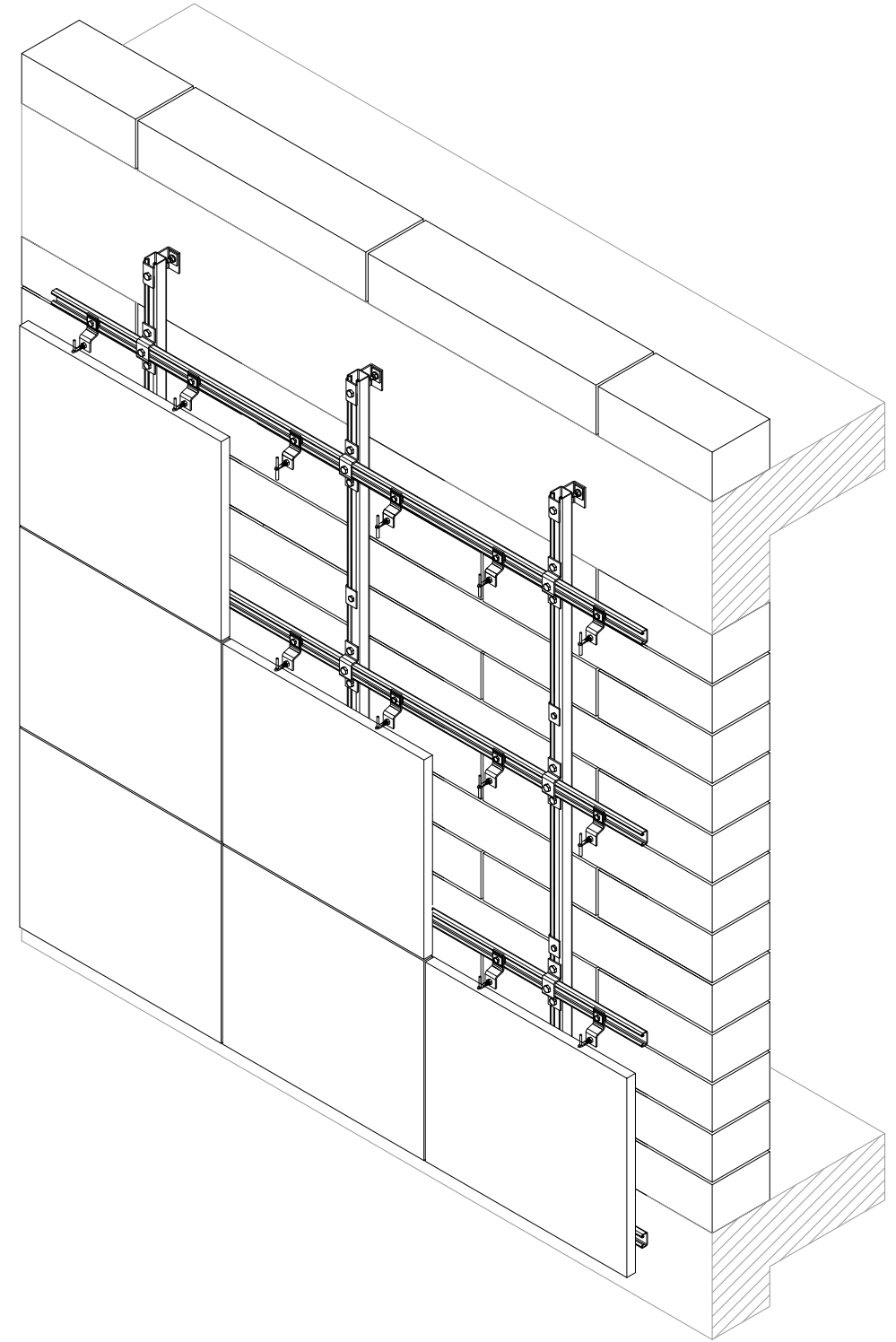
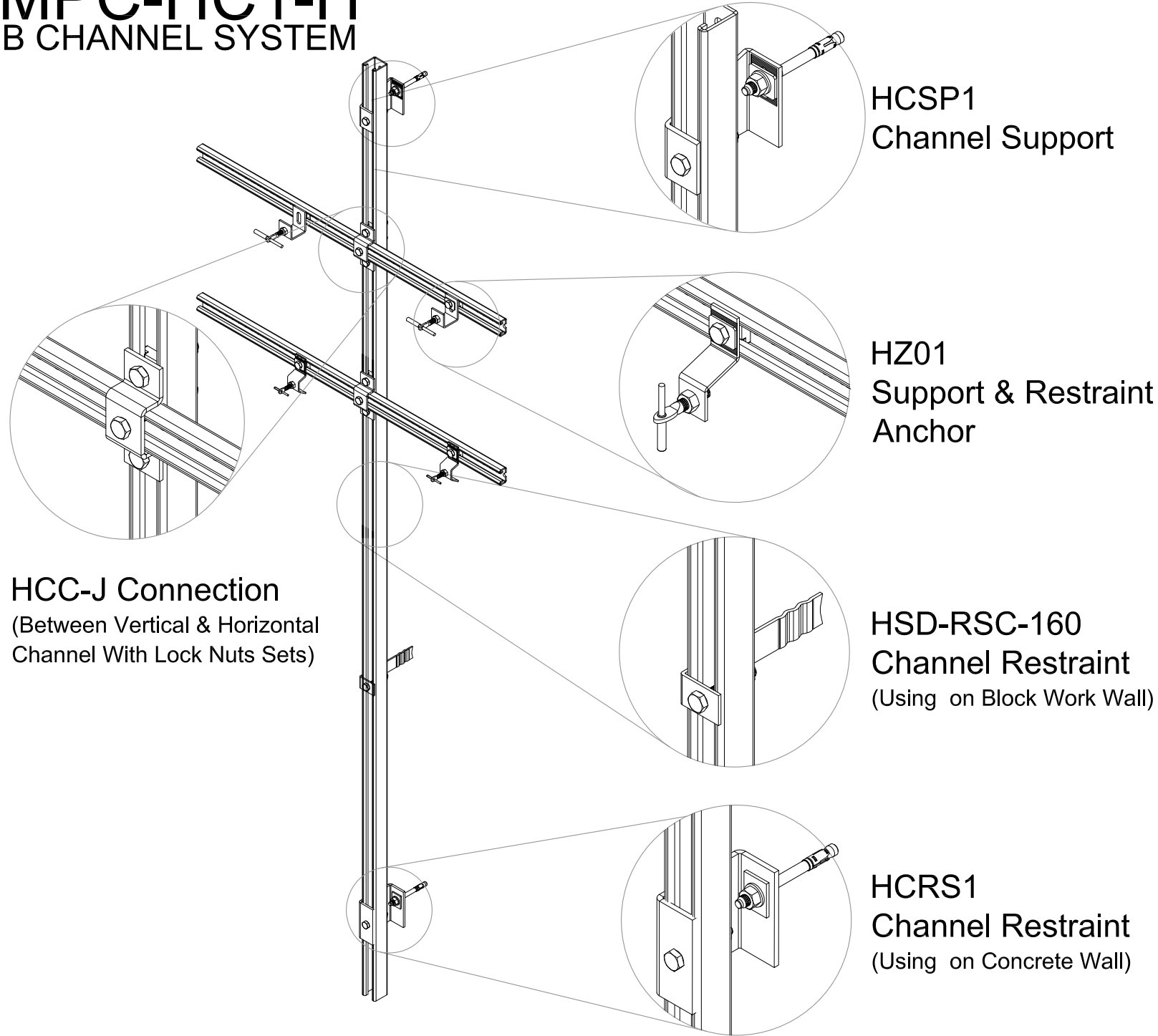
SUB CHANNEL SYSTEM  
**Concept Drawings**

Series: HAZCD-HMPC-HC1-H-ST

Steel Support System For Rain Screen  
Stone Cladding System for Installation at  
Vertical and Horizontal Joints



# HMPC-HC1-H SUB CHANNEL SYSTEM



ISOMETRIC VIEW



HAZ METAL Sanayi ve Ticaret A.S  
PO Box 241 31200 Iskenderun / Turkey  
Tel: +90 326 6262050 Faks: 6262045  
info@hazmetal.com / www.hazmetal.com.

Title : Natural Stone Facade - Built-up Cavity Wall - HMPC-HC1-H Horizontal Joint installation -Isometric

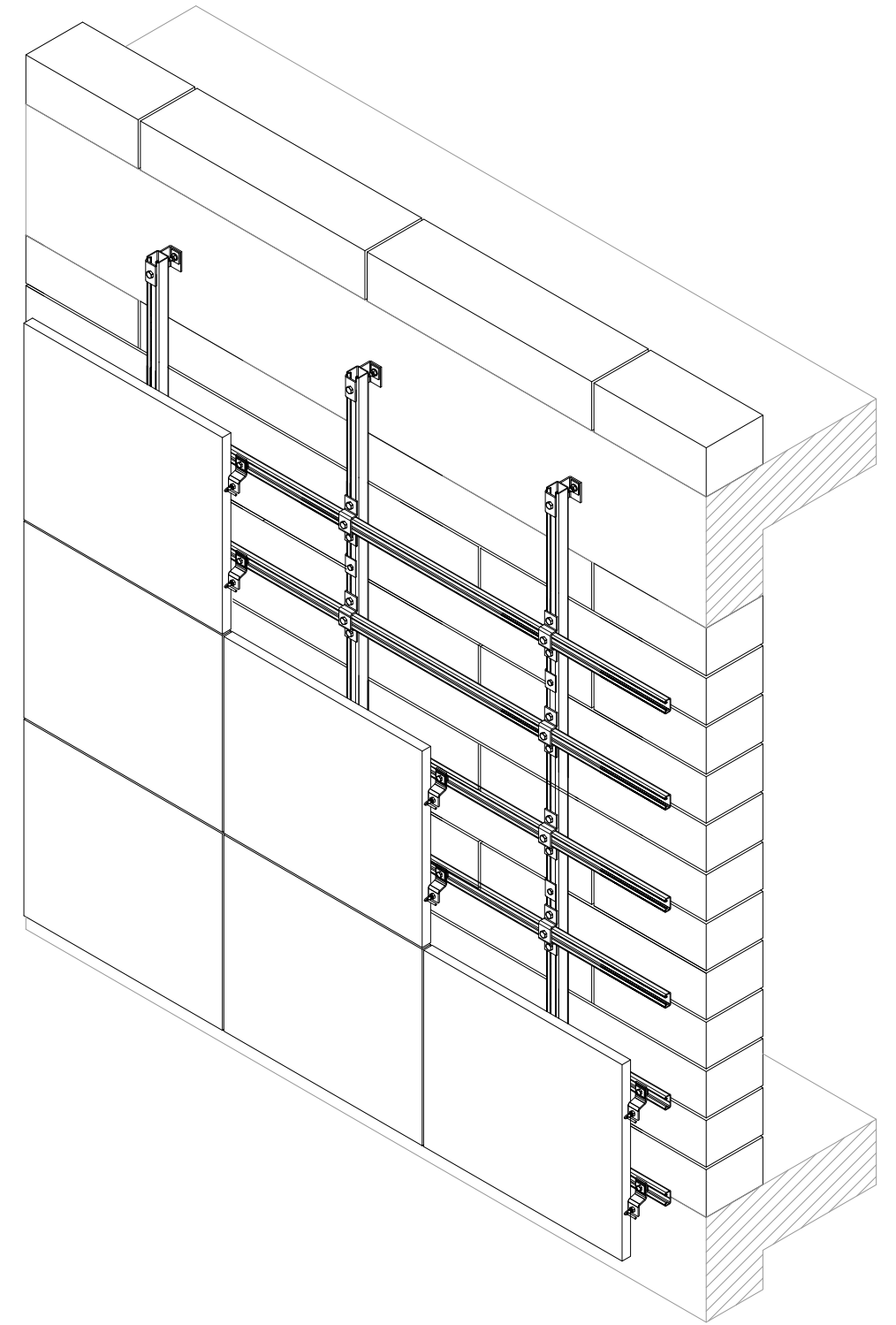
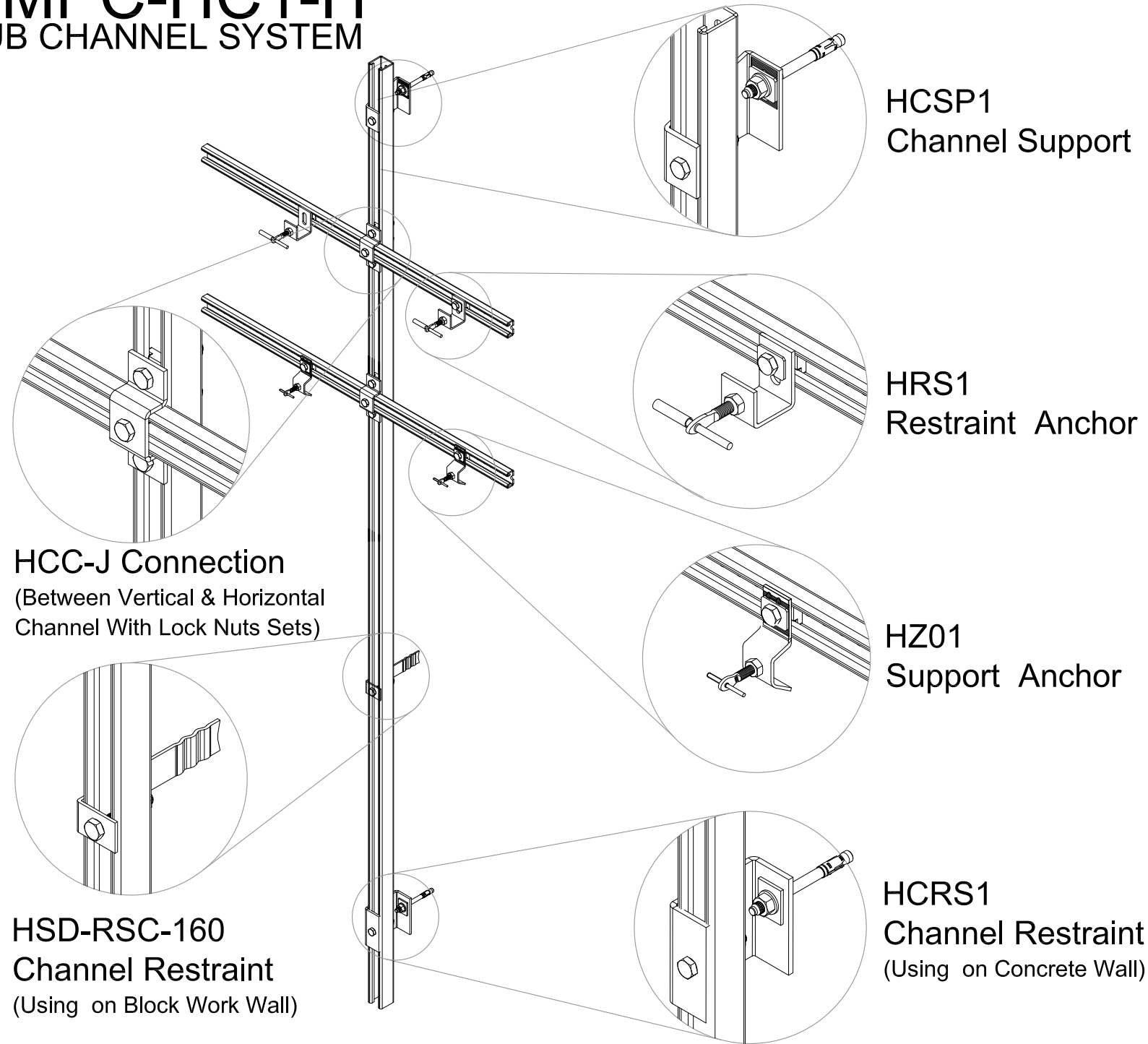
Drawing No. HAZCD-HMPC-HC1-H-ST-01

Series Concept Drawings - Natural Stone Fixing System - HMP Sub Channel System

Revision	01	Scale	As Shown	Paper Size: A3	Page :	1/20
----------	----	-------	----------	----------------	--------	------



# HMPC-HC1-H SUB CHANNEL SYSTEM



ISOMETRIC VIEW



HAZ METAL Sanayi ve Ticaret A.S  
PO Box 241 31200 Iskenderun / Turkey  
Tel: +90 326 6262050 Faks: 6262045  
info@hazmetal.com / www.hazmetal.com.

Title : Natural Stone Facade - Built-up Cavity Wall - HMPC-HC1-H Vertical Joint installation -Isometric

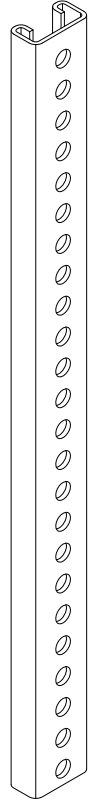
Drawing No. HAZCD-HMPC-HC1-H-ST-02

Series Concept Drawings - Natural Stone Fixing System - HMP Sub Channel System

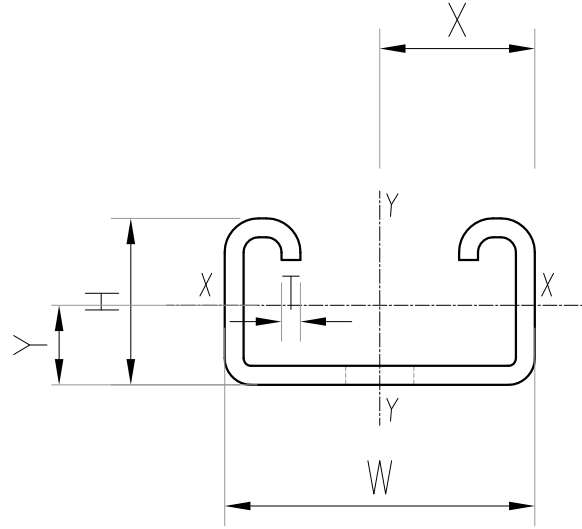
Revision	01	Scale	As Shown	Paper Size: A3	Page :	2/20
----------	----	-------	----------	----------------	--------	------

# HMPC

## SUB CHANNEL SYSTEM



ISOMETRIC VIEW



Horizontal Section

Product Code	Technical Details								
	Dimensions			X-X Axis			Y-Y Axis		
	Thickness T(mm)	Width W(mm)	Height H(mm)	IXX (cm <sup>4</sup> )	ZX (cm <sup>3</sup> )	X (mm)	IYY (cm <sup>4</sup> )	ZY (cm <sup>3</sup> )	Y (mm)
HMPC-2.5-41/22	2.50	41.00	22.00	1.25	0.99	20.50	5.60	2.72	8.16
HMPC-2.5-41/41	2.50	41.00	41.00	7.92	3.62	20.50	9.40	4.58	19.02
HMPC-3-41/22	3.00	41.00	22.00	1.69	1.43	20.50	6.94	3.40	9.16
HMPC-3-41/41	3.00	41.00	41.00	9.40	4.20	20.50	11.30	5.50	18.80

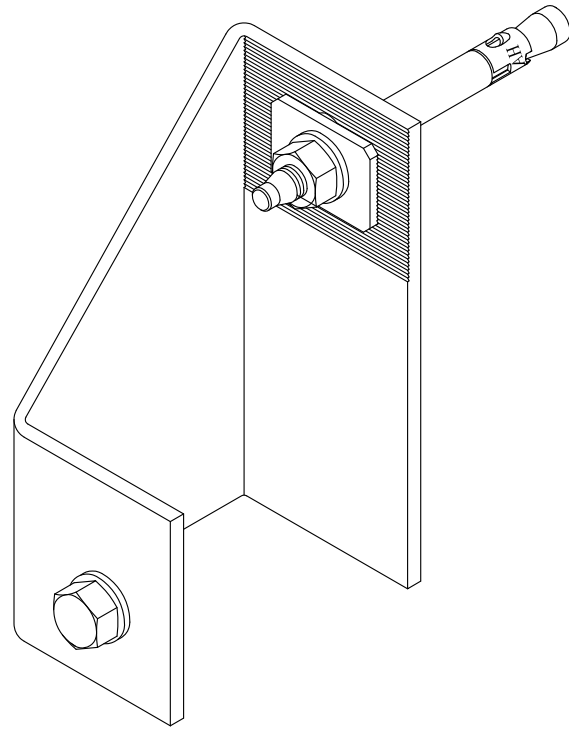


HAZ METAL Sanayi ve Ticaret A.S  
 PO Box 241 31200 Iskenderun / Turkey  
 Tel: +90 326 6262050 Faks: 6262045  
 info@hazmetal.com / www.hazmetal.com.

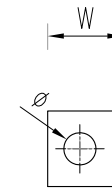
Title :	Natural Stone Facade - Built-up Cavity Wall - HMPC Specification				
Drawing No.	HAZCD-HMPC-HC1-H-ST-03				
Series	Concept Drawings - Natural Stone Fixing System - HMP Sub Channel System				
Revision	01	Scale	As Shown	Paper Size: A3	Page : 3/20

# HCSP1

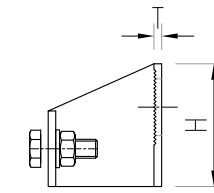
Channel Support



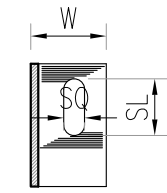
ISOMETRIC VIEW



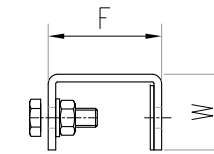
Elevation View



Side View



Elevation View



Plan View

Product Code	Technical Details						
	Thickness T(mm)	Width W(mm)	Height H(mm)	Forming F (mm)	Slot Hole Dia. S Ø(mm)	Slot Hole length SL(mm)	Hole Dia. Ø(mm)
HCSP1-40	4	40	80	40	11	30	11
HCSP1-60	4	40	90	60	11	30	11
HCSP1-80	5	45	100	80	11	30	11
HCSP1-100	5	45	100	100	11	30	11
HCSP1-120	6	50	100	120	11	30	11
HCSP1-140	6	50	100	140	11	30	11
HCSP1-160	6	50	115	160	11	30	11
HCSP1-180	6	55	115	180	11	30	11
HCSP1-200	6	55	120	200	11	30	11

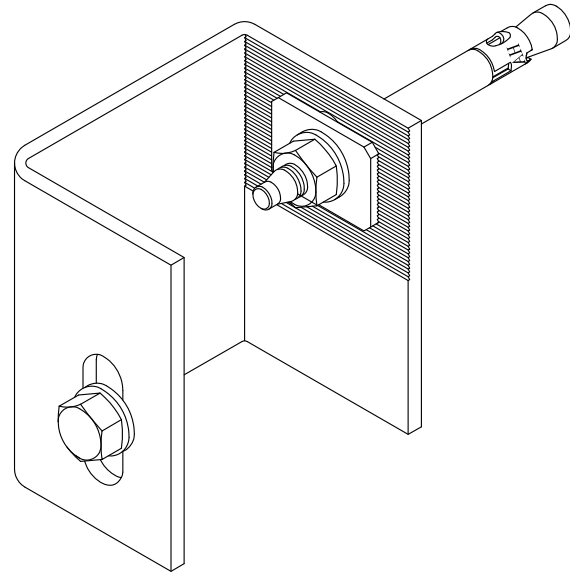


HAZ METAL Sanayi ve Ticaret A.S  
 PO Box 241 31200 Iskenderun / Turkey  
 Tel: +90 326 6262050 Faks: 6262045  
 info@hazmetal.com / www.hazmetal.com.

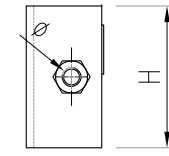
Title :		Natural Stone Facade - Built-up Cavity Wall - HMPC-HC1-H System - HCSP1 Specification					
Drawing No.	HAZCD-HMPC-HC1-H-ST-04						
Series	Concept Drawings - Natural Stone Fixing System - HMP Sub Channel System						
Revision	01	Scale	As Shown	Paper Size:	A3	Page :	4/20

# HSD-RSC

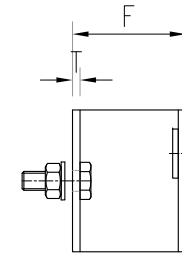
Channel Support



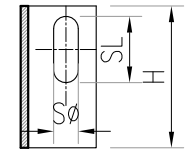
ISOMETRIC VIEW



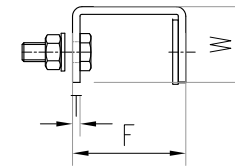
Elevation View



Side View



Elevation View



Plan View

Product Code	Technical Details						
	Thickness T(mm)	Width W(mm)	Height H(mm)	Forming F (mm)	Slot Hole Dia. S Ø(mm)	Slot Hole length SL(mm)	Hole Dia. Ø(mm)
HSD-RSC-160-40	2	40	60	40	9	30	9
HSD-RSC-160-60	2	40	60	60	9	30	9
HSD-RSC-160-80	3	45	80	80	9	30	9
HSD-RSC-160-100	3	45	80	100	9	30	9
HSD-RSC-160-120	4	50	100	120	9	30	9
HSD-RSC-160-140	4	50	100	140	9	30	9
HSD-RSC-160-160	4	50	100	160	9	30	9
HSD-RSC-160-180	4	50	100	180	9	30	9
HSD-RSC-160-200	4	50	100	200	9	30	9

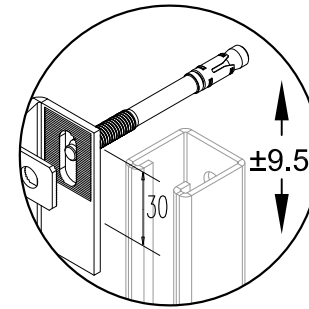
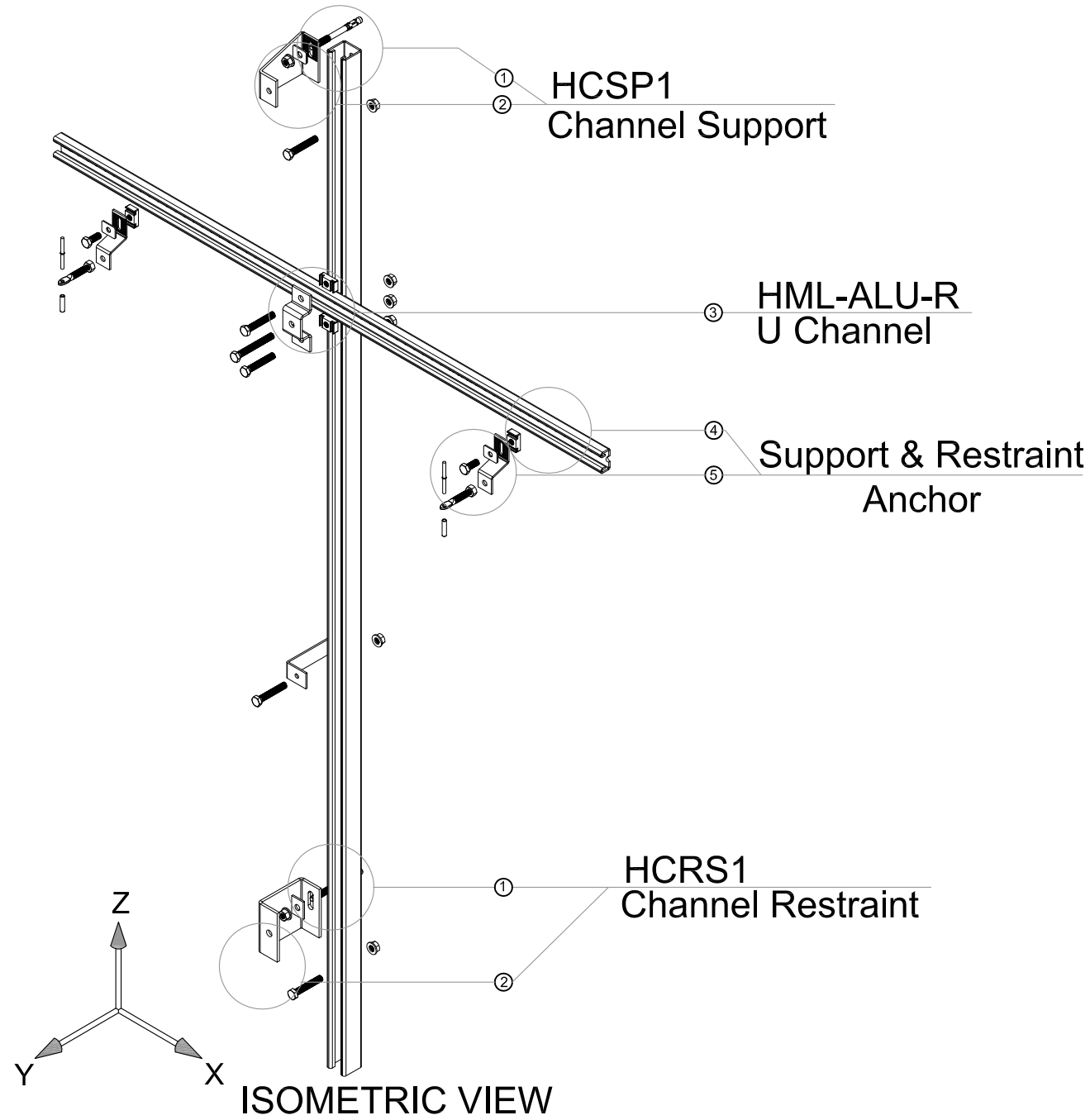


HAZ METAL Sanayi ve Ticaret A.S  
 PO Box 241 31200 Iskenderun / Turkey  
 Tel: +90 326 6262050 Faks: 6262045  
 info@hazmetal.com / www.hazmetal.com.

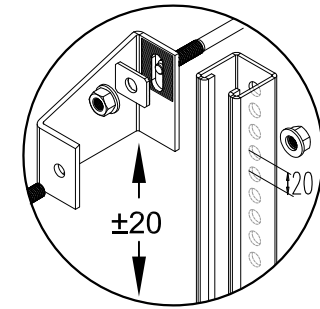
Title Natural Stone Facade - Built-up Cavity Wall - HMPC-HC1-H System- HSD-RSC-160 Specification							
Drawing No.		HAZCD-HMPC-HC1-H-ST-05					
Series		Concept Drawings - Natural Stone Fixing System - HMP Sub Channel System					
Revision		01	Scale		As Shown	Paper Size: A3	Page : 5/20

# HMPC-HC1-H

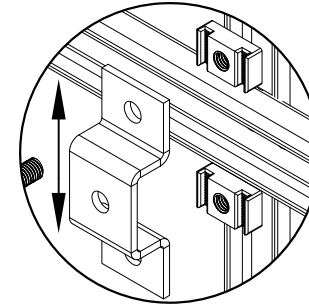
## SUB CHANNEL SYSTEM



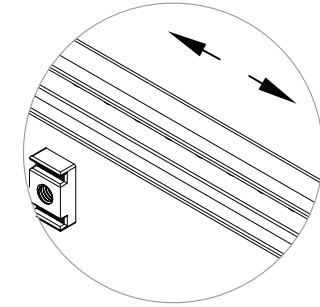
① The Adjustability on the Z axis is Provided by Slotted hole  $\pm 9.5$  mm .



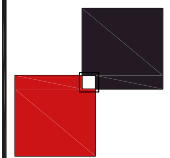
② Adjustment of the anchor Up and Down on the Z Axis is provided by Holes in 20 mm increment.



③ Adjustment of the Horizontal Channel Up and Down on the Z Axis is provided by sliding the Channel connection using t bolt.



④ Adjustment of the Anchor Left and Right on the X Axis is provided by Sliding the Body Anchor along Horizontal Channel .



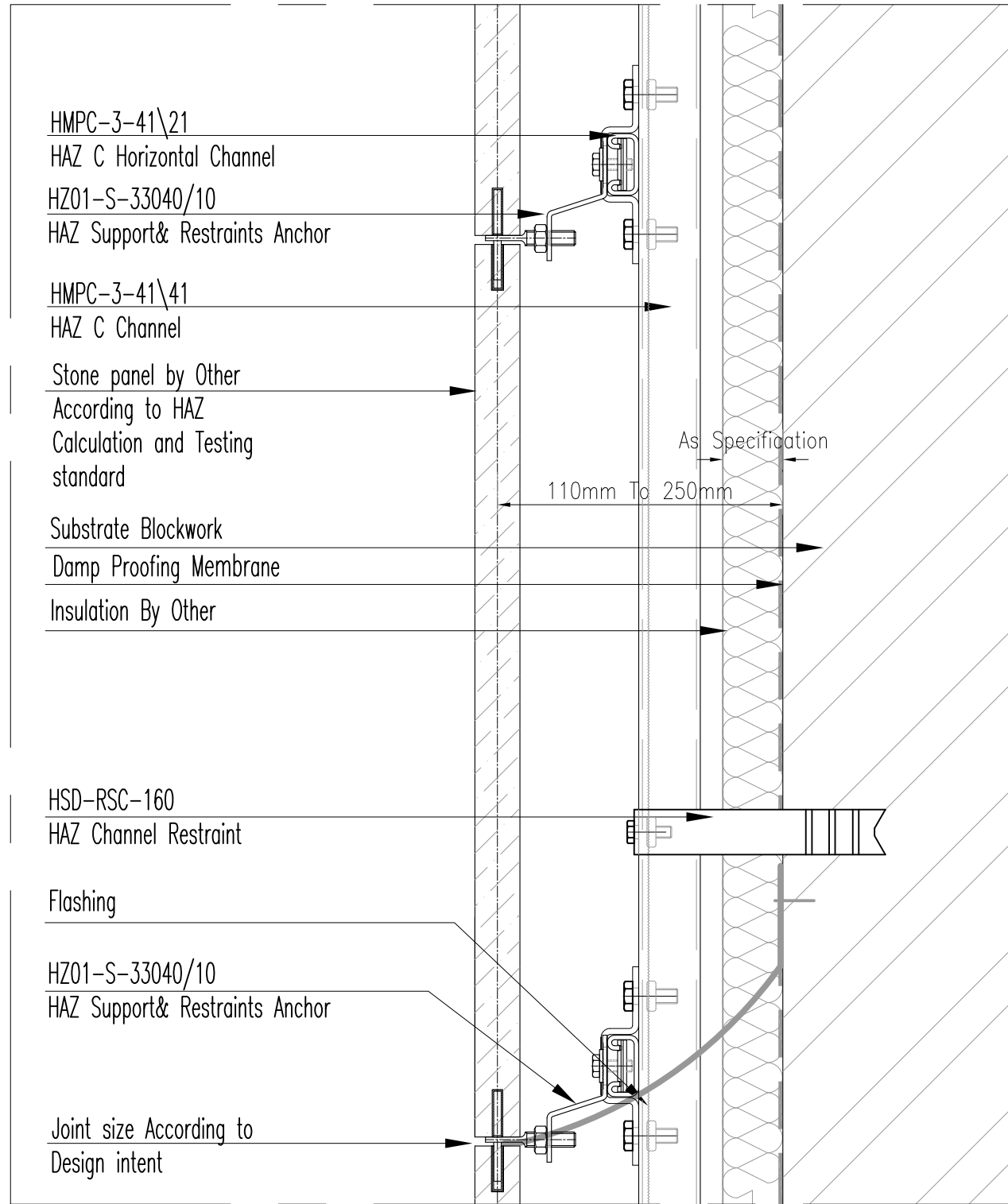
**HAZ METAL**  
**FIXING SYSTEMS**

HAZ METAL Sanayi ve Ticaret A.S  
PO Box 241 31200 Iskenderun / Turkey  
Tel: +90 326 6262050 Faks: 6262045  
info@hazmetal.com / www.hazmetal.com.

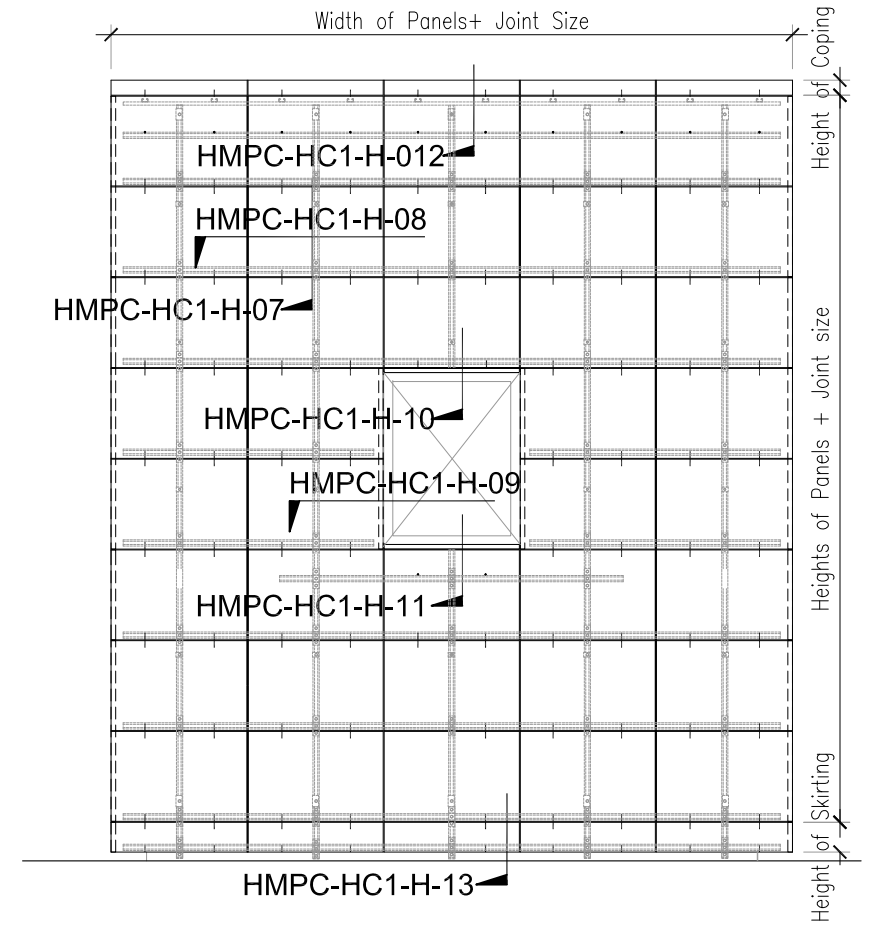
Title :		Natural Stone Facade - Built-up Cavity Wall - HMPC-HC1-H System- Adjustability			
Drawing No.		HAZCD-HMPC-HC1-H-ST-06			
Series		Concept Drawings - Natural Stone Fixing System - HMP Sub Channel System			
Revision	01	Scale	As Shown	Paper Size: A3	Page : 6/20



# HMPC-HC1-H SUB CHANNEL SYSTEM



Vertical section Scale 1:4



Elevation Scale 1:50

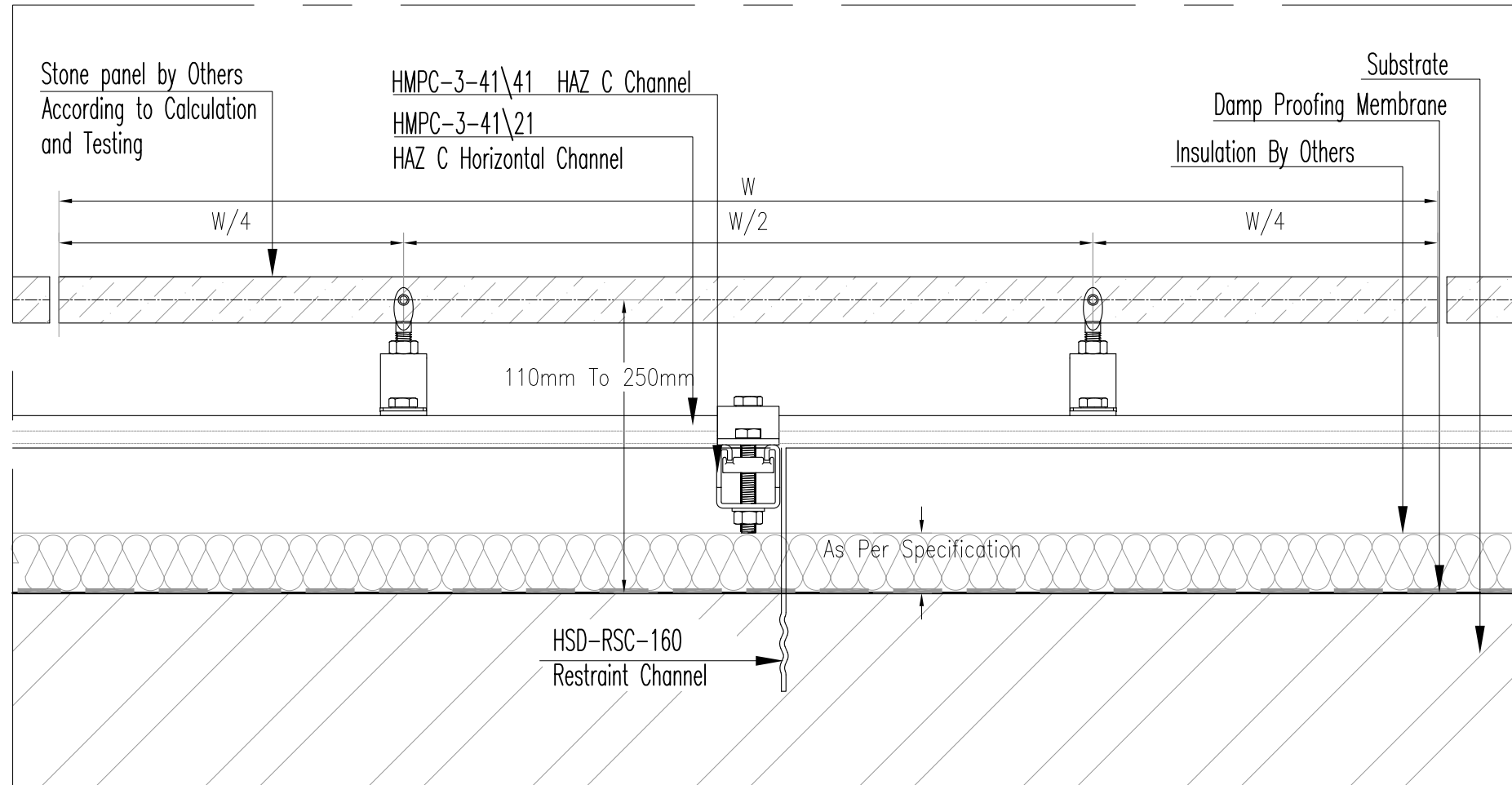


Title :		Horizontal Joint Installation - Typical Stone Claddings - HMPC-HC1-H System - Vertical Section				
Drawing No.		HAZCD-HMPC-HC1-H-ST-07				
Series		Concept Drawings - Natural Stone Fixing System - HMP Sub Channel System				
Revision		01	Scale	As Shown	Paper Size: A3	Page : 7/20

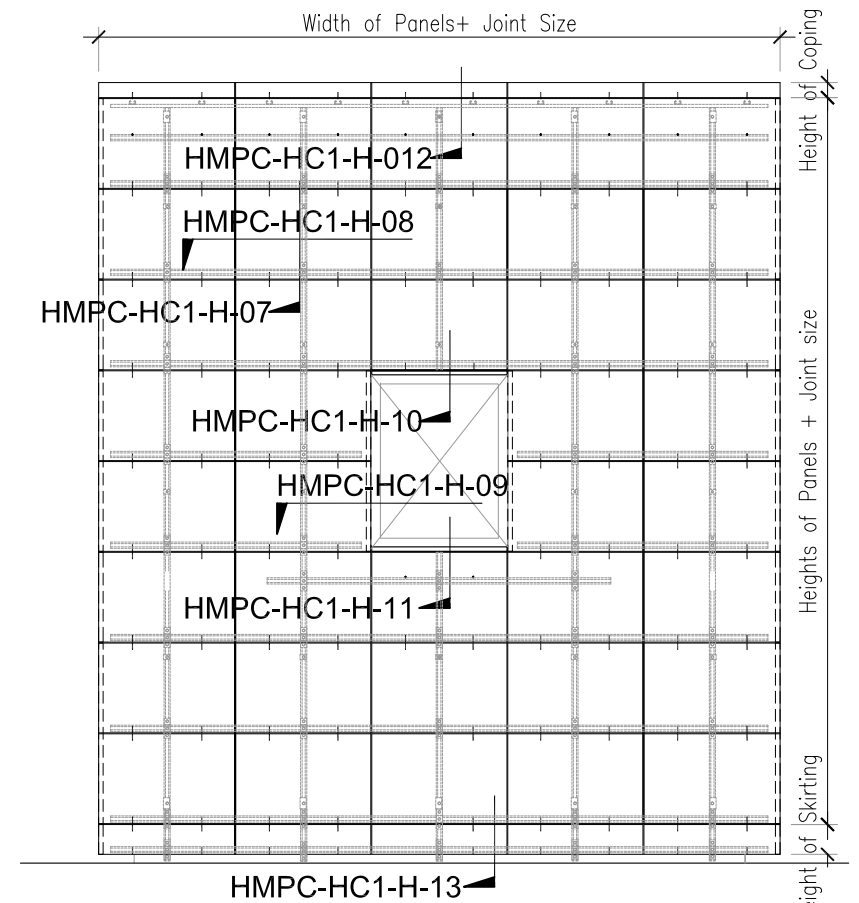
HAZ METAL Sanayi ve Ticaret A.S  
PO Box 241 31200 Iskenderun / Turkey  
Tel: +90 326 6262050 Faks: 6262045  
info@hazmetal.com / www.hazmetal.com.



# HMPC-HC1-H SUB CHANNEL SYSTEM



Horizontal section Scale 1:4



Elevation Scale 1:50

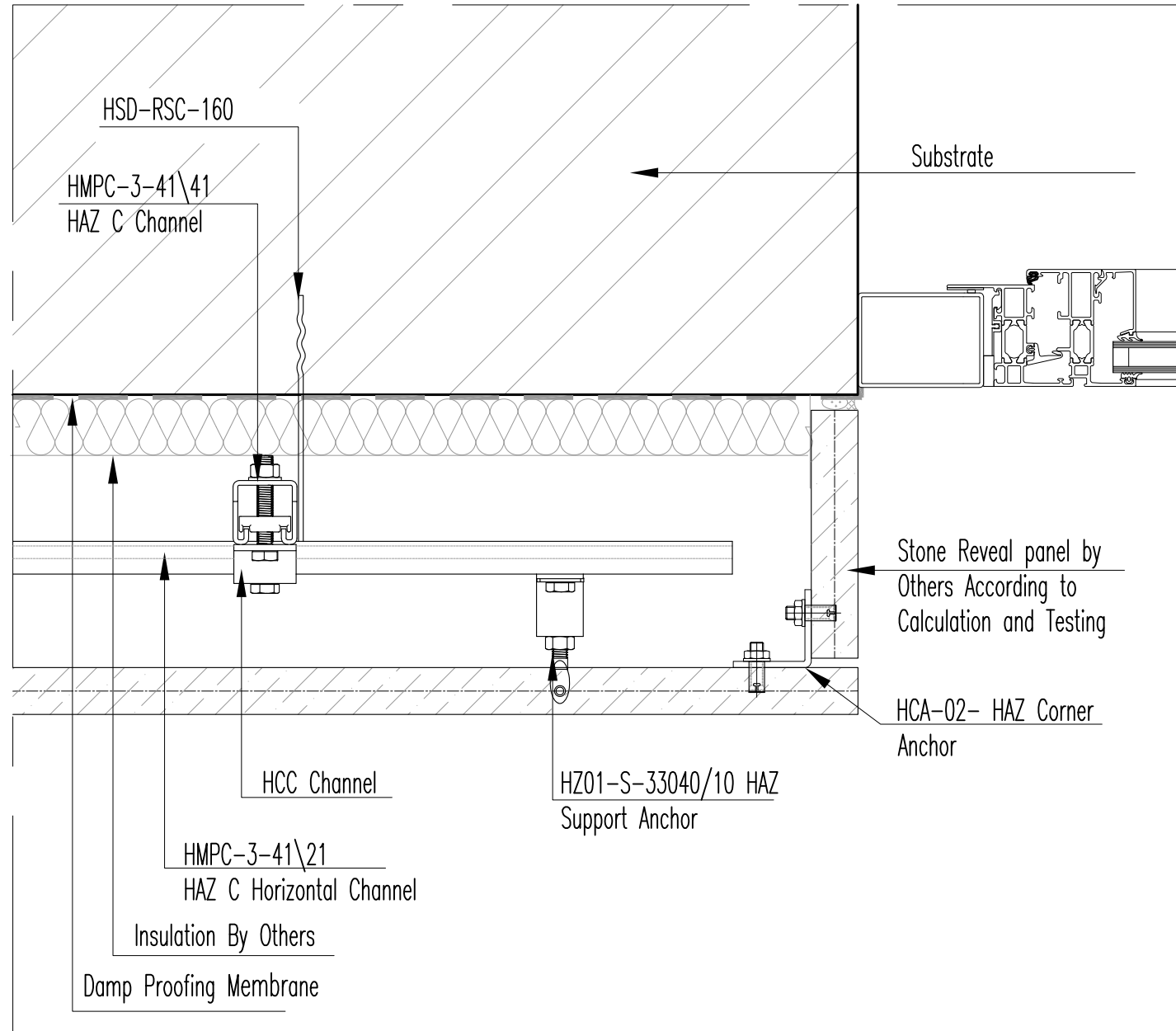


Title :		Vertical Joint Installation - Typical Stone Claddings - HMPC-HC1-H System - Horizontal Section				
Drawing No.		HAZCD-HMPC-HC1-H-ST-08				
Series		Concept Drawings - Natural Stone Fixing System - HMP Sub Channel System				
Revision		01	Scale	As Shown	Paper Size: A3	Page : 8/20

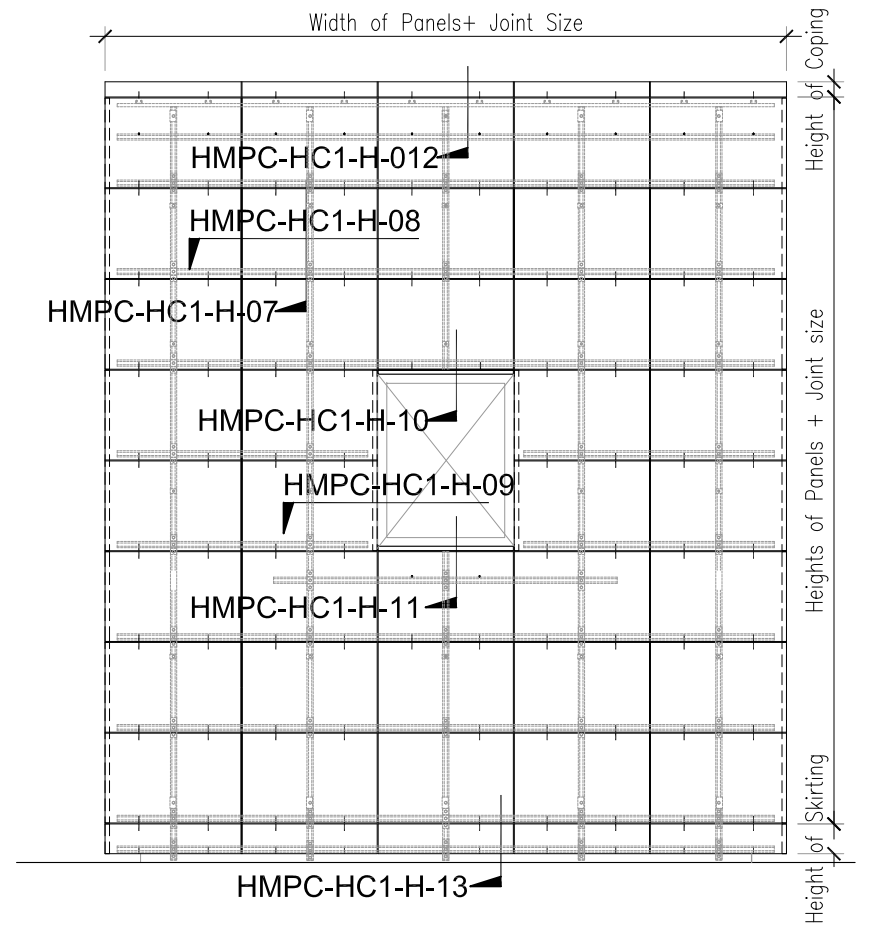
HAZ METAL Sanayi ve Ticaret A.S  
PO Box 241 31200 Iskenderun / Turkey  
Tel: +90 326 6262050 Faks: 6262045  
info@hazmetal.com / www.hazmetal.com.

# HMPC-HC1-H

## SUB CHANNEL SYSTEM



Horizontal section Scale 1:4



Elevation Scale 1:50

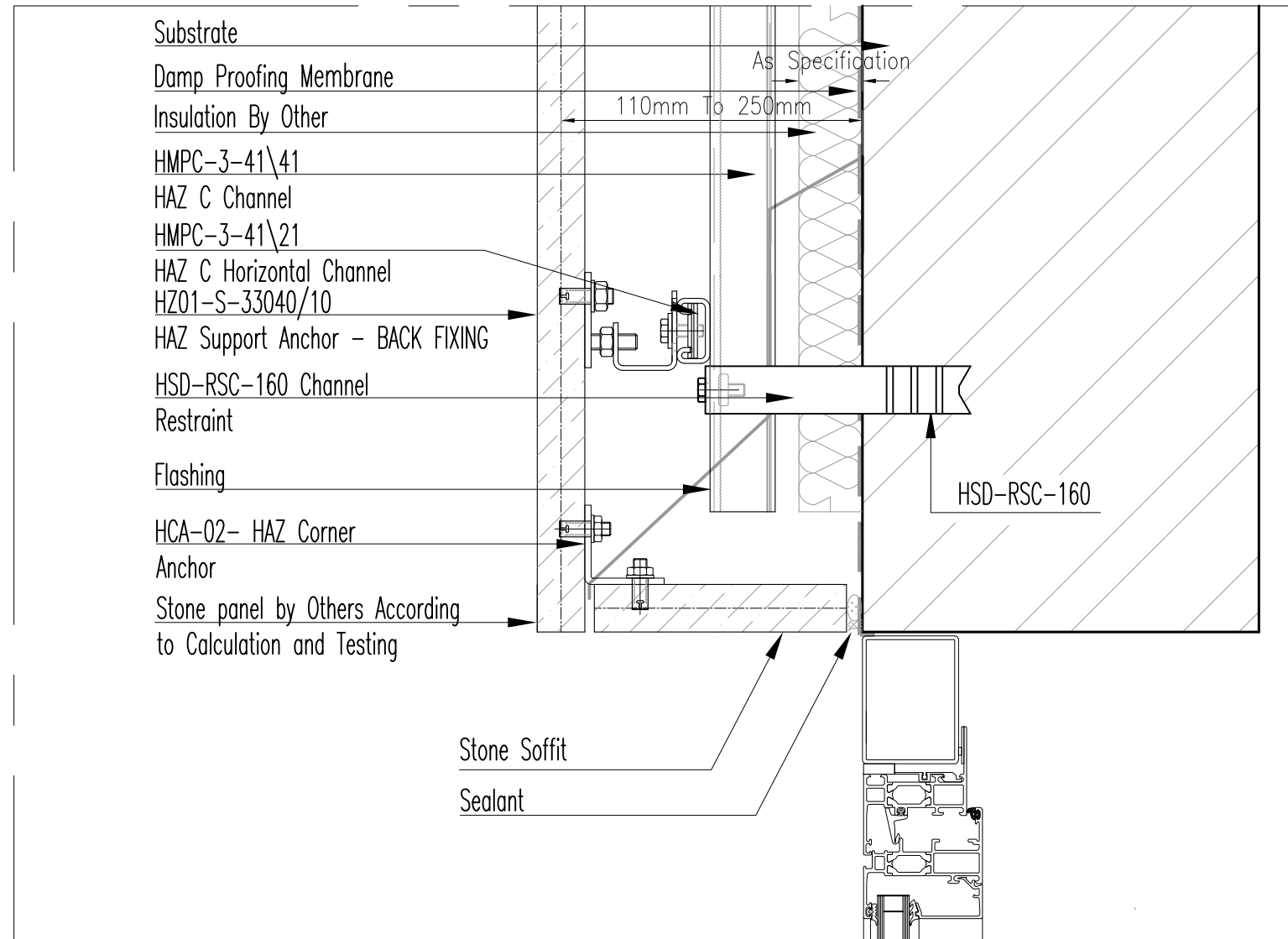


Title :		Horizontal Joint Installation - Stone Reveal - Horizontal Section			
Drawing No.		HAZCD-HMPC-HC1-H-ST-09			
Series		Concept Drawings - Natural Stone Fixing System - HMP Sub Channel System			
Revision		01	Scale	As Shown	Paper Size: A3
					Page : 9/20

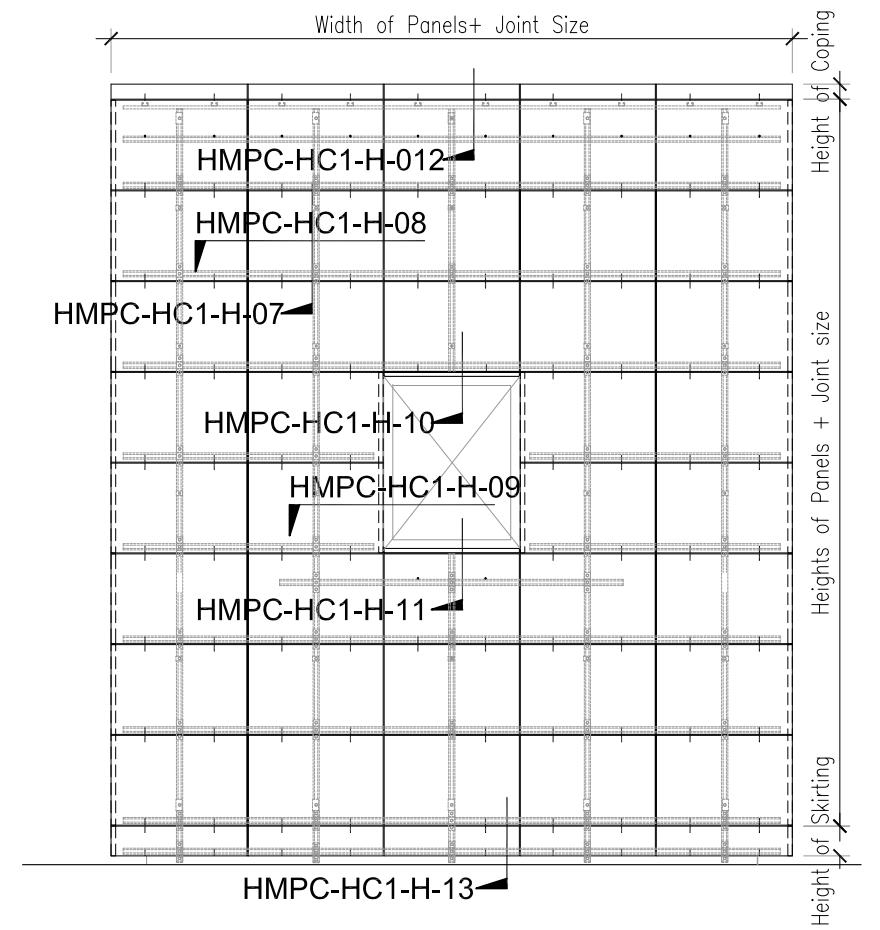
HAZ METAL Sanayi ve Ticaret A.S  
 PO Box 241 31200 Iskenderun / Turkey  
 Tel: +90 326 6262050 Faks: 6262045  
 info@hazmetal.com / www.hazmetal.com.

# HMPC-HC1-H

## SUB CHANNEL SYSTEM



Vertical section Scale 1:4



Elevation Scale 1:50

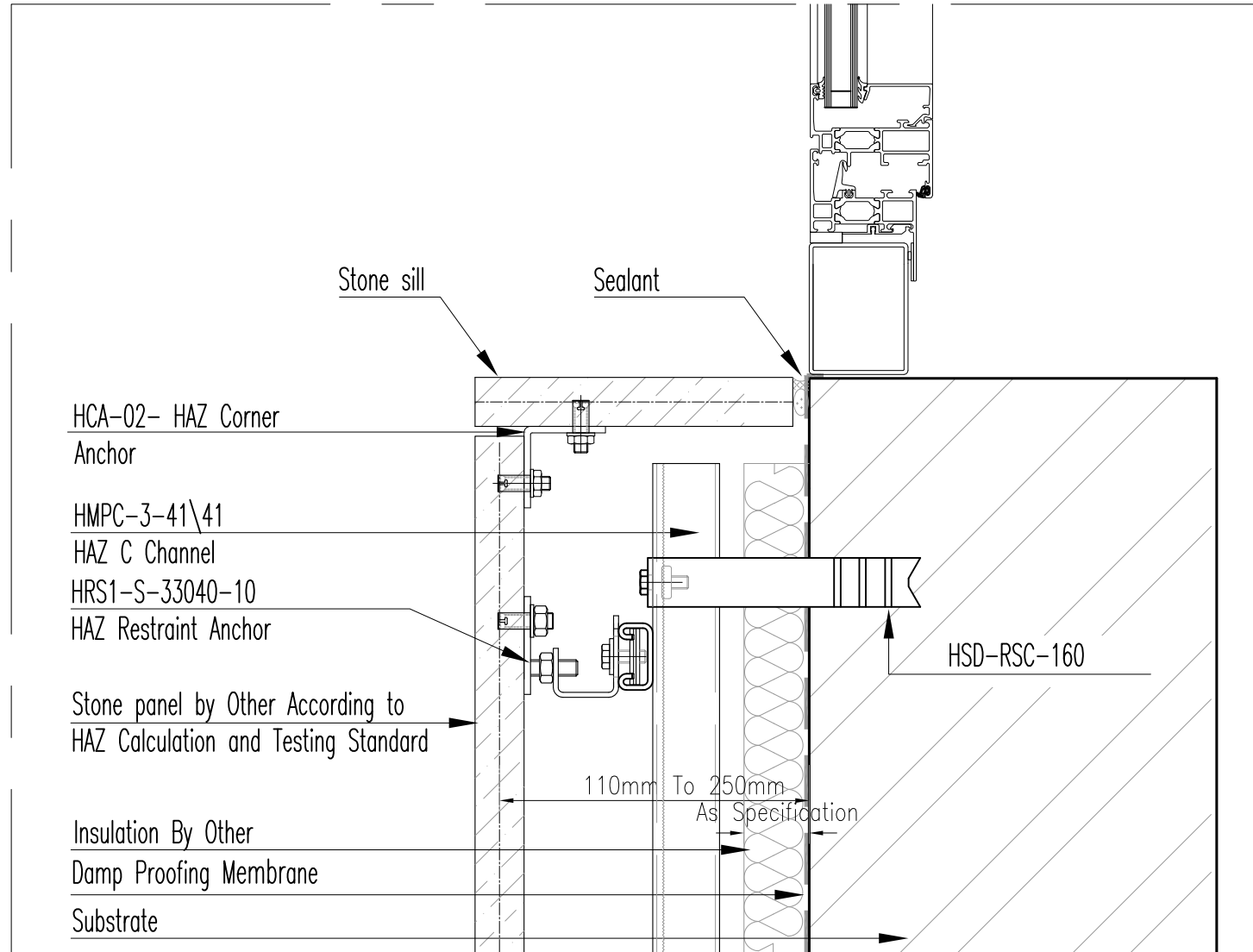


Title :		Vertical Joint Installation - Stone Soffit - Vertical Section			
Drawing No.		HAZCD-HMPC-HC1-H-ST-10			
Series		Concept Drawings - Natural Stone Fixing System - HMP Sub Channel System			
Revision	01	Scale	As Shown	Paper Size: A3	Page : 10/20

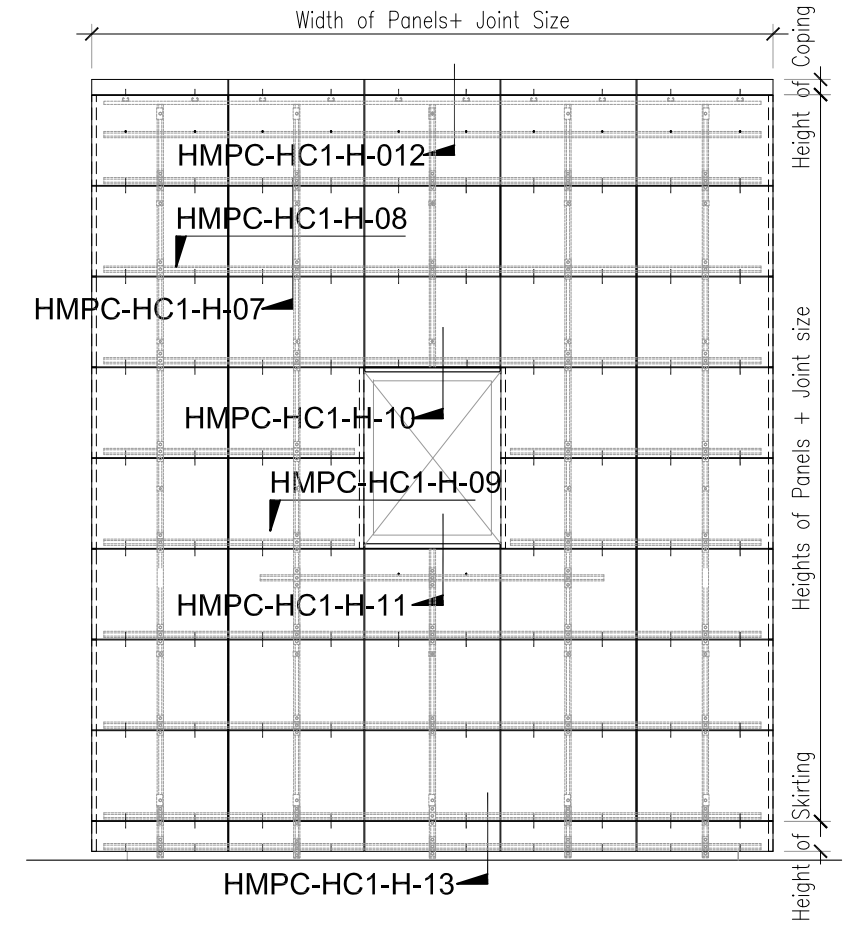
HAZ METAL Sanayi ve Ticaret A.S  
 PO Box 241 31200 Iskenderun / Turkey  
 Tel: +90 326 6262050 Faks: 6262045  
 info@hazmetal.com / www.hazmetal.com.

# HMPC-HC1-H

## SUB CHANNEL SYSTEM



Vertical section Scale 1:4



Elevation Scale 1:50



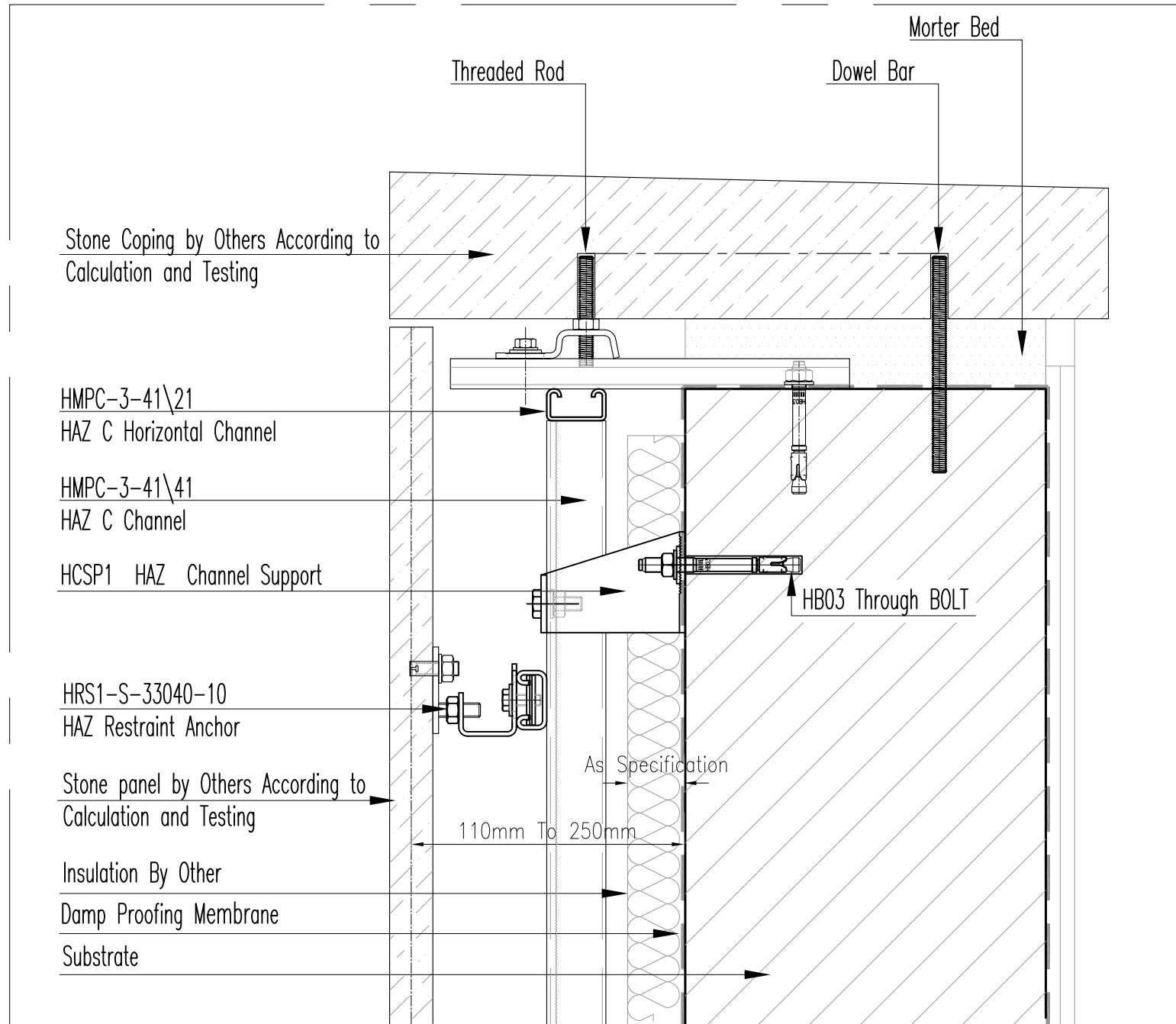
Title :		Vertical Joint Installation - Stone Sill - Vertical Section			
Drawing No.		HAZCD-HMPC-HC1-H-ST-11			
Series		Concept Drawings - Natural Stone Fixing System - HMP Sub Channel System			
Revision		01	Scale	As Shown	Paper Size: A3
					Page : 11/20

HAZ METAL Sanayi ve Ticaret A.S  
 PO Box 241 31200 Iskenderun / Turkey  
 Tel: +90 326 6262050 Faks: 6262045  
 info@hazmetal.com / www.hazmetal.com.

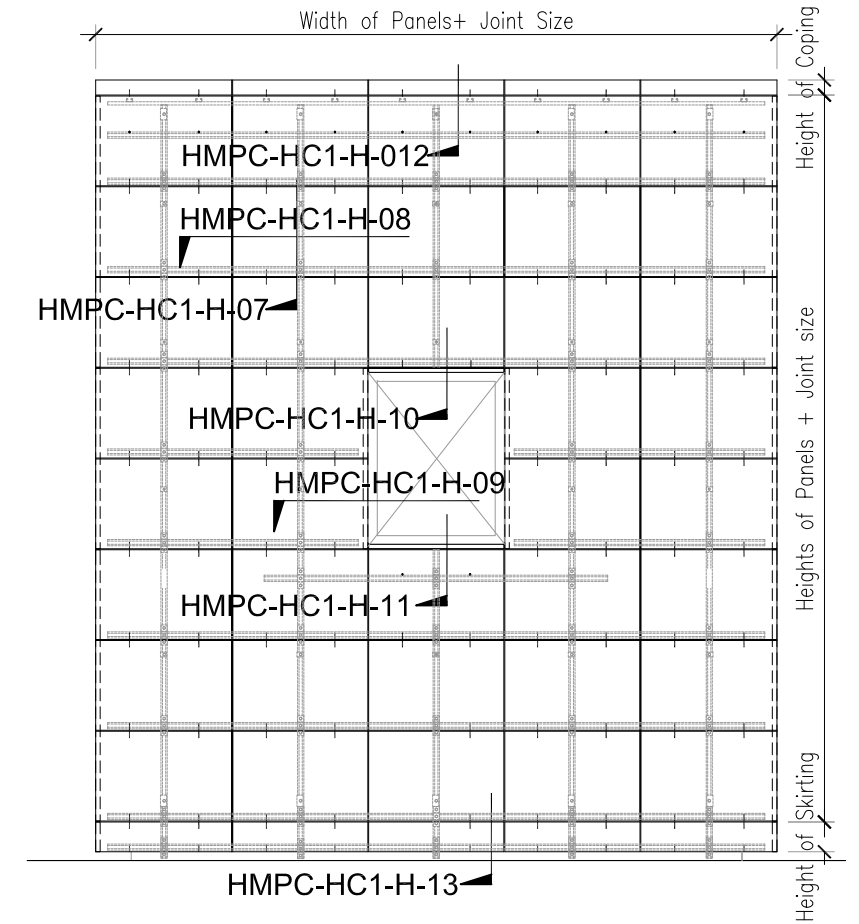


# HMPC-HC1-H

## SUB CHANNEL SYSTEM



Vertical section Scale 1:4



Elevation Scale 1:50

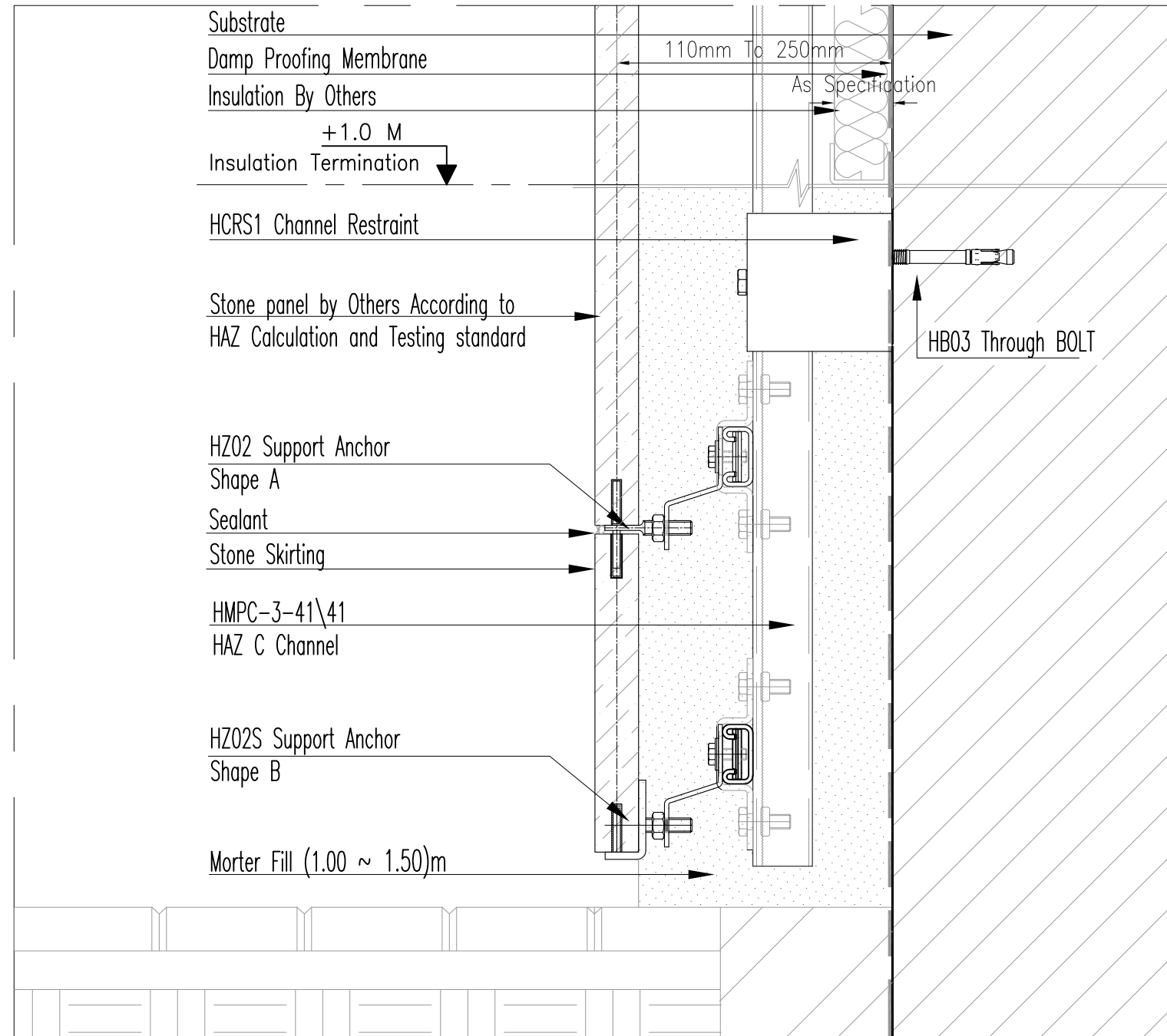


HAZ METAL Sanayi ve Ticaret A.S  
 PO Box 241 31200 Iskenderun / Turkey  
 Tel: +90 326 6262050 Faks: 6262045  
 info@hazmetal.com / www.hazmetal.com.

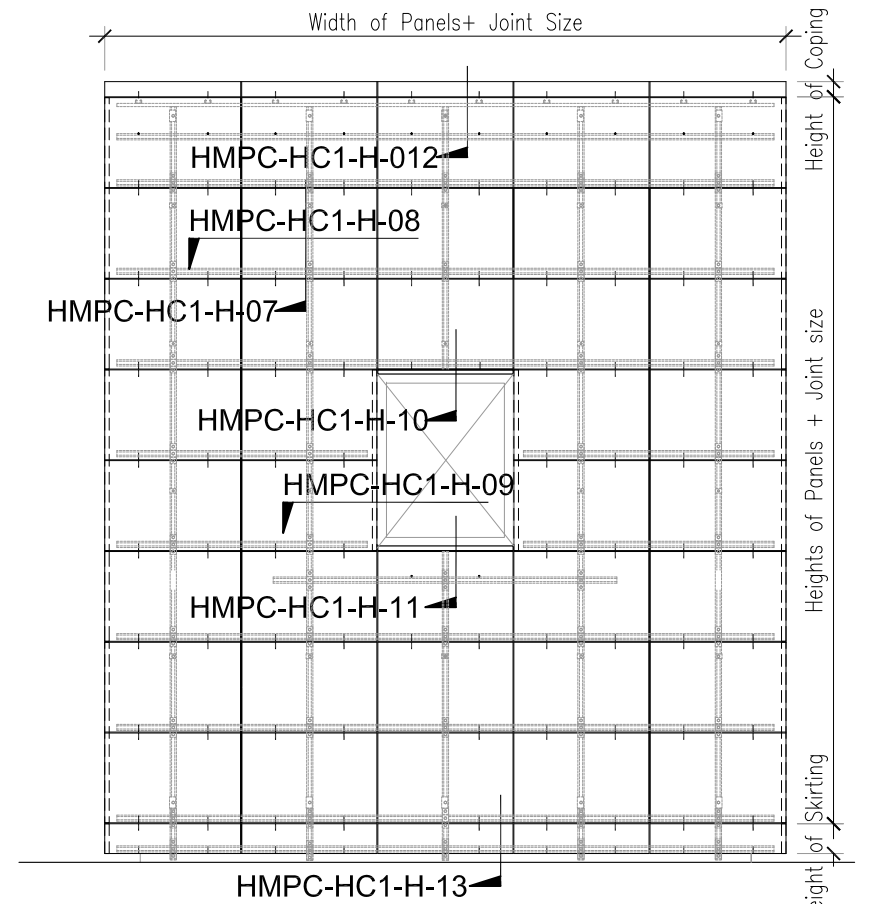
Title :		Horizontal Joint Installation - Stone Coping - Vertical Section			
Drawing No.		HAZCD-HMPC-HC1-H-ST-11			
Series		Concept Drawings - Natural Stone Fixing System - HMP Sub Channel System			
Revision	01	Scale	As Shown	Paper Size: A3	Page : 12/20

# HMPC-HC1-H

## SUB CHANNEL SYSTEM



Vertical section Scale 1:4



Elevation Scale 1:50

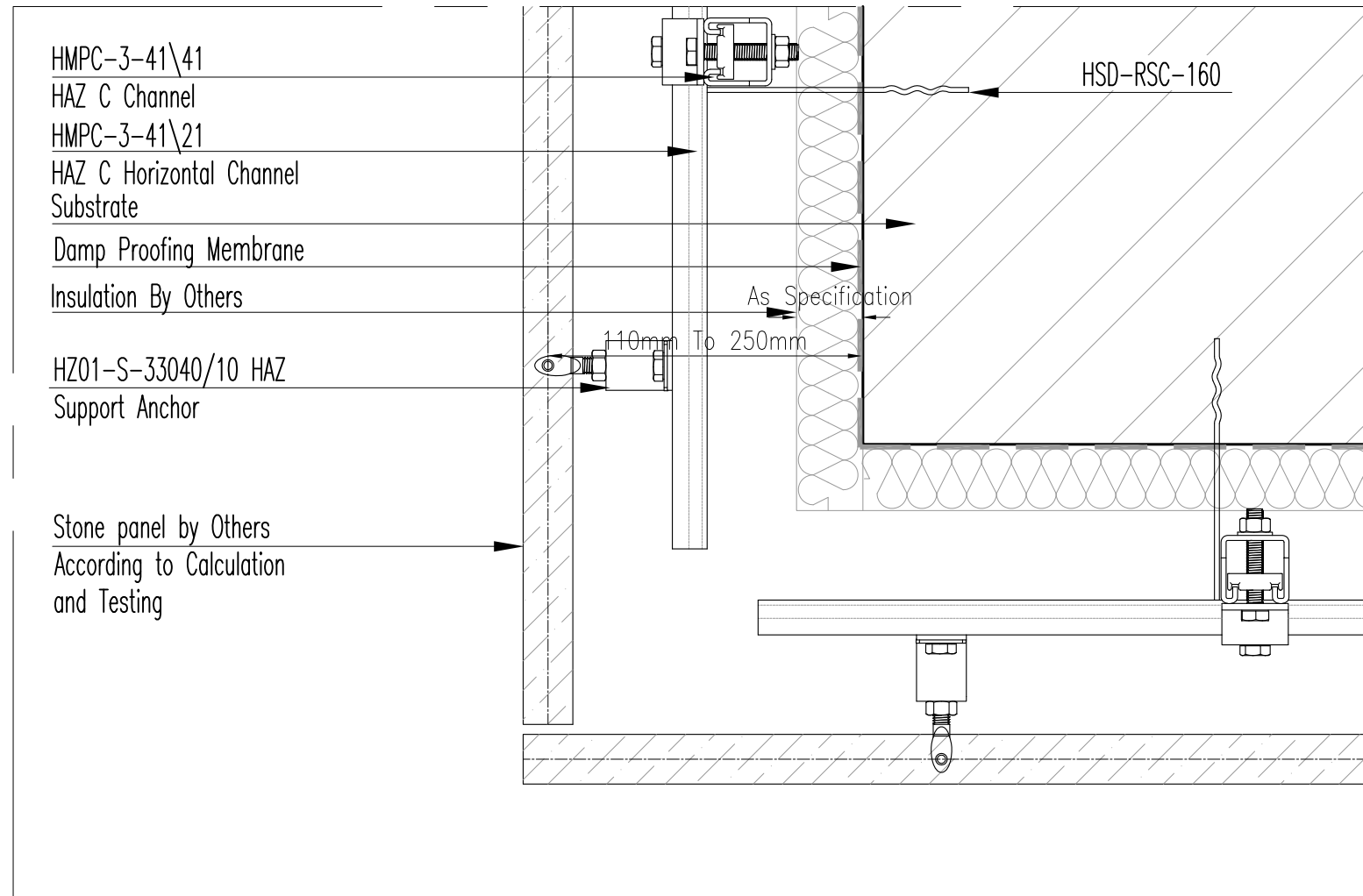


Title :		Horizontal Joint Installation - Stone Skirting - Vertical Section			
Drawing No.		HAZCD-HMPC-HC1-H-ST-13			
Series		Concept Drawings - Natural Stone Fixing System - HMP Sub Channel System			
Revision		01	Scale	As Shown	Paper Size: A3
					Page : 13/20

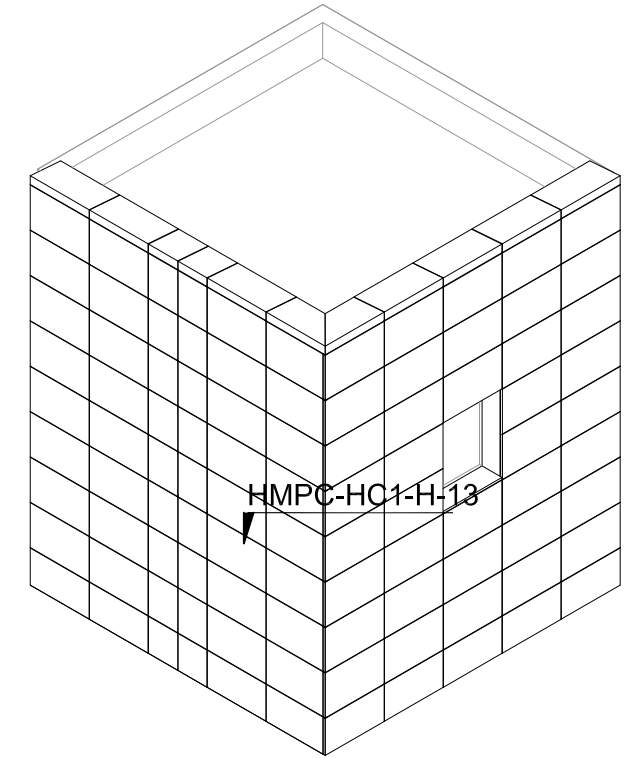
HAZ METAL Sanayi ve Ticaret A.S  
 PO Box 241 31200 Iskenderun / Turkey  
 Tel: +90 326 6262050 Faks: 6262045  
 info@hazmetal.com / www.hazmetal.com.

# HMPC-HC1-H

## SUB CHANNEL SYSTEM



Horizontal section Scale 1:4



Isometric Scale 1:100



Title : Horizontal Joint Installation - External Corner Stone Cladding - Horizontal Section

Drawing No. HAZCD-HMPC-HC1-H-ST-14

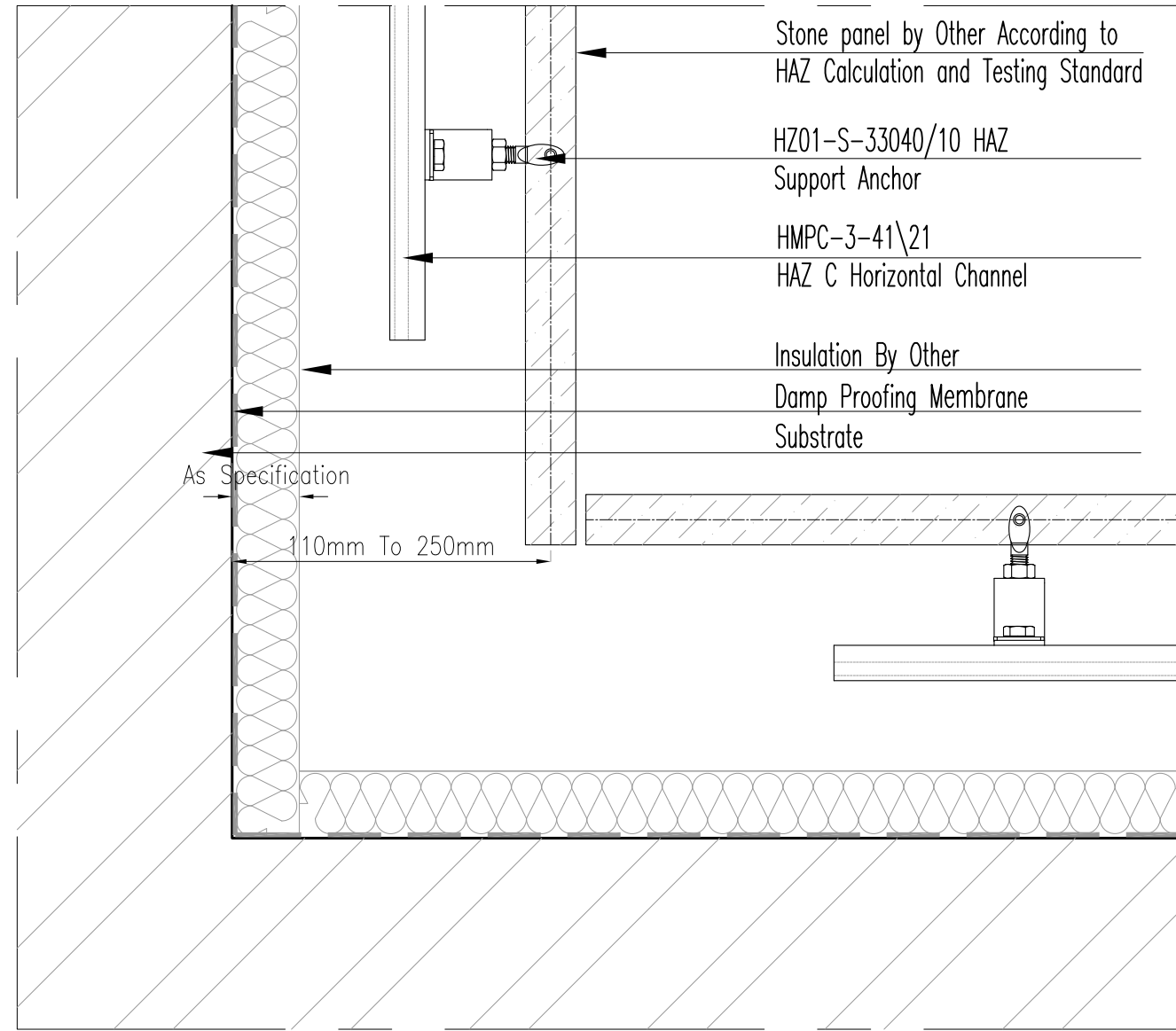
Series Concept Drawings - Natural Stone Fixing System - HMP Sub Channel System

Revision	01	Scale	As Shown	Paper Size: A3	Page :	14/20
----------	----	-------	----------	----------------	--------	-------

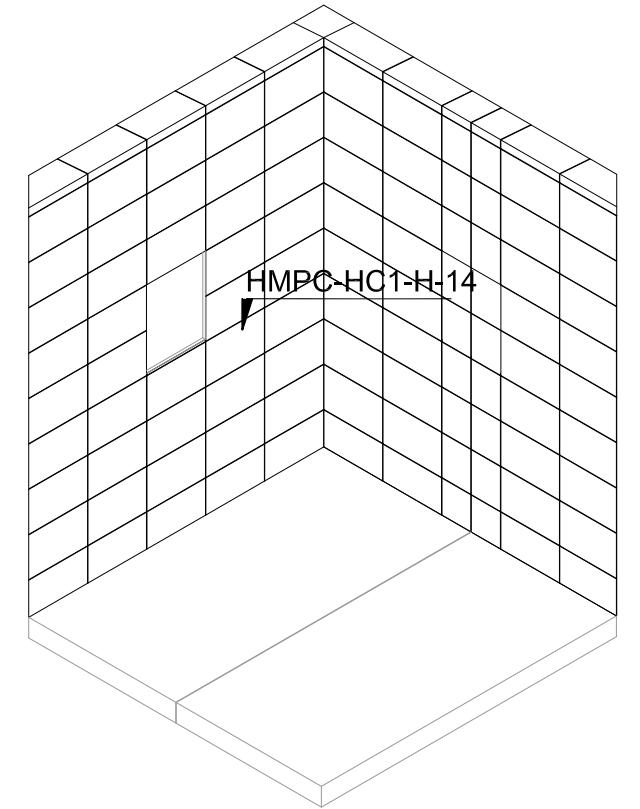
HAZ METAL Sanayi ve Ticaret A.S  
 PO Box 241 31200 Iskenderun / Turkey  
 Tel: +90 326 6262050 Faks: 6262045  
 info@hazmetal.com / www.hazmetal.com.

# HMPC-HC1-H

## SUB CHANNEL SYSTEM



Horizontal section Scale 1:4



Isometric Scale 1:100

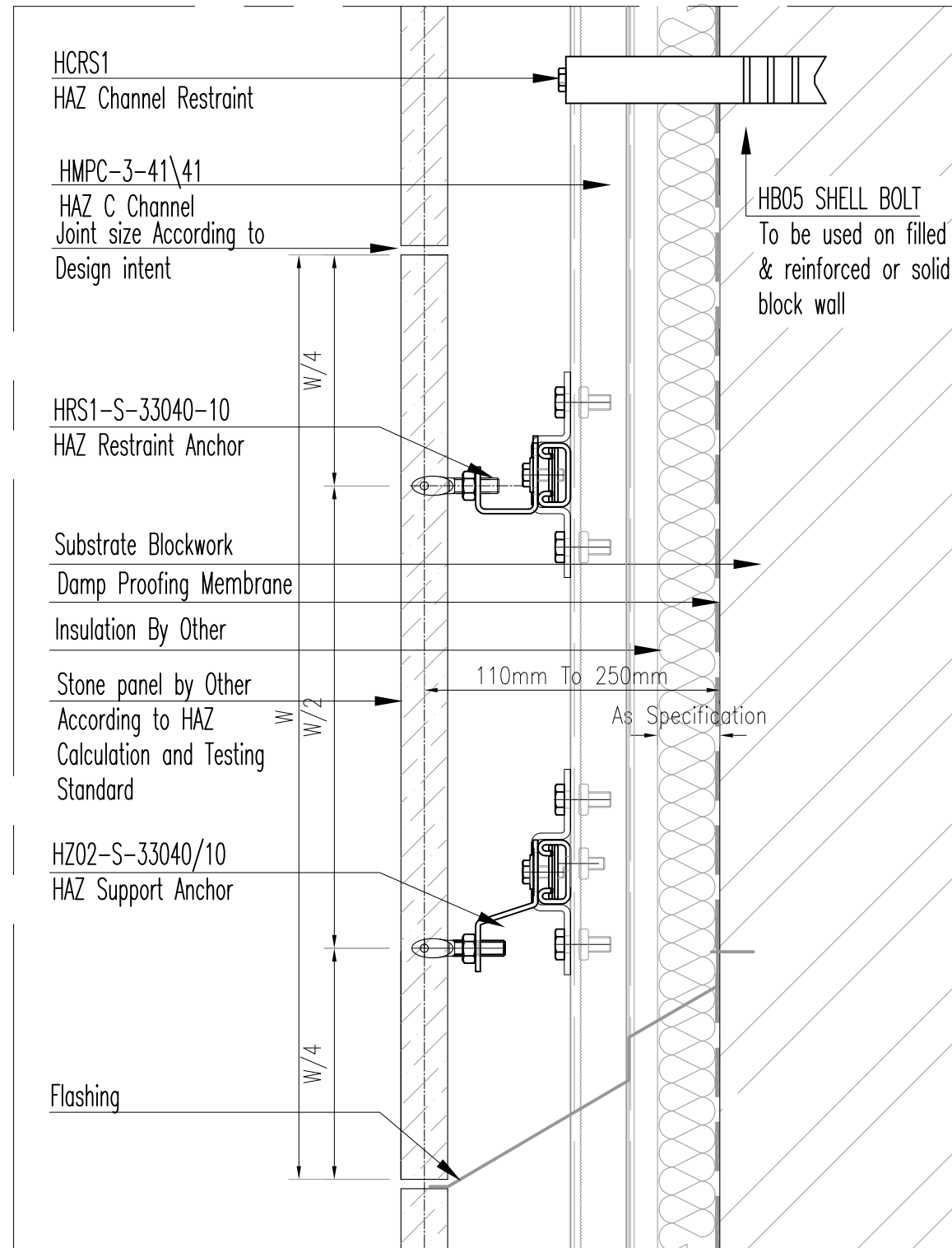


Title :		Horizontal Joint Installation - Internal Corner Stone Cladding - Horizontal Section			
Drawing No.		HAZCD-HMPC-HC1-H-ST-15			
Series		Concept Drawings - Natural Stone Fixing System - HMP Sub Channel System			
Revision	01	Scale	As Shown	Paper Size: A3	Page : 15/20

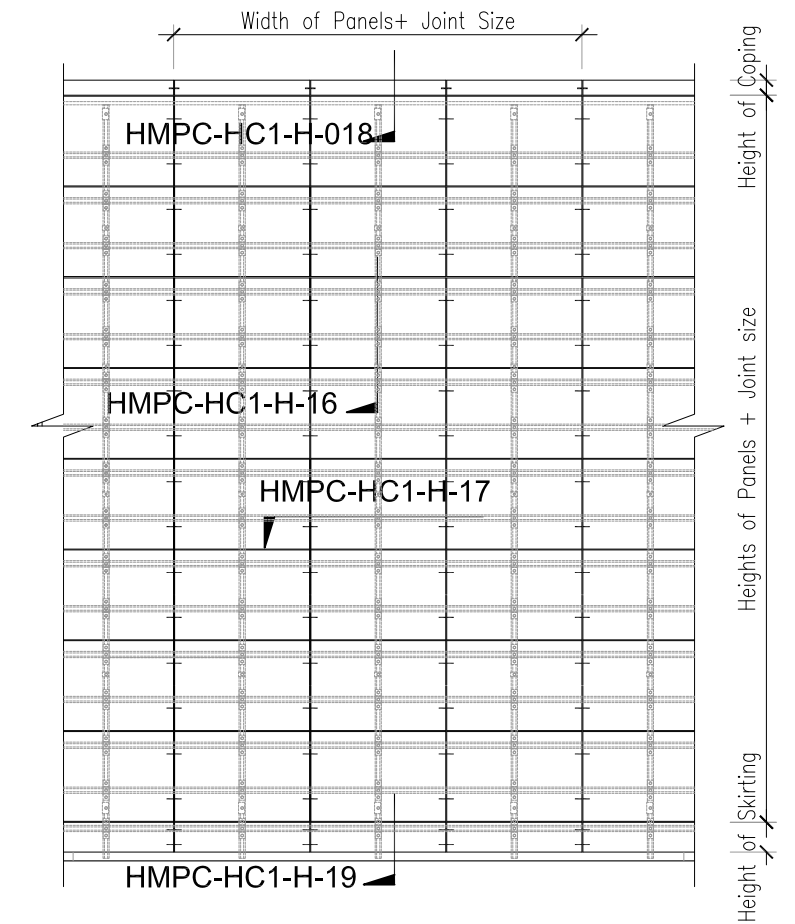
HAZ METAL Sanayi ve Ticaret A.S  
 PO Box 241 31200 Iskenderun / Turkey  
 Tel: +90 326 6262050 Faks: 6262045  
 info@hazmetal.com / www.hazmetal.com.



# HMPC-HC1-H SUB CHANNEL SYSTEM



Vertical section Scale 1:4



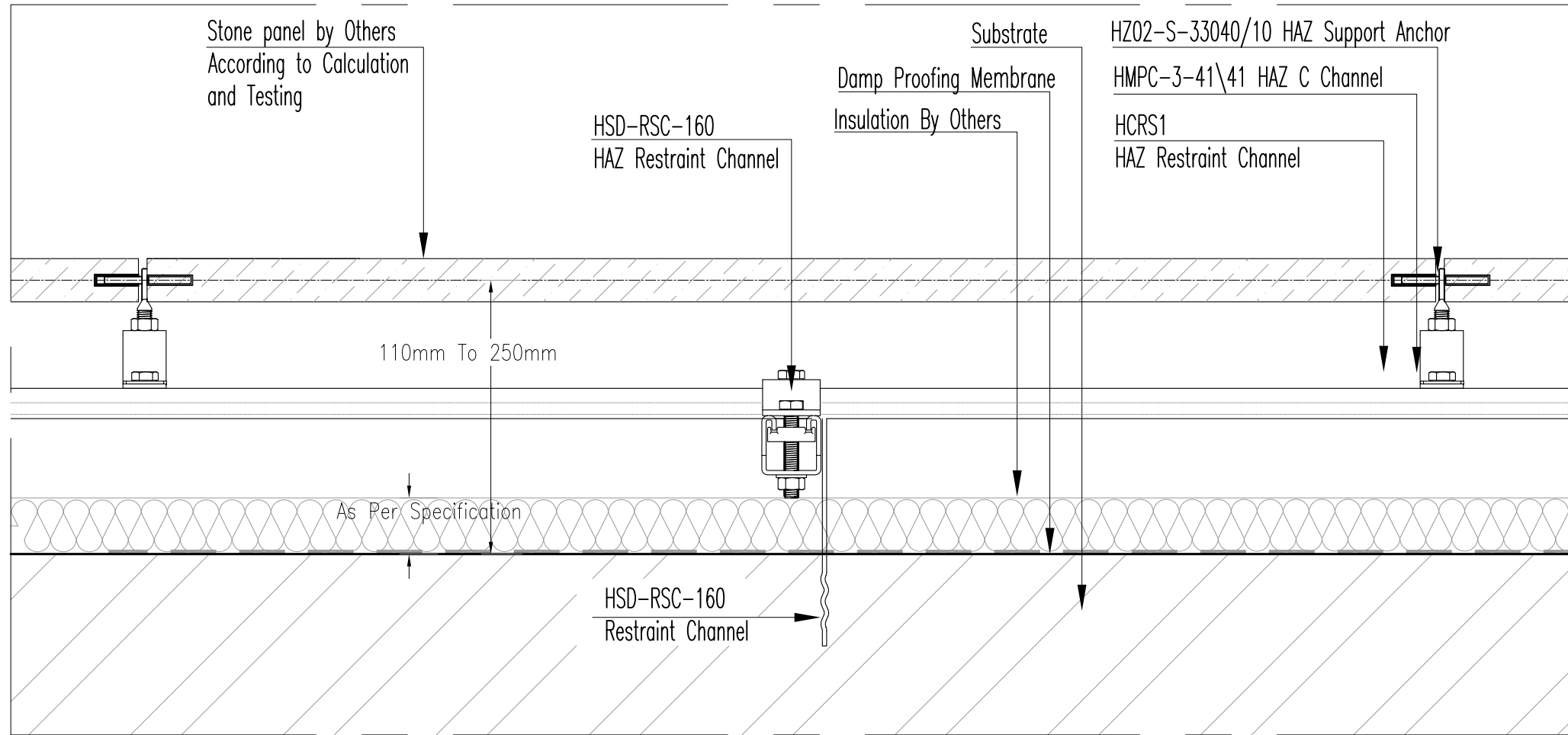
Elevation Scale 1:50



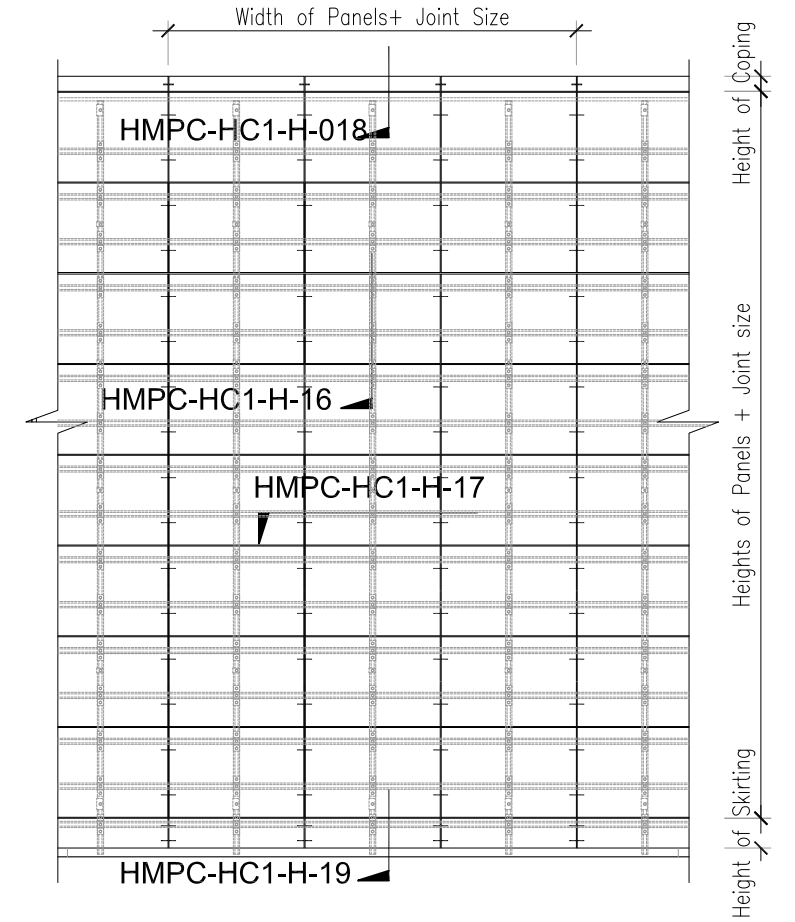
Title :		Vertical Joint Installation - Typical Stone Claddings - HMPC-HC1-H System - Vertical Section			
Drawing No.		HAZCD-HMPC-HC1-H-ST-16			
Series		Concept Drawings - Natural Stone Fixing System - HMP Sub Channel System			
Revision	01	Scale	As Shown	Paper Size: A3	Page : 16/20

HAZ METAL Sanayi ve Ticaret A.S  
 PO Box 241 31200 Iskenderun / Turkey  
 Tel: +90 326 6262050 Faks: 6262045  
 info@hazmetal.com / www.hazmetal.com.

# HMPC-HC1-H SUB CHANNEL SYSTEM



Horizontal section Scale 1:4



Elevation Scale 1:50

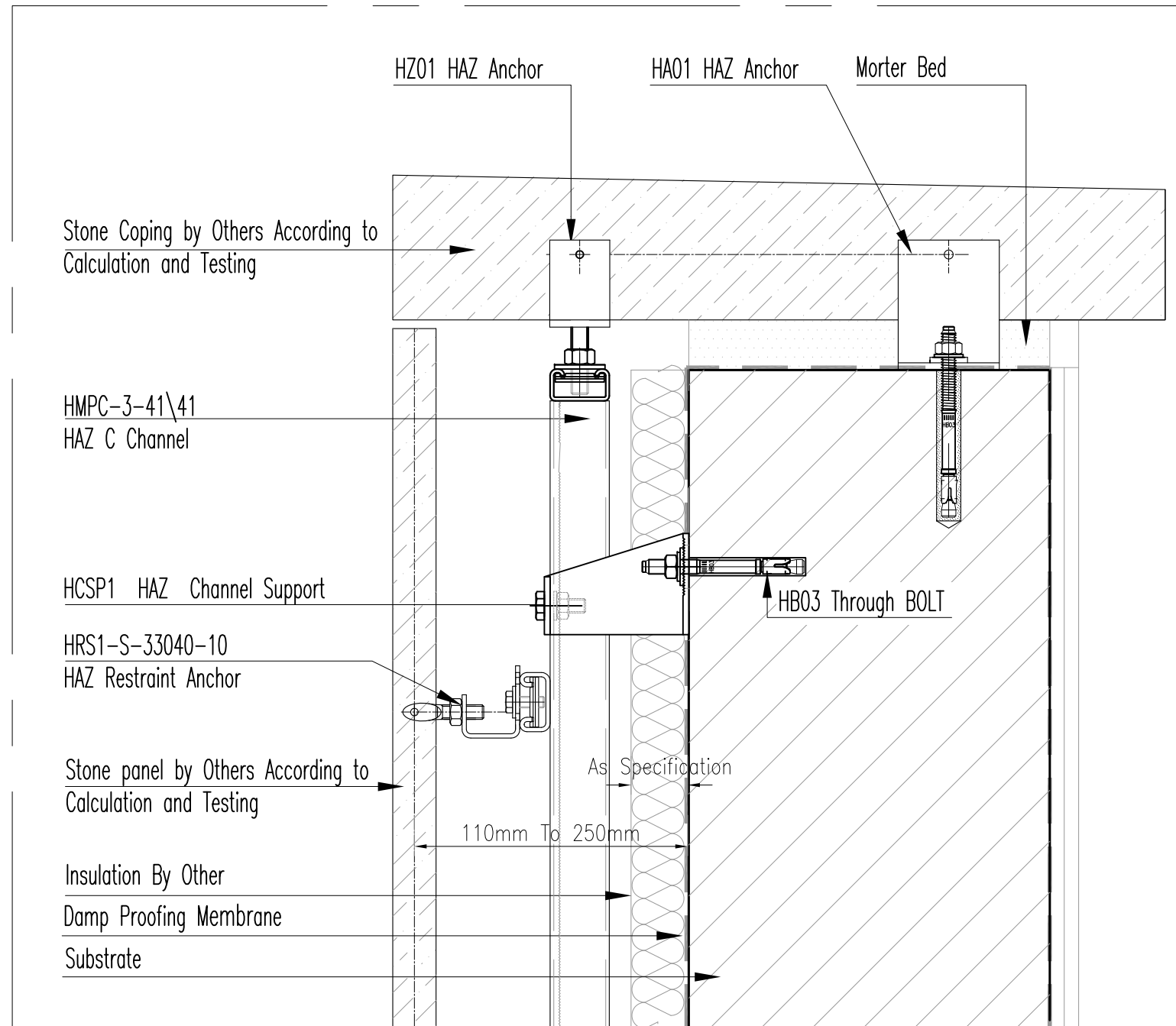


Title :		Vertical Joint Installation - Typical Stone Claddings - HMPC-HC1-H System - Horizontal Section			
Drawing No.		HAZCD-HMPC-HC1-H-ST-17			
Series		Concept Drawings - Natural Stone Fixing System - HMP Sub Channel System			
Revision		01	Scale	As Shown	Paper Size: A3
					Page : 17/20

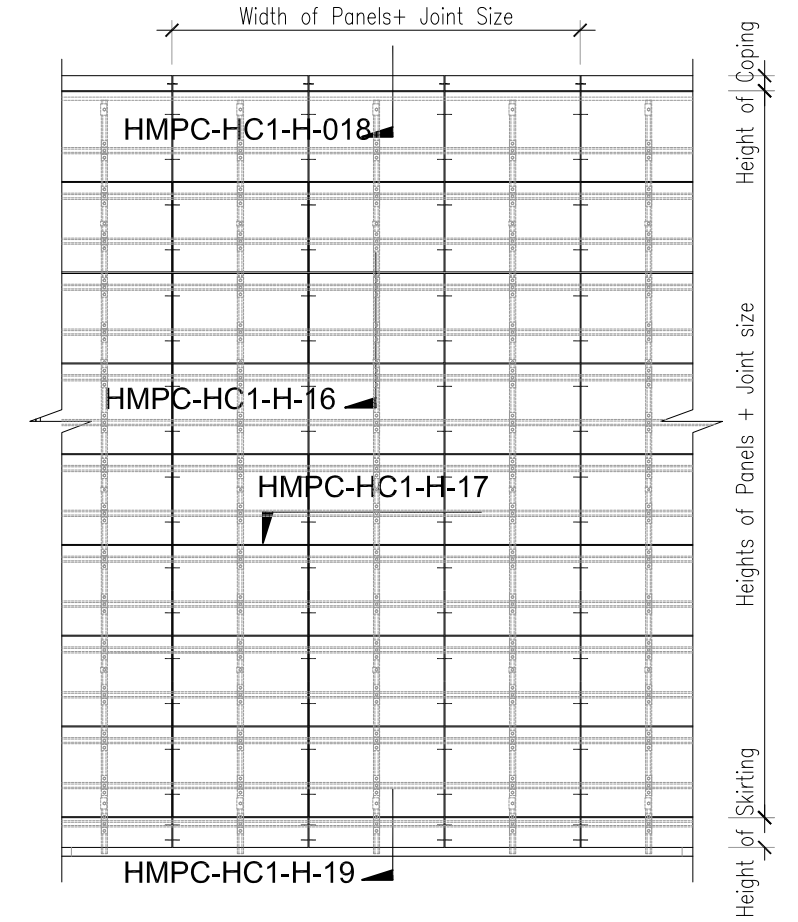
HAZ METAL Sanayi ve Ticaret A.S  
PO Box 241 31200 Iskenderun / Turkey  
Tel: +90 326 6262050 Faks: 6262045  
info@hazmetal.com / www.hazmetal.com.

# HMPC-HC1-H

## SUB CHANNEL SYSTEM



Vertical section Scale 1:4



Elevation Scale 1:50

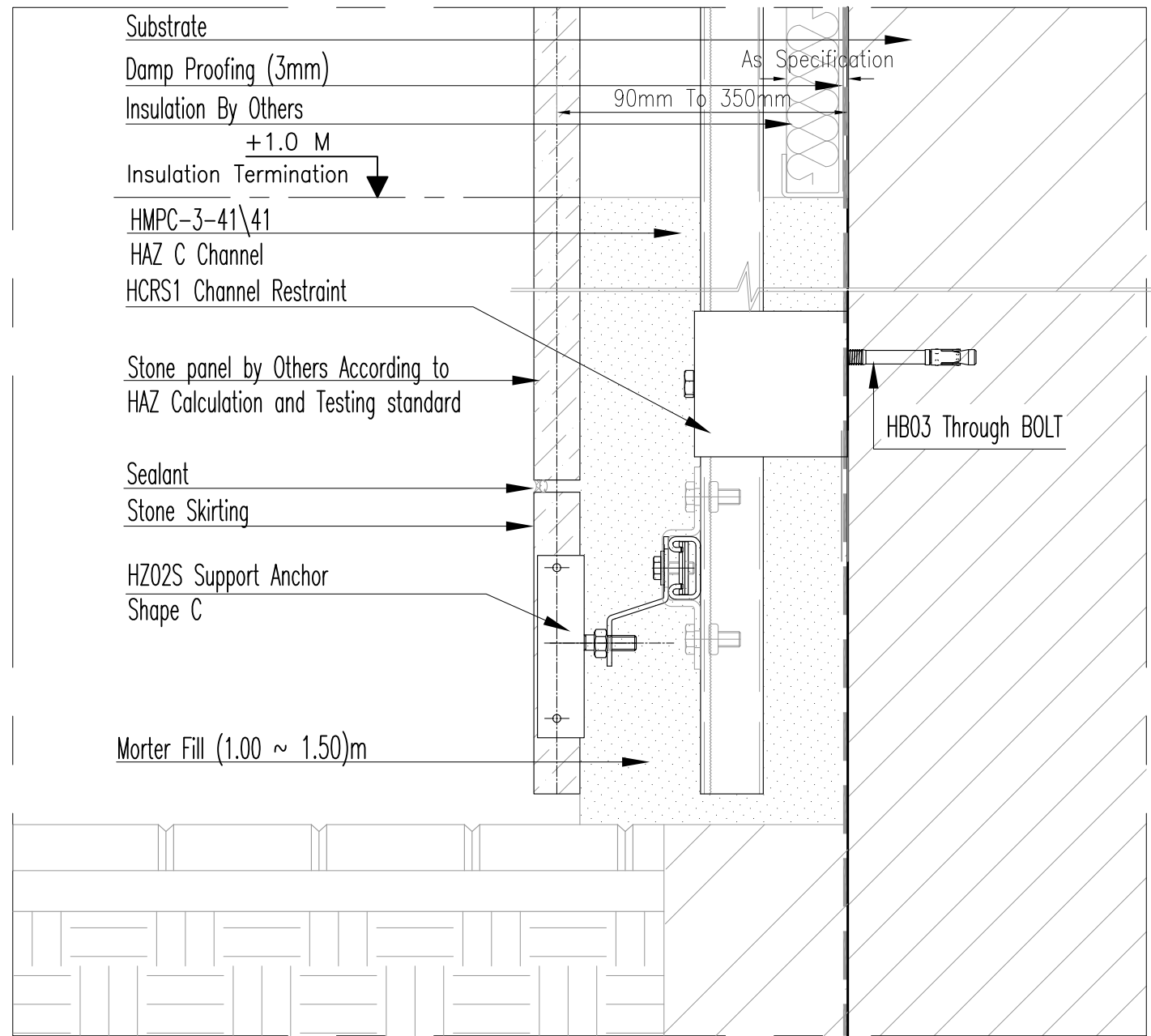


Title :		Vertical Joint Installation - Stone Coping - Vertical Section			
Drawing No.		HAZCD-HMPC-HC1-H-ST-17			
Series		Concept Drawings - Natural Stone Fixing System - HMP Sub Channel System			
Revision		01	Scale	As Shown	Paper Size: A3
					Page : 18/20

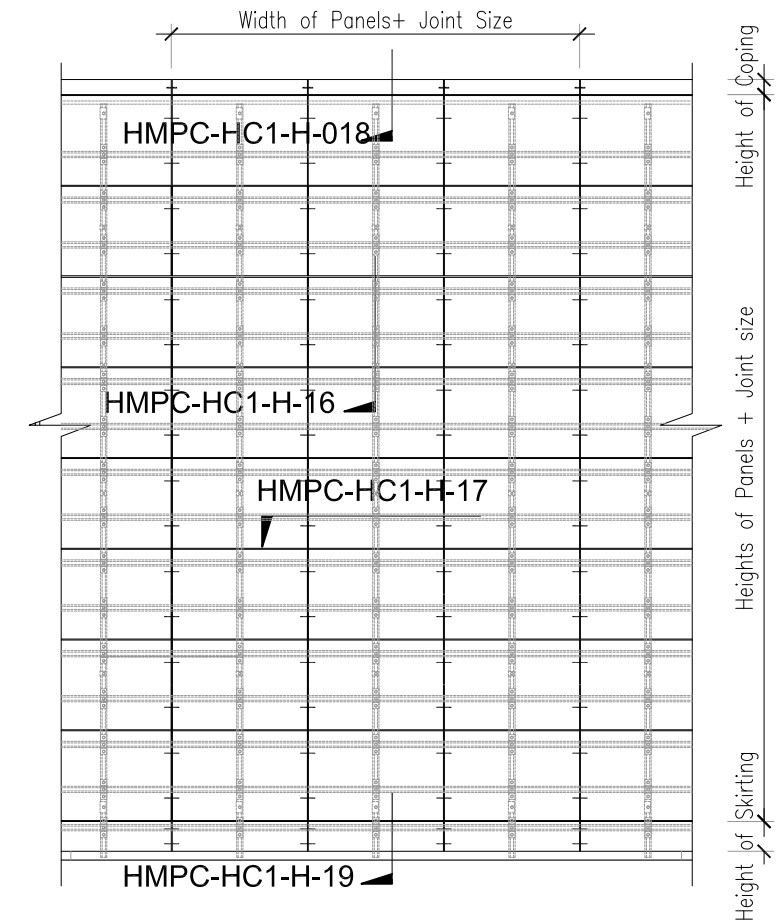
HAZ METAL Sanayi ve Ticaret A.S  
 PO Box 241 31200 Iskenderun / Turkey  
 Tel: +90 326 6262050 Faks: 6262045  
 info@hazmetal.com / www.hazmetal.com.

# HMPC-HC1-H

## SUB CHANNEL SYSTEM



Vertical section Scale 1:4



Elevation Scale 1:50



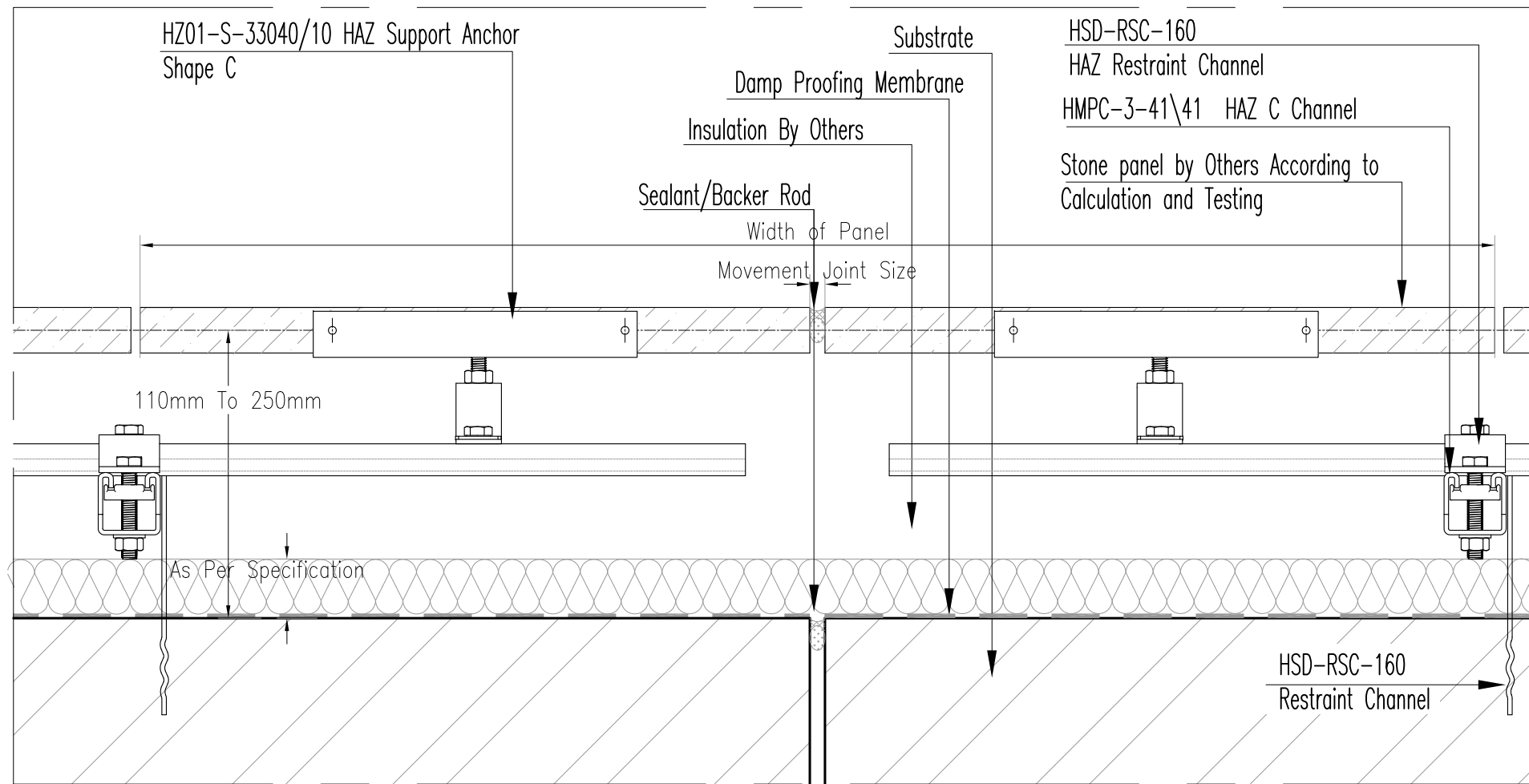
Title :		Vertical Joint Installation - Stone Skirting - Vertical Section			
Drawing No.		HAZCD-HMPC-HC1-H-ST-18			
Series		Concept Drawings - Natural Stone Fixing System - HMP Sub Channel System			
Revision		01	Scale	As Shown	Paper Size: A3
					Page : 19/20

HAZ METAL Sanayi ve Ticaret A.S  
 PO Box 241 31200 Iskenderun / Turkey  
 Tel: +90 326 6262050 Faks: 6262045  
 info@hazmetal.com / www.hazmetal.com.

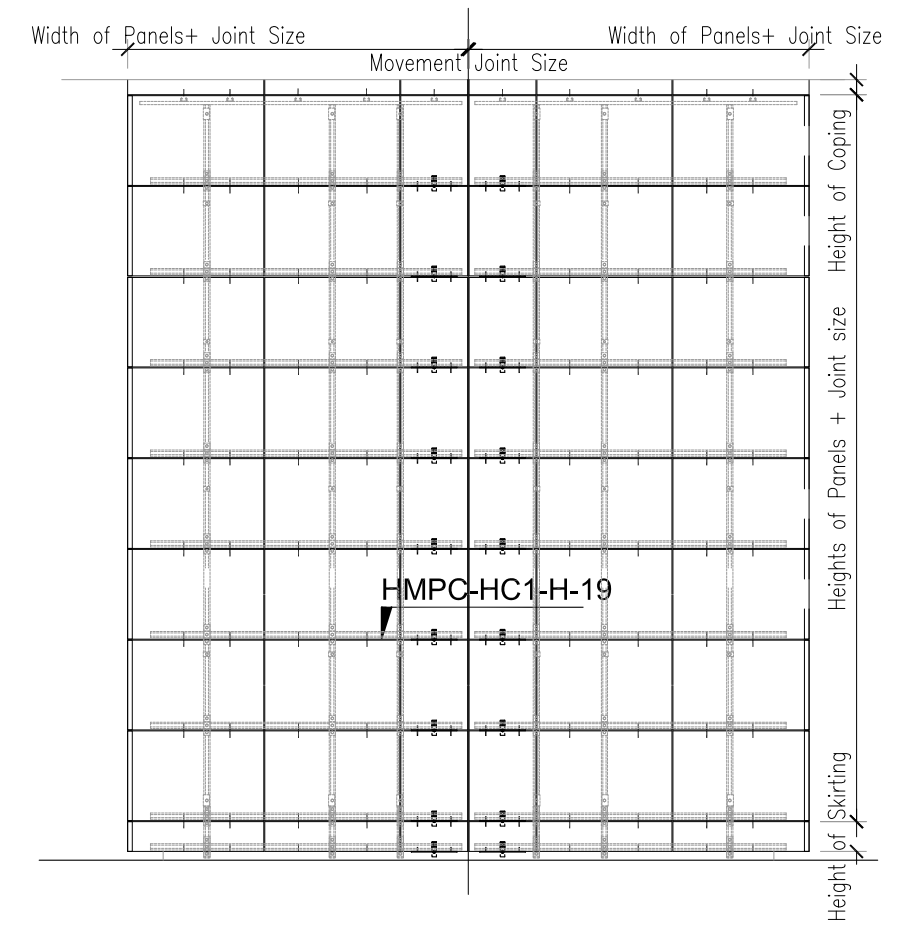


# HMPC-HC1-H

## SUB CHANNEL SYSTEM



Horizontal section Scale 1:4



Variation on Typical Elevation  
Scale 1:50



HAZ METAL Sanayi ve Ticaret A.S  
PO Box 241 31200 Iskenderun / Turkey  
Tel: +90 326 6262050 Faks: 6262045  
info@hazmetal.com / www.hazmetal.com.

Title :		Horizontal Joint Installation - Typical Stone Claddings - Movement Joint - Horizontal Section			
Drawing No.		HAZCD-HMPC-HC1-H-ST-19			
Series		Concept Drawings - Natural Stone Fixing System - HMP Sub Channel System			
Revision		01	Scale	As Shown	Paper Size: A3
					Page : 20/20