

HAZ METAL
FIXING SYSTEMS

BUG

HDM MORTAR ANCHOR FIXING SYSTEM

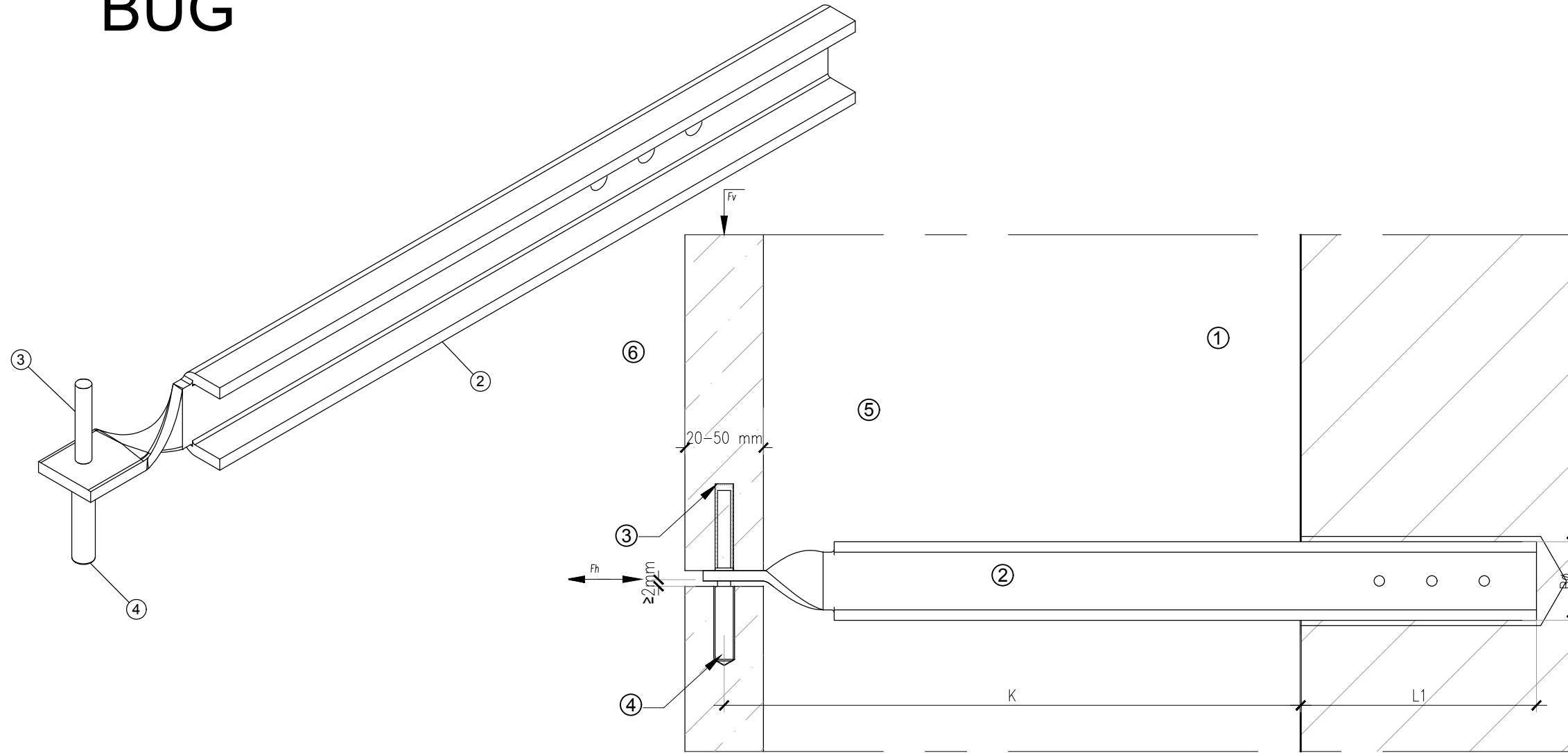
Concept Drawings

Series: HAZCD-BUG-ST

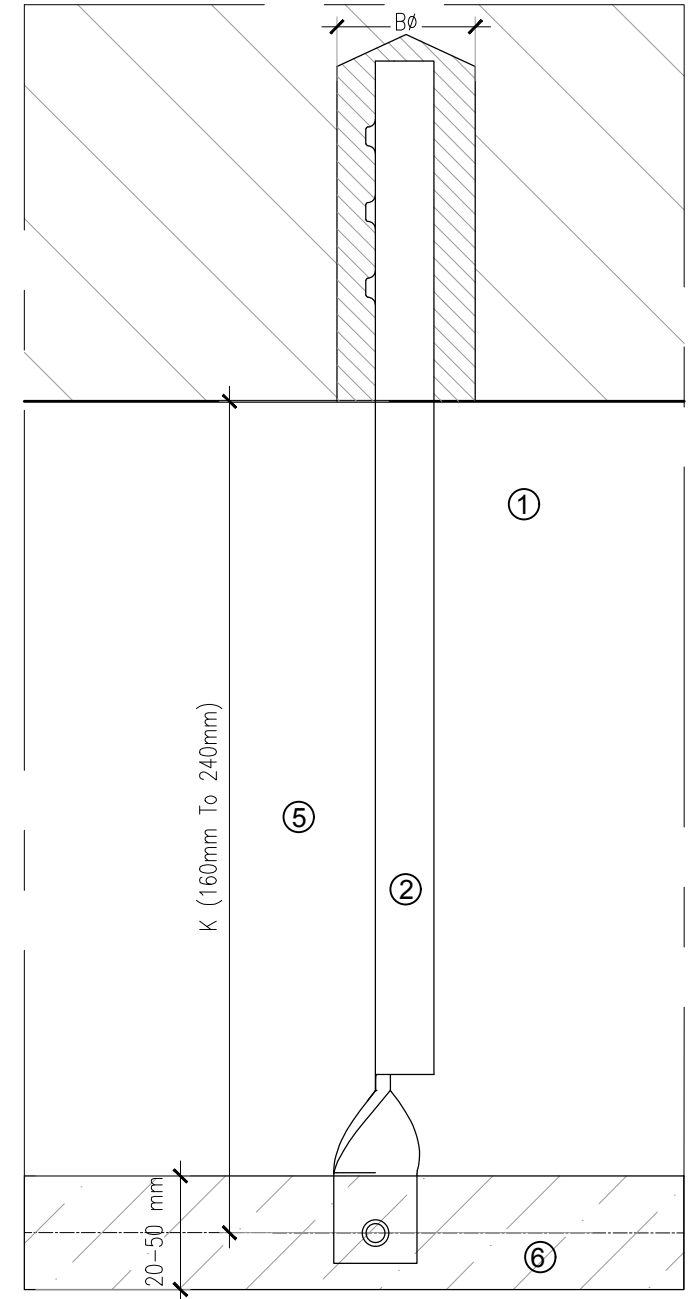
Direct Fixing System For Rain Screen Stone
Cladding System for Installation at Vertical
and Horizontal Joints



BUG



Scale 1:2



Scale 1:2

Legend	
1	Substrate
2	BUG Anchor Body
3	FLANGED PIN
4	PLASTIC TUBE
5	Cavity
6	Stone Cladding Panel

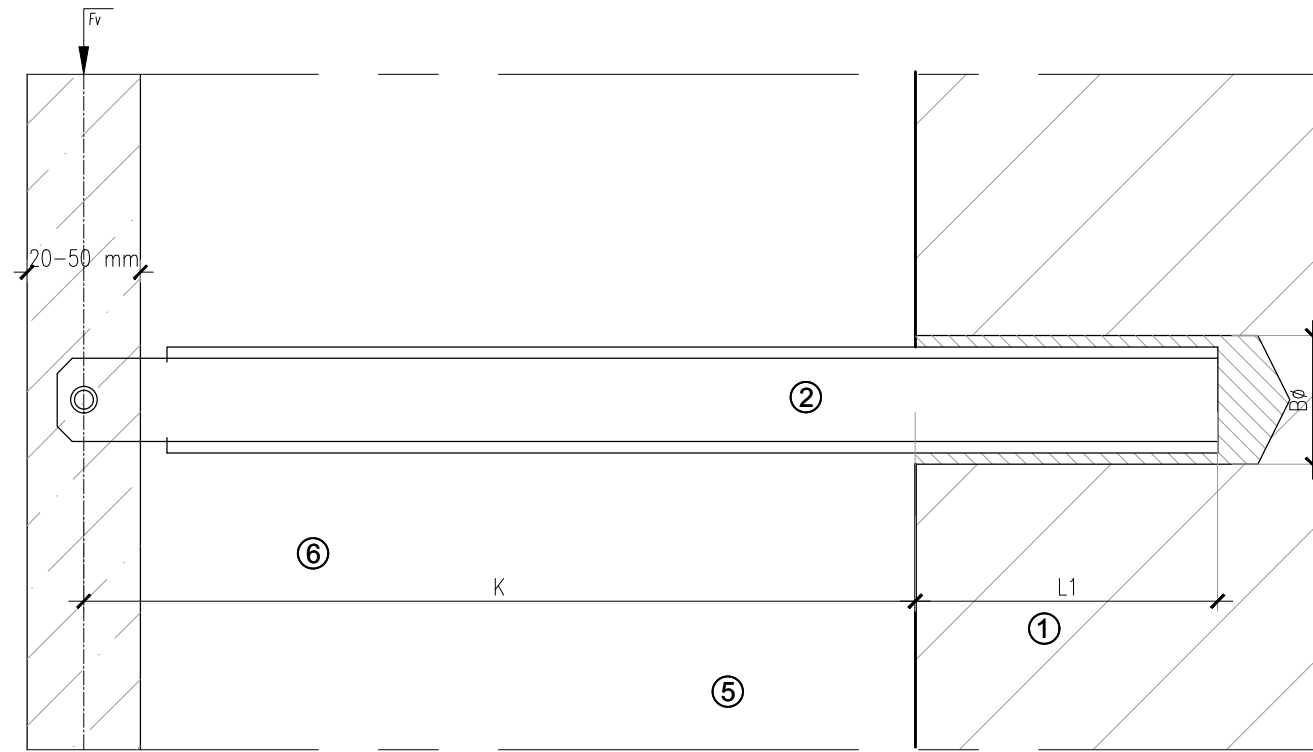
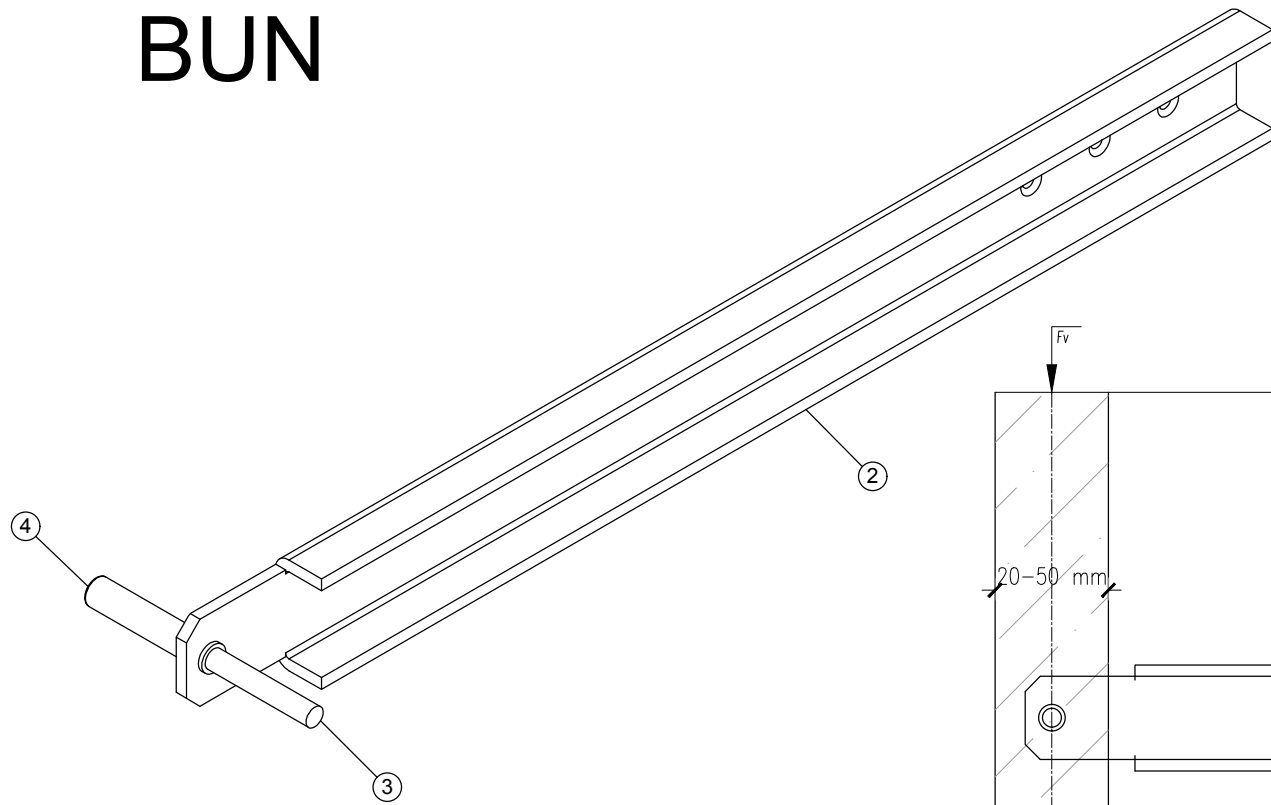
Product Code	Projection K(mm)	Perm. Load Fv(kN)	Wind Load Fv(kN)	Embed L L1(mm)	F. Pin Size (mm)	Bore Dia. BØ (mm)	Anchor Thickness(mm)
BUG-616	160	600	571	90	Ø5	32	4
BUG-618	180						
BUG-620	200						
BUG-622	220						
BUG-624	240						



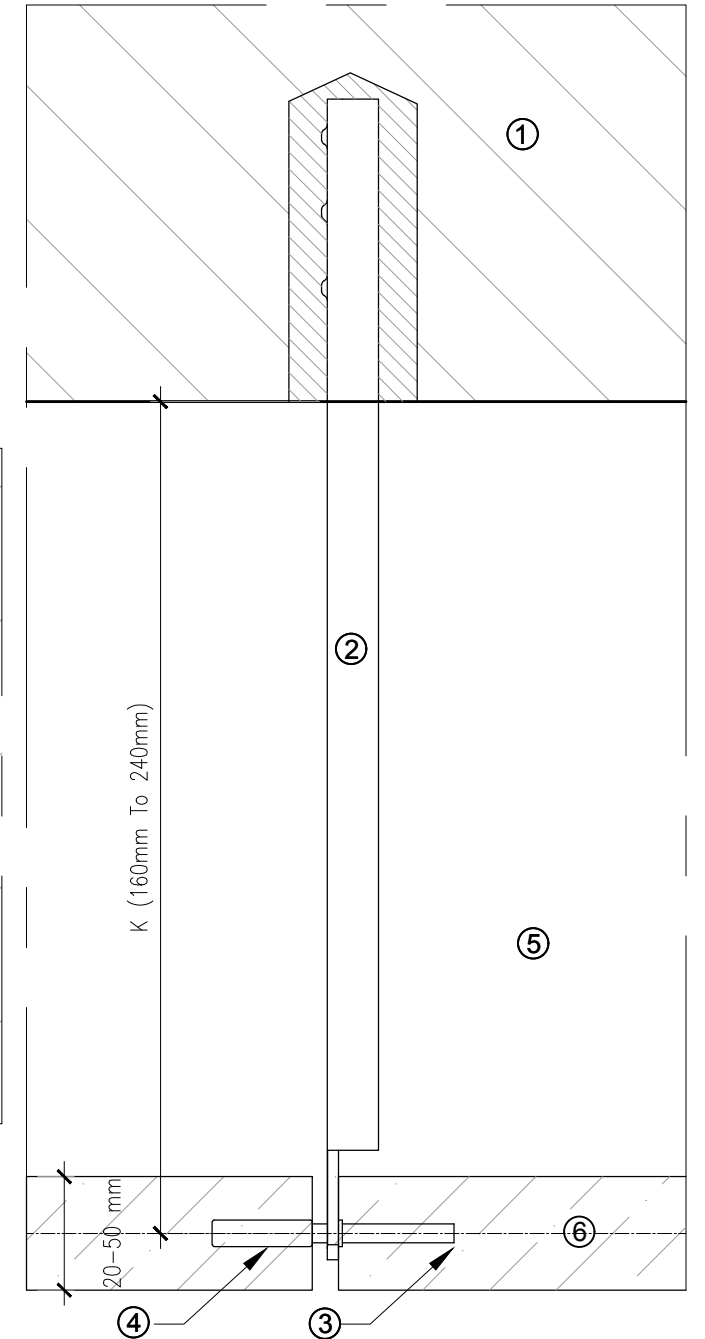
HAZ METAL Sanayi ve Ticaret A.S
 PO Box 241 31200 Iskenderun / Turkey
 Tel: +90 326 6262050 Faks: 6262045
 info@hazmetal.com / www.hazmetal.com.

Title :		Natural Stone Facade - Built-up Cavity Wall - Mortar Anchor System BUG Specification					
Drawing No.		HAZCD-BUG-ST-01					
Series		Concept Drawings - Natural Stone Fixing System - BUG Support Anchors					
Revision	01	Scale	As Shown	Paper Size :	A3	Page :	1/14

BUN



Vertical Section Scale 1:2



Horizontal Section Scale 1:2

Legend	
1	Substrate
2	BUG Anchor Body
3	FLANGED PIN
4	PLASTIC TUBE
5	Cavity
6	Stone Cladding Panel

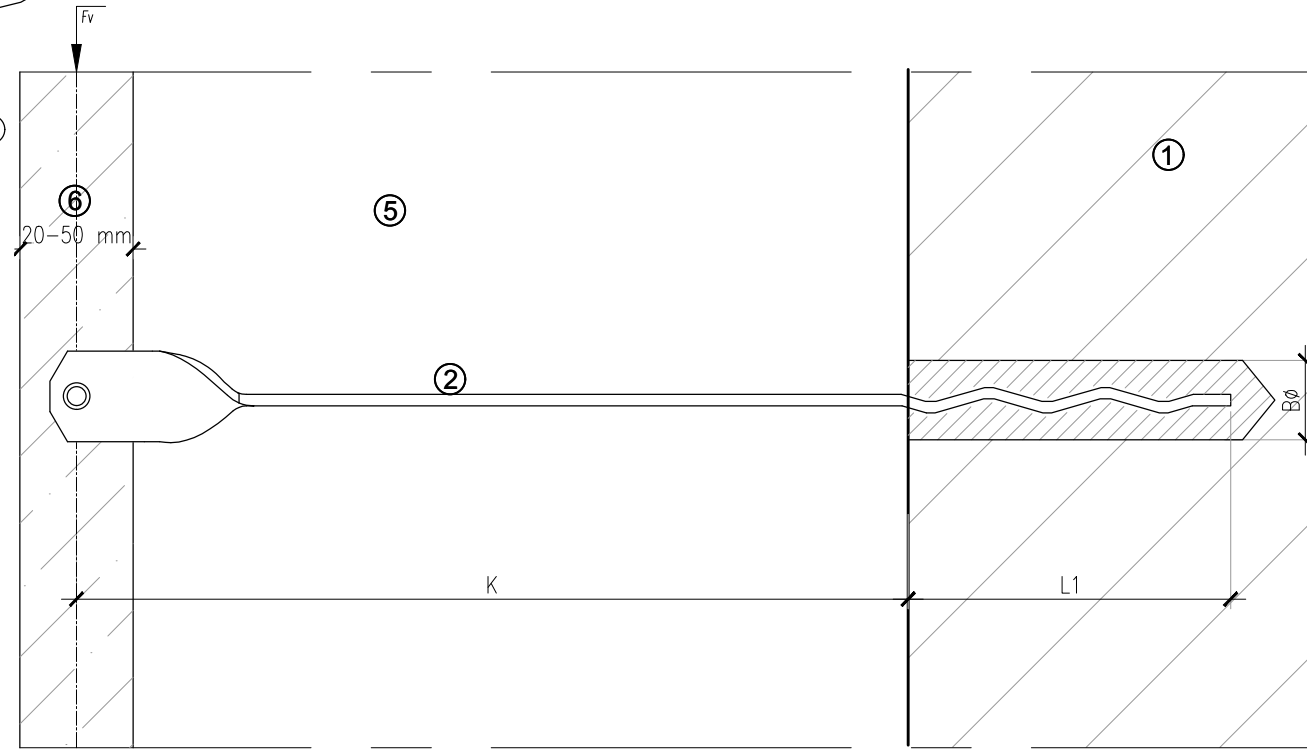
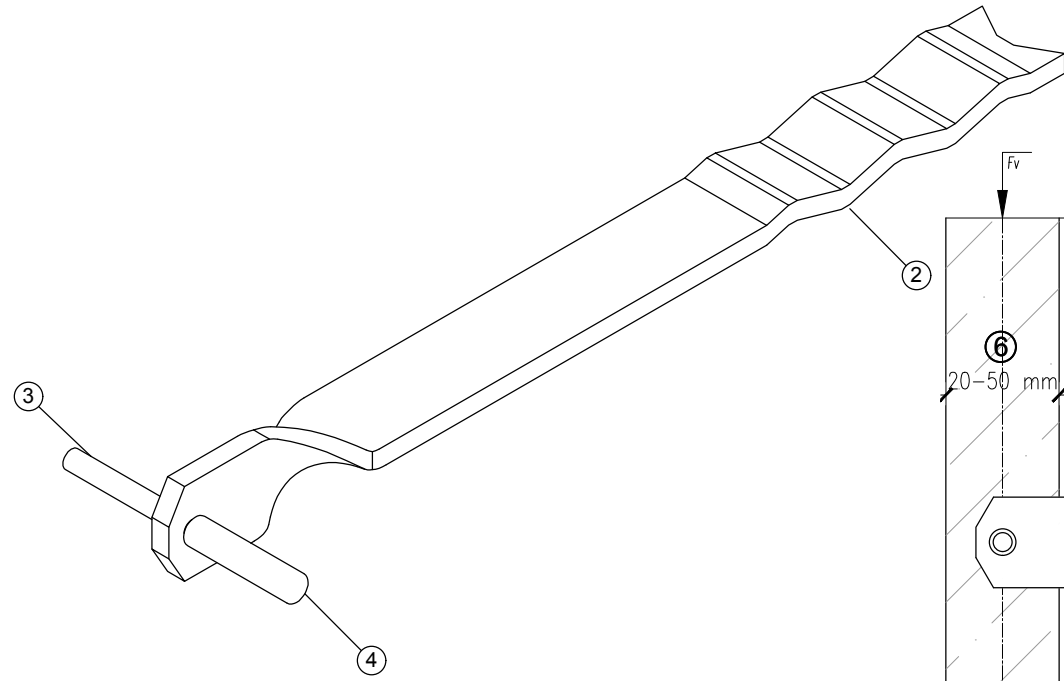
Product Code	Projection K(mm)	Dead Load Kdw(N)	Wind Load Fv(kN)	Embed L L1(mm)	F. Pin Size (mm)	Bore Dia. BØ (mm)	Anchor Thickness(mm)
BUN-622	220	900	1100	80	5	34	3
BUN-624	240	700				38	
BUN-816	160	1800	1500			32	4
BUN-818	180	1700				36	
BUN-820	200	1300					
BUN-822	220	1400					
BUN-824	240	1100					



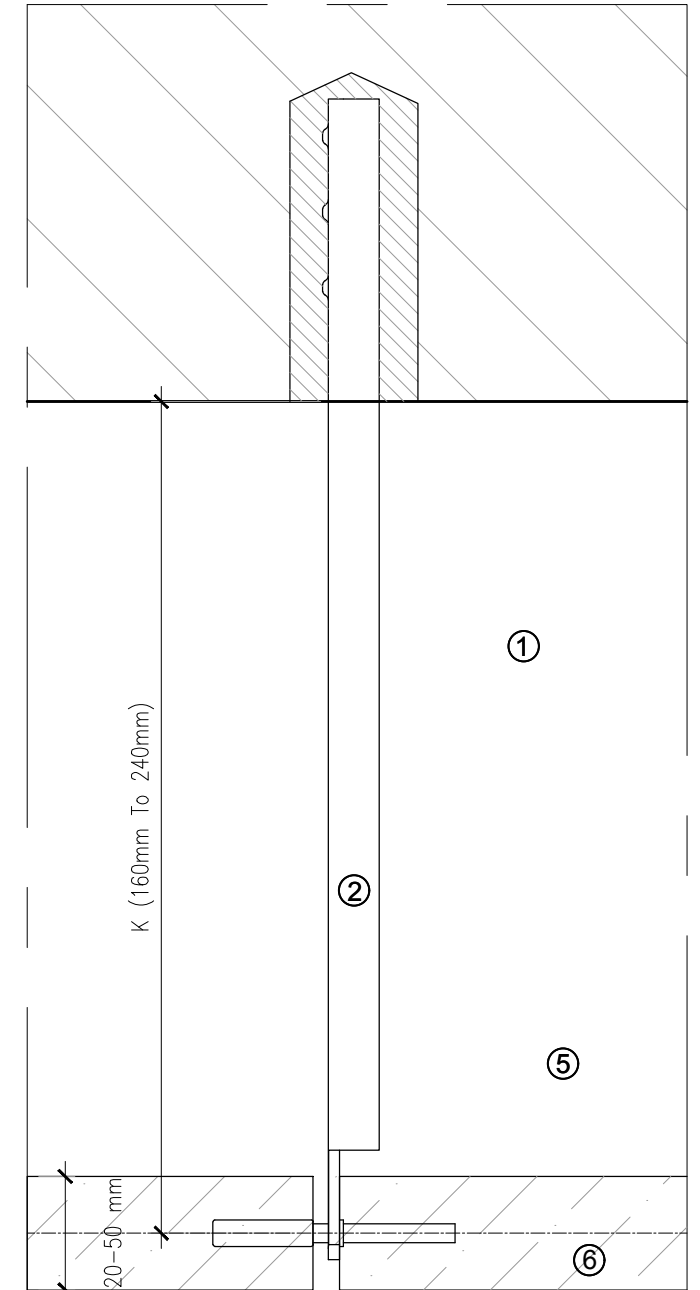
HAZ METAL Sanayi ve Ticaret A.S
 PO Box 241 31200 Iskenderun / Turkey
 Tel: +90 326 6262050 Faks: 6262045
 info@hazmetal.com / www.hazmetal.com.

Title Natural Stone Facade - Built-up Cavity Wall -Mortar Anchor System BUN Specification							
Drawing No.		HAZCD-BUN-ST-02					
Series		Concept Drawings - Natural Stone Fixing System - BUN Vertical Support Anchor					
Revision	01	Scale	As Shown	Paper Size :	A3	Page :	2/14

HG



Vertical Section Scale 1:2



Horizontal Section Scale 1:2

Legend	
1	Substrate
2	BUG Anchor Body
3	FLANGED PIN
4	PLASTIC TUBE
5	Cavity
6	Stone Cladding Panel

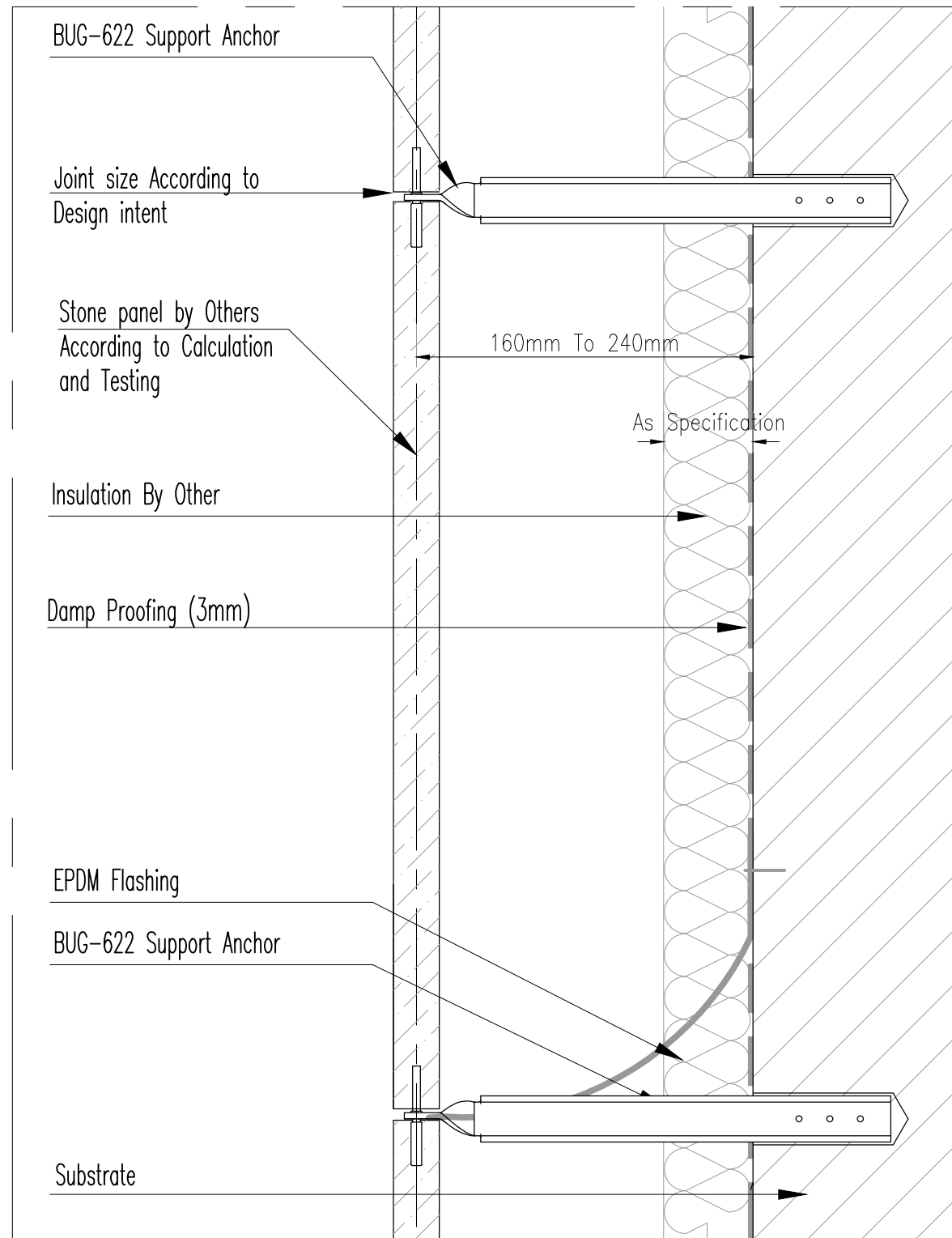
Product Code	Projection K(mm)	Wind Load Fv(kN)	Embed L L1(mm)	F. Pin Size (mm)	Bore Dia. BØ (mm)	Anchor Thickness(mm)
HG-1016	160	500	80	5	21	3
HG-1018	180					
HG-1020	200					
HG-1022	220				24	
HG-1024	240				26	



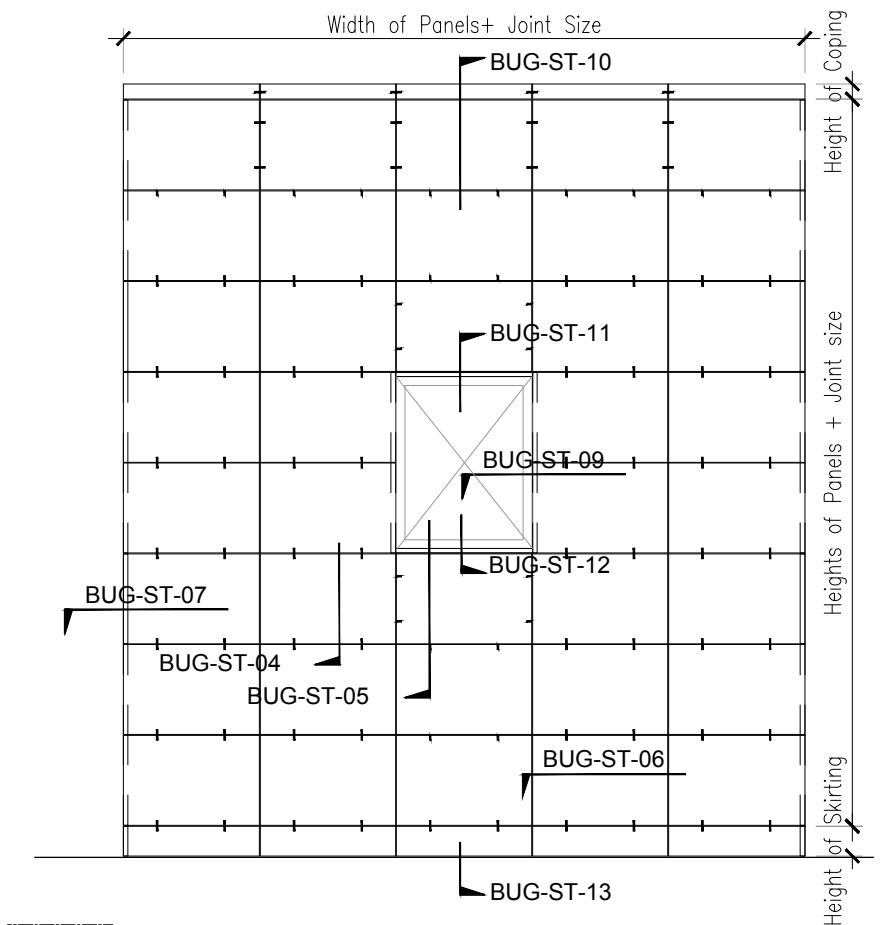
HAZ METAL Sanayi ve Ticaret A.S
 PO Box 241 31200 Iskenderun / Turkey
 Tel: +90 326 6262050 Faks: 6262045
 info@hazmetal.com / www.hazmetal.com.

Title Natural Stone Facade - Built-up Cavity Wall - Mortar Anchor System HG Specification						
Drawing No.	HAZCD-HG-ST-03					
Series	Concept Drawings - Natural Stone Fixing System - HG Restraint Anchor					
Revision	01	Scale	As Shown	Paper Size :	A3	Page : 3/14

BUG



Vertical section Scale 1:4



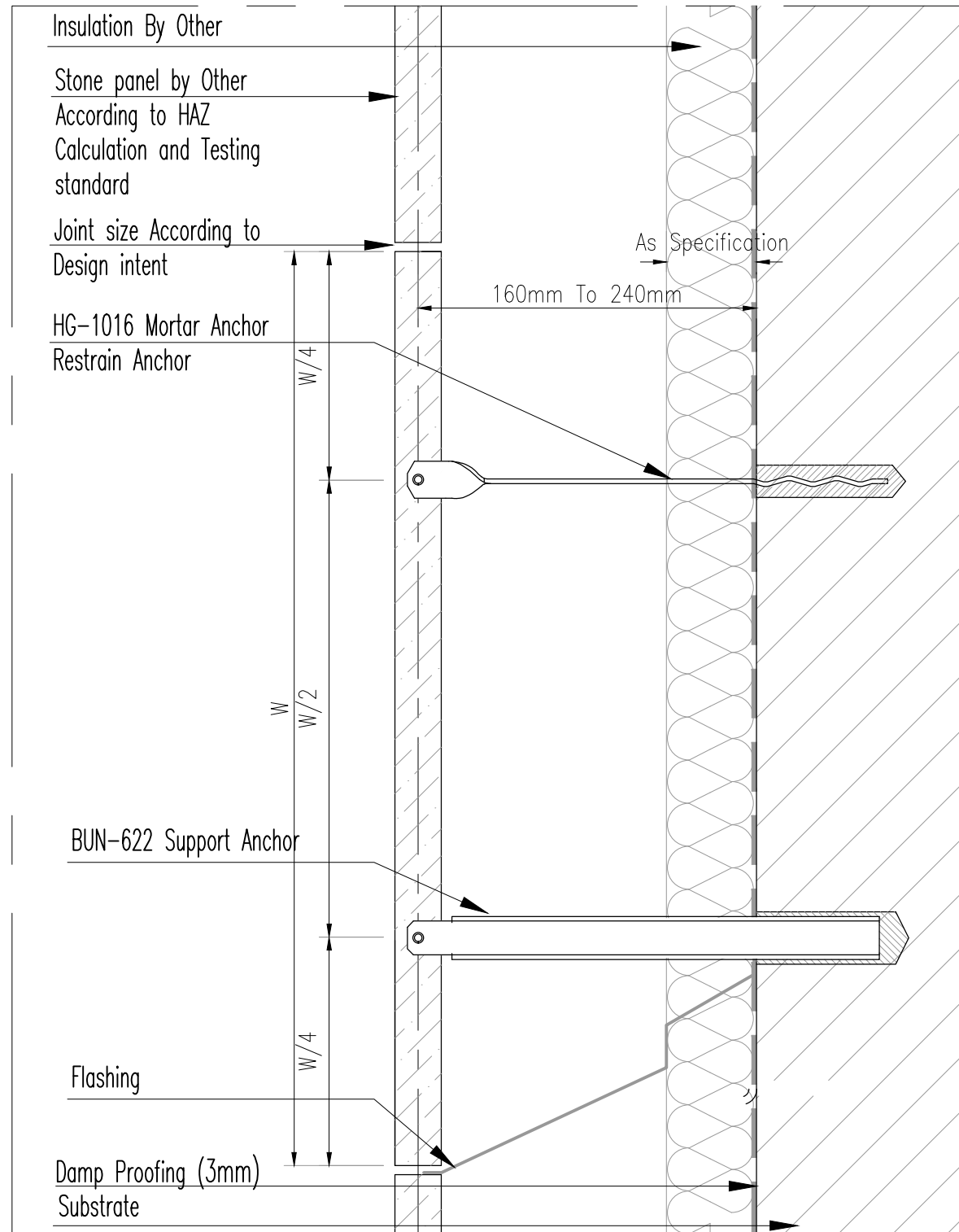
Elevation Scale 1:50



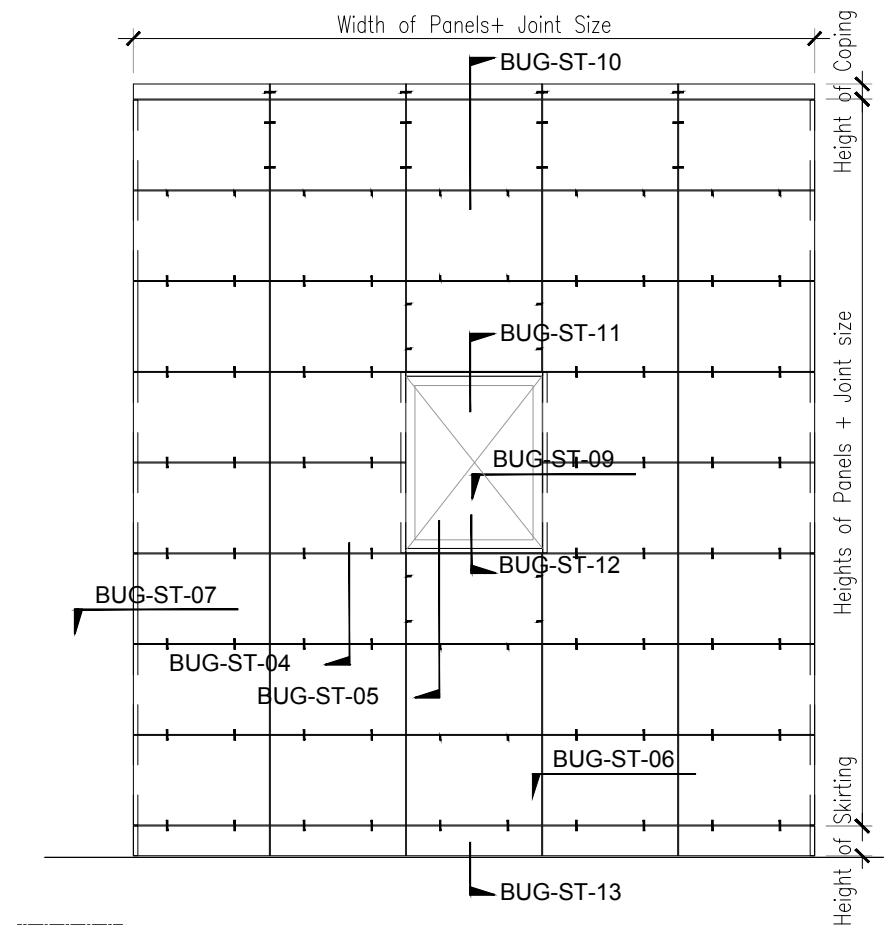
HAZ METAL Sanayi ve Ticaret A.S
 PO Box 241 31200 Iskenderun / Turkey
 Tel: +90 326 6262050 Faks: 6262045
 info@hazmetal.com / www.hazmetal.com.

Title :		Horizontal Joint Installation - Typical Stone Claddings / Rain Screen - Vertical Section				
Drawing No.		HAZCD-BUG-ST-04				
Series		Concept Drawings - Natural Stone Fixing System - BUG Support Anchors				
Revision	01	Scale	As Shown	Paper Size :	A3	Page : 4/14

BUG



Vertical section Scale 1:4



Elevation Scale 1:50



HAZ METAL Sanayi ve Ticaret A.S
PO Box 241 31200 Iskenderun / Turkey
Tel: +90 326 6262050 Faks: 6262045
info@hazmetal.com / www.hazmetal.com.

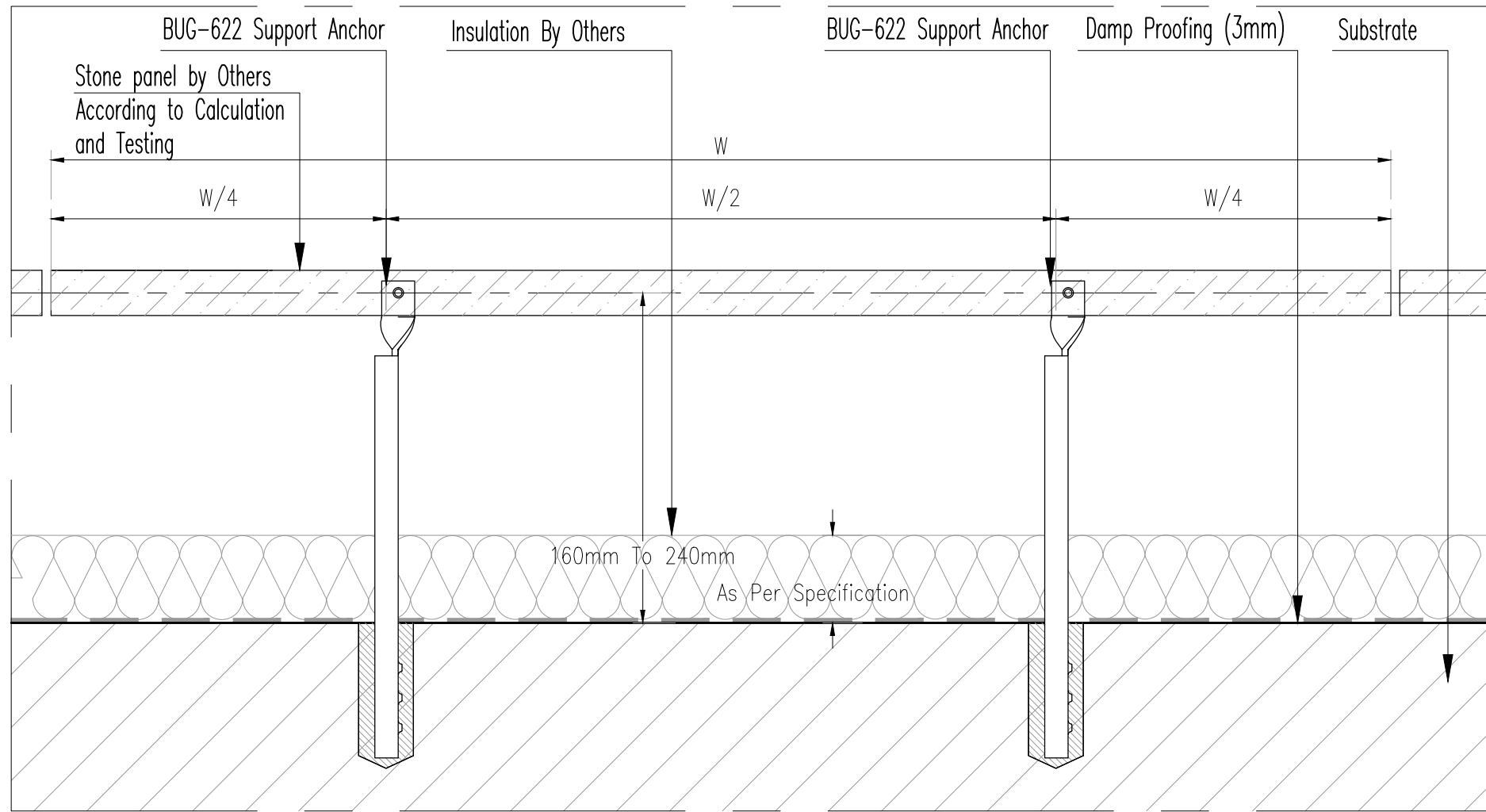
Title : Vertical Joint Installation - Typical Stone Claddings / Rain Screen - Vertical Section

Drawing No. HAZCD-BUG-ST-05

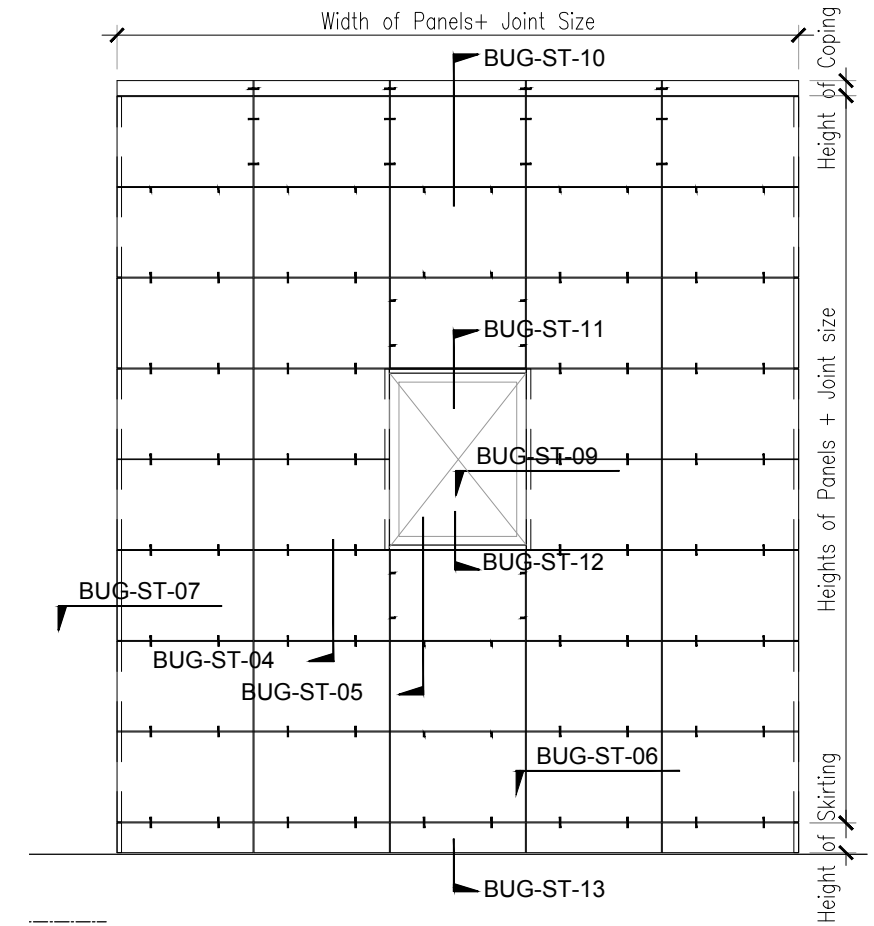
Series Concept Drawings - Natural Stone Fixing System - BUG Support Anchors

Revision	01	Scale	As Shown	Paper Size :	A3	Page :	5/14
----------	----	-------	----------	--------------	----	--------	------

BUG



Horizontal section Scale 1:4



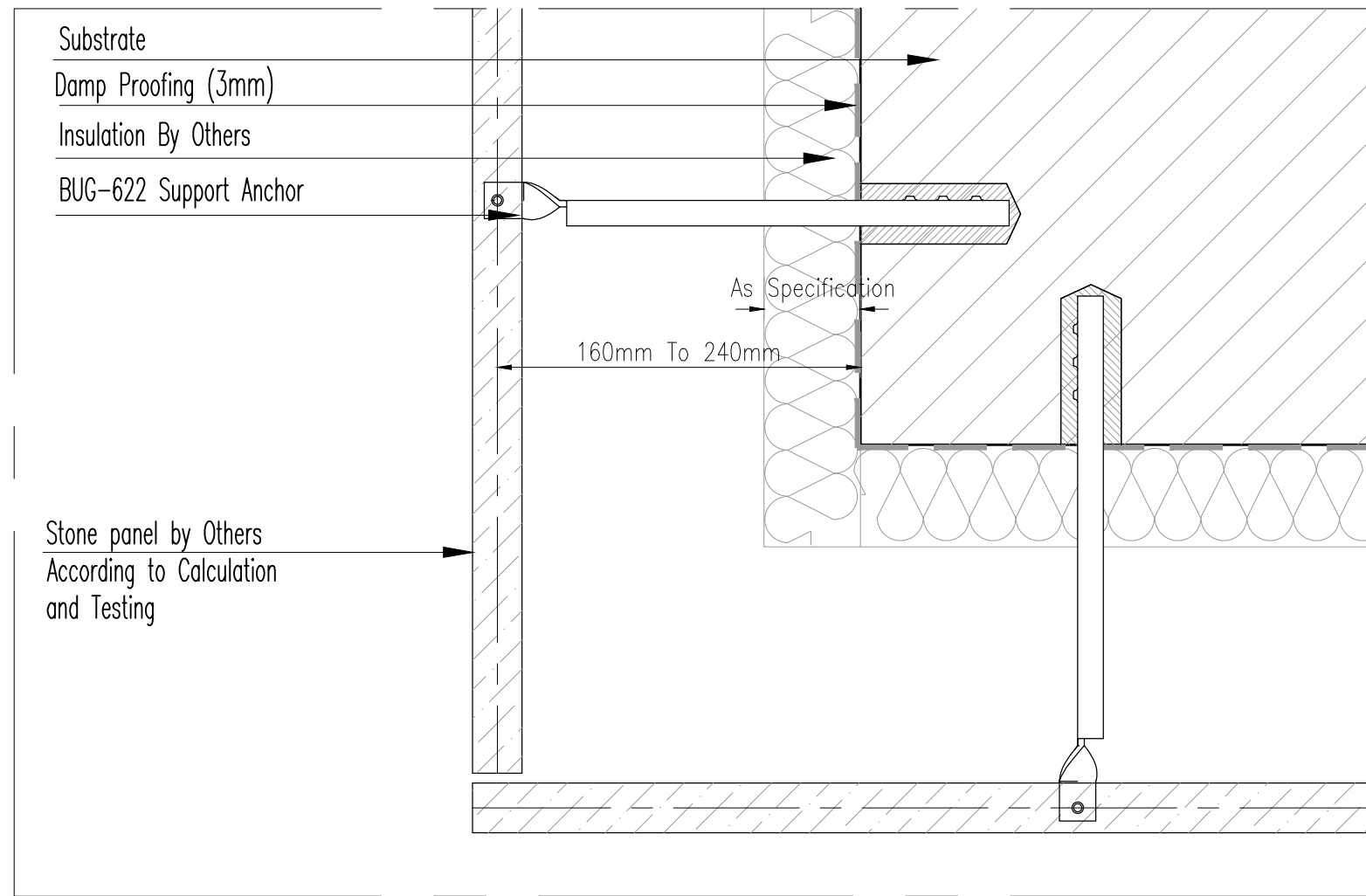
Elevation Scale 1:50



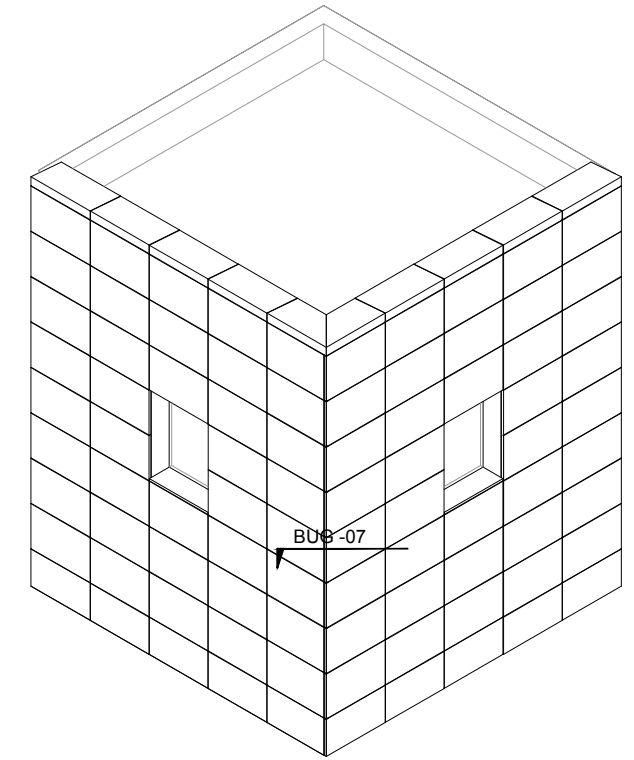
HAZ METAL Sanayi ve Ticaret A.S
 PO Box 241 31200 Iskenderun / Turkey
 Tel: +90 326 6262050 Faks: 6262045
 info@hazmetal.com / www.hazmetal.com.

Title :		Horizontal Joint Installation - Typical Stone Claddings / Rain Screen - Horizontal Section					
Drawing No.	HAZCD-BUG-ST-06						
Series	Concept Drawings - Natural Stone Fixing System - BUG Support Anchors						
Revision	01	Scale	As Shown	Paper Size :	A3	Page :	6/14

BUG



Horizontal section Scale 1:4



Isometric Scale 1:100



HAZ METAL Sanayi ve Ticaret A.S
PO Box 241 31200 Iskenderun / Turkey
Tel: +90 326 6262050 Faks: 6262045
info@hazmetal.com / www.hazmetal.com.

Title : Horizontal Joint Installation - External Corner Stone Cladding - Horizontal Section

Drawing No. HAZCD-BUG - ST-07

Series Concept Drawings - Natural Stone Fixing System - BUG Support Anchors

Revision

01

Scale

As Shown

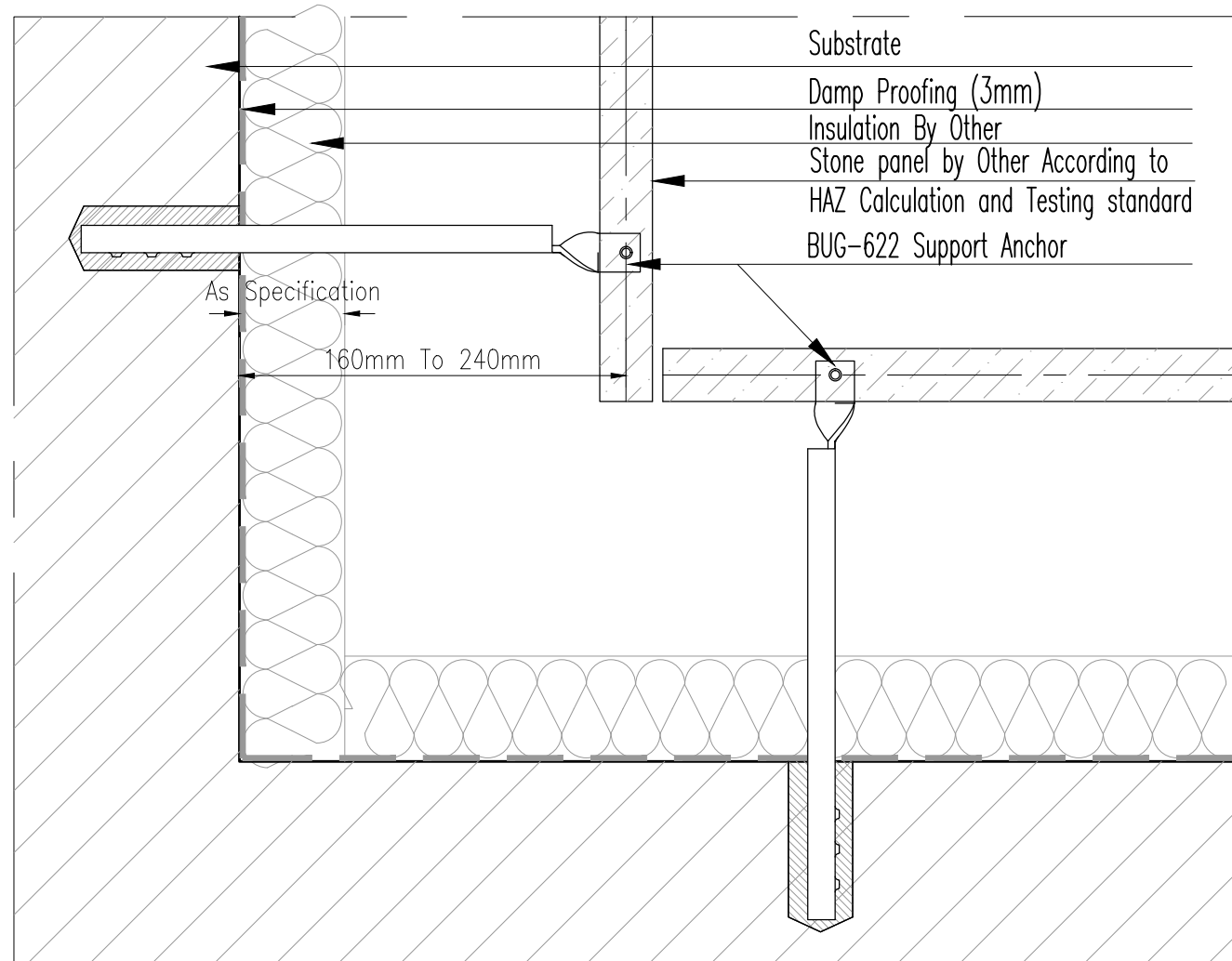
Paper Size :

A3

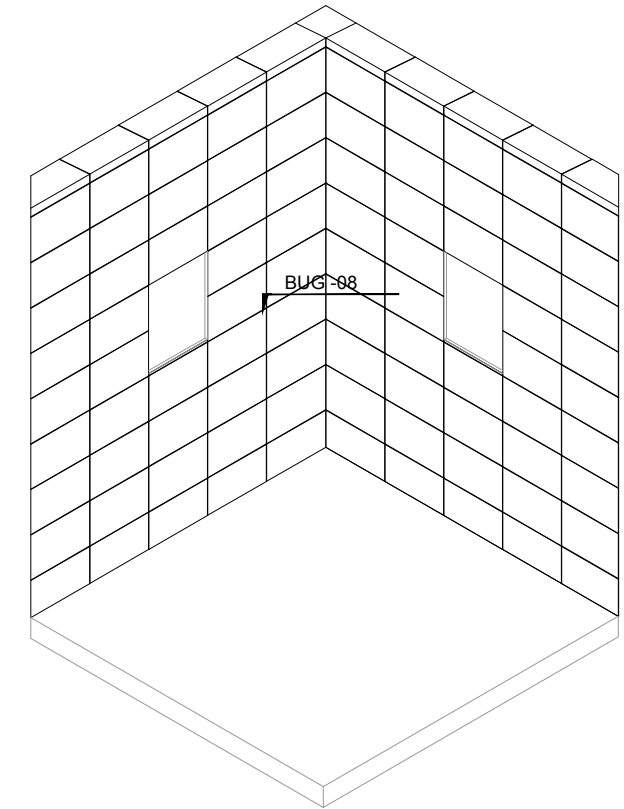
Page :

7/14

BUG



Horizontal section Scale 1:4



Isometric Scale 1:100



HAZ METAL Sanayi ve Ticaret A.S
PO Box 241 31200 Iskenderun / Turkey
Tel: +90 326 6262050 Faks: 6262045
info@hazmetal.com / www.hazmetal.com.

Title : Horizontal Joint Installation - Internal Corner Stone Cladding - Horizontal Section

Drawing No. HAZCD-BUG - ST-08

Series Concept Drawings - Natural Stone Fixing System - BUG Support Anchors

Revision

01

Scale

As Shown

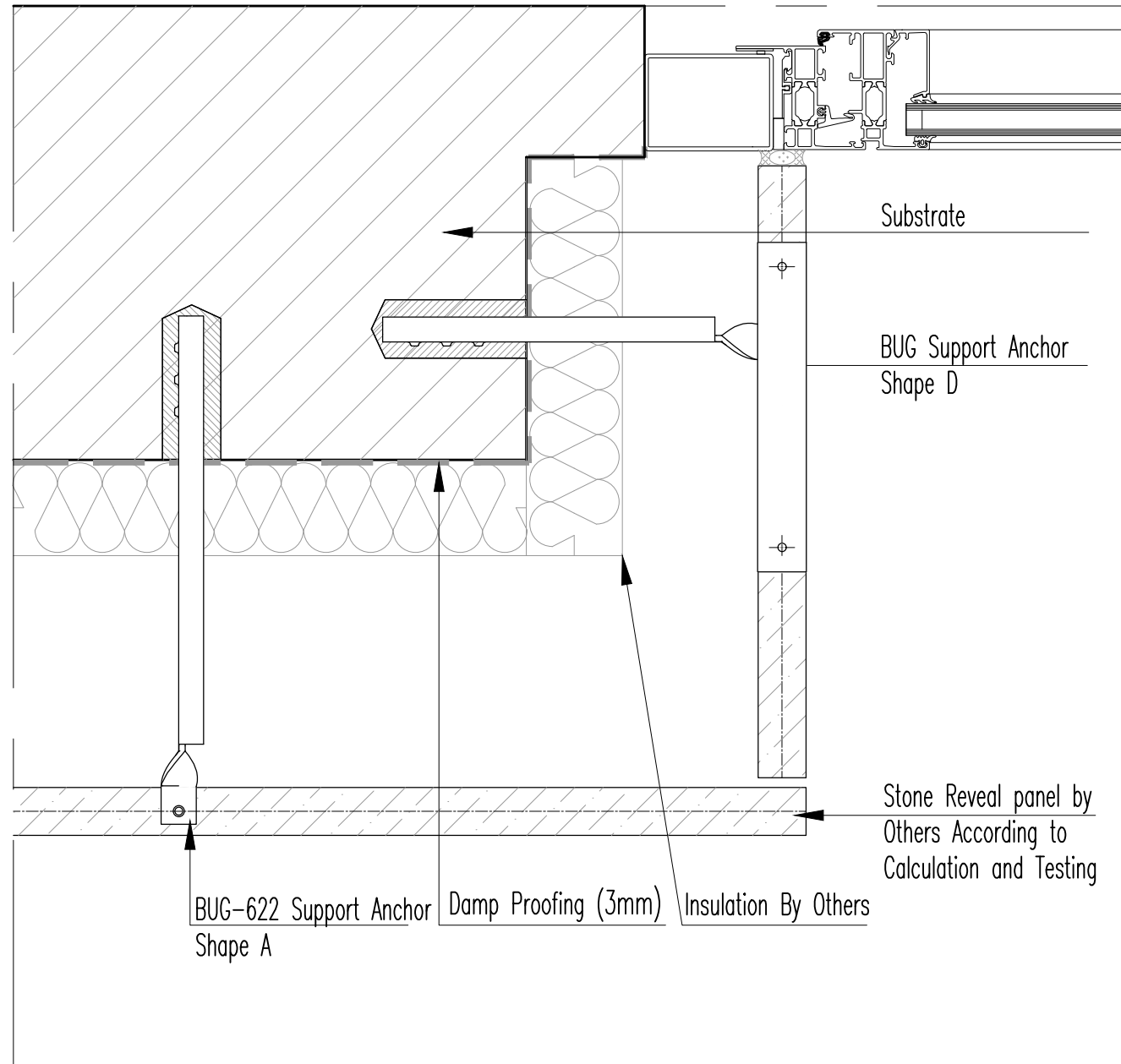
Paper Size :

A3

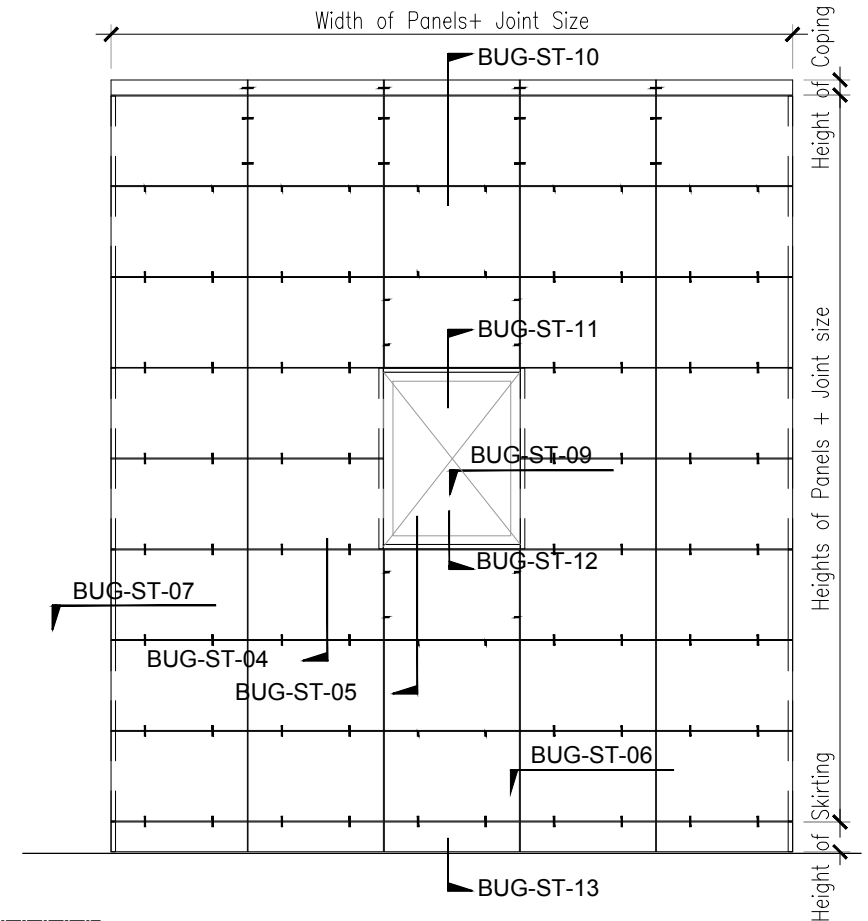
Page :

8/13

BUG



Horizontal section Scale 1:4



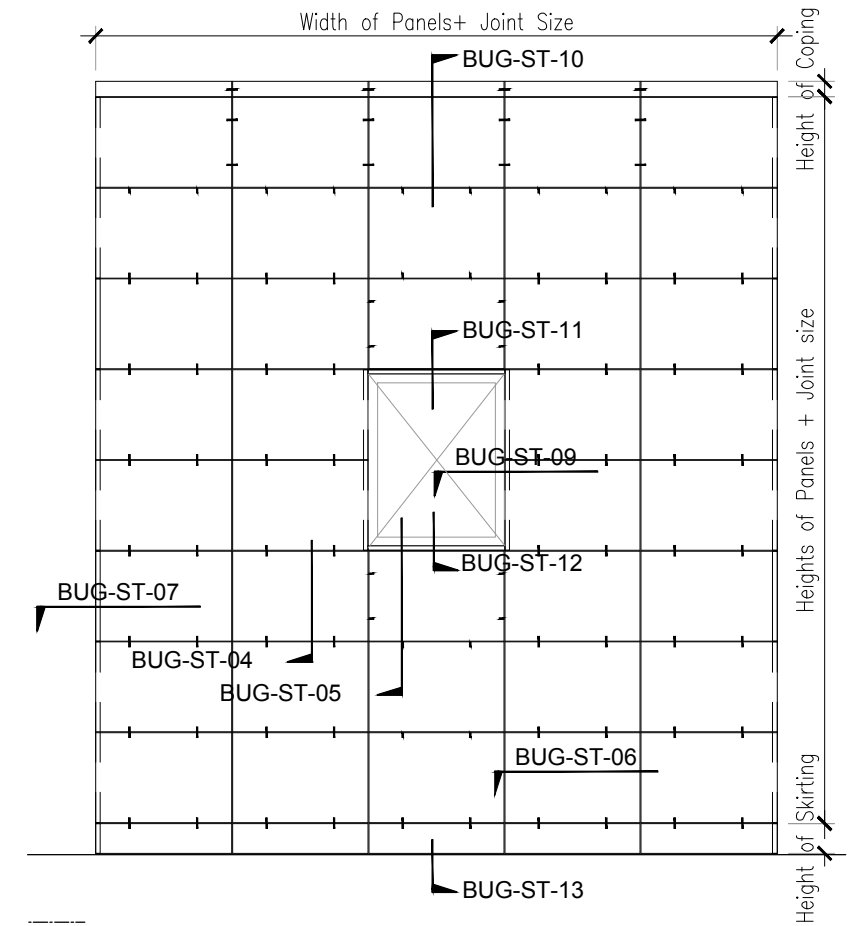
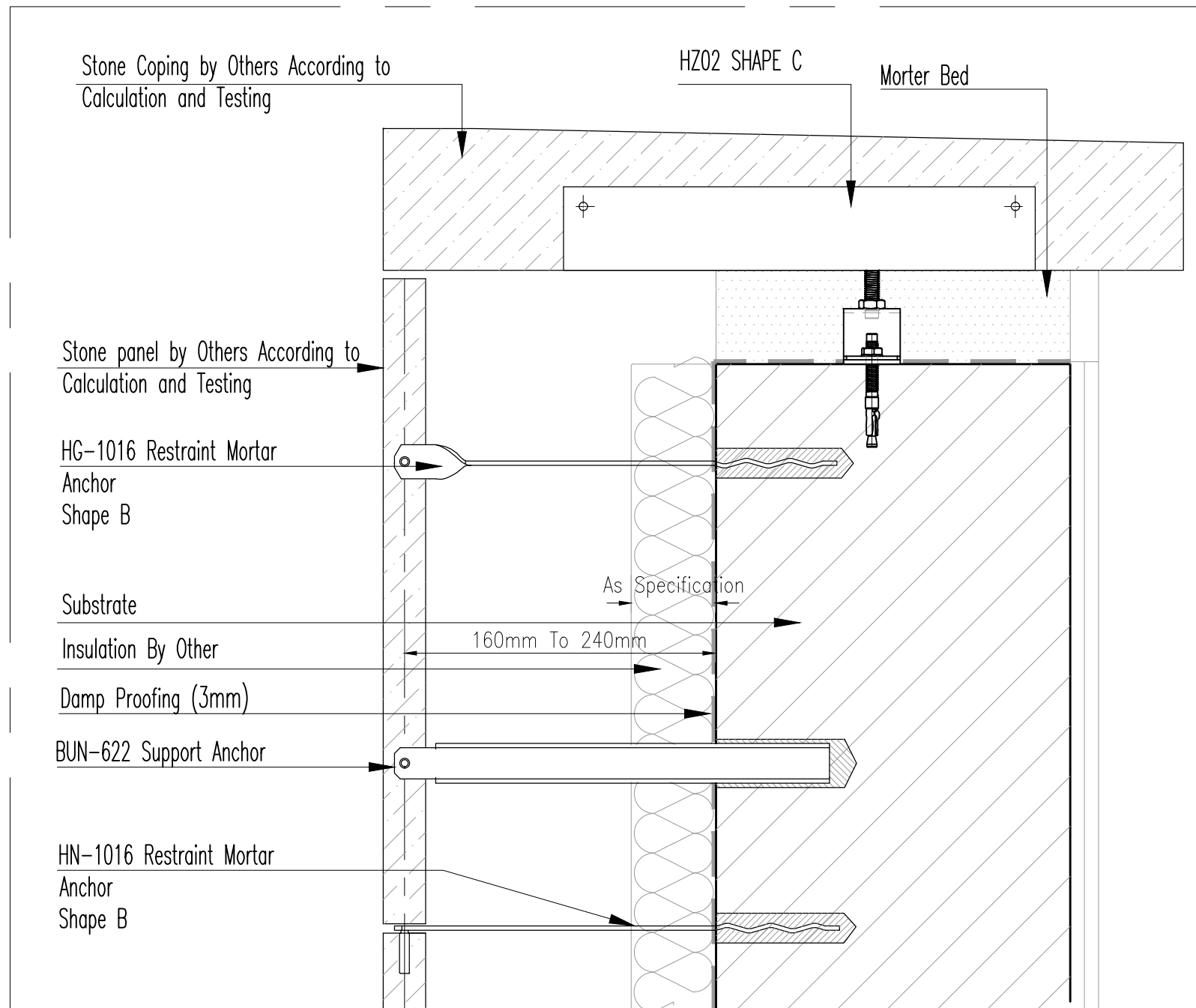
Elevation Scale 1:50



HAZ METAL Sanayi ve Ticaret A.S
 PO Box 241 31200 Iskenderun / Turkey
 Tel: +90 326 6262050 Faks: 6262045
 info@hazmetal.com / www.hazmetal.com.

Title :		Horizontal Joint Installation - Stone Reveal - Horizontal Section				
Drawing No.	HAZCD-BUG-ST-09					
Series	Concept Drawings - Natural Stone Fixing System - BUG Support Anchors					
Revision	01	Scale	As Shown	Paper Size :	A3	
				Page :	9/14	

BUG



HAZ METAL Sanayi ve Ticaret A.S
 PO Box 241 31200 Iskenderun / Turkey
 Tel: +90 326 6262050 Faks: 6262045
 info@hazmetal.com / www.hazmetal.com.

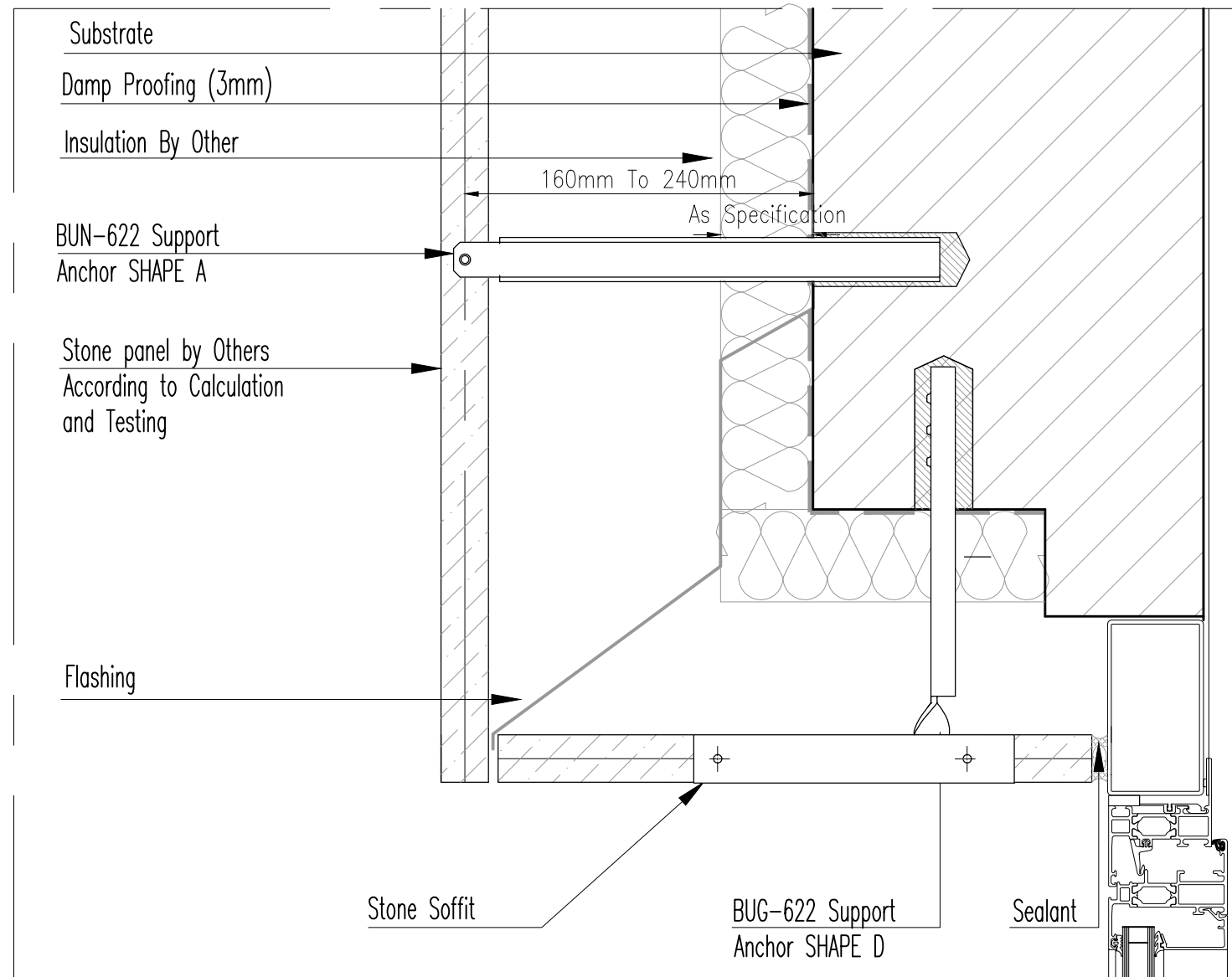
Title : Horizontal Joint Installation - Stone Coping - Vertical Section

Drawing No. HAZCD-BUG - ST-10

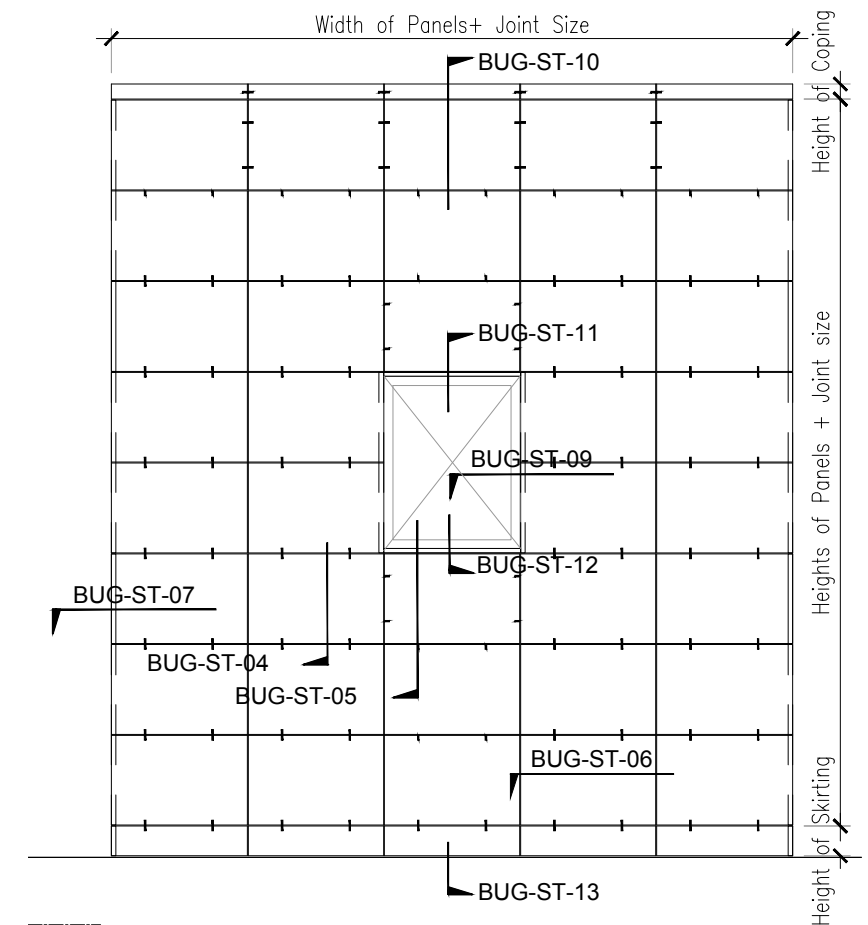
Series Concept Drawings - Natural Stone Fixing System - BUG Support Anchors

Revision	01	Scale	As Shown	Paper Size :	A3	Page :	10/14
----------	----	-------	----------	--------------	----	--------	-------

BUG



Vertical section Scale 1:4



Elevation Scale 1:50



HAZ METAL Sanayi ve Ticaret A.S
PO Box 241 31200 Iskenderun / Turkey
Tel: +90 326 6262050 Faks: 6262045
info@hazmetal.com / www.hazmetal.com.

Title : Horizontal Joint Installation - Stone Soffit - Vertical Section

Drawing No. HAZCD-BUG-ST-11

Series Concept Drawings - Natural Stone Fixing System - BUG Support Anchors

Revision

01

Scale

As Shown

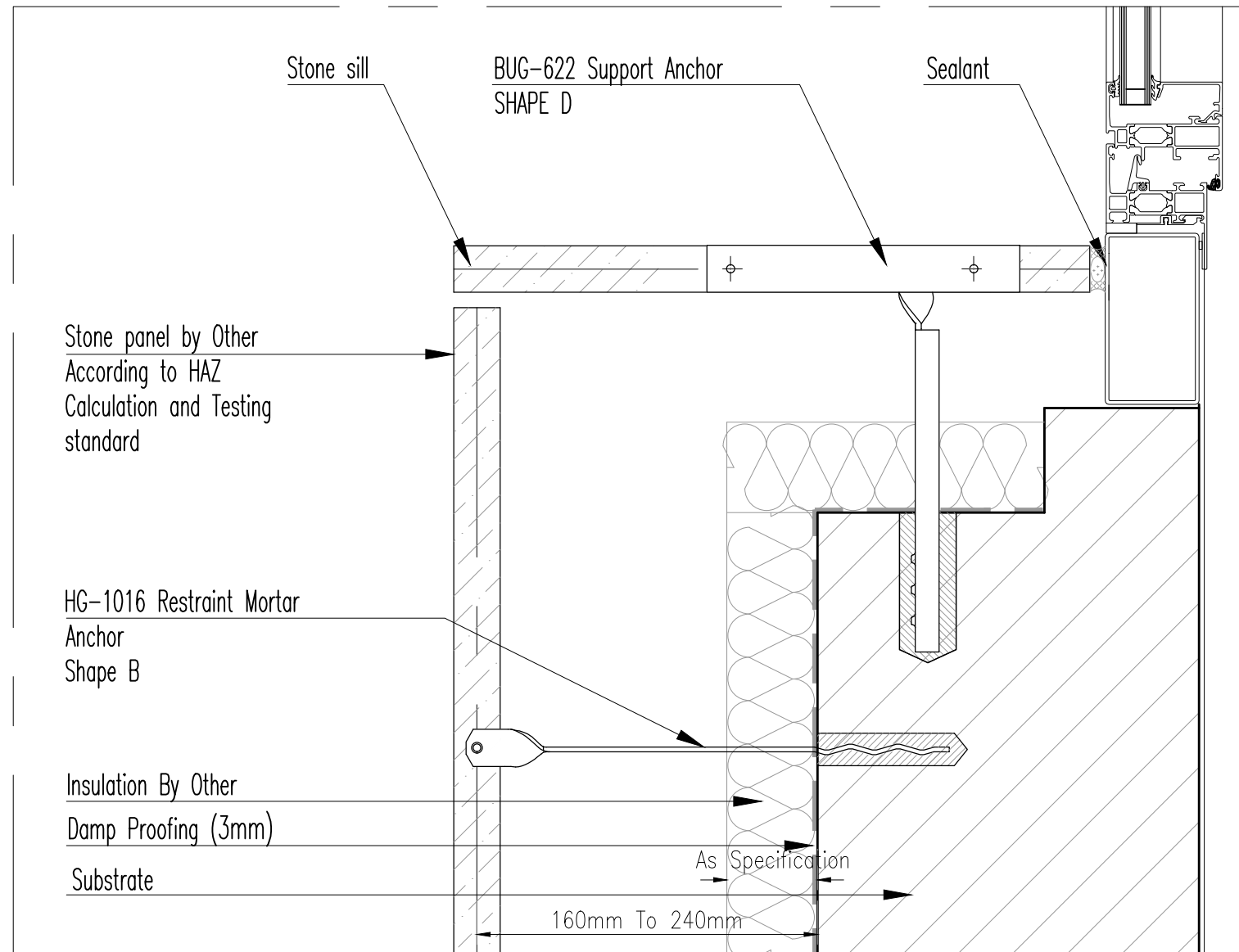
Paper Size :

A3

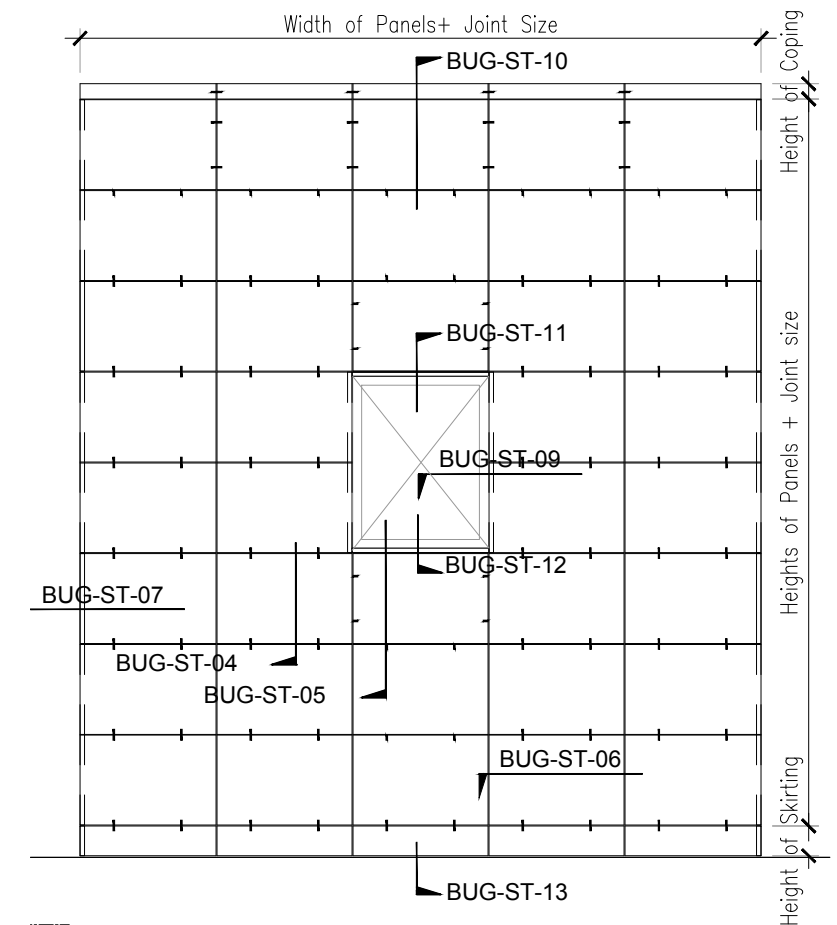
Page :

11/14

BUG



Vertical section Scale 1:4



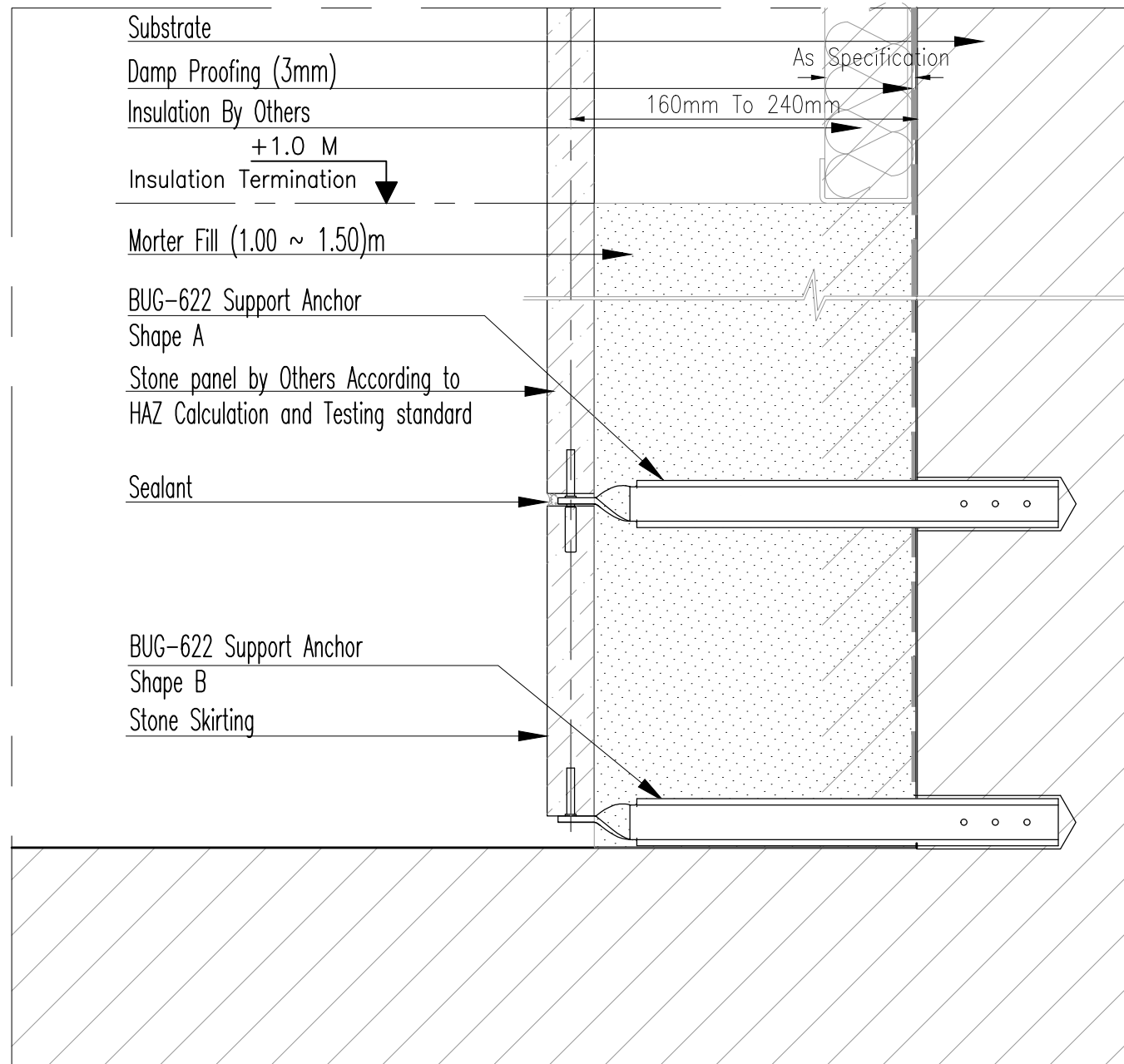
Elevation Scale 1:50



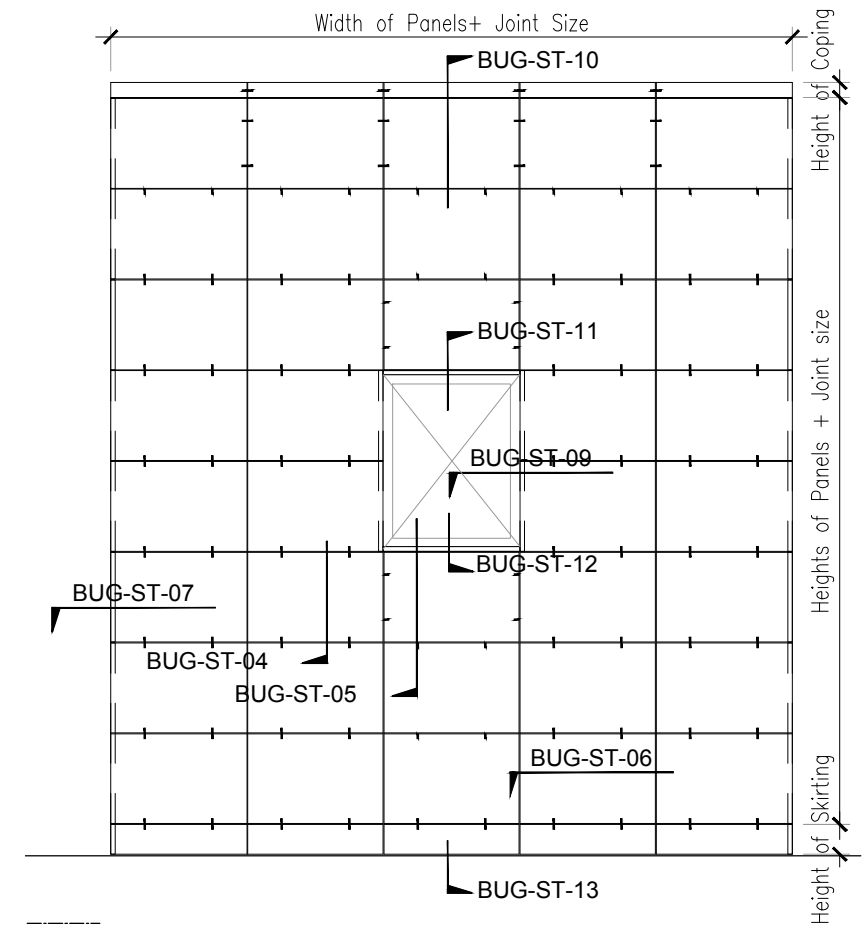
HAZ METAL Sanayi ve Ticaret A.S
PO Box 241 31200 Iskenderun / Turkey
Tel: +90 326 6262050 Faks: 6262045
info@hazmetal.com / www.hazmetal.com.

Title :		Horizontal Joint Installation - Stone Sill - Vertical Section				
Drawing No.		HAZCD-BUG-ST-12				
Series		Concept Drawings - Natural Stone Fixing System - BUG Support Anchors				
Revision	01	Scale	As Shown	Paper Size :	A3	Page : 12/14

BUG



Vertical section Scale 1:4



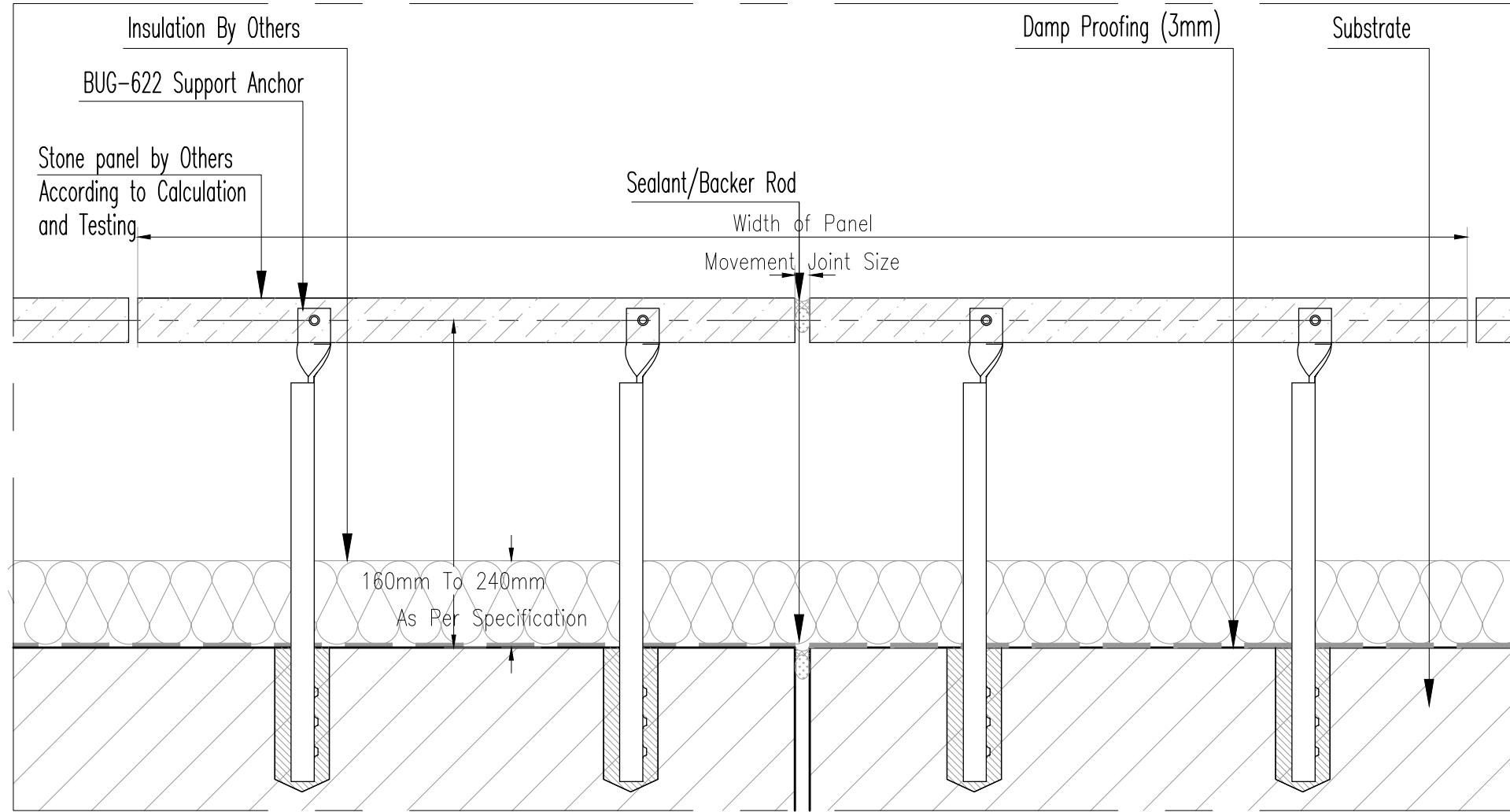
Elevation Scale 1:50



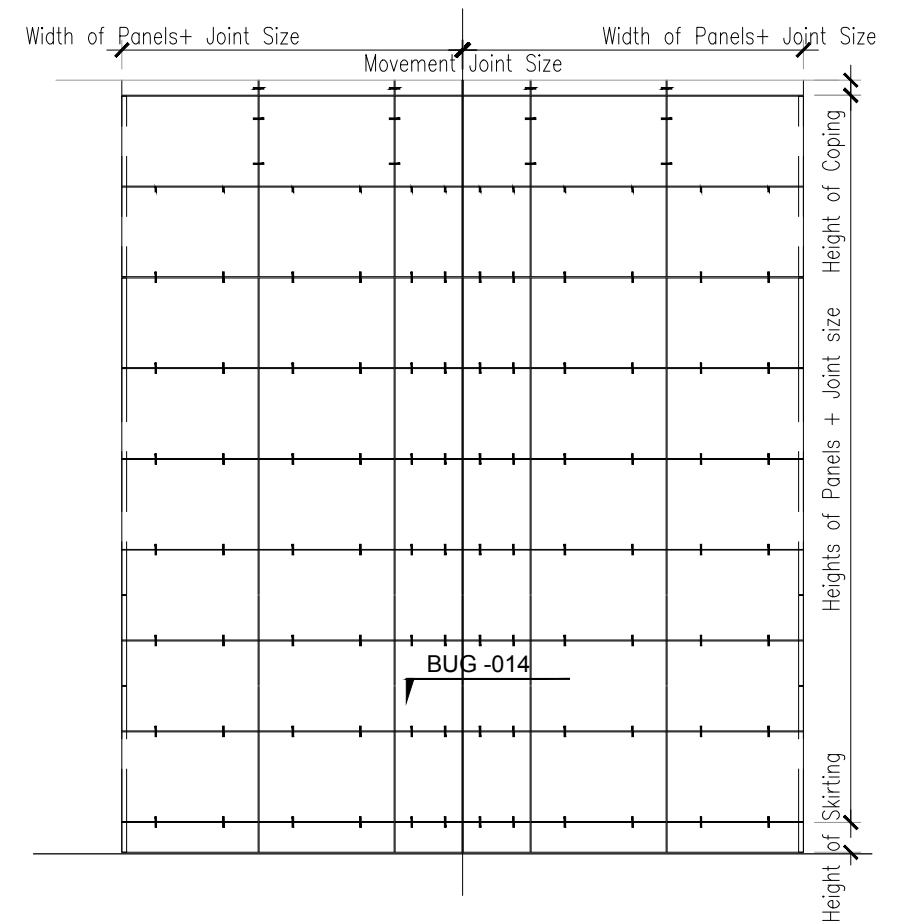
HAZ METAL Sanayi ve Ticaret A.S
 PO Box 241 31200 Iskenderun / Turkey
 Tel: +90 326 6262050 Faks: 6262045
 info@hazmetal.com / www.hazmetal.com.

Title :		Horizontal Joint Installation - Stone Skirting - Vertical Section				
Drawing No.	HAZCD-BUG-ST-13					
Series	Concept Drawings - Natural Stone Fixing System - BUG Support Anchors					
Revision	01	Scale	As Shown	Paper Size :	A3	
				Page :	13/14	

BUG



Horizontal section Scale 1:4



Variation on Typical Elevation
Scale 1:50



HAZ METAL Sanayi ve Ticaret A.S
PO Box 241 31200 Iskenderun / Turkey
Tel: +90 326 6262050 Faks: 6262045
info@hazmetal.com / www.hazmetal.com.

Title : Horizontal Joint Installation - Typical Stone Claddings - Movement Joint - Horizontal Section						
Drawing No.		HAZCD-BUG-ST-14				
Series		Concept Drawings - Natural Stone Fixing System - BUG Support Anchors				
Revision	01	Scale	As Shown	Paper Size :	A3	Page : 13/14