

HAZ METAL
FIXING SYSTEMS

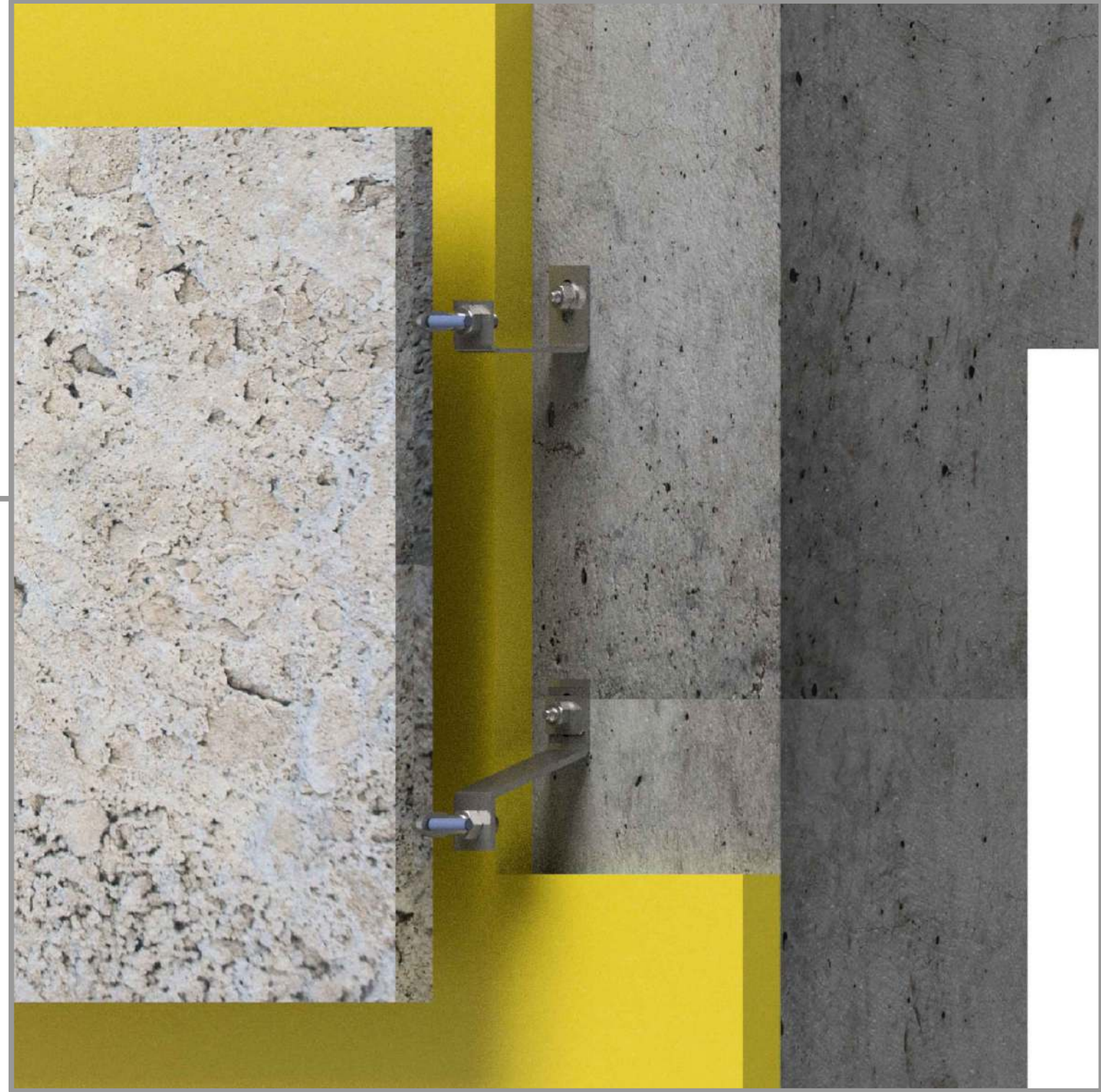
HZ01

HZ Z ANCHOR FIXING SYSTEM

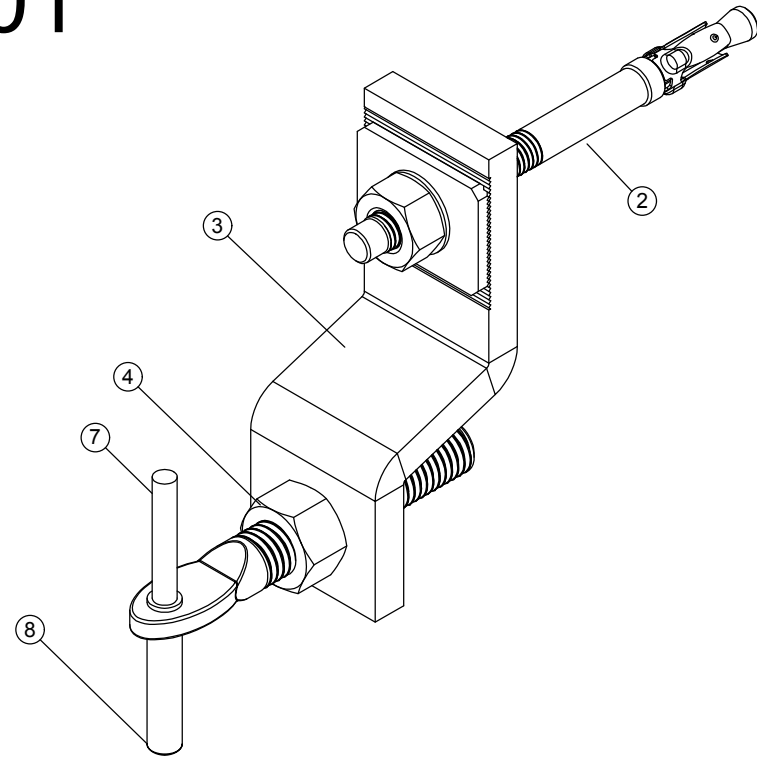
Concept Drawings

Series: HAZCD-HZ01-ST

Direct Fixing System For Rain Screen
Stone Cladding System for Installation at
Vertical and Horizontal Joints

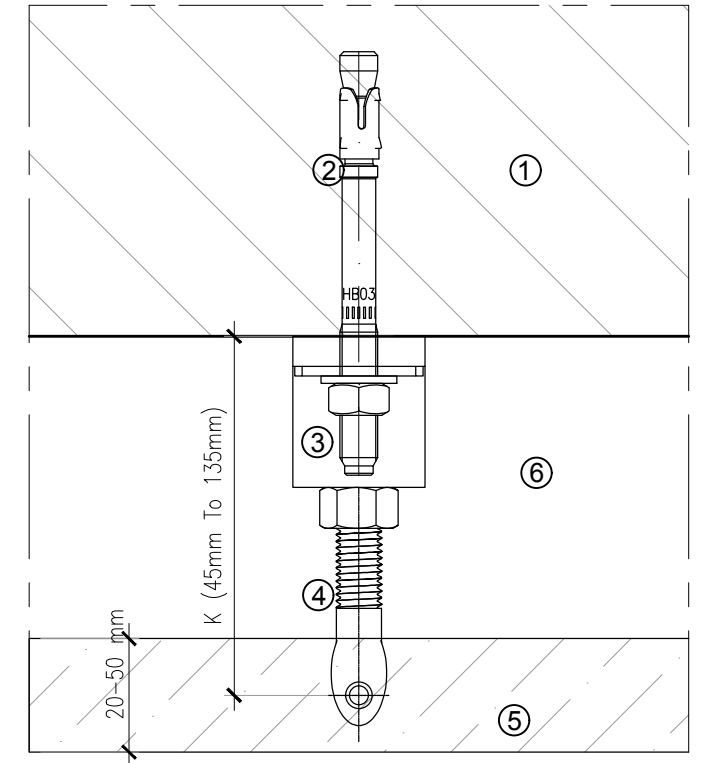


HZ01

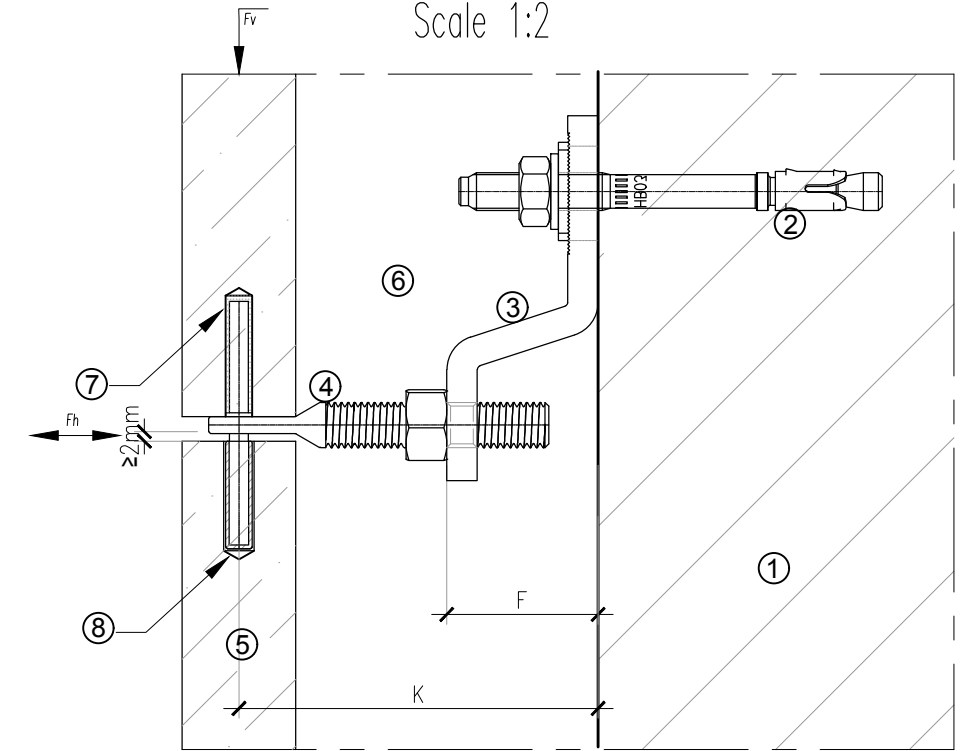


Legend	
1	Substrate
2	Anchor Bolt
3	Anchor Body
4	Adjustable Arm
5	Stone Cladding Panel
6	Cavity
7	FLANGED PIN
8	PLASTIC TUBE

Product Code	Projection K(mm)	Perm. Load Fv(kN)	Wind Load Fv(kN)	Body size (mm)	Adjustable arm (mm)	Bolt size (Metric)
HZ01-452	45	200	312	4X30XF10	M10X60	M8
HZ01-552	55					
HZ01-752	75					
HZ01-952	95					
HZ01-553	55	300	468	5X35XF20	M12X70	M10
HZ01-753	75					
HZ01-953	95					
HZ01-1153	115					
HZ01-554	55	400	624	5X45XF10	M12X80	M10
HZ01-754	75					
HZ01-954	95					
HZ01-1154	115					
HZ01-755	75	500	780	6X45XF20	M12X90	M10
HZ01-955	95					
HZ01-1155	115					
HZ01-1355	135					



Scale 1:2



Scale 1:2



HAZ METAL Sanayi ve Ticaret A.S
PO Box 241 31200 Iskenderun / Turkey
Tel: +90 326 6262050 Faks: 6262045
info@hazmetal.com / www.hazmetal.com.

Title : Natural Stone Facade - Built-up Cavity Wall - System HZ01 Specification

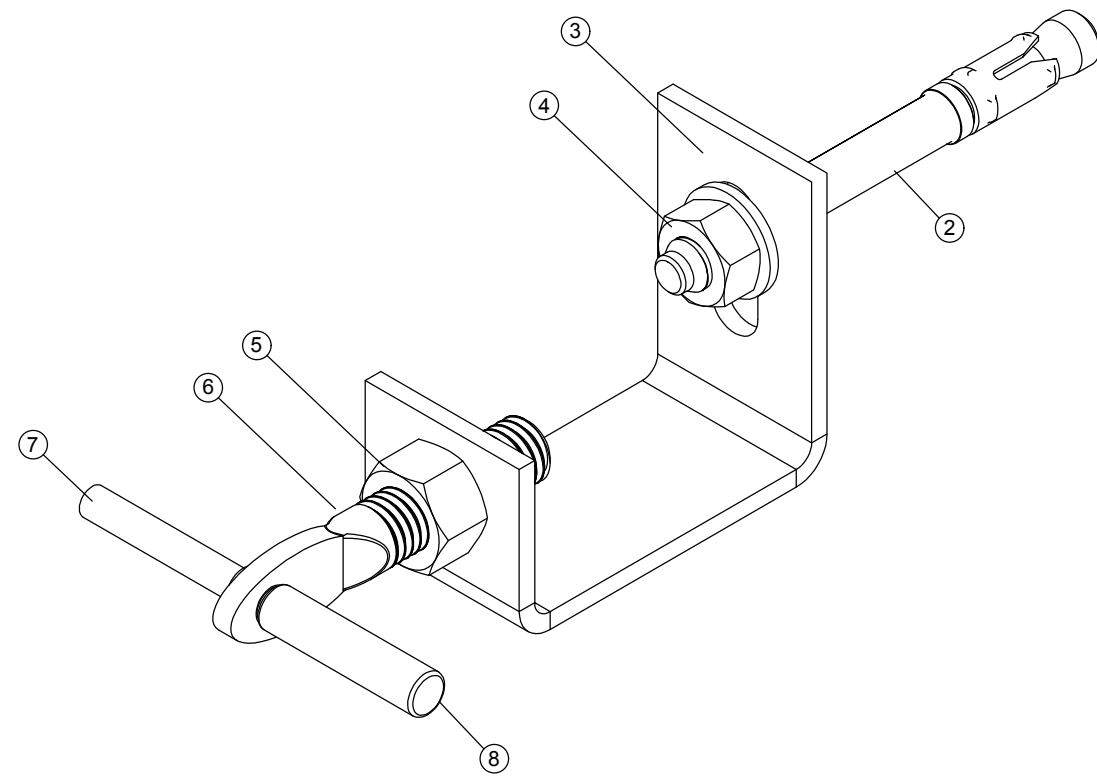
Drawing No. HAZCD-HZ01-ST-01

Series Concept Drawings - Natural Stone Fixing System - HZ01 Support Anchors

Revision 01 scale As Shown

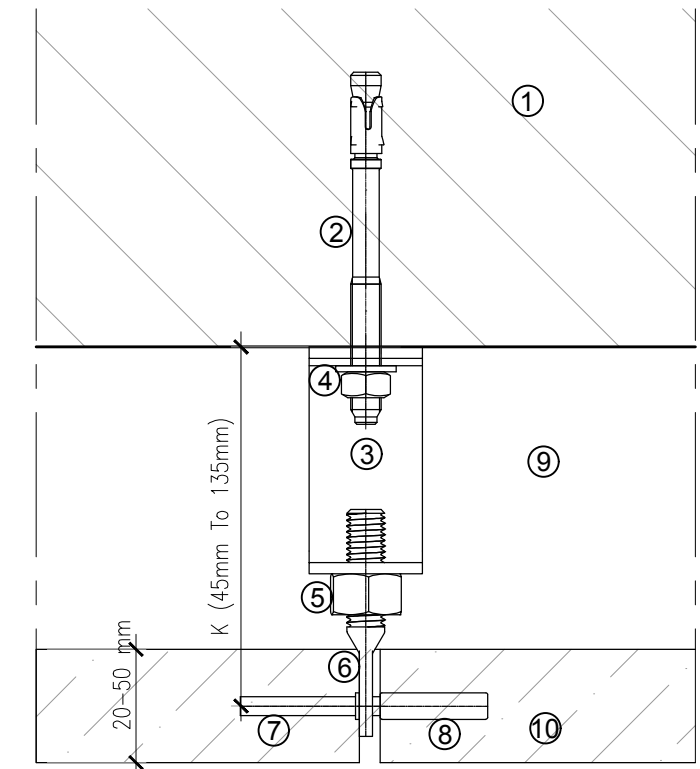
Page : 1/13

HRS01

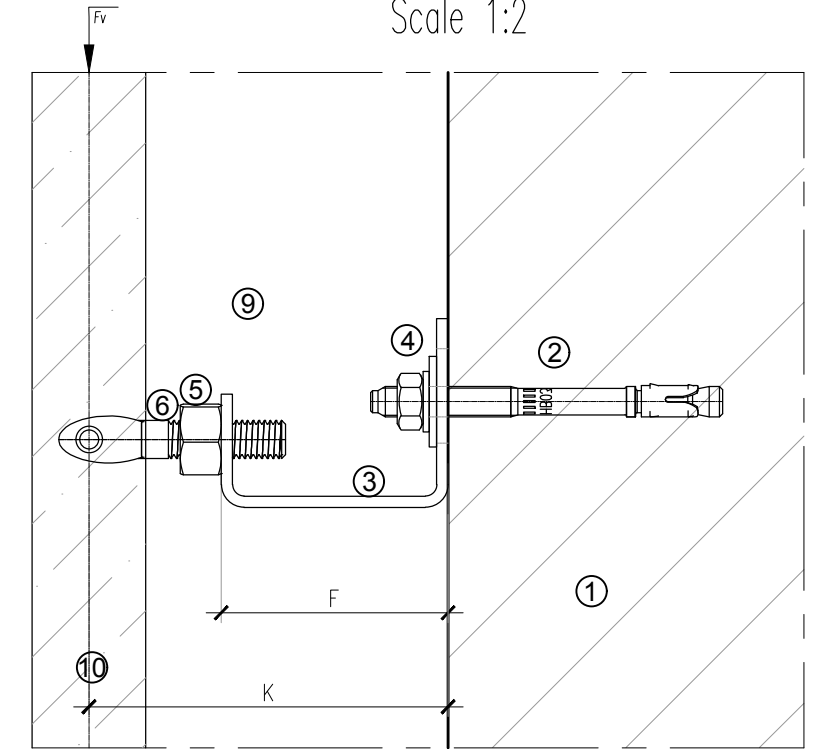


Legend	
1	Substrate
2	Anchor Bolt
3	Anchor Body
4	Hex Nut for Bolt
5	Hex Nut for Adjustable Arm
6	Adjustable Arm
7	Flanged Pin
8	Plastic Tube
9	Cavity
10	Stone Cladding Panel

Product Code	Projection K(mm)	Wind Load Fv(kN)	Body size (mm)	Adjustable arm (mm)	Bolt size (Metric)
HRS1-S-33020-10	55	312	3X30XF20	M10X60	M8
HRS1-S-33040-10	75		3X30XF40		
HRS1-S-33060-10	95		3X30XF60		
HRS1-S-33080-10	115		3X30XF80		
HRS1-S-330100-10	135		3X30XF100		



Scale 1:2



Scale 1:2



HAZ METAL Sanayi ve Ticaret A.S
PO Box 241 31200 Iskenderun / Turkey
Tel: +90 326 6262050 Faks: 6262045
info@hazmetal.com / www.hazmetal.com.

Title : Natural Stone Facade - Built-up Cavity Wall - System HRS01 Specification

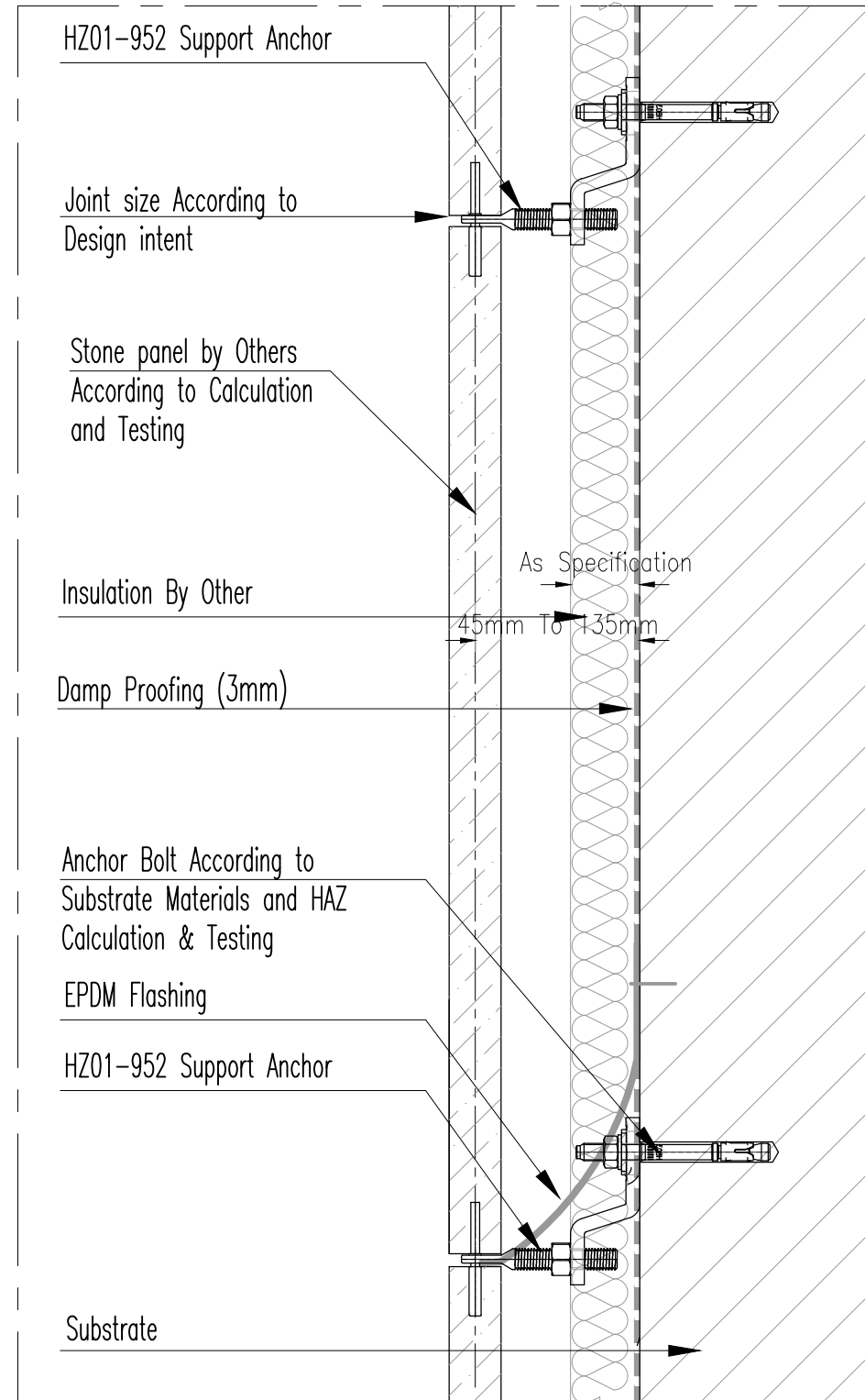
Drawing No. HAZCD-HRS01 - ST-02

Series Concept Drawings - Natural Stone Fixing System - HRS01 Restraint Anchor

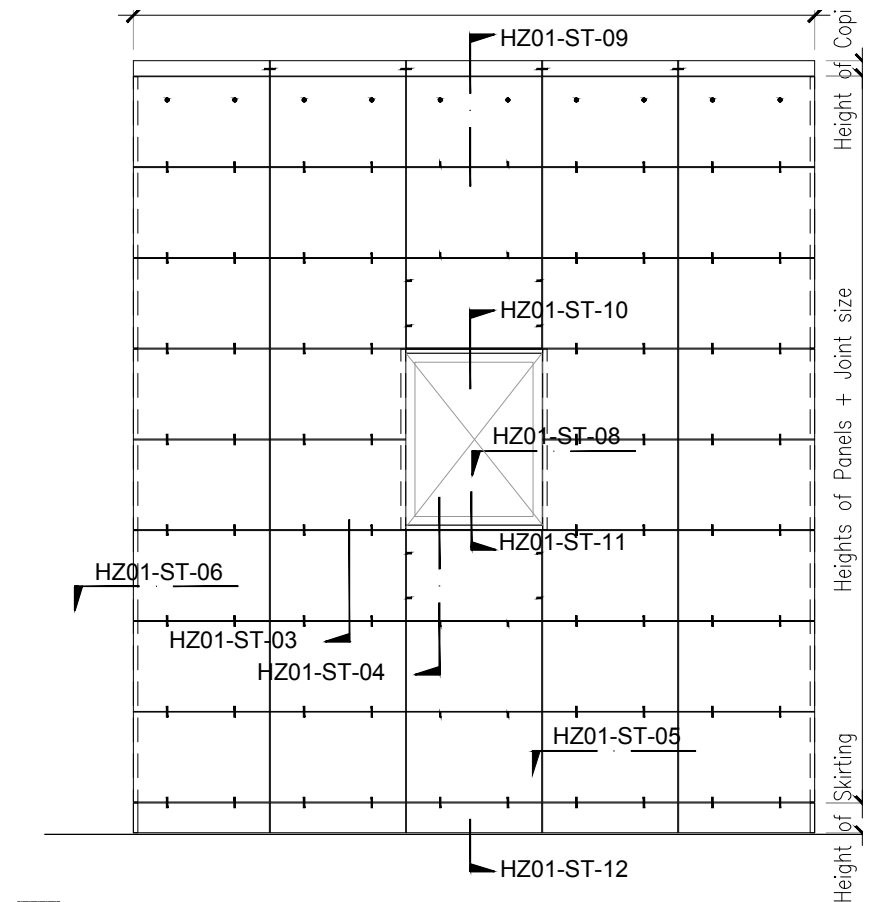
Revision 01 scale As Shown

Page : 2/13

HZ01



Vertical section Scale 1:4



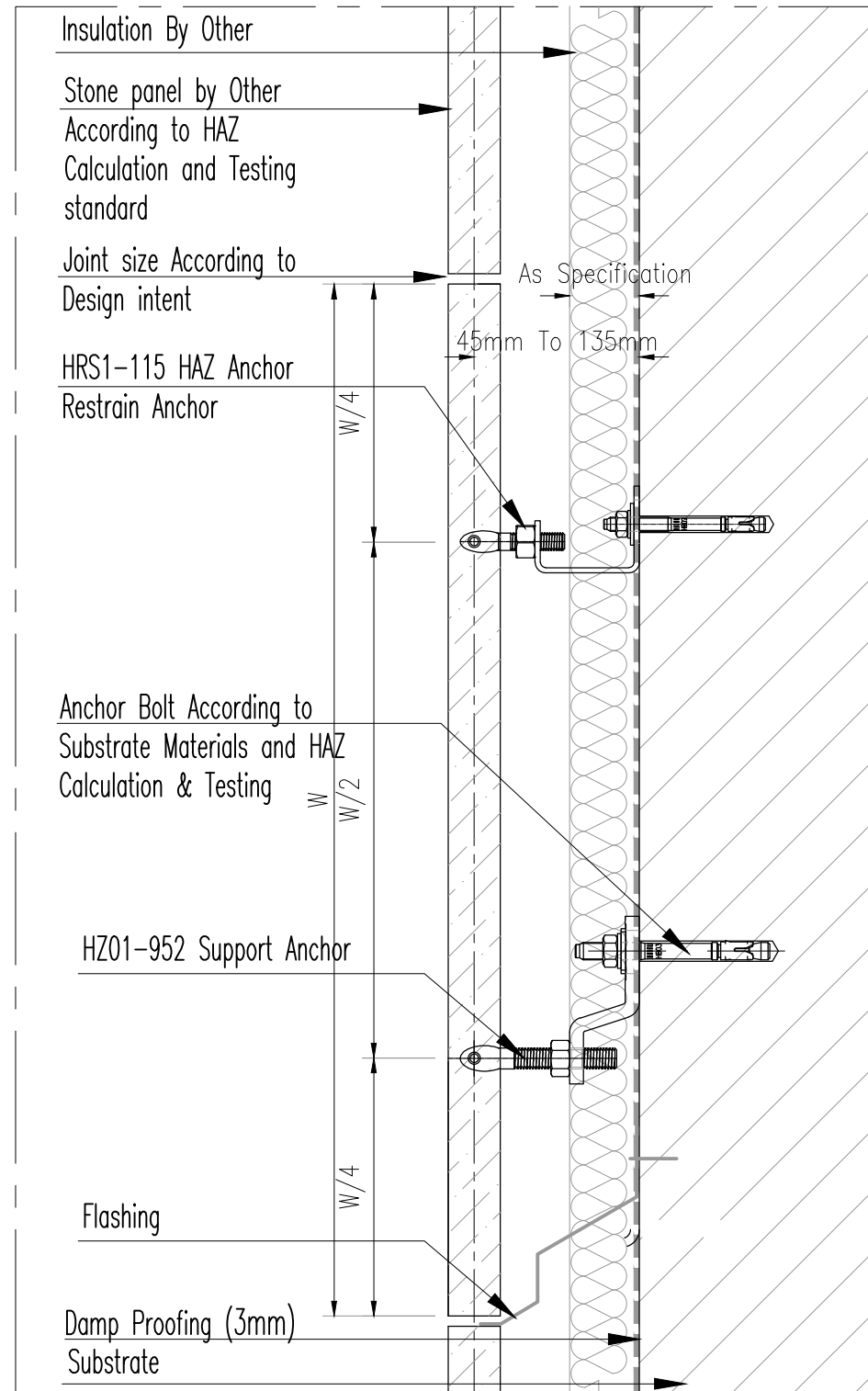
Elevation Scale 1:50



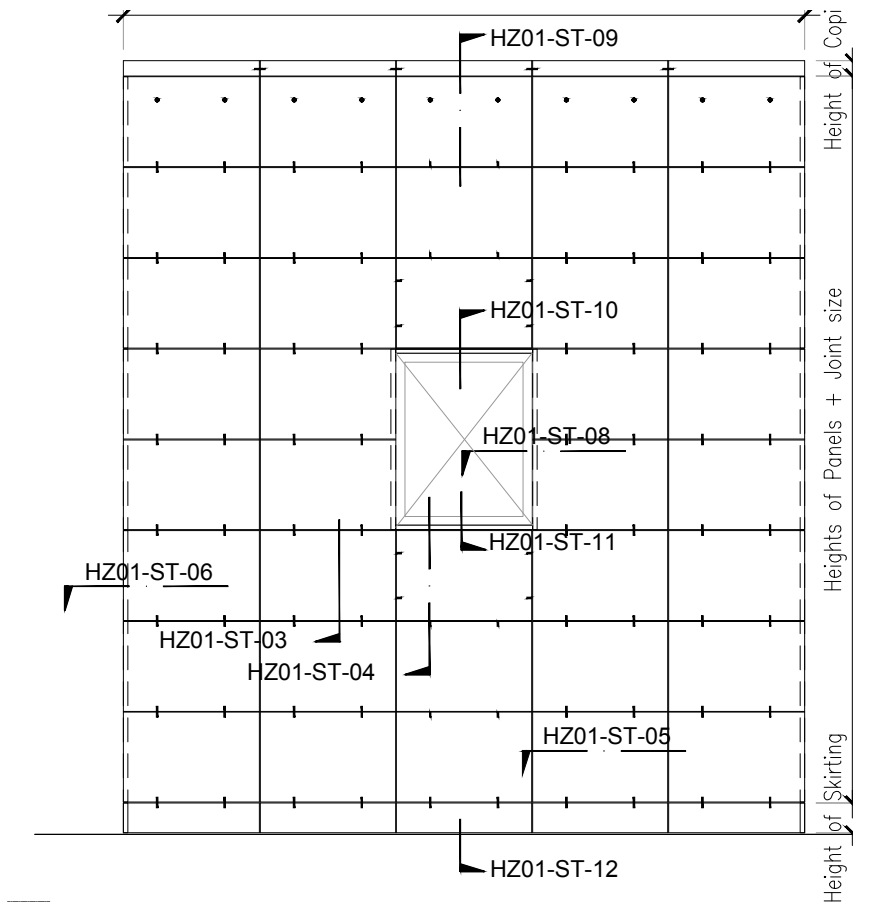
HAZ METAL Sanayi ve Ticaret A.S
 PO Box 241 31200 Iskenderun / Turkey
 Tel: +90 326 6262050 Faks: 6262045
 info@hazmetal.com / www.hazmetal.com.

Title :		Horizontal Joint Installation - Typical Stone Claddings / Rain Screen - Vertical Section		
Drawing No.	HAZCD-HZ01 - ST-03			
Series	Concept Drawings - Natural Stone Fixing System - HZ01 Support Anchors			
Revision	01	scale	As Shown	Page : 3/13

HZ01



Vertical section Scale 1:4



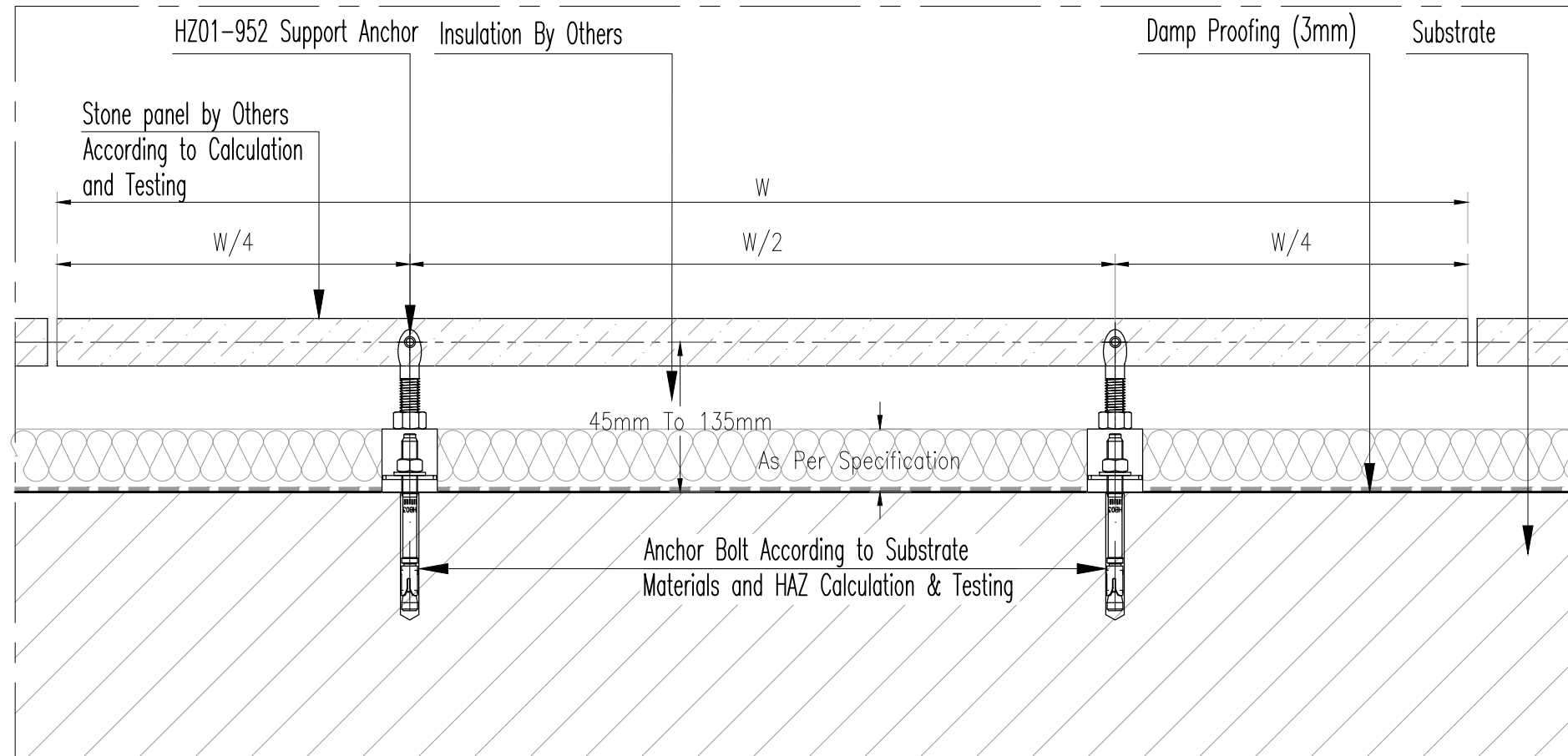
Elevation Scale 1:50



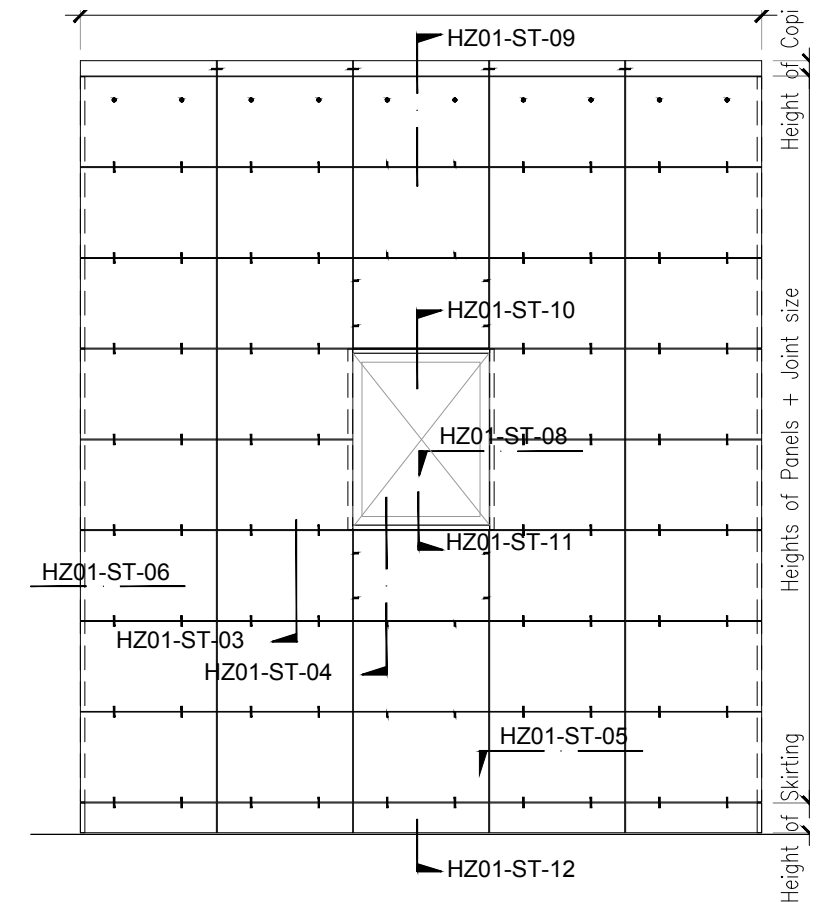
HAZ METAL Sanayi ve Ticaret A.S
 PO Box 241 31200 Iskenderun / Turkey
 Tel: +90 326 6262050 Faks: 6262045
 info@hazmetal.com / www.hazmetal.com.

Title :		Vertical Joint Installation - Typical Stone Claddings / Rain Screen - Vertical Section		
Drawing No.	HAZCD-HZ01 - ST-04			
Series	Concept Drawings - Natural Stone Fixing System - HZ01 Support Anchors			
Revision	01	scale	As Shown	Page : 4/13

HZ01



Horizontal section Scale 1:4



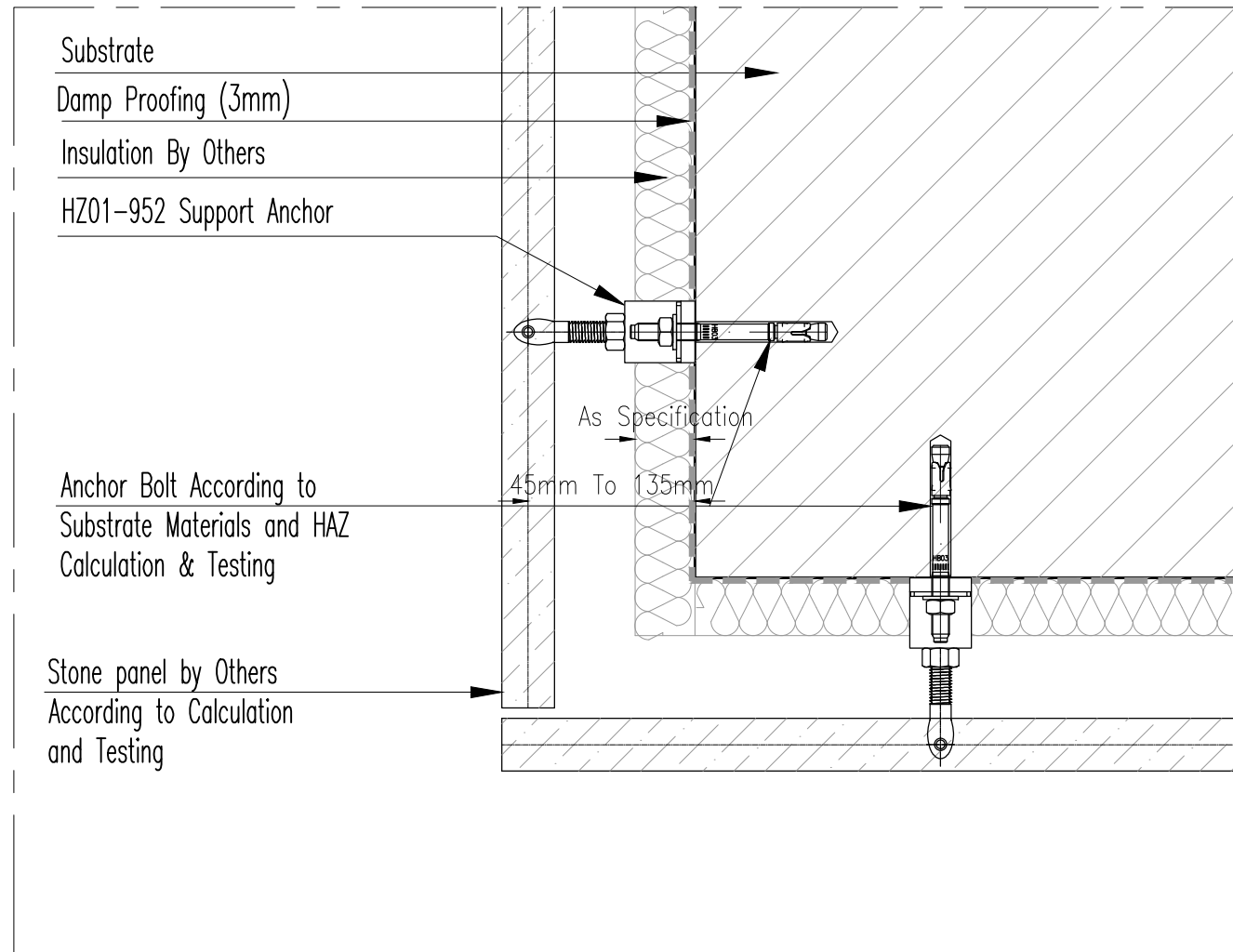
Elevation Scale 1:50



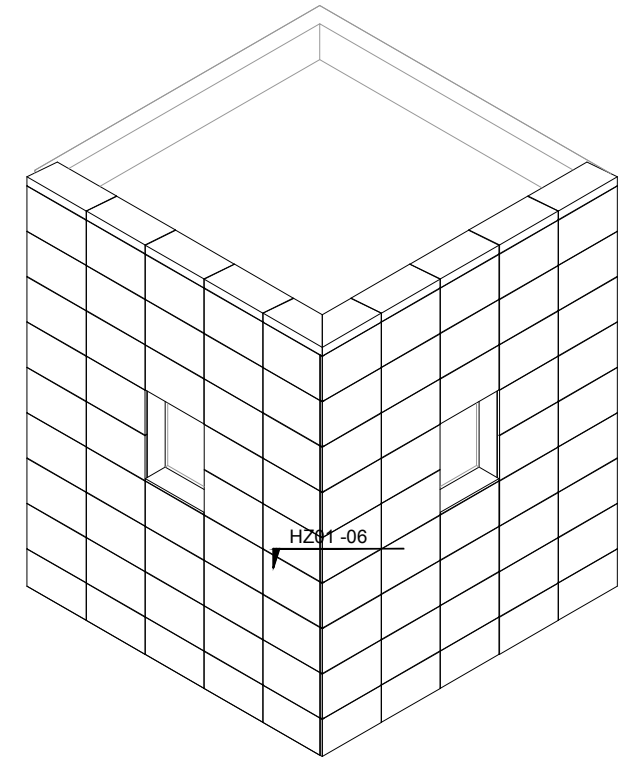
HAZ METAL Sanayi ve Ticaret A.S
 PO Box 241 31200 Iskenderun / Turkey
 Tel: +90 326 6262050 Faks: 6262045
 info@hazmetal.com / www.hazmetal.com.

Title :		Horizontal Joint Installation - Typical Stone Claddings / Rain Screen - Horizontal Section		
Drawing No.	HAZCD-HZ01 - ST-05			
Series	Concept Drawings - Natural Stone Fixing System - HZ01 Support Anchors			
Revision	01	scale	As Shown	Page : 5/13

HZ01



Horizontal section Scale 1:4



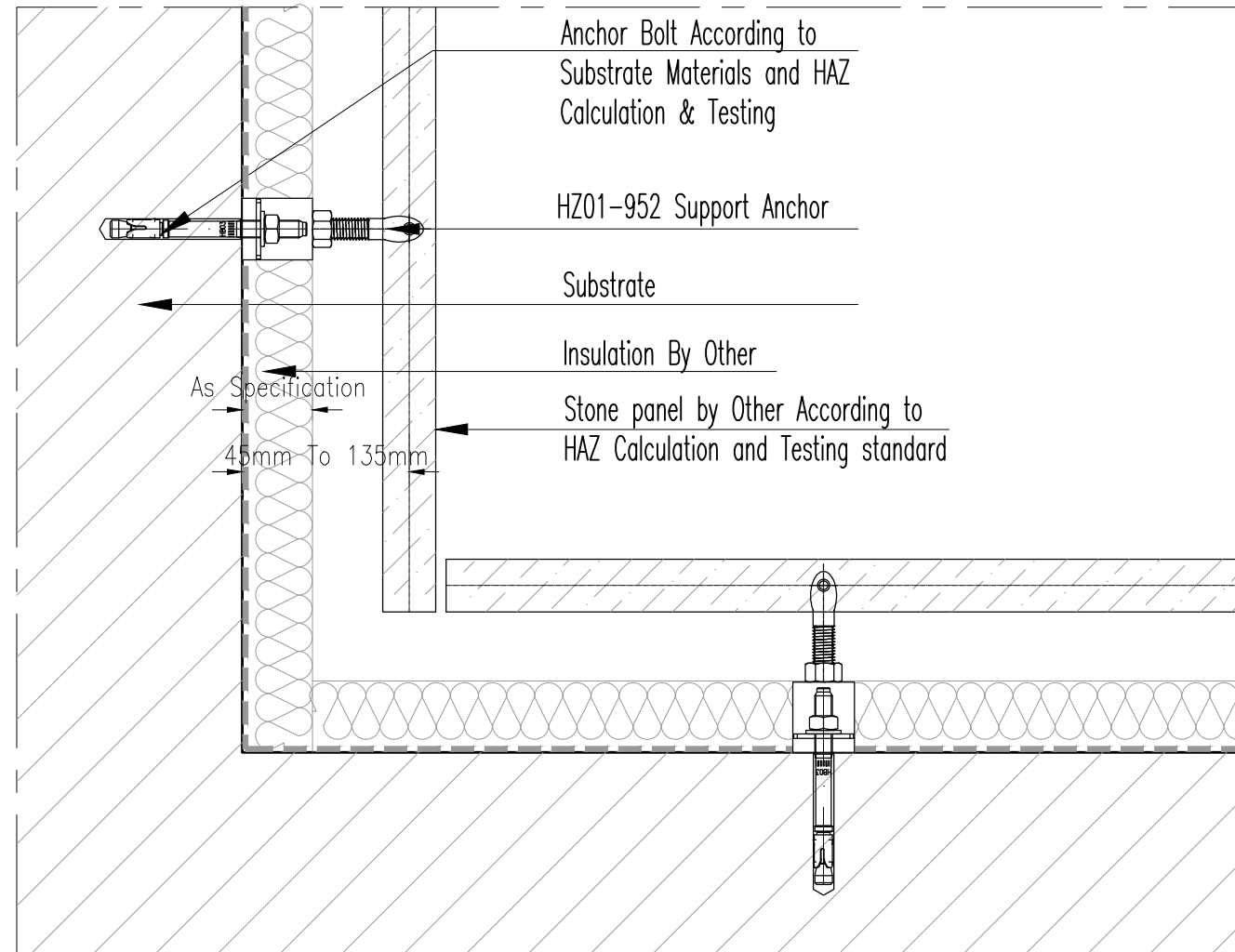
Isometric Scale 1:100



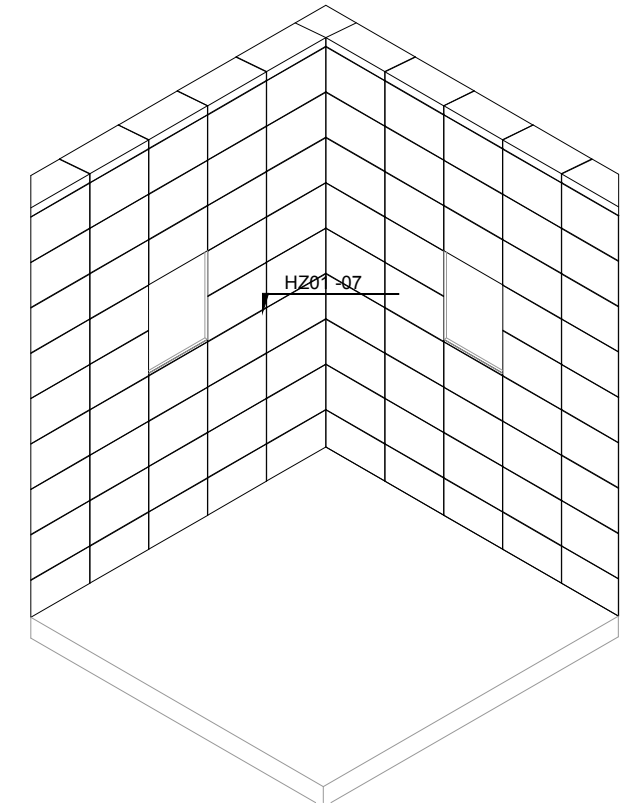
HAZ METAL Sanayi ve Ticaret A.S
 PO Box 241 31200 Iskenderun / Turkey
 Tel: +90 326 6262050 Faks: 6262045
 info@hazmetal.com / www.hazmetal.com.

Title :		Horizontal Joint Installation - External Corner Stone Cladding - Horizontal Section		
Drawing No.	HAZCD-HZ01 - ST-06			
Series	Concept Drawings - Natural Stone Fixing System - HZ01 Support Anchors			
Revision	01	scale	As Shown	Page : 6/13

HZ01



Horizontal section Scale 1:4



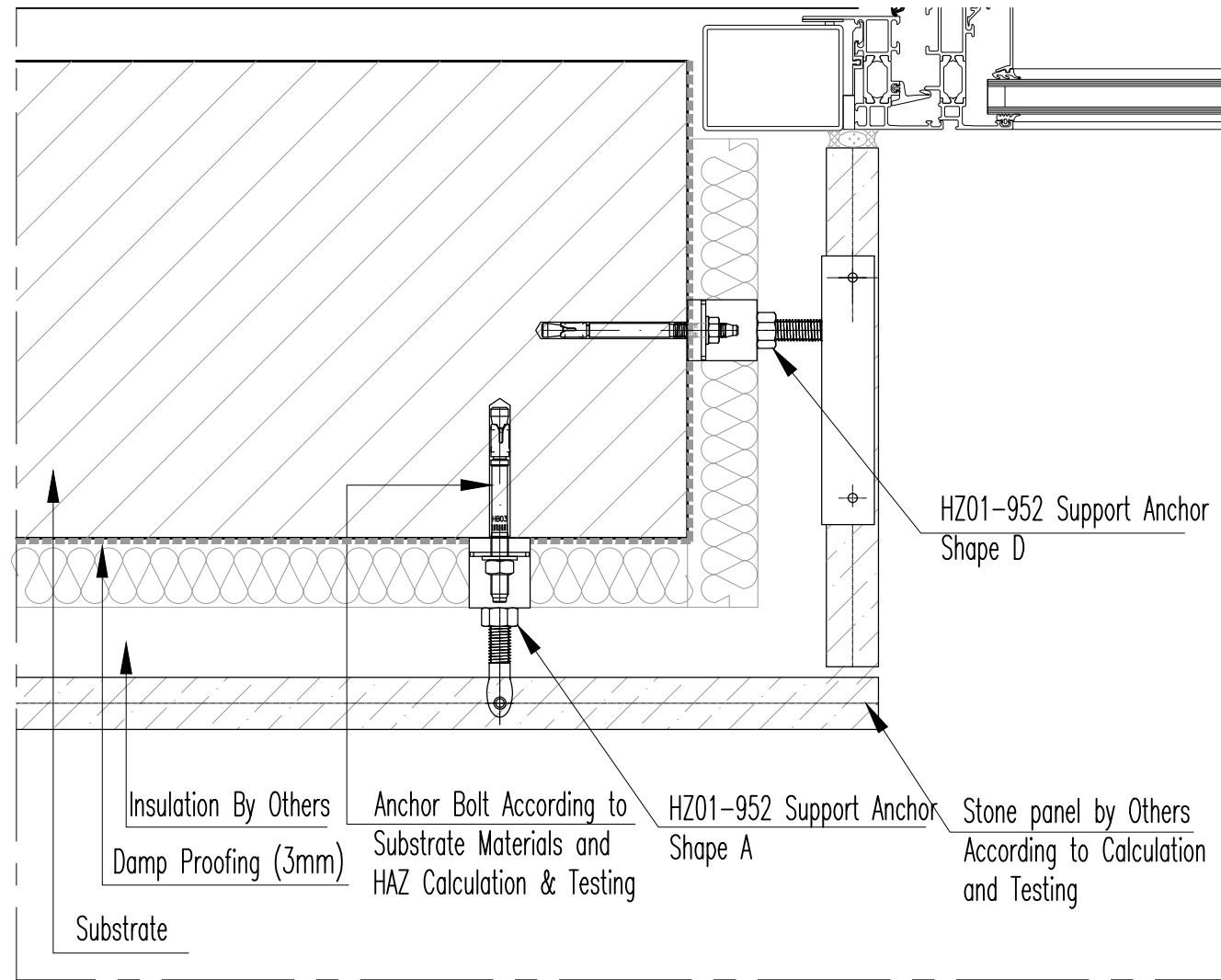
Isometric Scale 1:100



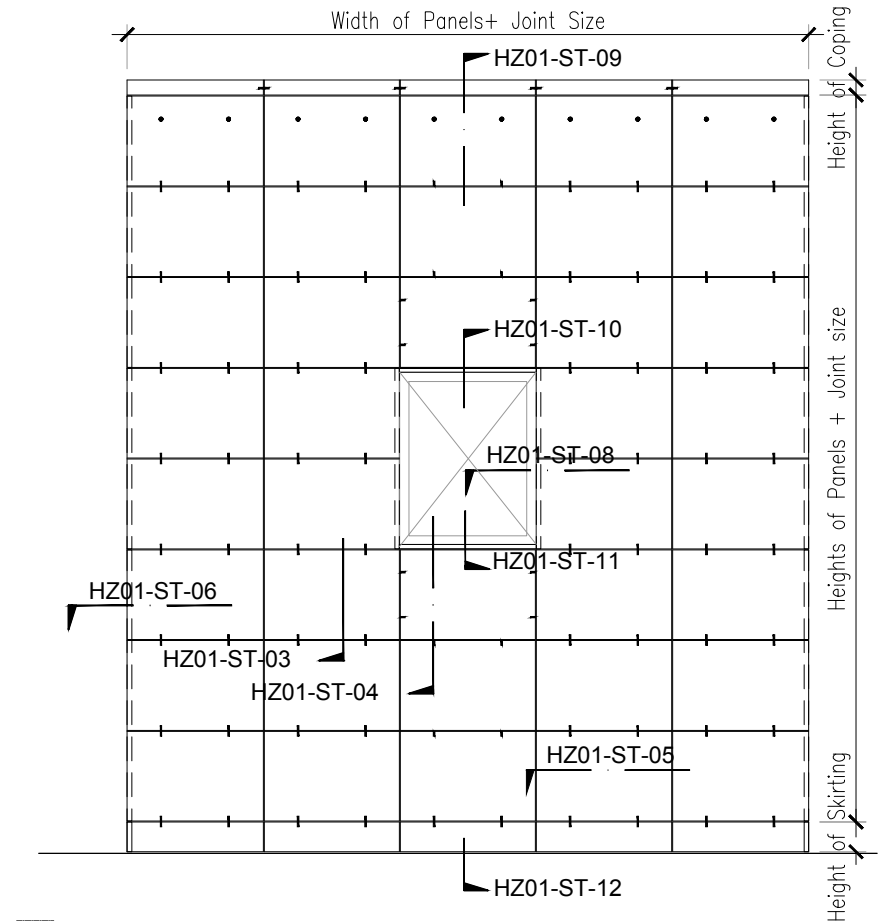
HAZ METAL Sanayi ve Ticaret A.S
 PO Box 241 31200 Iskenderun / Turkey
 Tel: +90 326 6262050 Faks: 6262045
 info@hazmetal.com / www.hazmetal.com.

Title :		Horizontal Joint Installation - Internal Corner Stone Cladding - Horizontal Section		
Drawing No.	HAZCD-HZ01 - ST-07			
Series	Concept Drawings - Natural Stone Fixing System - HZ01 Support Anchors			
Revision	01	scale	As Shown	Page : 7/13

HZ01



Horizontal section Scale 1:4



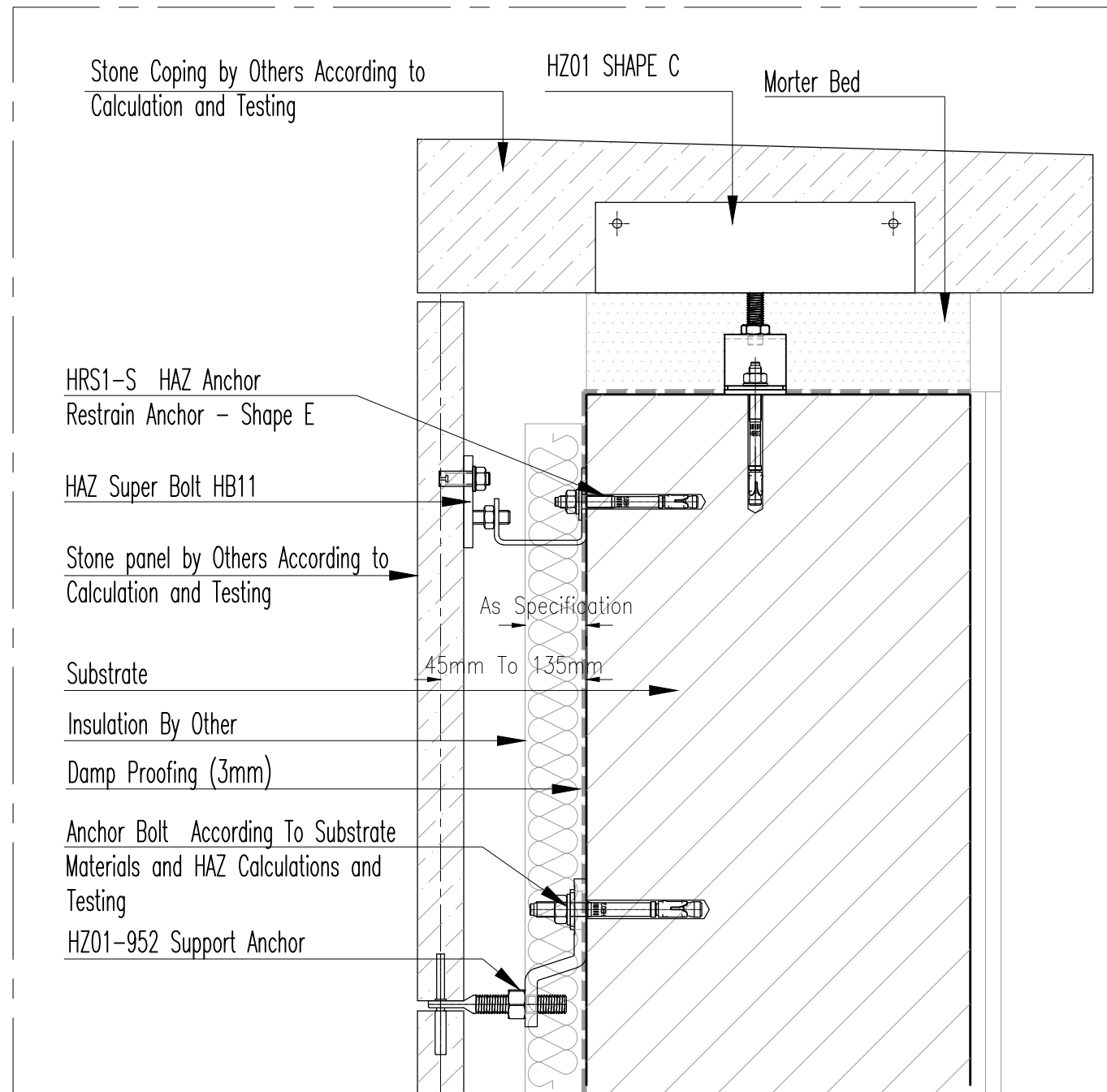
Elevation Scale 1:50



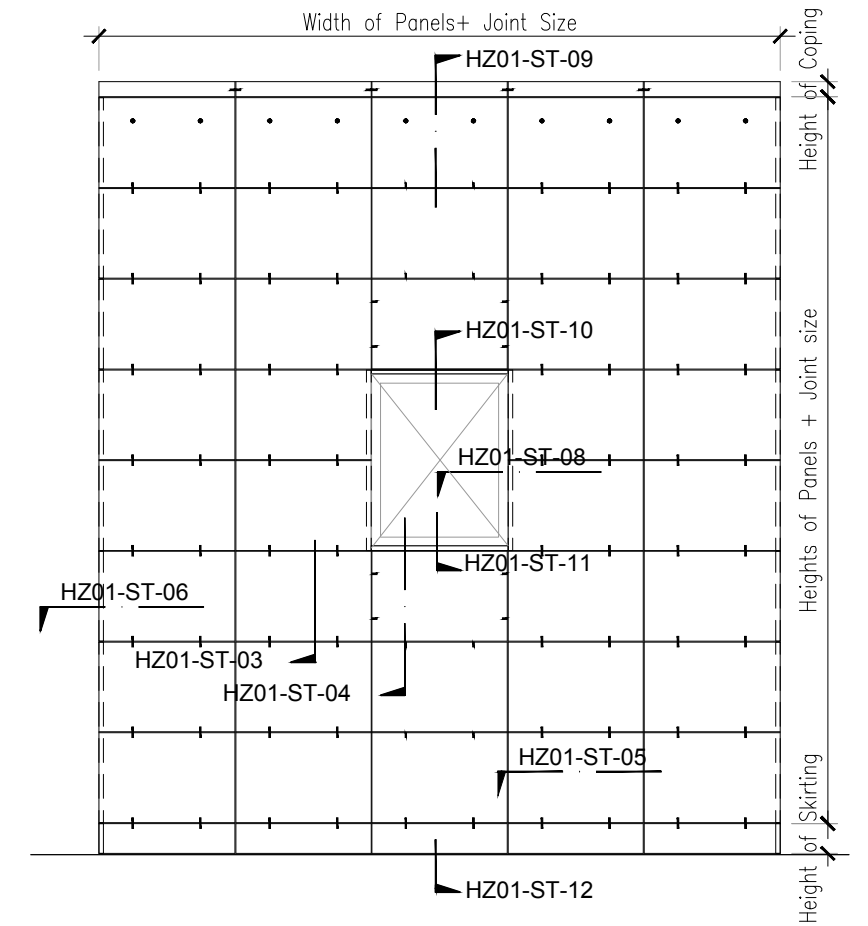
HAZ METAL Sanayi ve Ticaret A.S
 PO Box 241 31200 Iskenderun / Turkey
 Tel: +90 326 6262050 Faks: 6262045
 info@hazmetal.com / www.hazmetal.com.

Title :		Horizontal Joint Installation - Stone Reveal - Horizontal Section		
Drawing No.	HAZCD-HZ01 - ST-08			
Series	Concept Drawings - Natural Stone Fixing System - HZ01 Support Anchors			
Revision	01	scale	As Shown	Page : 8/13

HZ01



Vertical section Scale 1:4



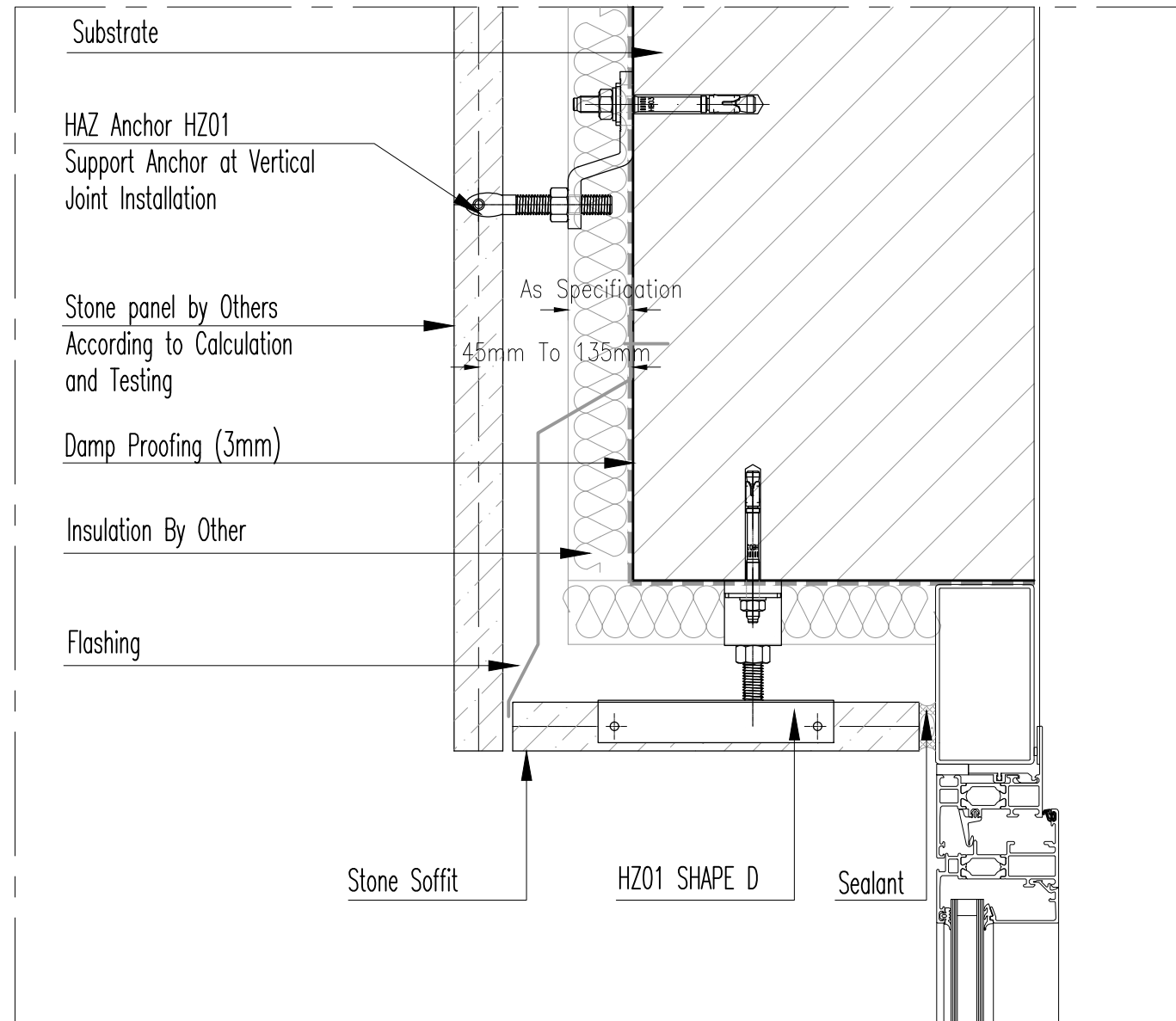
Elevation Scale 1:50



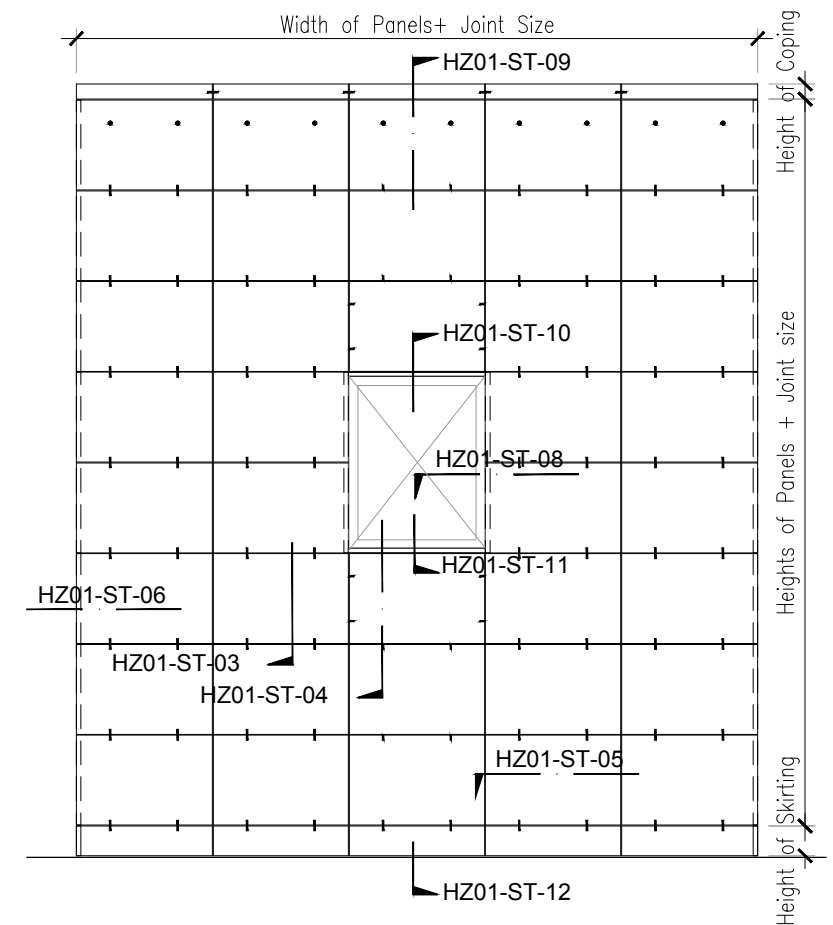
HAZ METAL Sanayi ve Ticaret A.S
 PO Box 241 31200 Iskenderun / Turkey
 Tel: +90 326 6262050 Faks: 6262045
 info@hazmetal.com / www.hazmetal.com.

Title :		Horizontal Joint Installation - Stone Coping - Vertical Section		
Drawing No.	HAZCD-HZ01 - ST-09			
Series	Concept Drawings - Natural Stone Fixing System - HZ01 Support Anchors			
Revision	01	scale	As Shown	Page : 9/13

HZ01



Vertical section Scale 1:4



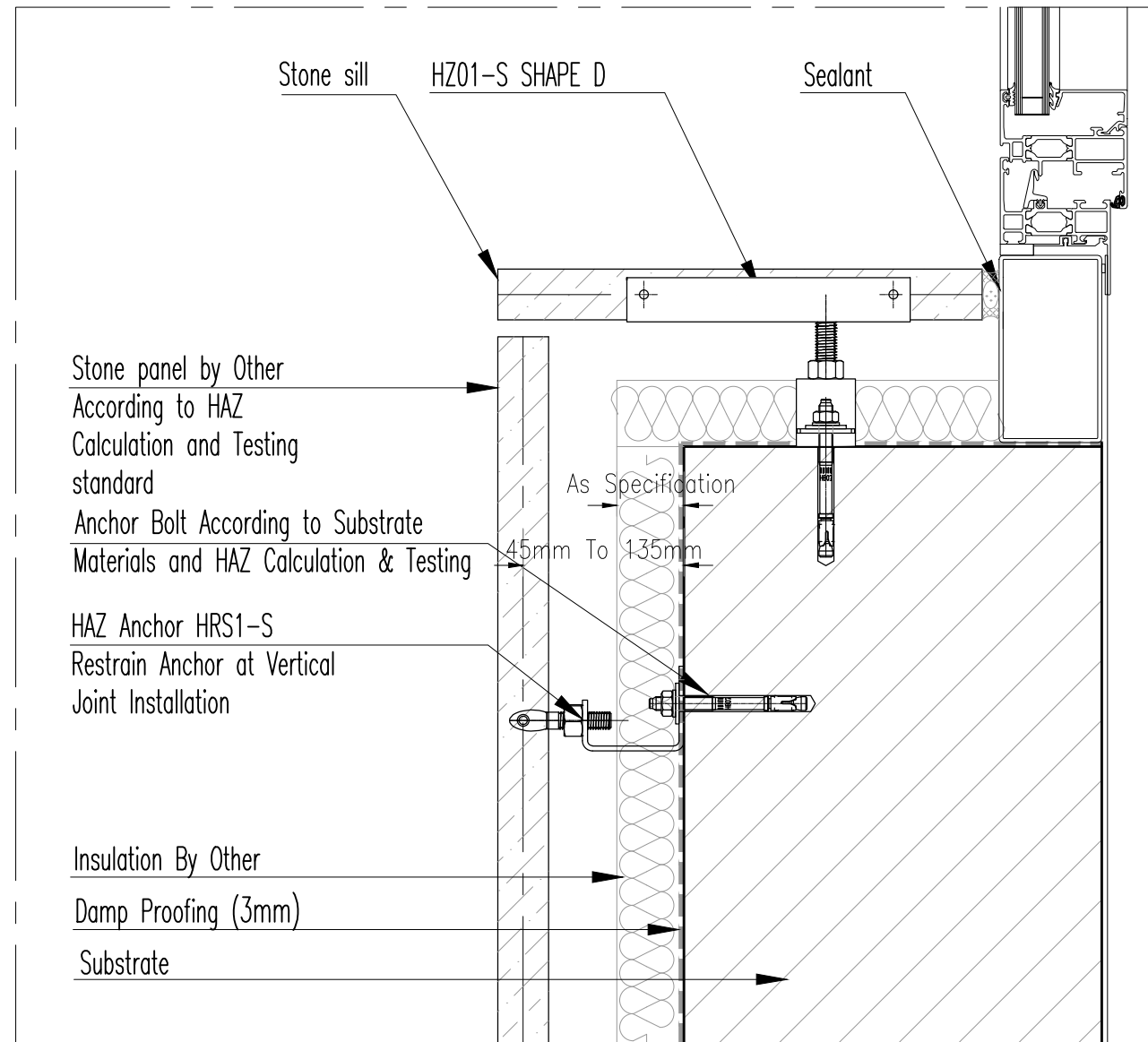
Elevation Scale 1:50



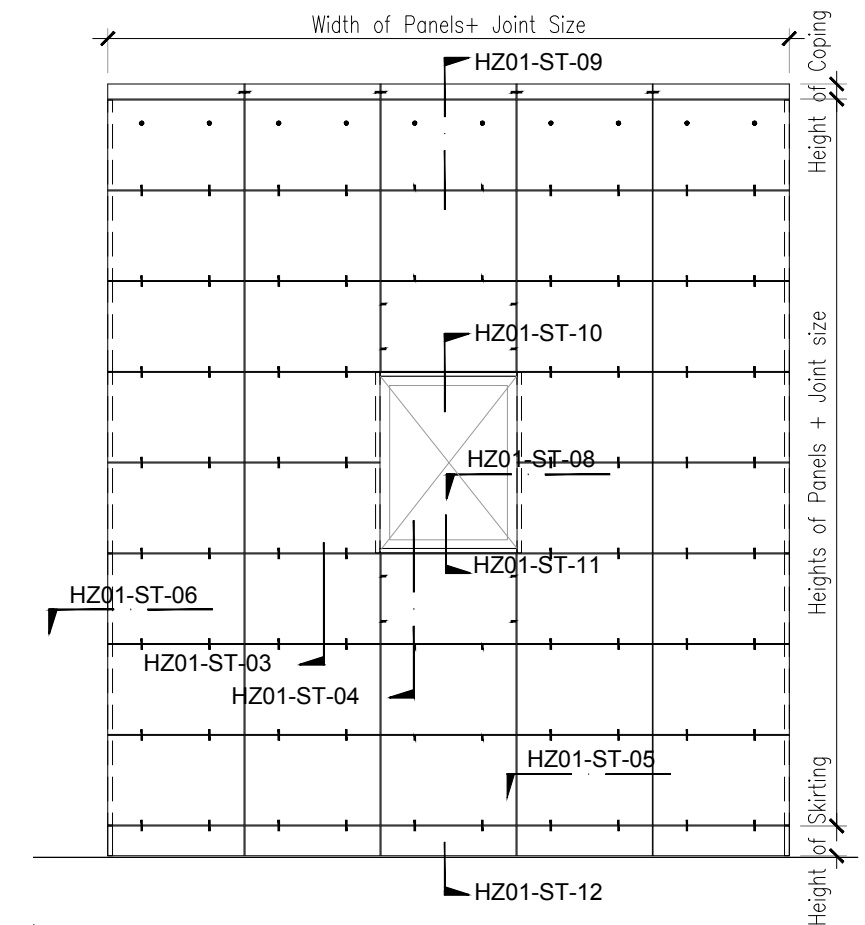
HAZ METAL Sanayi ve Ticaret A.S
 PO Box 241 31200 Iskenderun / Turkey
 Tel: +90 326 6262050 Faks: 6262045
 info@hazmetal.com / www.hazmetal.com.

Title :		Horizontal Joint Installation - Stone Soffit - Vertical Section		
Drawing No.		HAZCD-HZ01 - ST-10		
Series		Concept Drawings - Natural Stone Fixing System - HZ01 Support Anchors		
Revision		01	scale	As Shown
Page :				10/13

HZ01



Vertical section Scale 1:4



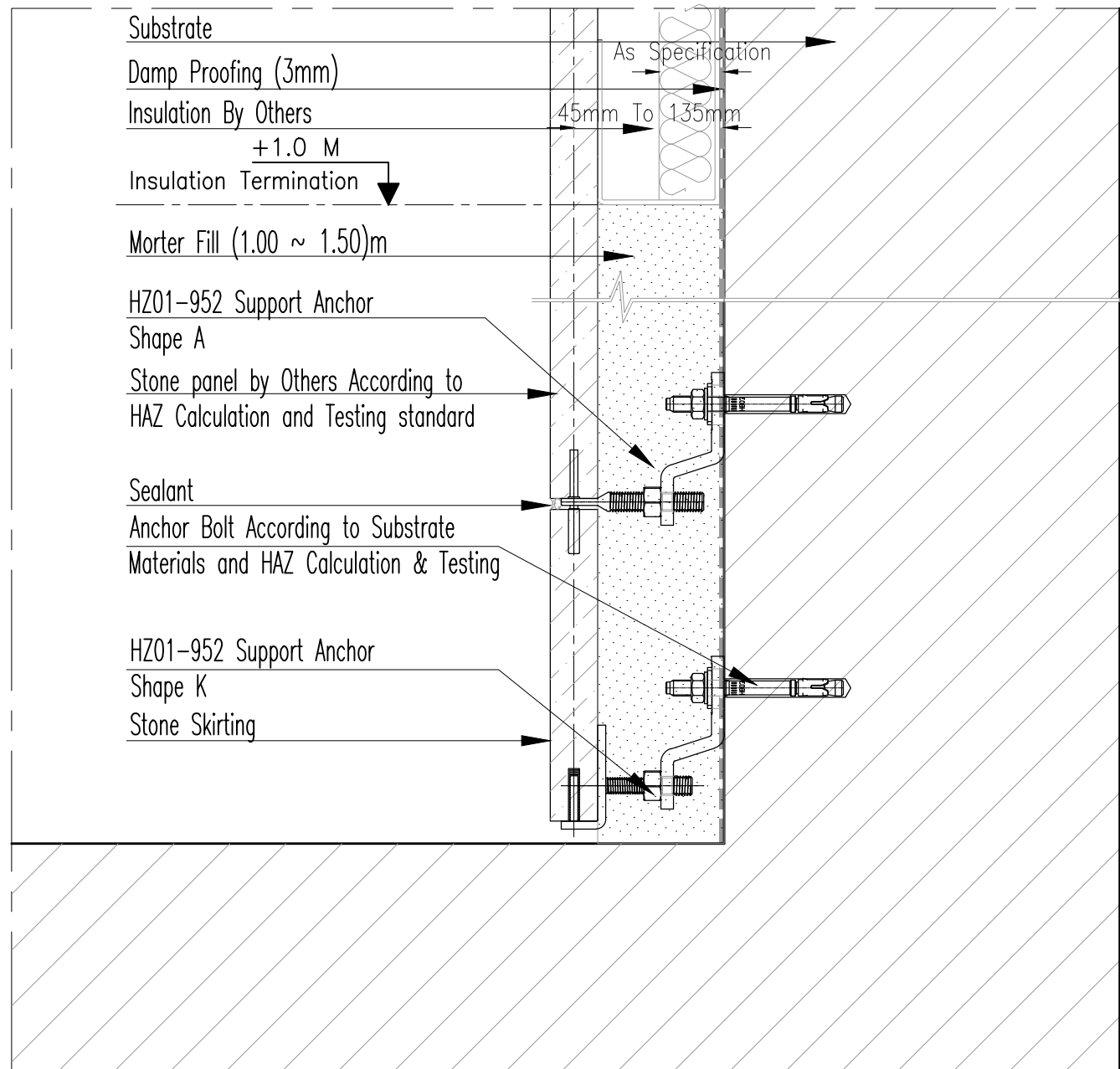
Elevation Scale 1:50



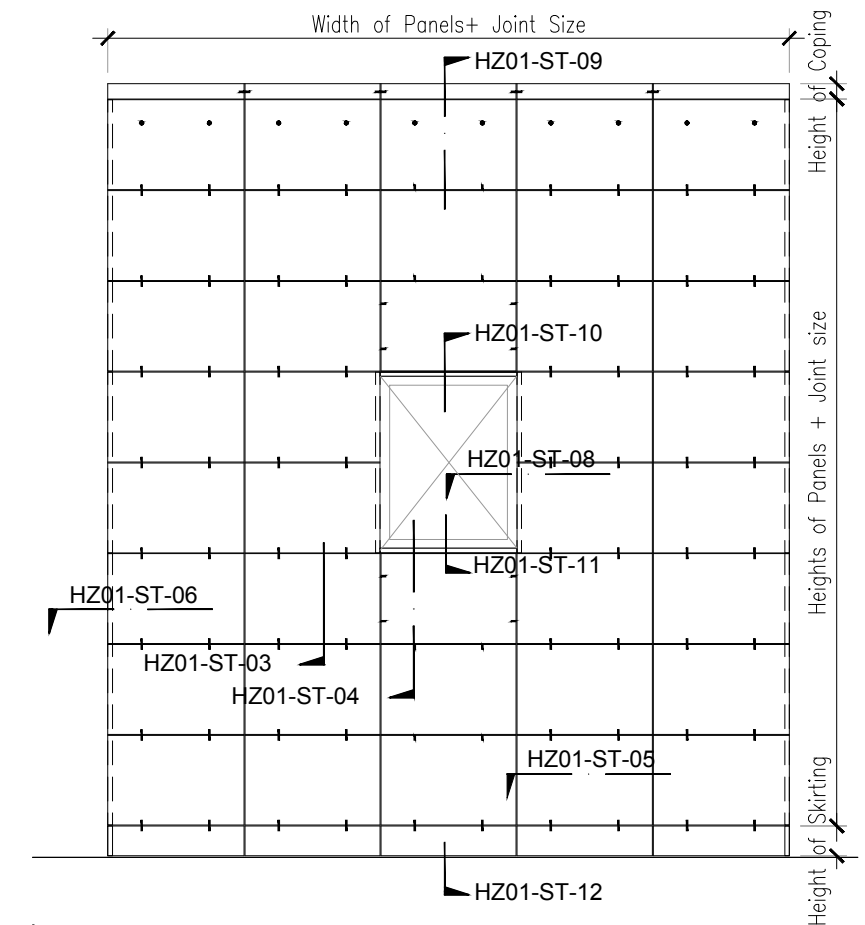
HAZ METAL Sanayi ve Ticaret A.S
 PO Box 241 31200 Iskenderun / Turkey
 Tel: +90 326 6262050 Faks: 6262045
 info@hazmetal.com / www.hazmetal.com.

Title :		Horizontal Joint Installation - Stone Sill - Vertical Section		
Drawing No.	HAZCD-HZ01 - ST-11			
Series	Concept Drawings - Natural Stone Fixing System - HZ01 Support Anchors			
Revision	01	scale	As Shown	Page : 11/13

HZ01



Vertical section Scale 1:4



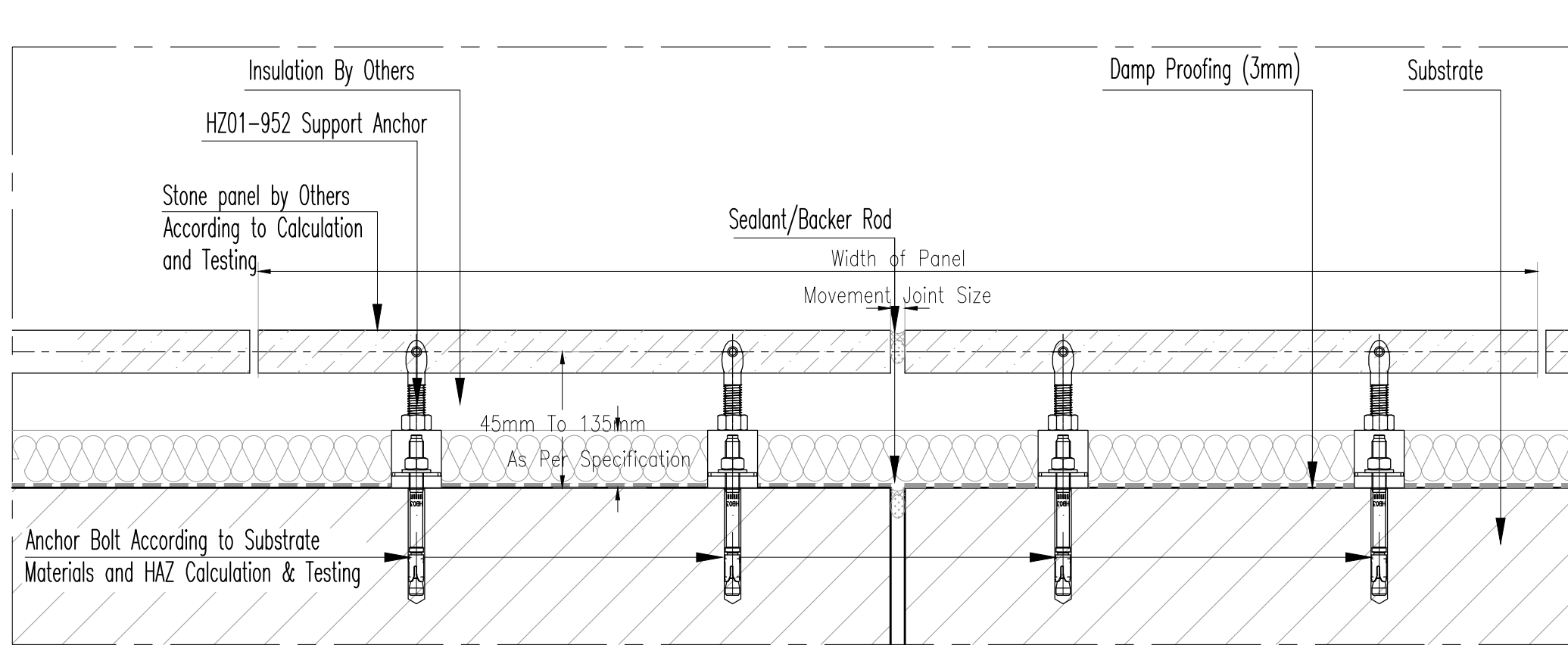
Elevation Scale 1:50



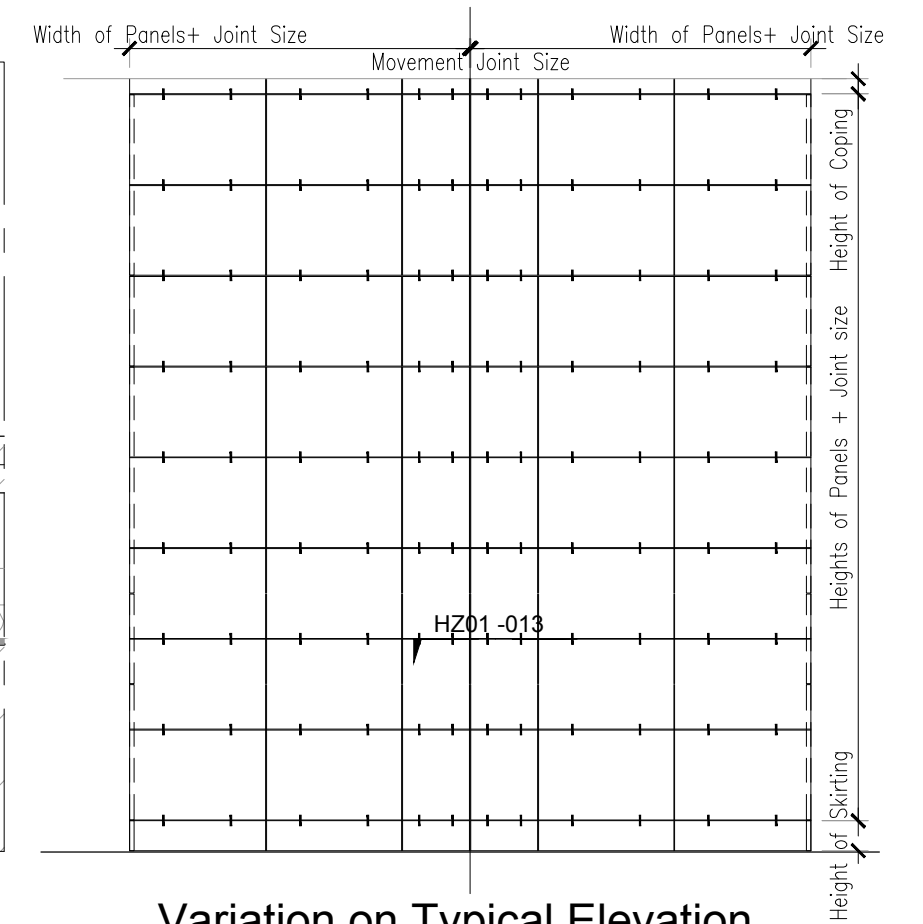
HAZ METAL Sanayi ve Ticaret A.S
 PO Box 241 31200 Iskenderun / Turkey
 Tel: +90 326 6262050 Faks: 6262045
 info@hazmetal.com / www.hazmetal.com.

Title :		Horizontal Joint Installation - Stone Skirting - Vertical Section		
Drawing No.		HAZCD-HZ01 - ST-12		
Series		Concept Drawings - Natural Stone Fixing System - HZ01 Support Anchors		
Revision		01	scale	As Shown
Page :				12/13

HZ01



Horizontal section Scale 1:4



Variation on Typical Elevation Scale 1:50



HAZ METAL Sanayi ve Ticaret A.S
 PO Box 241 31200 Iskenderun / Turkey
 Tel: +90 326 6262050 Faks: 6262045
 info@hazmetal.com / www.hazmetal.com.

Title :		Horizontal Joint Installation - Typical Stone Claddings - Movement Joint - Horizontal Section		
Drawing No.	HAZCD-HZ01 - ST-13			
Series	Concept Drawings - Natural Stone Fixing System - HZ01 Support Anchors			
Revision	01	scale	As Shown	Page : 13/13